



US00D910115S

(12) **United States Design Patent** (10) **Patent No.:** **US D910,115 S**
Esposito (45) **Date of Patent:** **** Feb. 9, 2021**

(54) **TOSS GAME**

(71) Applicant: **Anthony Esposito**, Sparta, NJ (US)

(72) Inventor: **Anthony Esposito**, Sparta, NJ (US)

(**) Term: **15 Years**

(21) Appl. No.: **29/679,179**

(22) Filed: **Feb. 2, 2019**

(51) **LOC (13) Cl.** **21-01**

(52) **U.S. Cl.**

USPC **D21/303**

(58) **Field of Classification Search**

USPC D21/300–307, 319, 335, 342, 386, 699,
D21/702, 705, 789, 790, 791; D20/16,
D20/21; D6/301, 310–312, 317,
D6/319–322, 328, 655.18, 675.5, 685,
D6/688.15, 693.1, 695.4, 696.3, 708,
D6/708.16, 709, 709.02, 716.1; D23/214,
D23/221, 238, 249, 252, 259, 263, 264,
D23/265, 266, 386; 362/183, 184
CPC ... A63B 67/06; A63B 2067/063; A63B 63/00;
A63B 63/08; A63B 71/022; A63B
67/002; A63B 59/30; F21V 33/008

See application file for complete search history.

(56) **References Cited**

U.S. PATENT DOCUMENTS

D110,225 S * 6/1938 Schutt D21/702
2,147,502 A * 2/1939 Savage A63F 9/0204
473/588
D258,366 S * 2/1981 Ward D21/303
D307,616 S * 5/1990 Kelly D21/702
D440,613 S * 4/2001 Davis D21/702
6,338,686 B1 * 1/2002 King A63B 63/083
473/415
8,480,402 B2 * 7/2013 Pecherski A63F 9/06
434/258
D718,389 S * 11/2014 Pillot D21/302

D754,795 S * 4/2016 Kopytko D21/303
D773,570 S * 12/2016 Pasquale D21/702
2011/0089640 A1 * 4/2011 Pecherski A63F 9/06
273/400
2019/0224545 A1 * 7/2019 Torgerson A63B 63/08

OTHER PUBLICATIONS

“B3 Blitz, Bean Bag” posted, Jul. 25, 2018[online], [retrieved Dec. 18, 2019], from internet: https://www.amazon.com/Blitz-Indoor-Party-Adults-Family/product-reviews/B07CZMHGJX/ref=cm_cr_ar_p_d_viewopt_srt?ie=UTF8&reviewerType=all_reviews&sortBy=recent&pageNumber=1.*

“Toysery Bean Bag” posted, Oct. 10, 2019[online], [retrieved Dec. 18, 2019], from internet: https://www.amazon.com/Toysery-Bean-Bag-Toss-Game/dp/B07WHF9DCS/ref=cm_cr_ar_p_d_product_sims?ie=UTF8#customerReviews.*

* cited by examiner

Primary Examiner — Sandra Snapp
Assistant Examiner — Mehri Bajoul
(74) *Attorney, Agent, or Firm* — Kochka Law, LLC;
Michael P. Kochka, Esq.

(57) **CLAIM**

The ornamental design for a toss game, as shown and described.

DESCRIPTION

FIG. 1 is a perspective view of a toss game showing my new design;

FIG. 2 is a front view thereof;

FIG. 3 is a rear view thereof;

FIG. 4 is a right side view thereof;

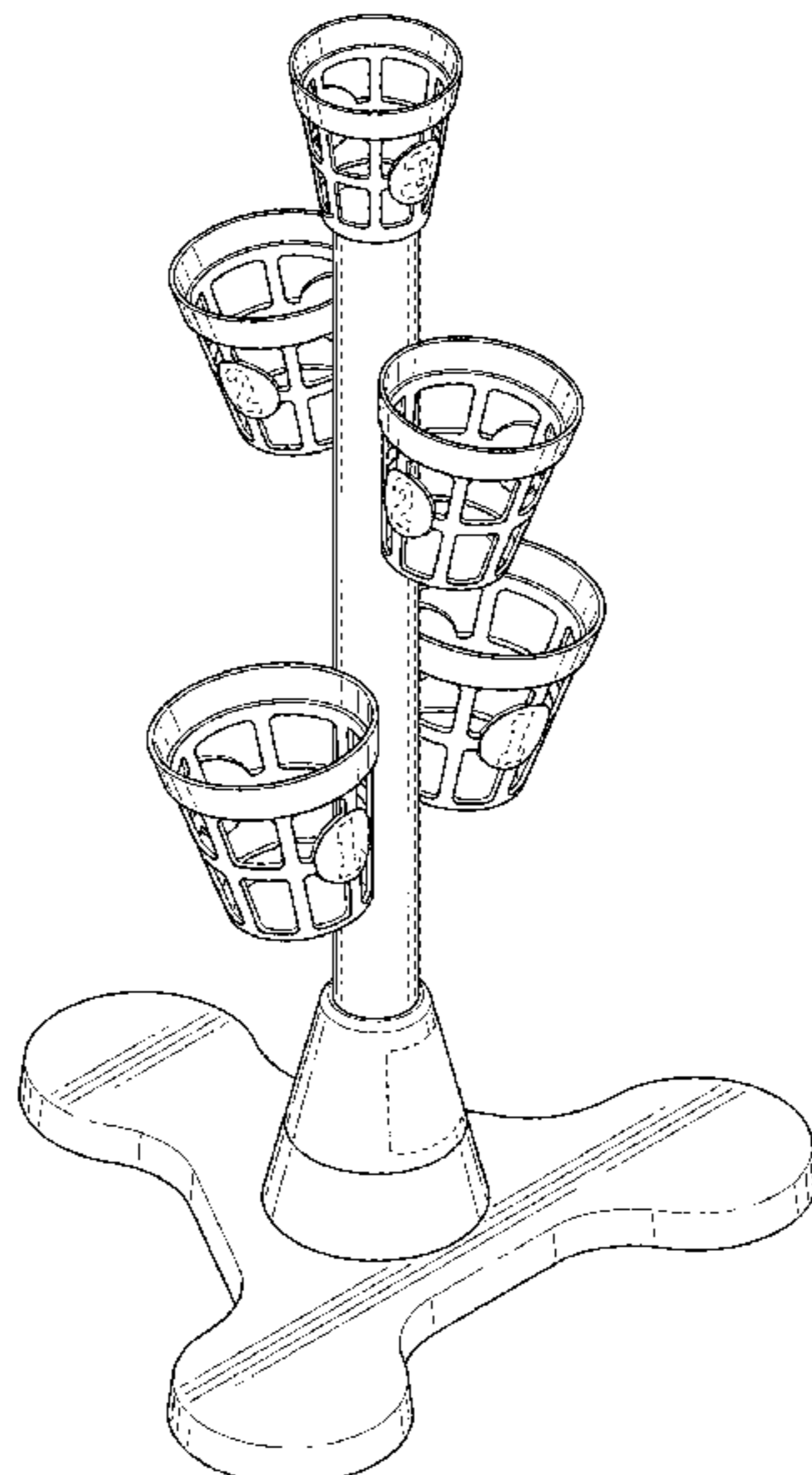
FIG. 5 is a left side view thereof;

FIG. 6 is a top view thereof; and,

FIG. 7 is a bottom view thereof.

The broken lines of even length shown in the drawings illustrate portions of the toss game that form no part of the claimed design.

1 Claim, 6 Drawing Sheets



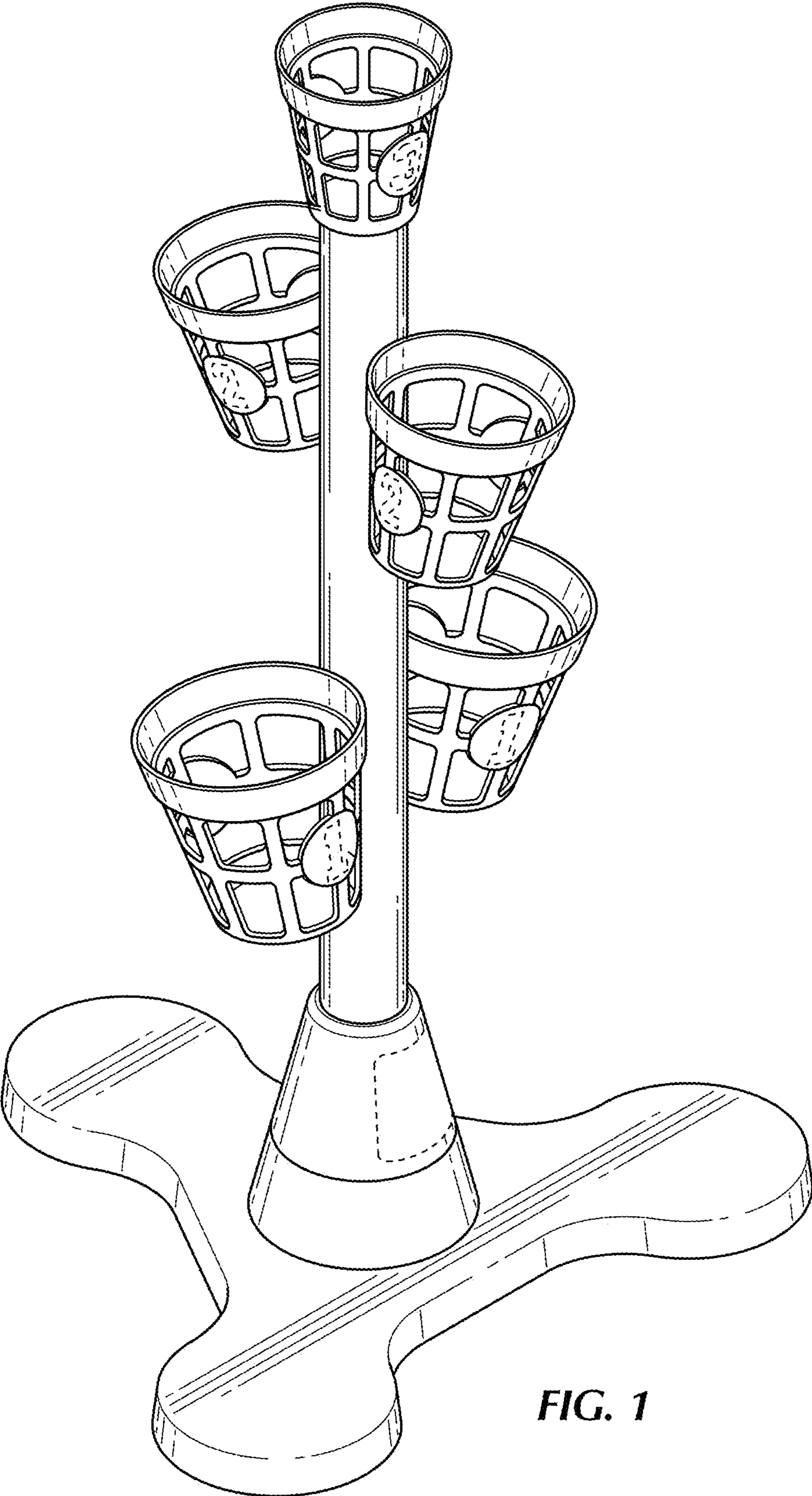


FIG. 1

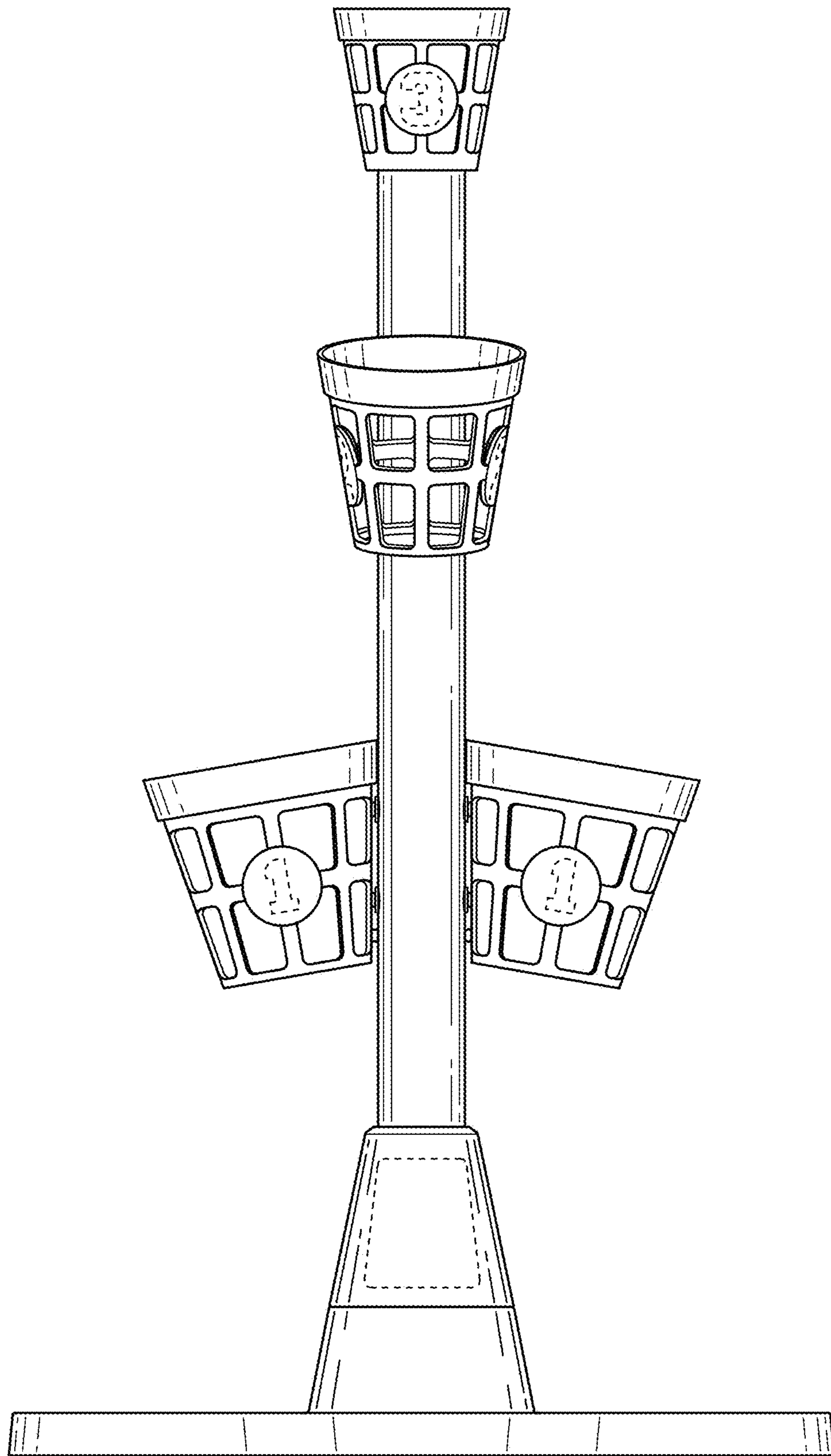


FIG. 2

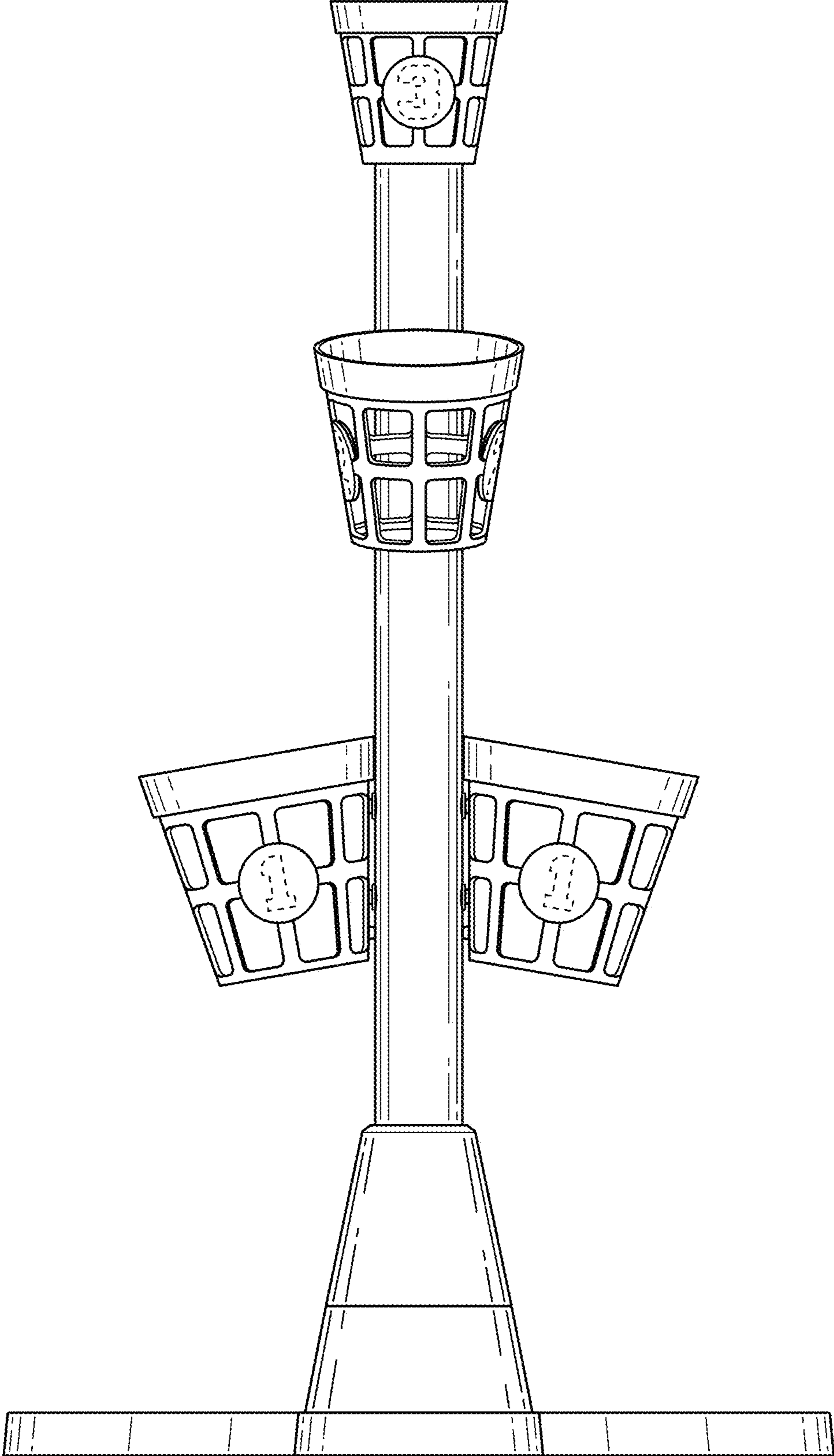


FIG. 3

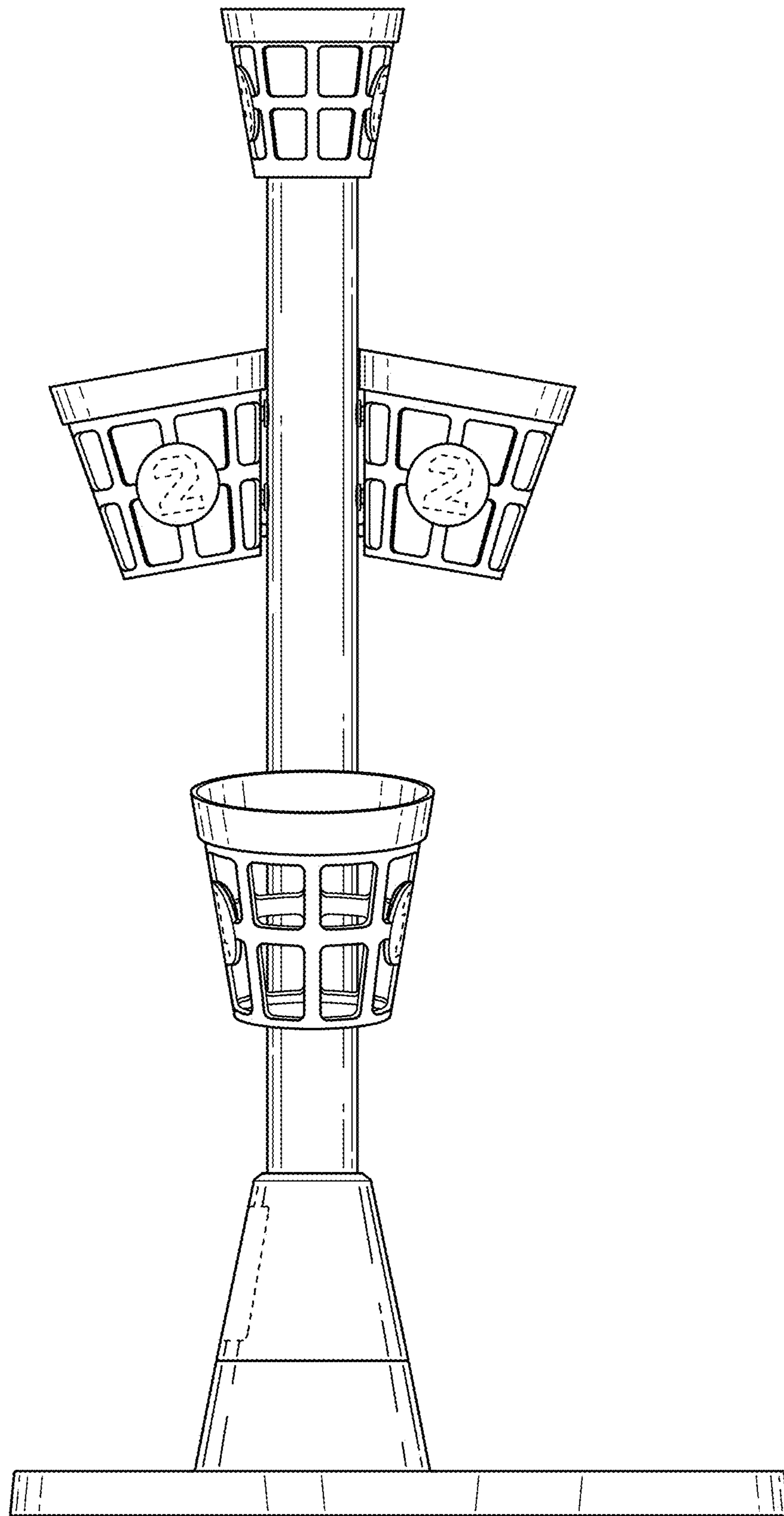


FIG. 4

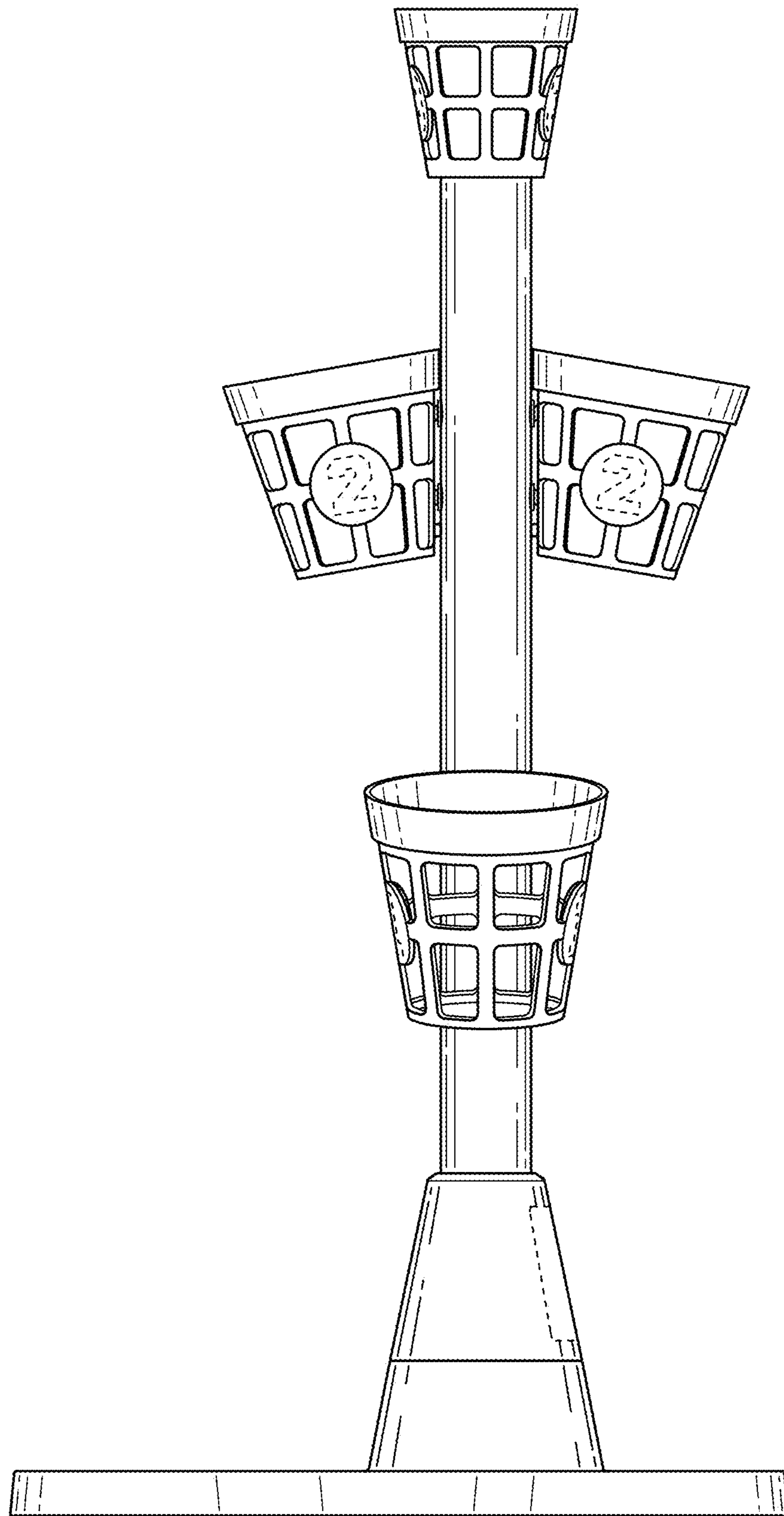


FIG. 5

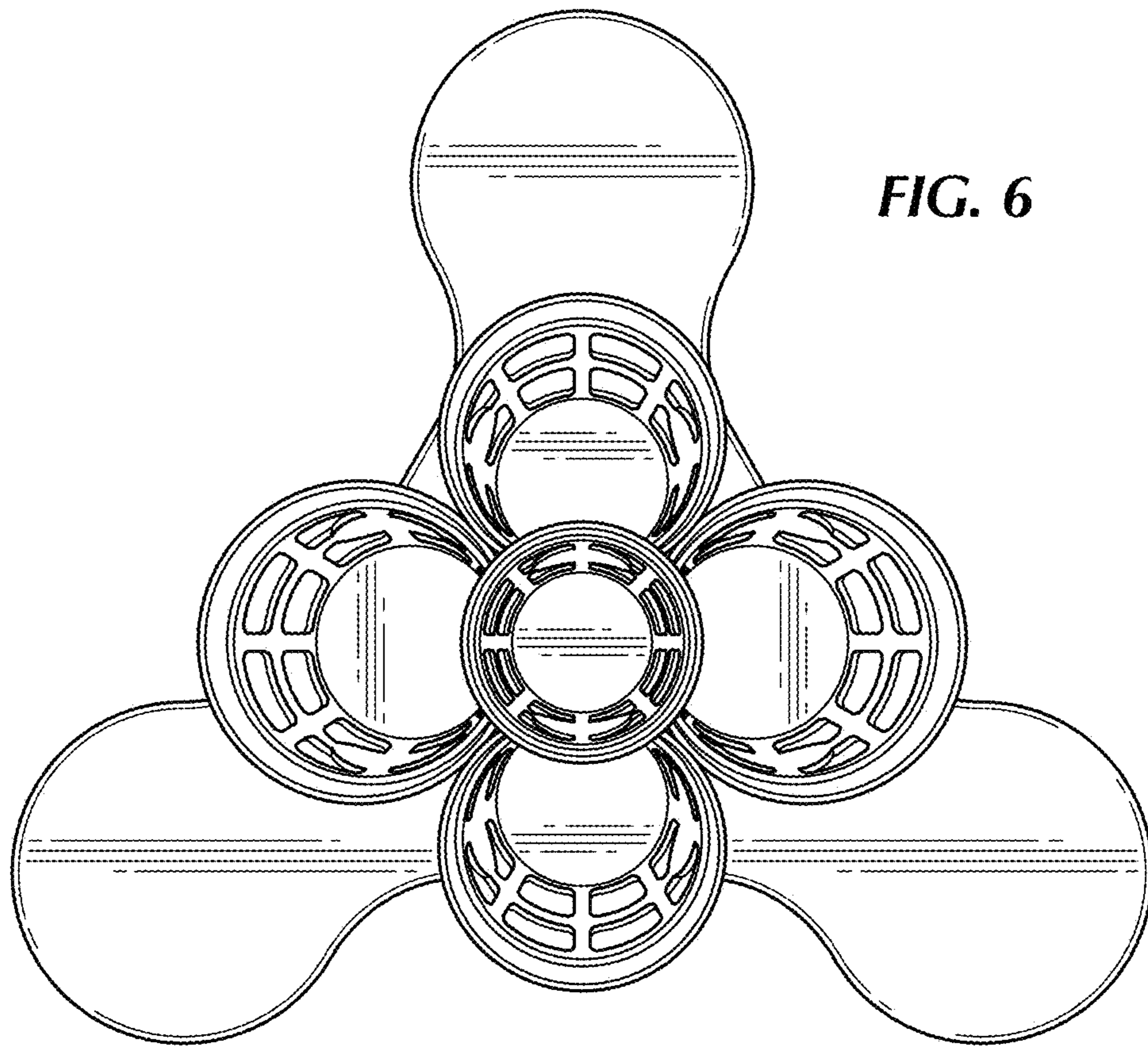


FIG. 6

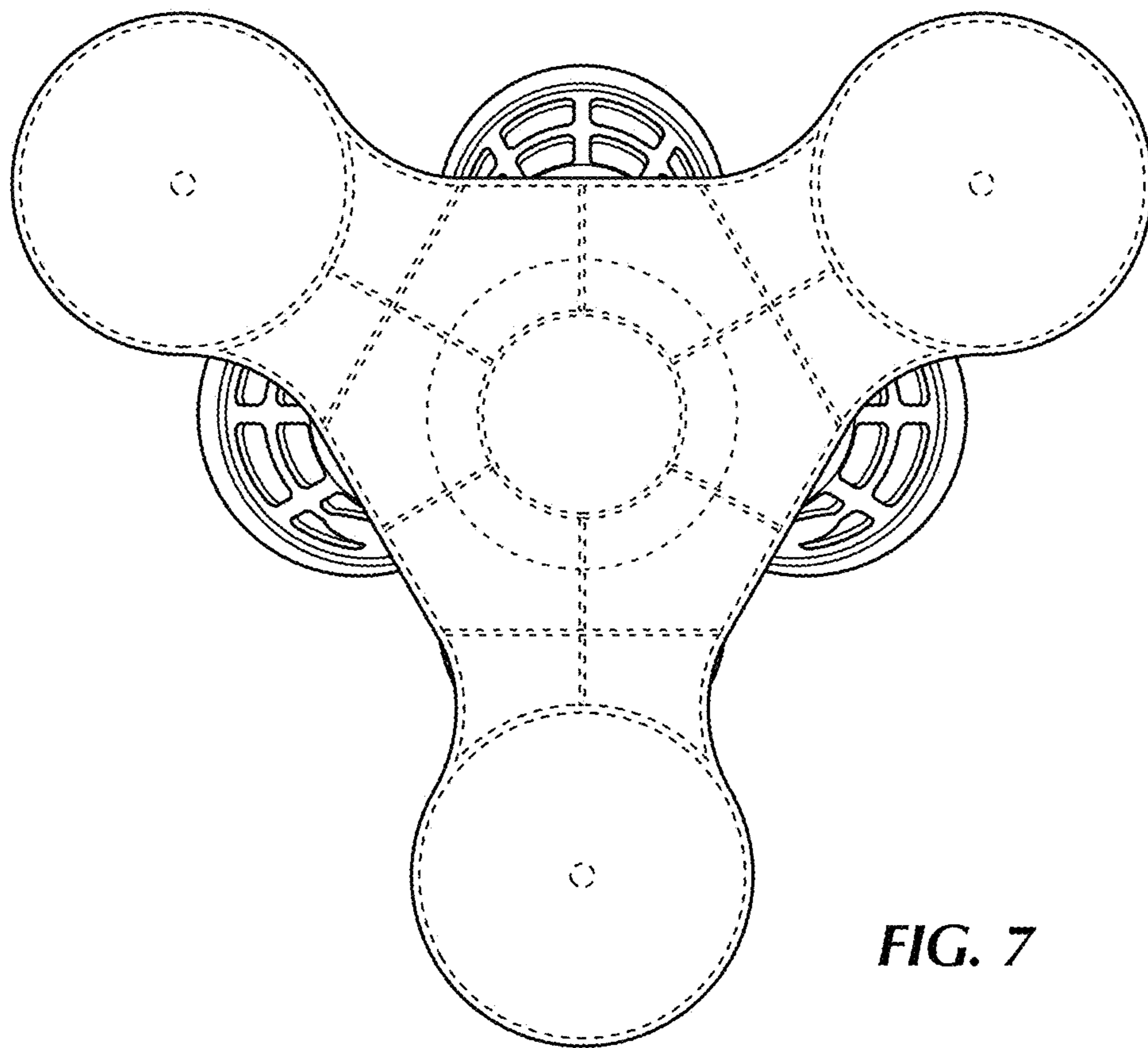


FIG. 7