



US00D910108S

(12) **United States Design Patent** (10) **Patent No.:** **US D910,108 S**
Yuan (45) **Date of Patent:** **** Feb. 9, 2021**

(54) **COLD SHOE FOR CAMERA** 9,016,961 B2 * 4/2015 Hulse F16M 13/02
396/420
(71) Applicant: **Shenzhen Leqi Network Technology** D752,677 S * 3/2016 Fliger D16/242
Co., Ltd, Shenzhen (CN) D768,755 S * 10/2016 Thomas D16/242
D798,367 S * 9/2017 Nakajima D16/242
(72) Inventor: **Xingxing Yuan, Shenzhen (CN)** D798,368 S * 9/2017 Nakajima D16/242
D798,370 S * 9/2017 Nakajima D16/245
D819,116 S * 5/2018 Paterson D16/242
(73) Assignee: **Shenzhen Leqi Network Technology** D847,800 S * 5/2019 Wengreen D14/238.1
Co., Ltd, Shenzhen (CN) D851,161 S * 6/2019 DiCarlo A42B 3/042
D16/242

(**) Term: **15 Years**

(Continued)

(21) Appl. No.: **29/688,729**

OTHER PUBLICATIONS

(22) Filed: **Apr. 24, 2019**

SmallRig 2260 Cold Shoe Mount Adapter with Safety Release.
[online] Retrieved Sep. 18, 2020 from URL: https://www.bhphotovideo.com/c/product/1494419-REG/smallrig_buc2260b_cold_shoe_mount_adapter.html.*

(30) **Foreign Application Priority Data**

(Continued)

Dec. 5, 2018 (CN) 2018 2 2049167

(51) **LOC (13) Cl.** **16-05**

(52) **U.S. Cl.**
USPC **D16/237**

Primary Examiner — Vy N Koenig
(74) *Attorney, Agent, or Firm* — Andrew C. Cheng

(58) **Field of Classification Search**
USPC D16/219, 237–250; D8/354, 355, 363,
D8/373, 382–383, 394–396; D14/224,
D14/229, 238, 251, 253, 447, 451, 457
CPC F16M 11/06–10; F16M 11/14; G02B
7/00–002; G03B 17/56; G03B
17/561–566; H04N 5/2253–2254
See application file for complete search history.

(57) **CLAIM**

The ornamental design for a cold shoe for camera, as shown and described.

DESCRIPTION

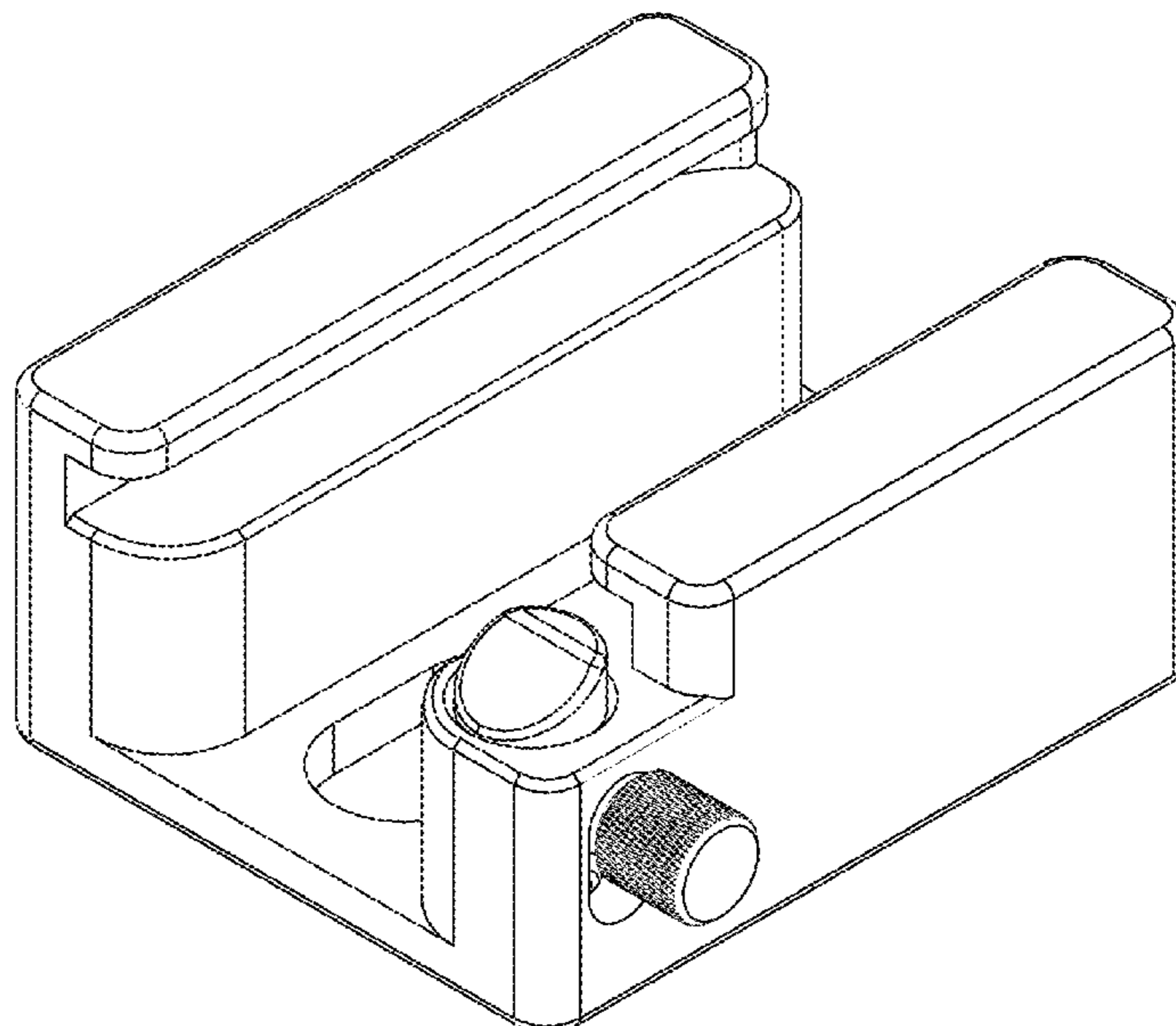
(56) **References Cited**

U.S. PATENT DOCUMENTS

D399,230 S * 10/1998 Tenne D16/245
6,196,504 B1 * 3/2001 Lemke F16M 11/041
248/187.1
7,077,582 B2 * 7/2006 Johnson F16M 11/041
396/428
D621,436 S * 8/2010 Chidester D16/245
D700,825 S * 3/2014 Furling D8/354

FIG. 1 is a front view of a cold shoe for camera according to the present design;
FIG. 2 is a rear view of the cold shoe for camera of FIG. 1;
FIG. 3 is a left view of the cold shoe for camera of FIG. 1;
FIG. 4 is a right view of the cold shoe for camera of FIG. 1;
FIG. 5 is a top view of the cold shoe for camera of FIG. 1;
FIG. 6 is a bottom view of the cold shoe for camera of FIG. 1; and,
FIG. 7 is a perspective view of the cold shoe for camera of FIG. 1.

1 Claim, 5 Drawing Sheets



(56)

References Cited

U.S. PATENT DOCUMENTS

D852,871 S * 7/2019 Wilson D16/242

OTHER PUBLICATIONS

Vova Camera Flash Hot Shoe Mount. [online] Retrieved Sep. 18, 2020 from URL: <https://www.vova.com/Camera-Flash-Hot-Shoe-Mount-Adapterexternal-Flash-Accessories-SN1597818547293184505422469-g26441101-m27902248>.*

* cited by examiner

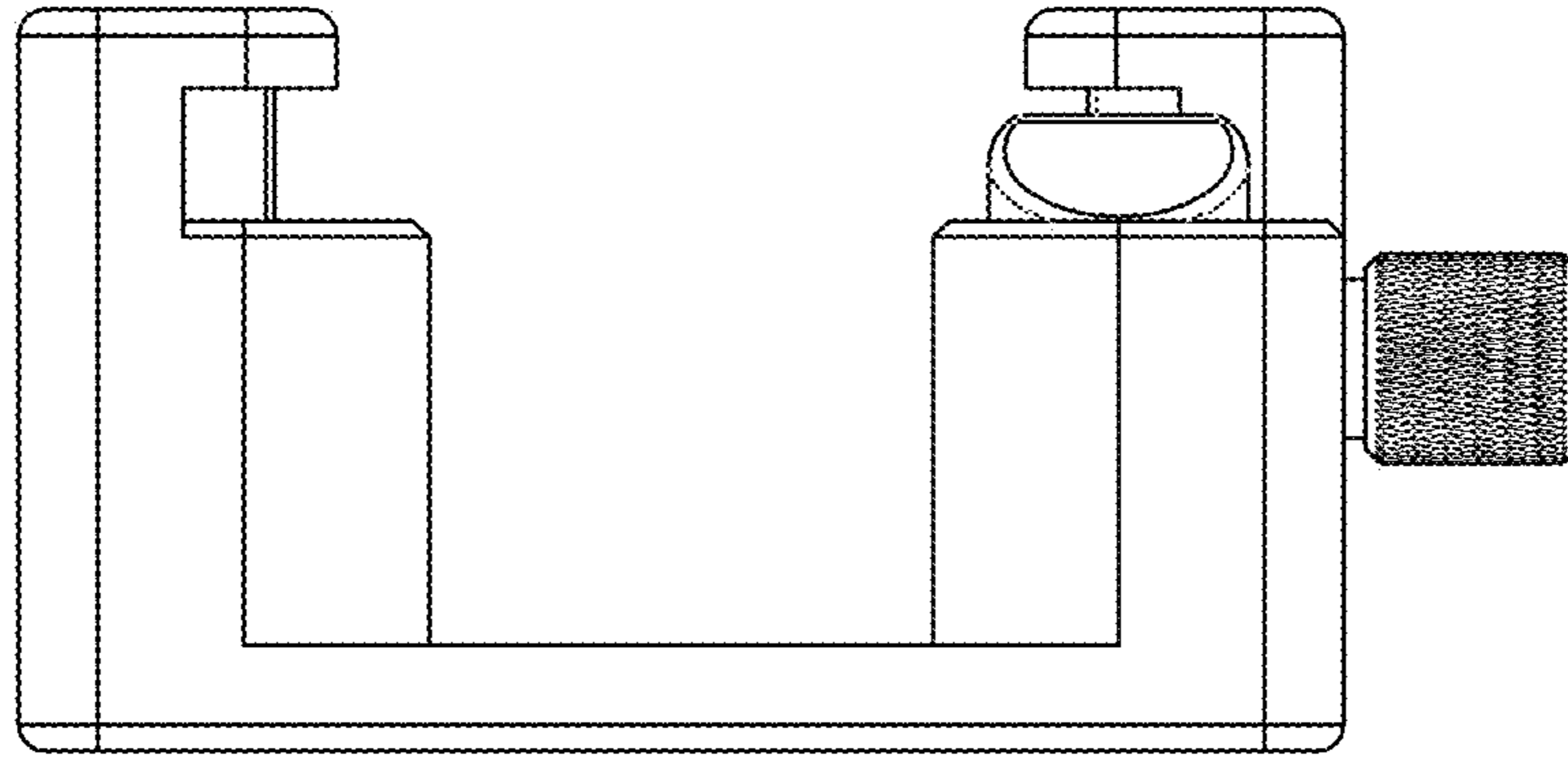


FIG. 1

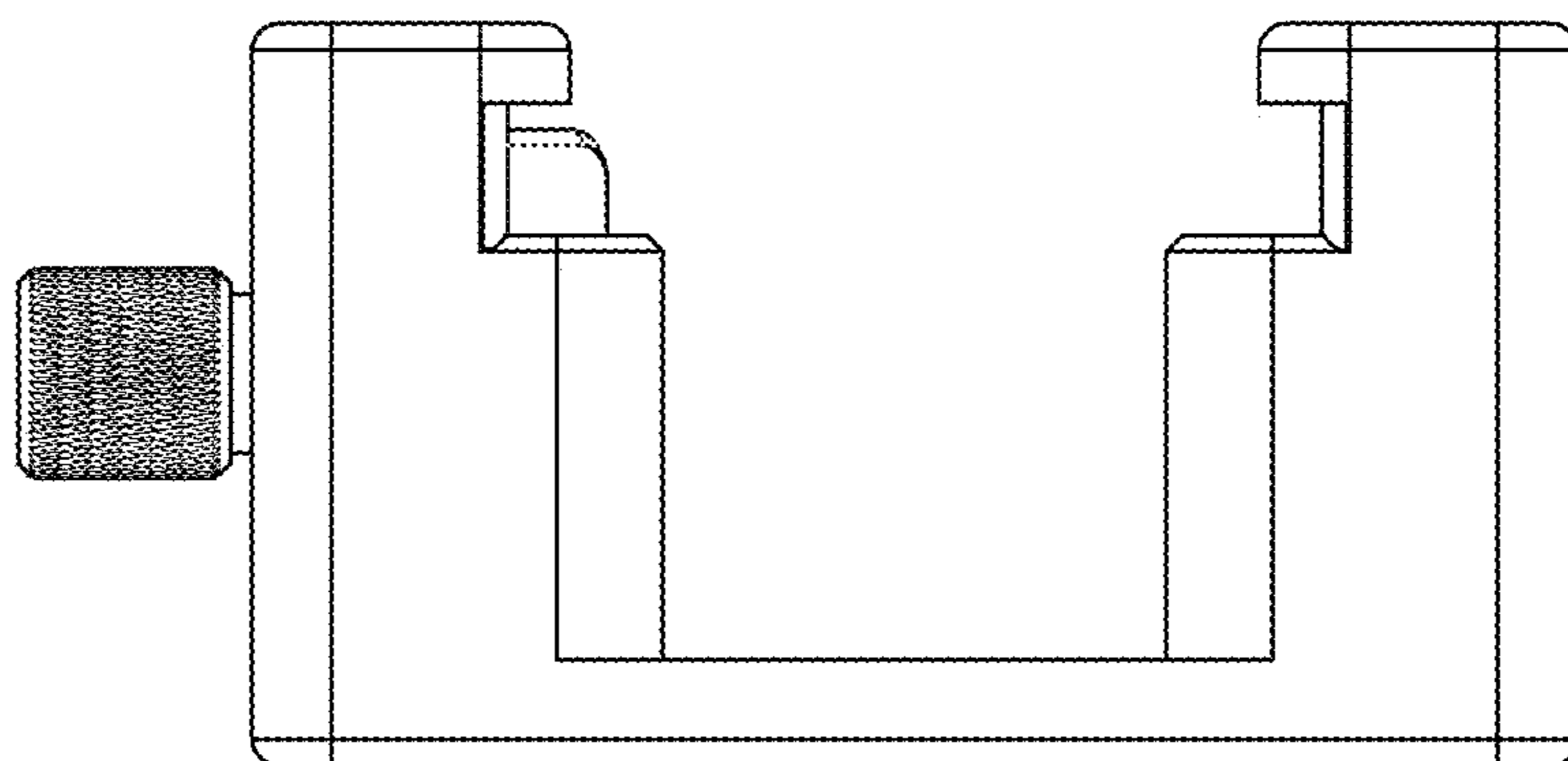


FIG. 2



FIG. 3

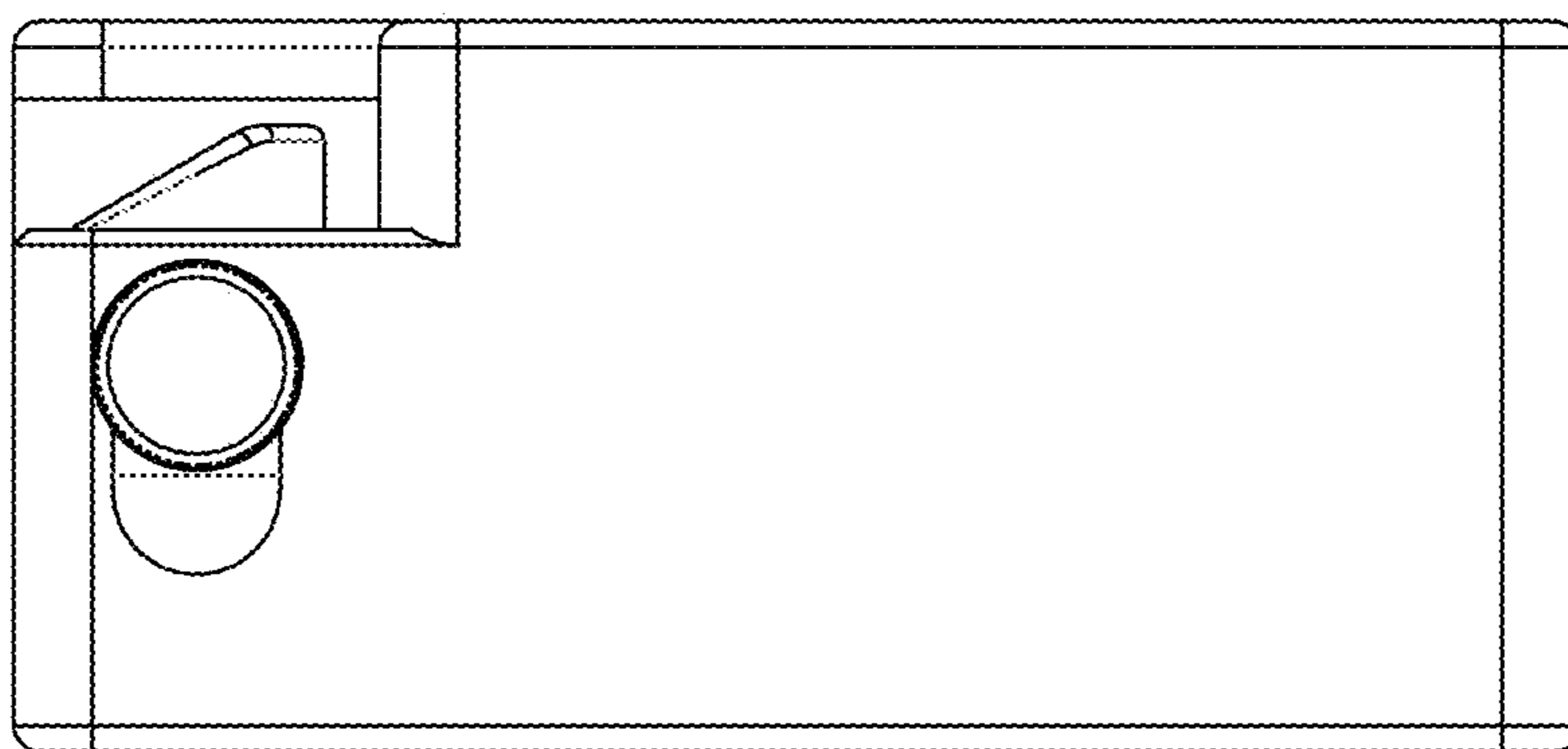


FIG. 4

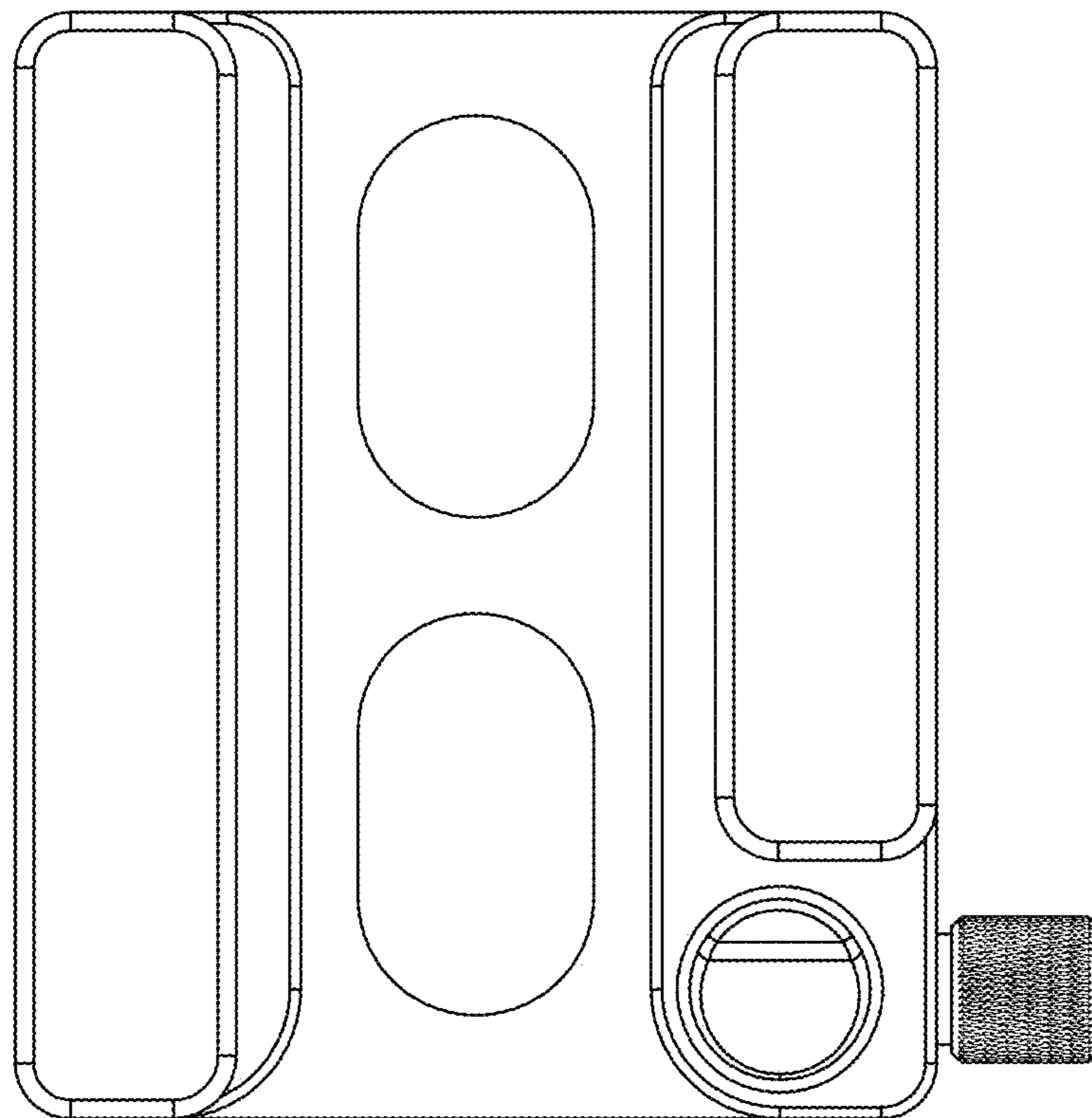


FIG. 5

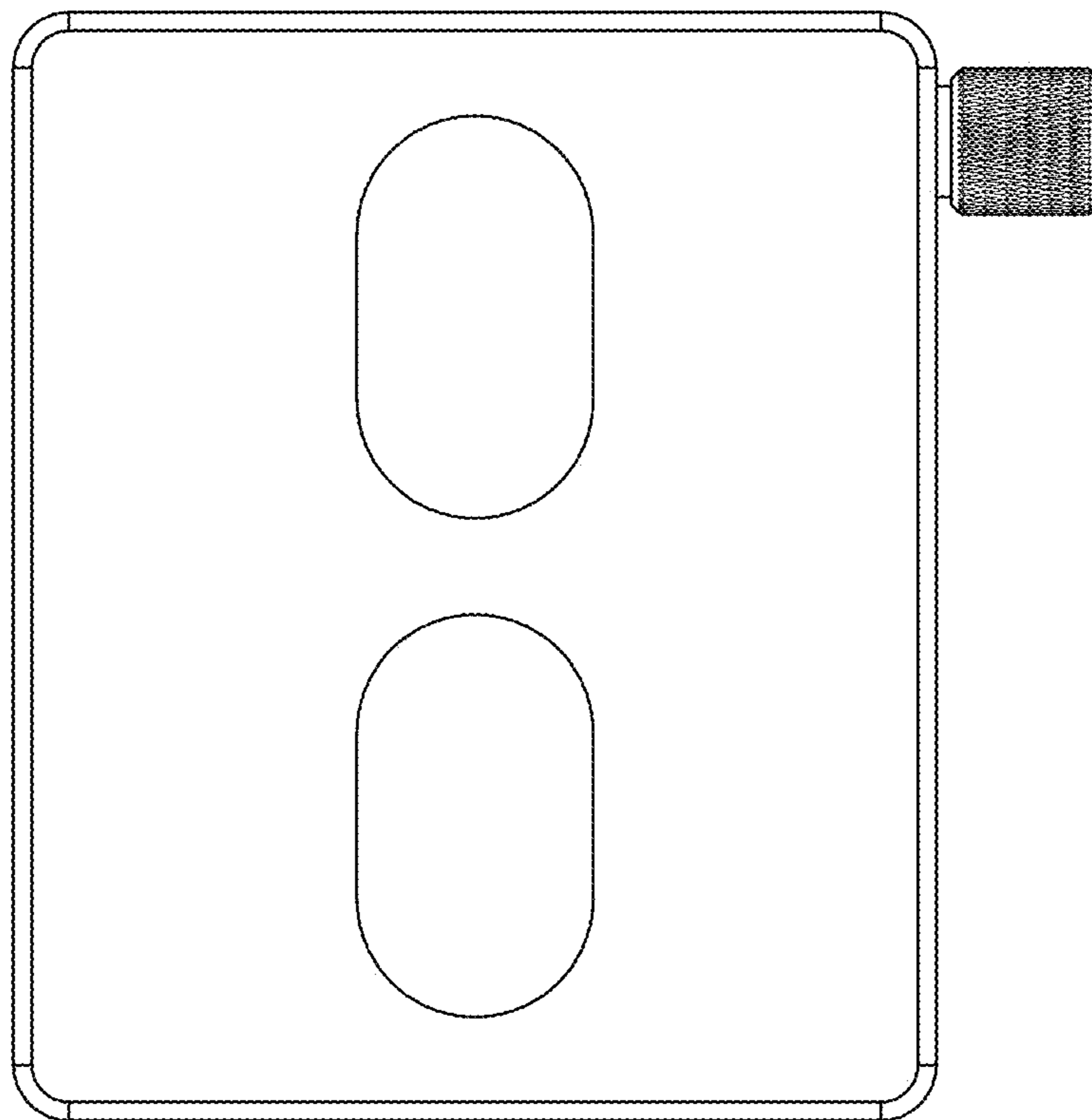


FIG. 6

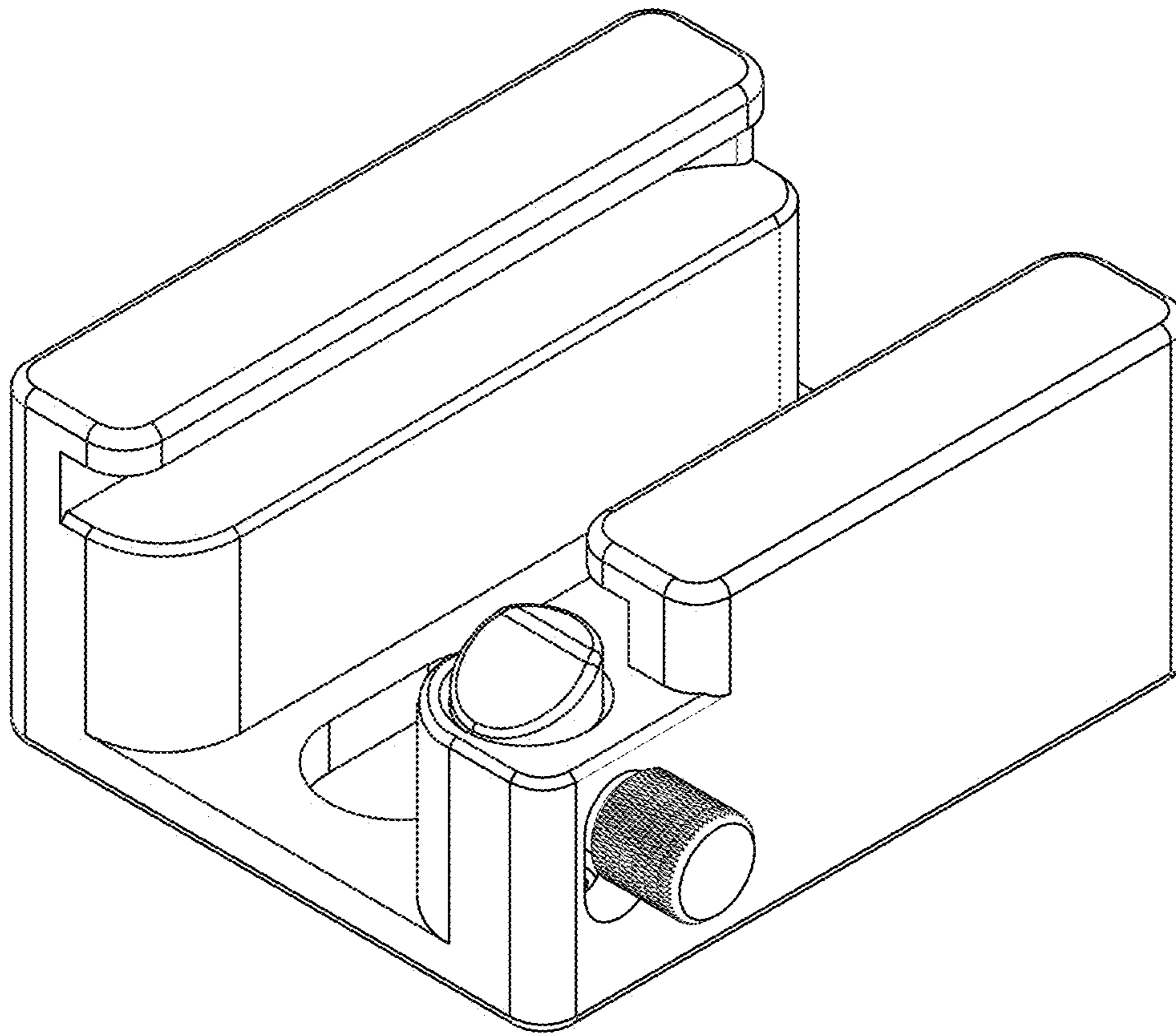


FIG. 7