



US00D910107S

(12) **United States Design Patent**
Miyashita

(10) **Patent No.:** **US D910,107 S**

(45) **Date of Patent:** **** Feb. 9, 2021**

(54) **CAMERA**

(71) Applicant: **SONY CORPORATION**, Tokyo (JP)

(72) Inventor: **Shin Miyashita**, Kanagawa (JP)

(73) Assignee: **SONY CORPORATION**, Tokyo (JP)

(**) Term: **15 Years**

(21) Appl. No.: **29/671,952**

(22) Filed: **Nov. 30, 2018**

D528,580 S	9/2006	Sumita	
D539,319 S	3/2007	Masamitsu et al.	
D540,362 S	4/2007	Yamagishi	
D540,364 S	4/2007	Ishii	
D550,742 S	9/2007	Ishii	
D672,802 S	* 12/2012	Nojima	D16/219
D690,755 S	* 10/2013	Nikaido	D16/202
D723,607 S	* 3/2015	Noh	D16/219
D724,643 S	* 3/2015	Kim	D16/219
D744,026 S	* 11/2015	Fujita	D16/219
D749,658 S	* 2/2016	Watanabe	D16/202
D776,743 S	* 1/2017	Nohara	D16/219
D819,722 S	* 6/2018	Tajima	D16/219
D849,118 S	* 5/2019	Sakai	D16/219

(Continued)

Related U.S. Application Data

(63) Continuation of application No. 29/619,623, filed on Sep. 29, 2017.

Foreign Application Priority Data

Mar. 30, 2017 (JP) 2017-006740

(51) **LOC (13) Cl.** **16-05**

(52) **U.S. Cl.**
USPC **D16/219**

(58) **Field of Classification Search**
USPC D16/200, 202-206, 208, 218, 219, 242;
348/164, 347, 373-376; 396/535,
396/539-541
CPC G03B 15/03; G03B 17/02; G03B 17/04;
G03B 17/56; G03B 19/04; H04N 5/2251;
H04N 5/2252; H04N 5/2253; H04N
5/2254; H04N 2101/00; H04N 5/33;
H04N 5/332

See application file for complete search history.

References Cited

U.S. PATENT DOCUMENTS

D501,496 S 2/2005 Sadatsuki
D524,346 S * 7/2006 Haga D16/202

Primary Examiner — Ramzi S Almatrahi

(74) *Attorney, Agent, or Firm* — Michael Best and Friedrich LLP

(57) **CLAIM**

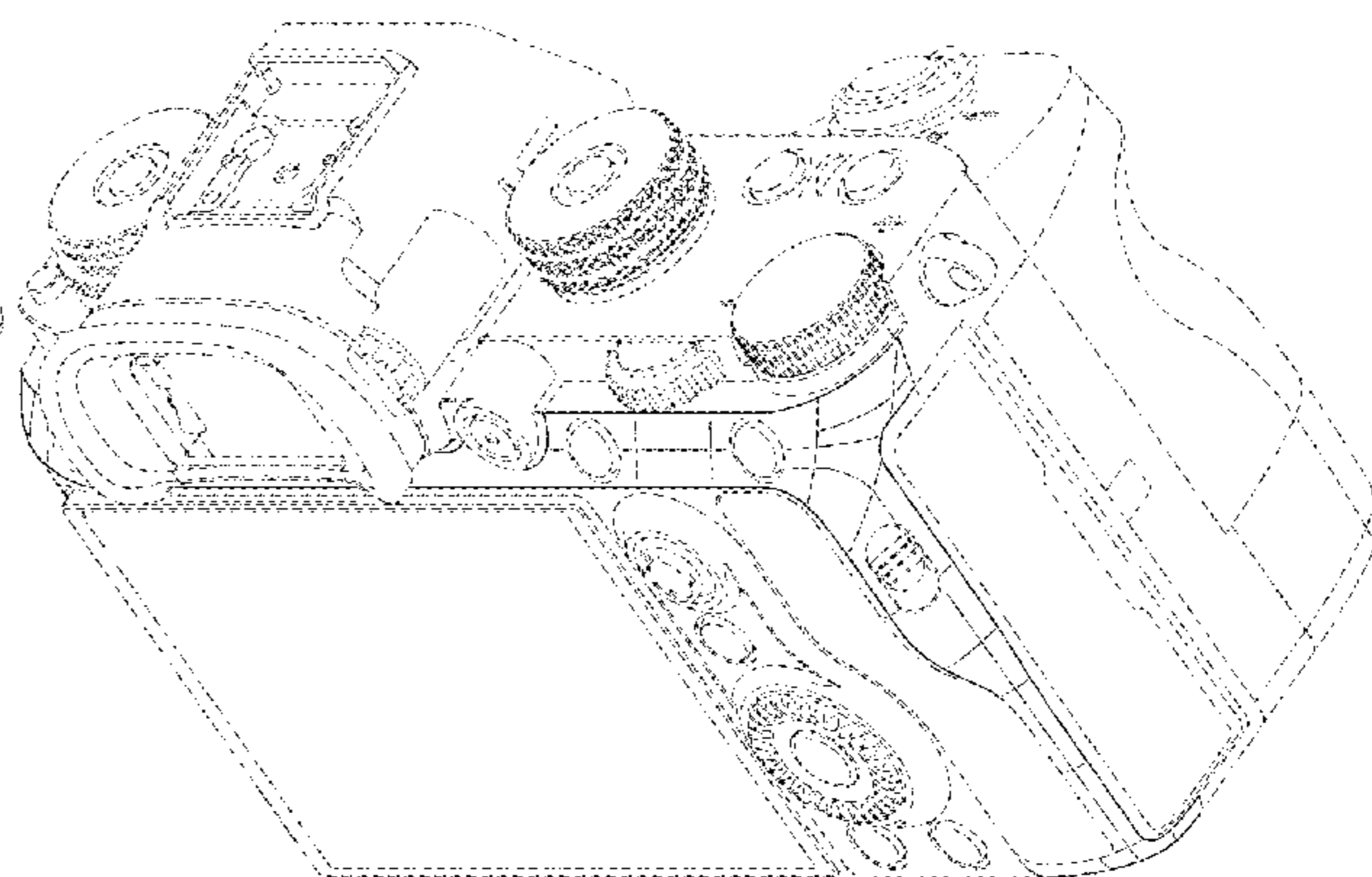
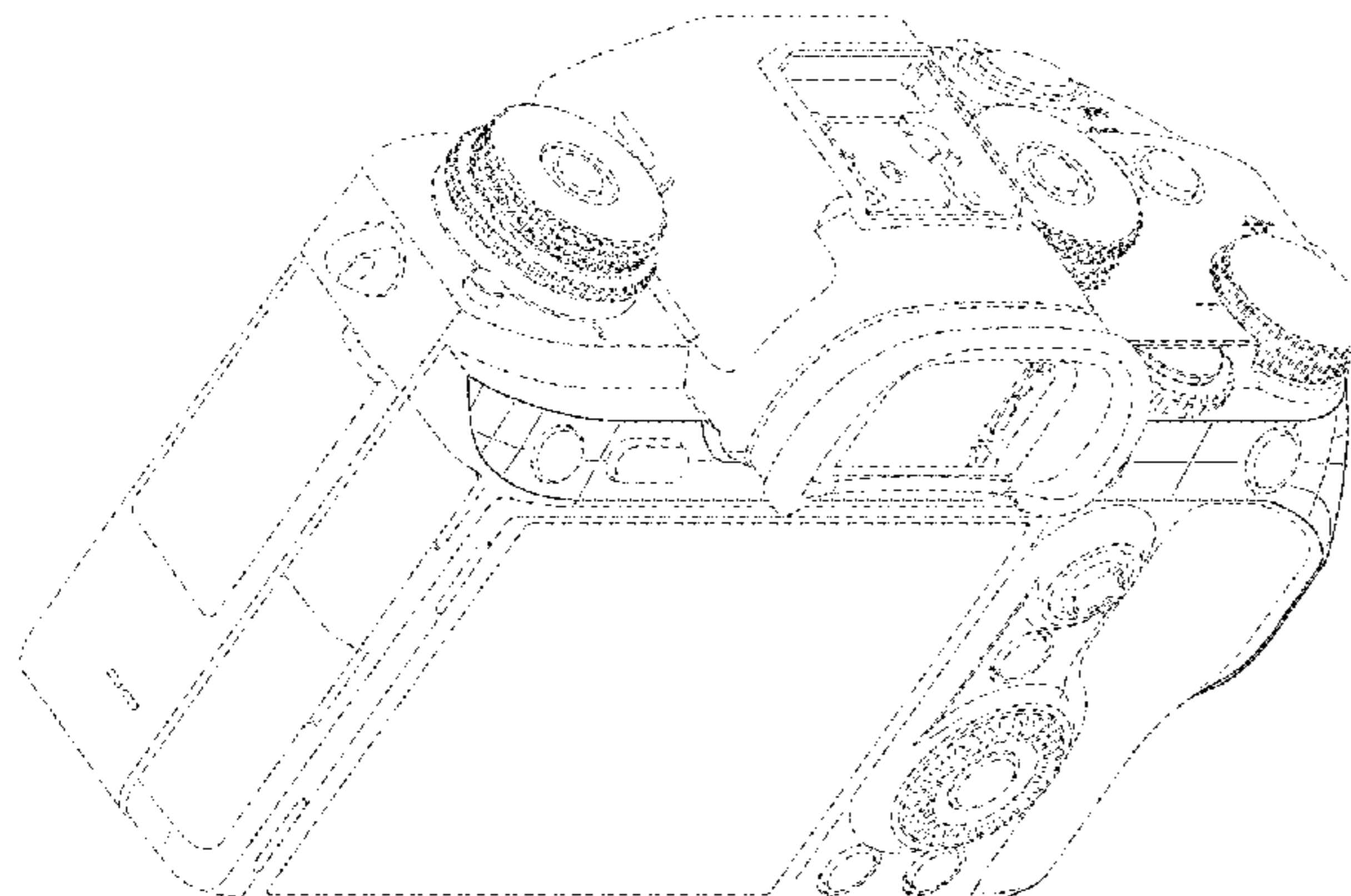
The ornamental design for a camera, as shown and described.

DESCRIPTION

FIG. 1 is a rear, bottom and right side perspective view of a camera showing my new design;
FIG. 2 is a rear, top and right side perspective view thereof;
FIG. 3 is a rear, bottom and left side perspective view thereof;
FIG. 4 is a rear, top and left side perspective view thereof;
FIG. 5 is a rear elevational view thereof;
FIG. 6 is a right side elevational view thereof;
FIG. 7 is a left side elevational view thereof;
FIG. 8 is a top plan view thereof; and,
FIG. 9 is a bottom plan view thereof.

The broken lines depict portions of the camera in which the design is embodied that form no part of the claimed design. Additionally, the dash-dot lines denote the boundary of the claim and form no part of the claimed design.

1 Claim, 9 Drawing Sheets



(56)

References Cited

U.S. PATENT DOCUMENTS

D852,258 S * 6/2019 Saito D16/219
D863,405 S * 10/2019 Tajima D16/219
D865,031 S * 10/2019 Saito D16/219

* cited by examiner

Fig. 1

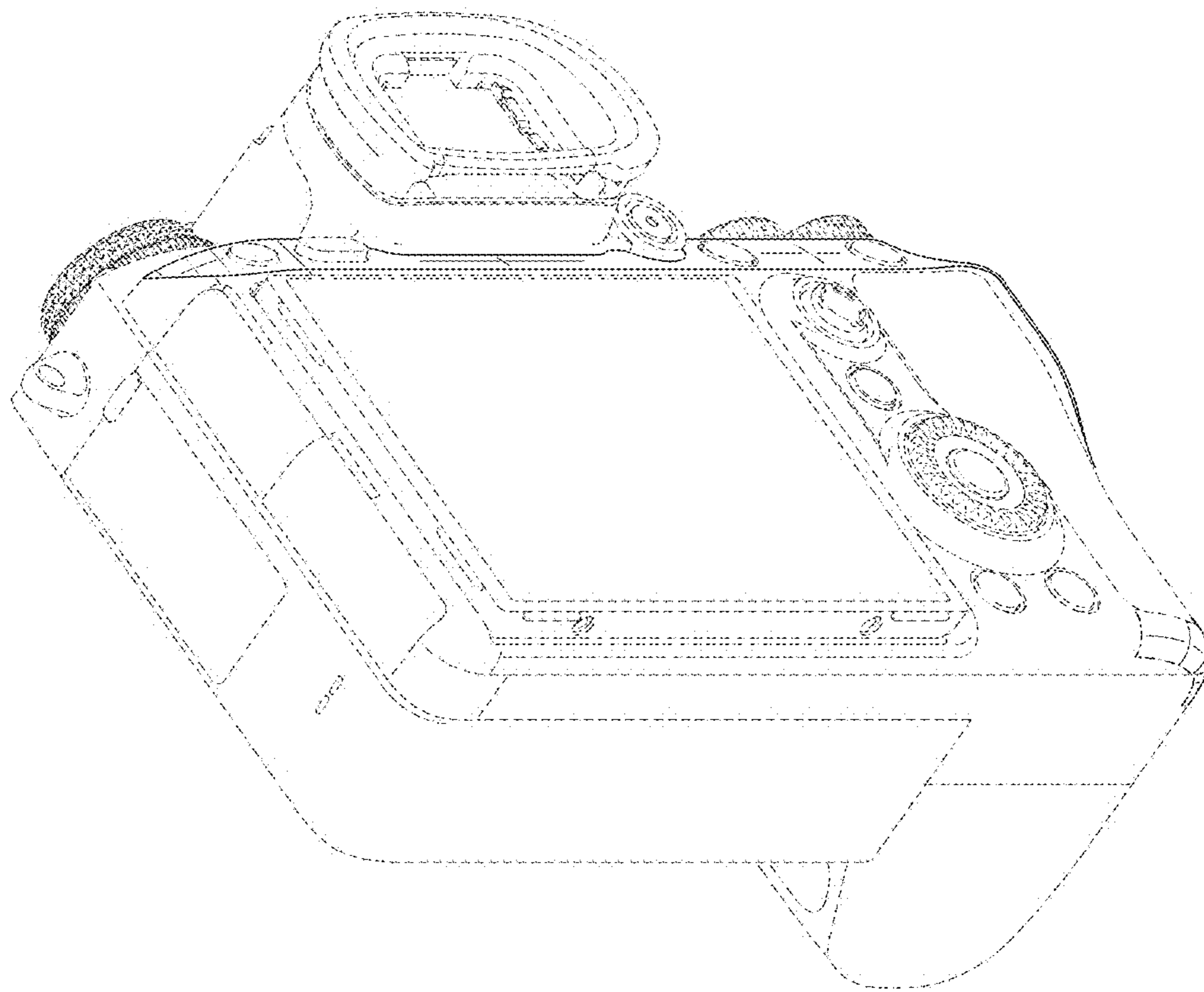


Fig.2

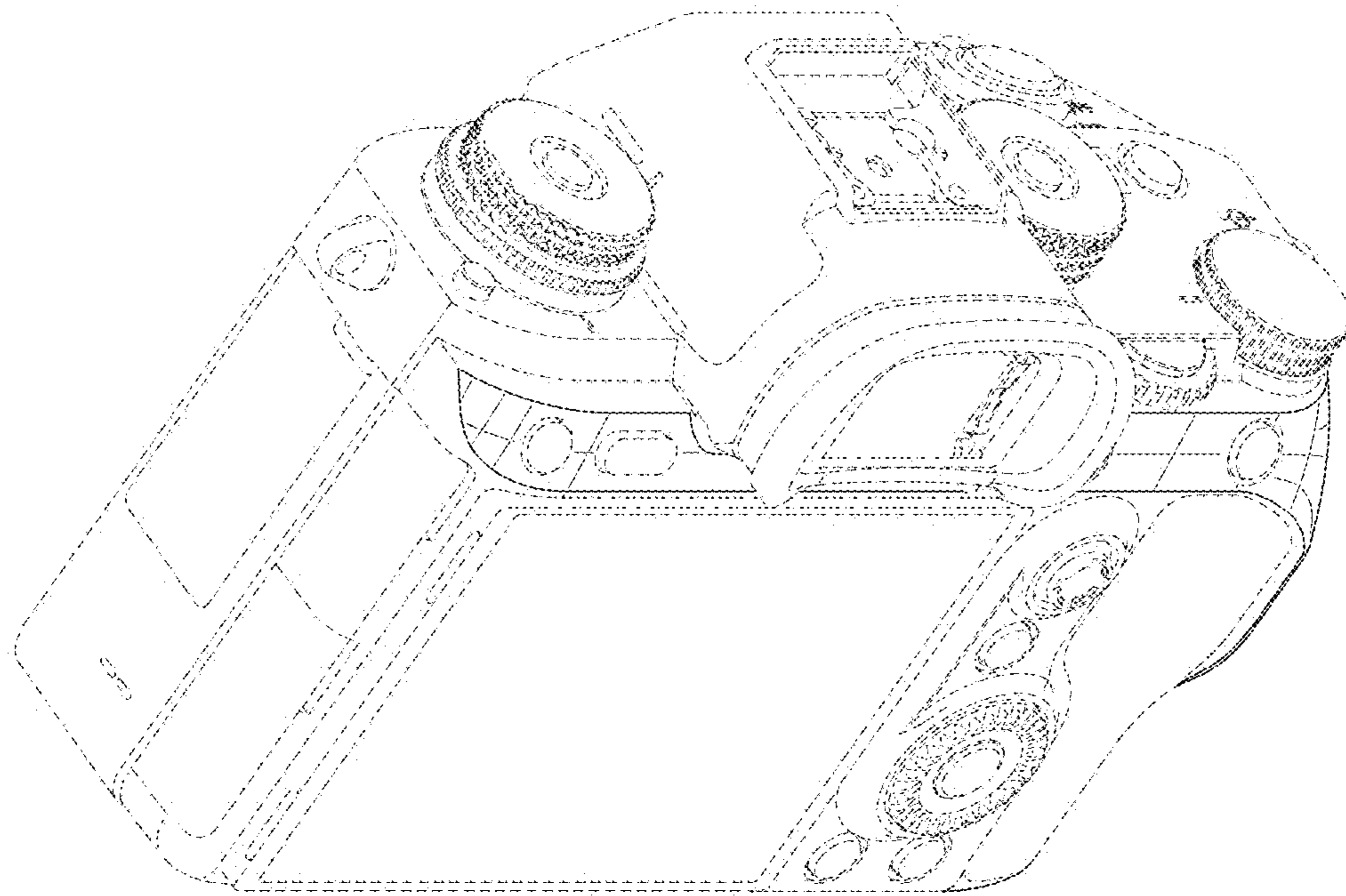


Fig.3

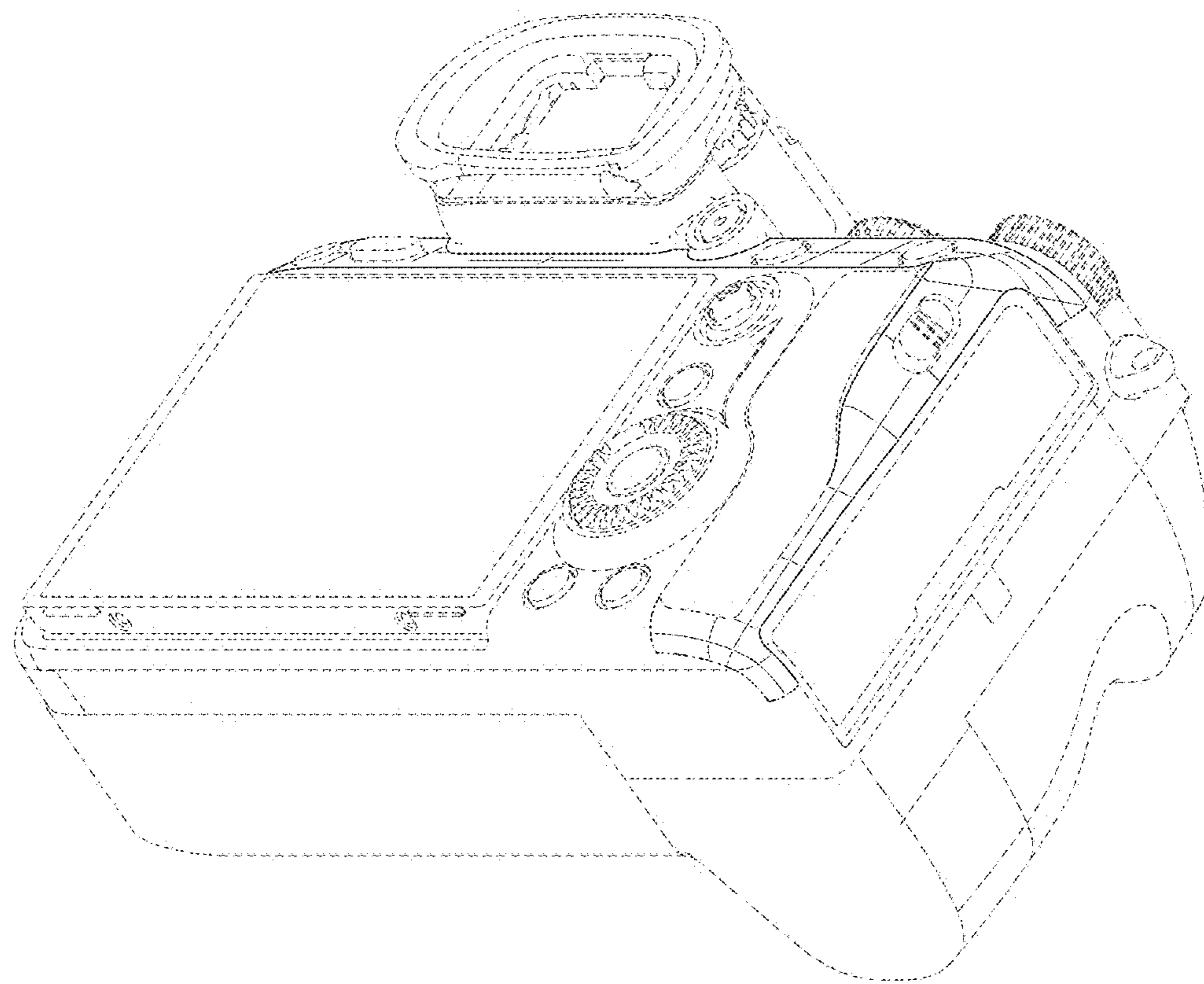


Fig.4

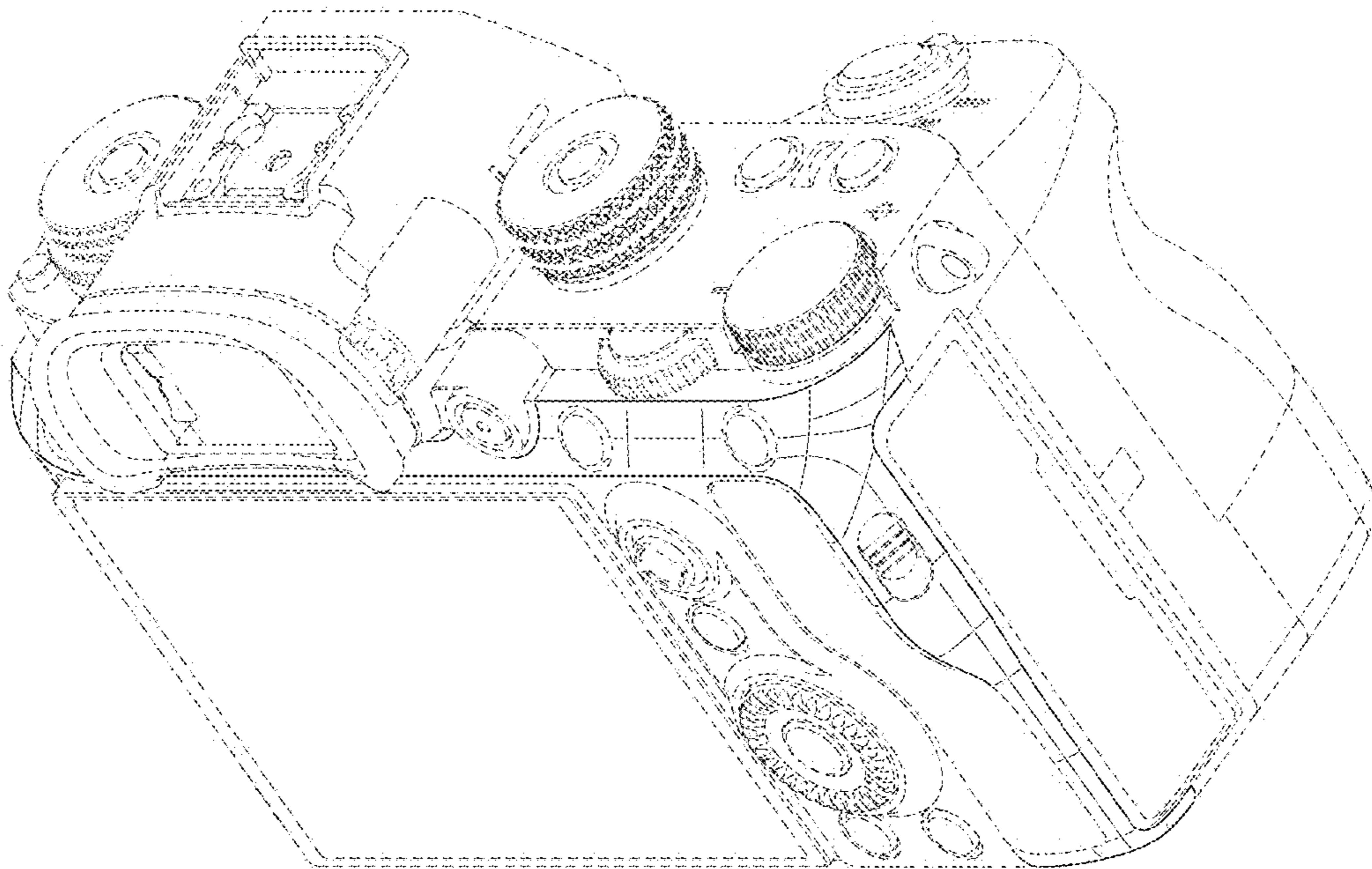


Fig. 5

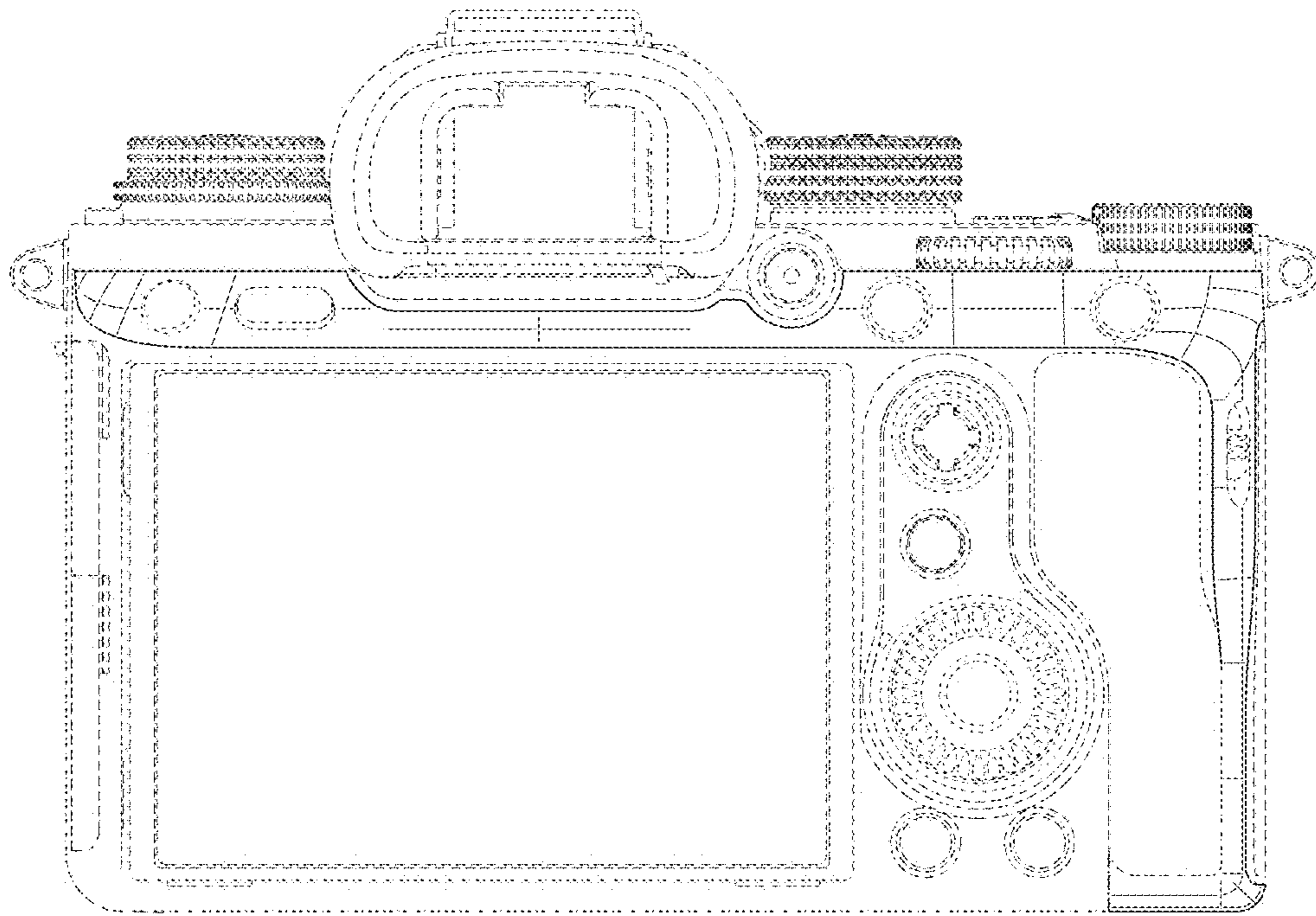


Fig.6

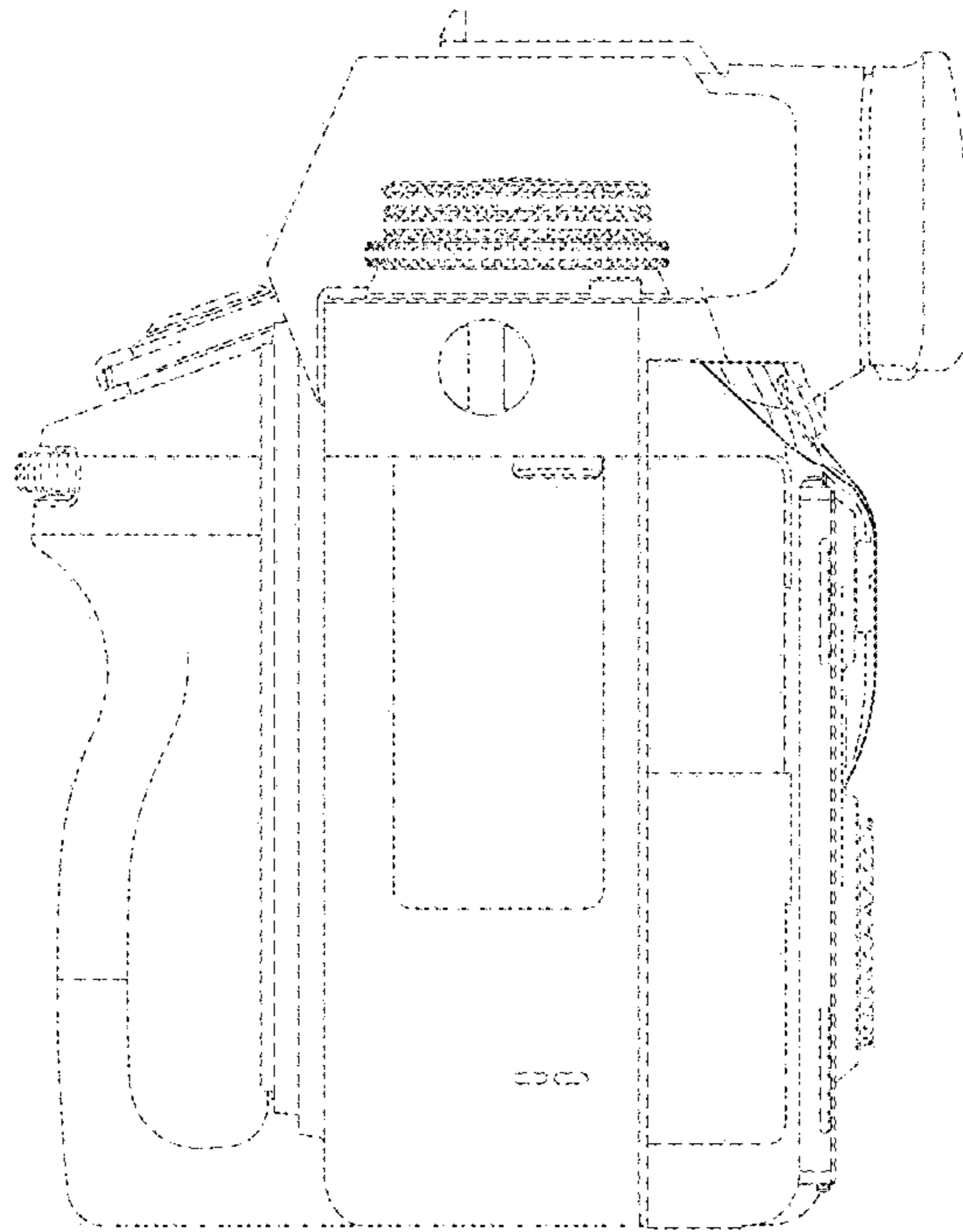


Fig.7

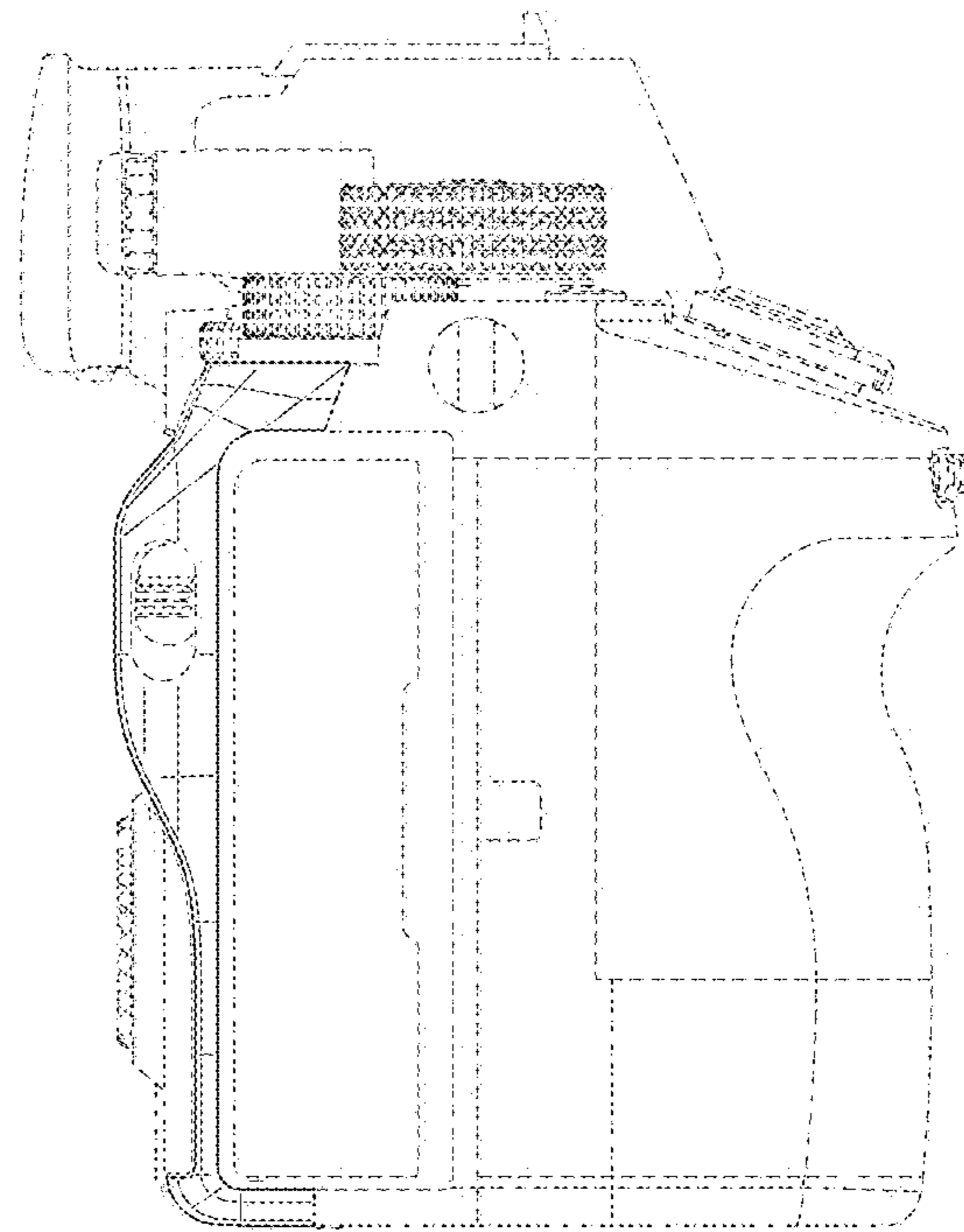


Fig. 8

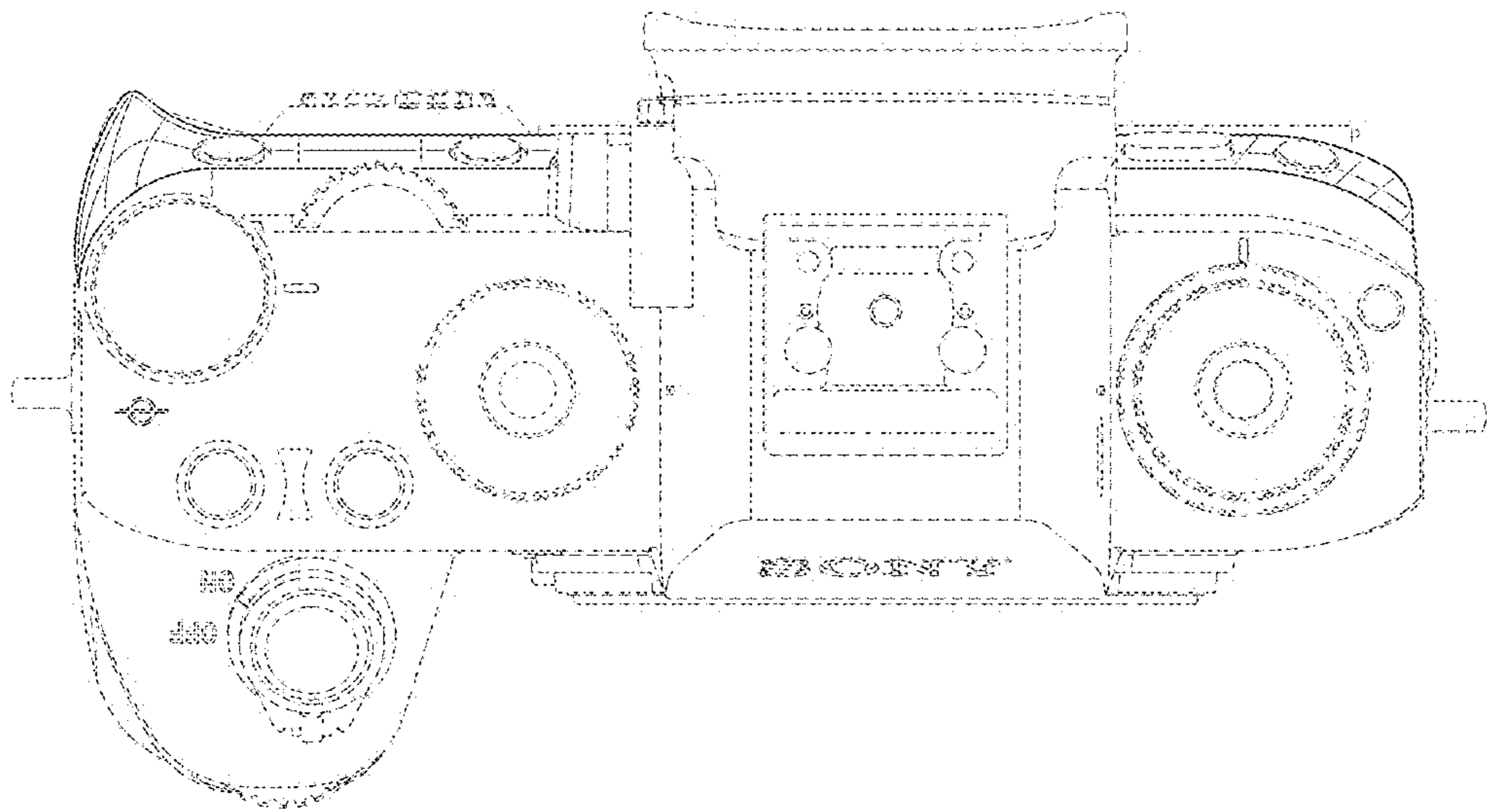


Fig. 9

