



US00D910106S

(12) **United States Design Patent**
Jeong et al.

(10) **Patent No.:** **US D910,106 S**
(45) **Date of Patent:** **** Feb. 9, 2021**

(54) **GIMBAL WITH CAMERA**

(71) Applicant: **SZ DJI Technology Co., Ltd.**,
Shenzhen (CN)

(72) Inventors: **Jaewan Jeong**, Shenzhen (CN); **Min Kim**, Shenzhen (CN)

(73) Assignee: **SZ DJI Technology Co., Ltd.**,
Shenzhen (CN)

(**) Term: **15 Years**

(21) Appl. No.: **29/721,570**

(22) Filed: **Jan. 22, 2020**

Related U.S. Application Data

(63) Continuation of application No. 29/644,600, filed on
Apr. 19, 2018, now Pat. No. Des. 875,155.

(51) **LOC (13) Cl.** **16-01**

(52) **U.S. Cl.**
USPC **D16/202**

(58) **Field of Classification Search**

USPC D16/200, 202–206, 208, 211, 214, 218,
D16/219, 237, 242, 244; D14/130, 132,
D14/144; D10/104.1, 104.2, 106.1,
D10/106.2, 106.5; 348/164, 347,
348/373–376; 396/535, 539–541;
250/330, 332

CPC G03B 15/00; G03B 15/03; G03B 17/02;
G03B 17/04; G03B 17/56; G03B 19/04;
H04N 5/2251; H04N 5/2252; H04N
5/2253; H04N 5/2254; H04N 2101/00;
F16M 11/04; F16M 13/00

See application file for complete search history.

(56) **References Cited**

U.S. PATENT DOCUMENTS

D515,118 S 2/2006 Larsson et al.
D541,325 S 4/2007 Sumita

D559,880 S * 1/2008 Sumita D16/202
D579,038 S 10/2008 Mutz et al.
D598,941 S 8/2009 Tanifuji
D750,685 S 3/2016 Santos
D754,242 S * 4/2016 Wang D16/242
D771,733 S * 11/2016 Wang D16/242
D795,946 S 8/2017 Kim et al.
D810,171 S 2/2018 Kim et al.
D811,466 S 2/2018 Zheng et al.
D814,545 S 4/2018 Kim et al.
D815,180 S 4/2018 Kim et al.
D816,150 S * 4/2018 Liao D16/242
D836,699 S 12/2018 Kim et al.
D854,069 S * 7/2019 Wang D16/202
D857,786 S * 8/2019 Kim D16/243
D863,411 S * 10/2019 Liao D16/243
D870,177 S * 12/2019 Mai D16/202

(Continued)

Primary Examiner — Ramzi S Almathrahi

(74) *Attorney, Agent, or Firm* — Sterne, Kessler,
Goldstein & Fox P.L.L.C.

(57) **CLAIM**

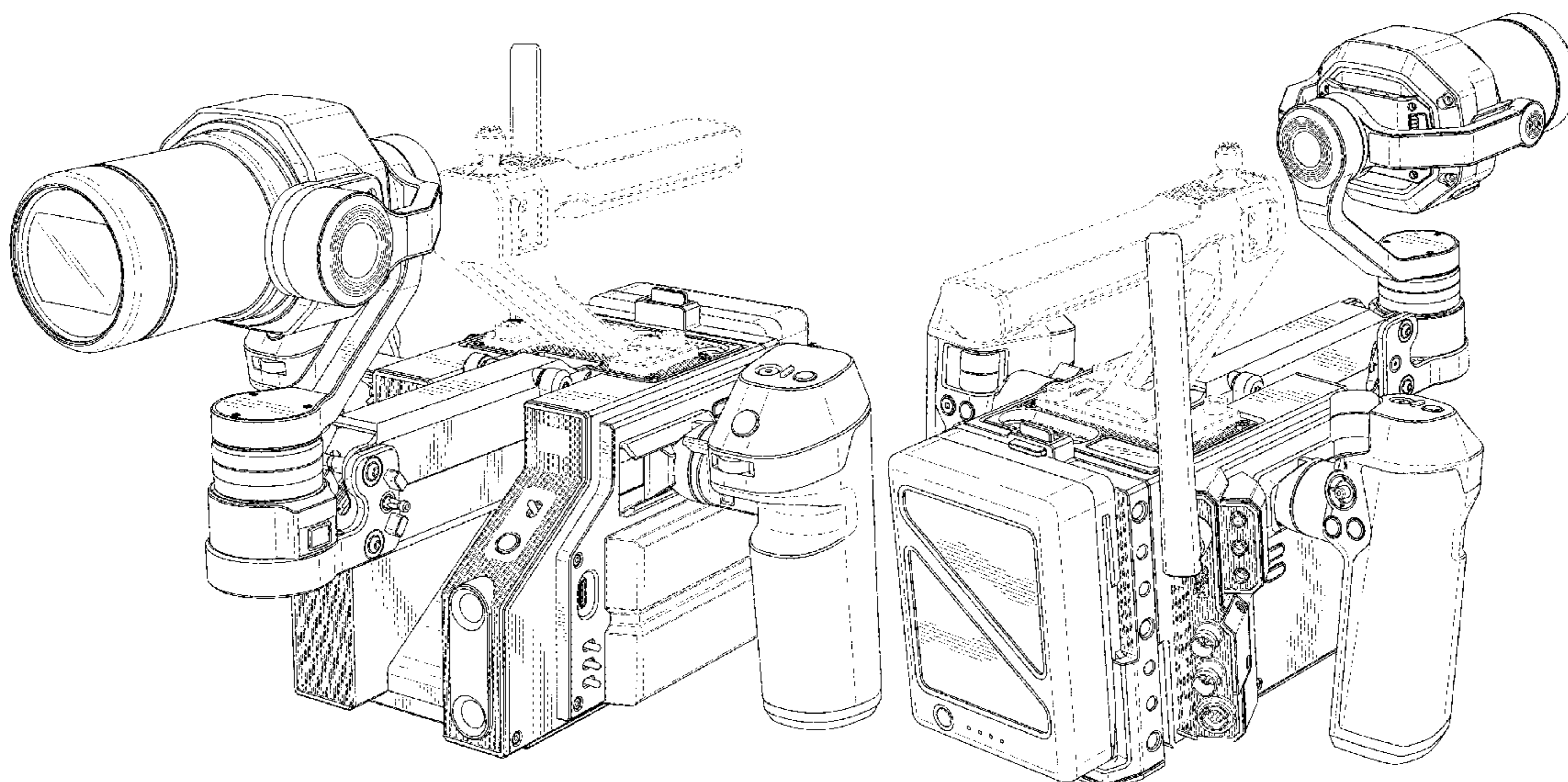
The ornamental design for a gimbal with camera, as shown
and described.

DESCRIPTION

FIG. 1 is a top, front, left perspective view of a gimbal with
camera showing the claimed design;
FIG. 2 is a top, rear, right perspective view thereof;
FIG. 3 is a front view thereof;
FIG. 4 is a rear view thereof;
FIG. 5 is a left side view thereof;
FIG. 6 is a right side view thereof;
FIG. 7 is a top view thereof; and,
FIG. 8 is a bottom view thereof.

The broken lines in the figures show portions of the gimbal
with camera that form no part of the claimed design.

1 Claim, 8 Drawing Sheets



(56)

References Cited

U.S. PATENT DOCUMENTS

D874,539 S * 2/2020 Wang D16/206
2007/0246641 A1 10/2007 Baun
2009/0256945 A1 10/2009 Matsuda et al.

* cited by examiner

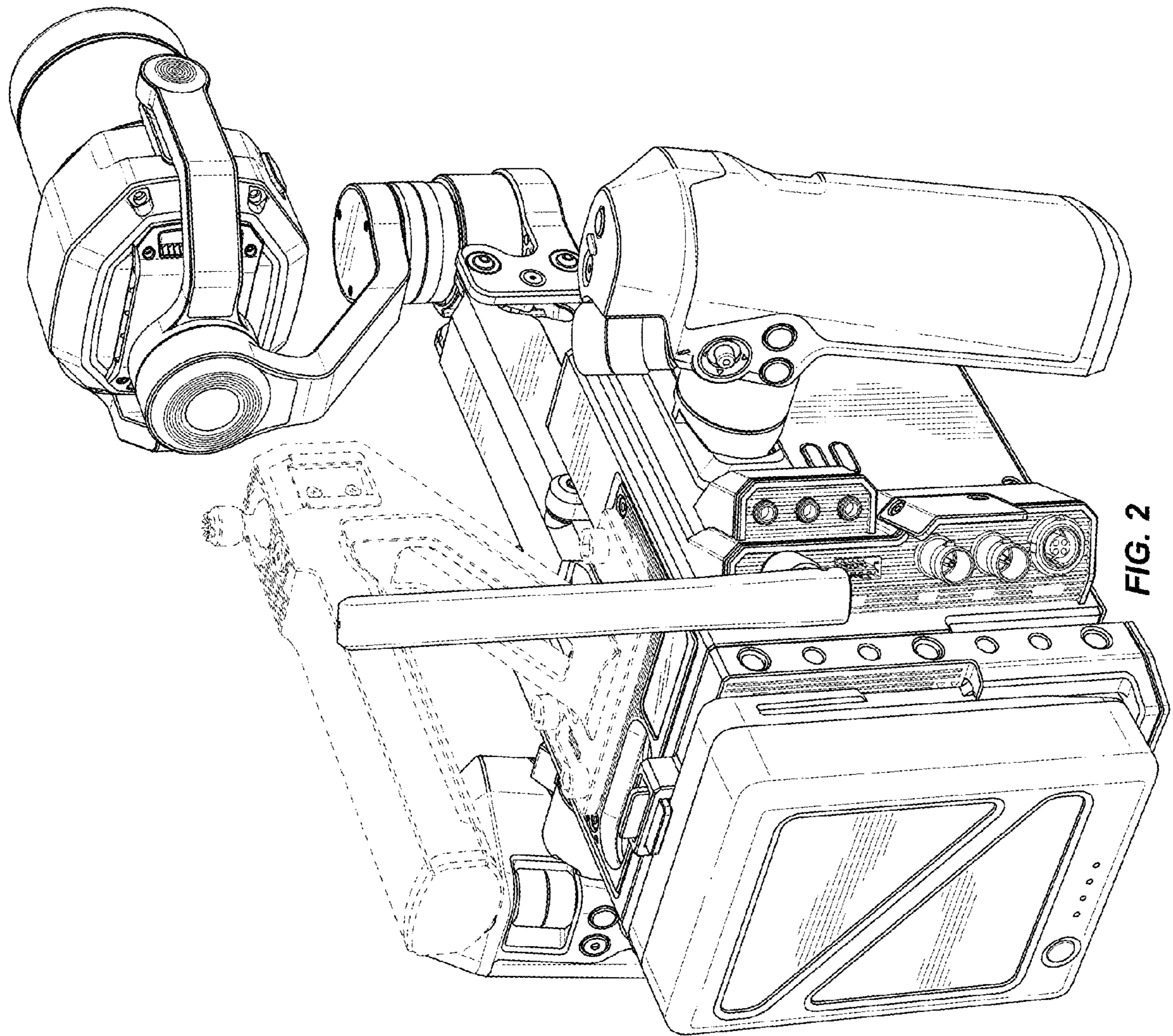


FIG. 2

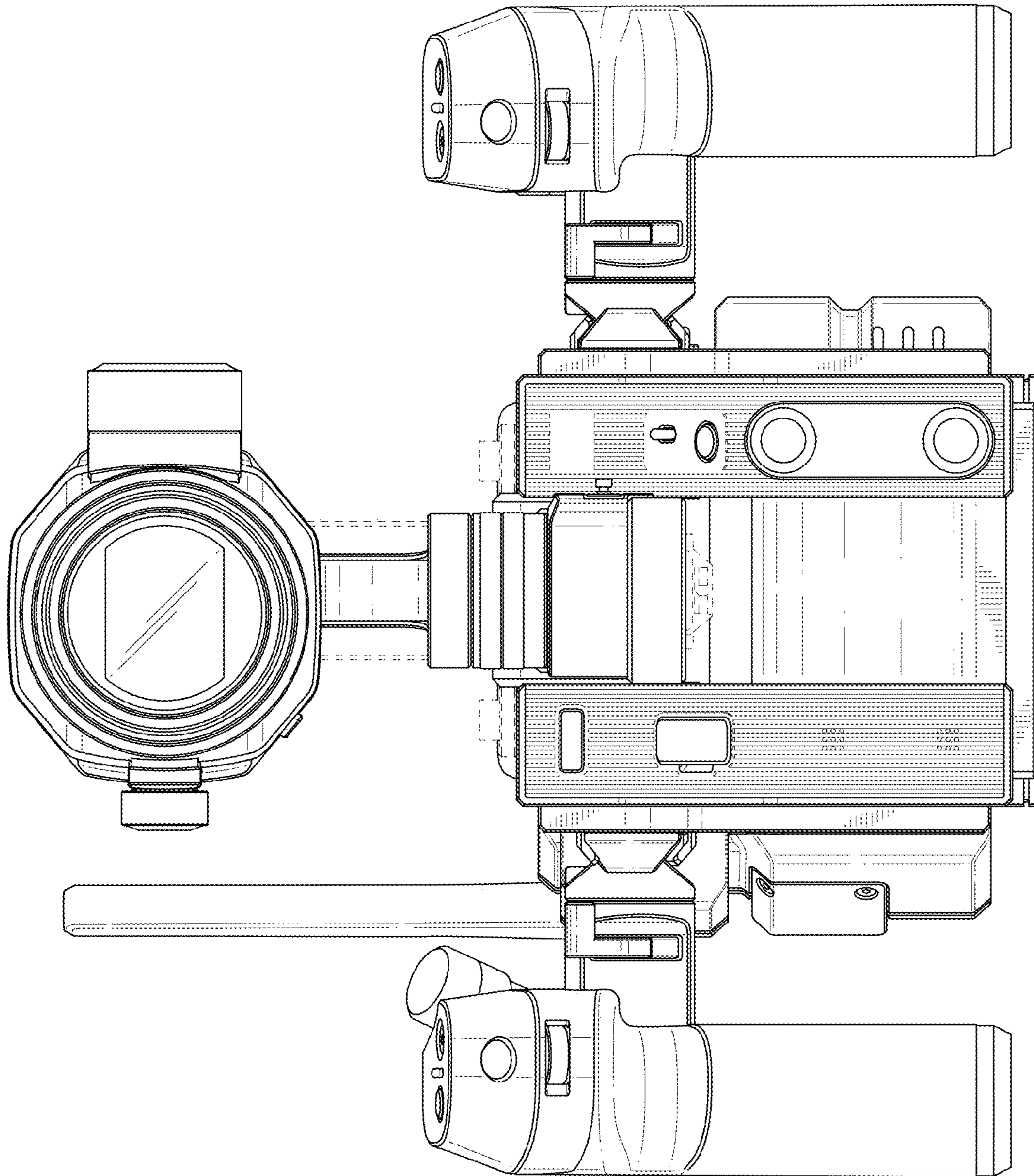


FIG. 3

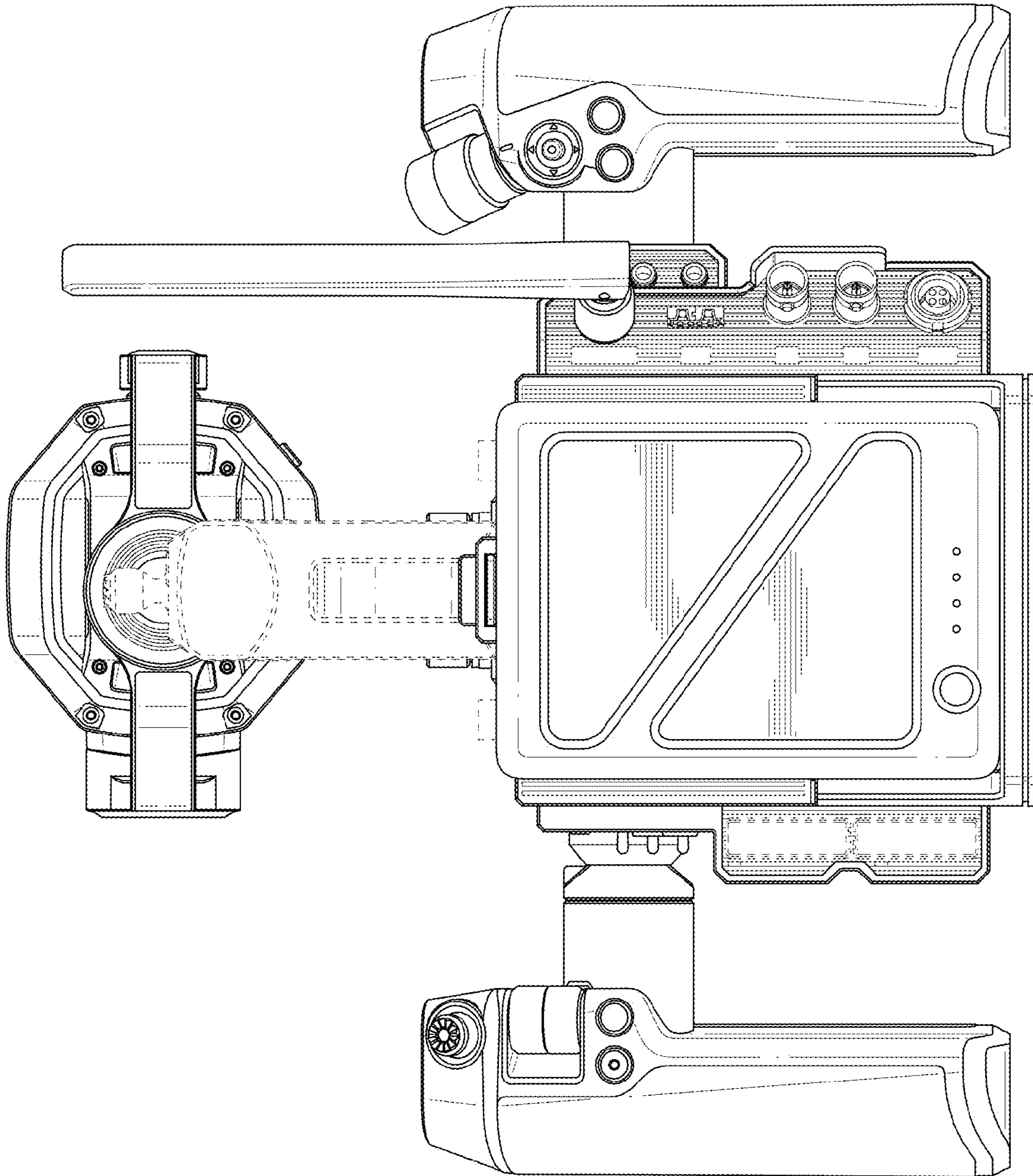


FIG. 4

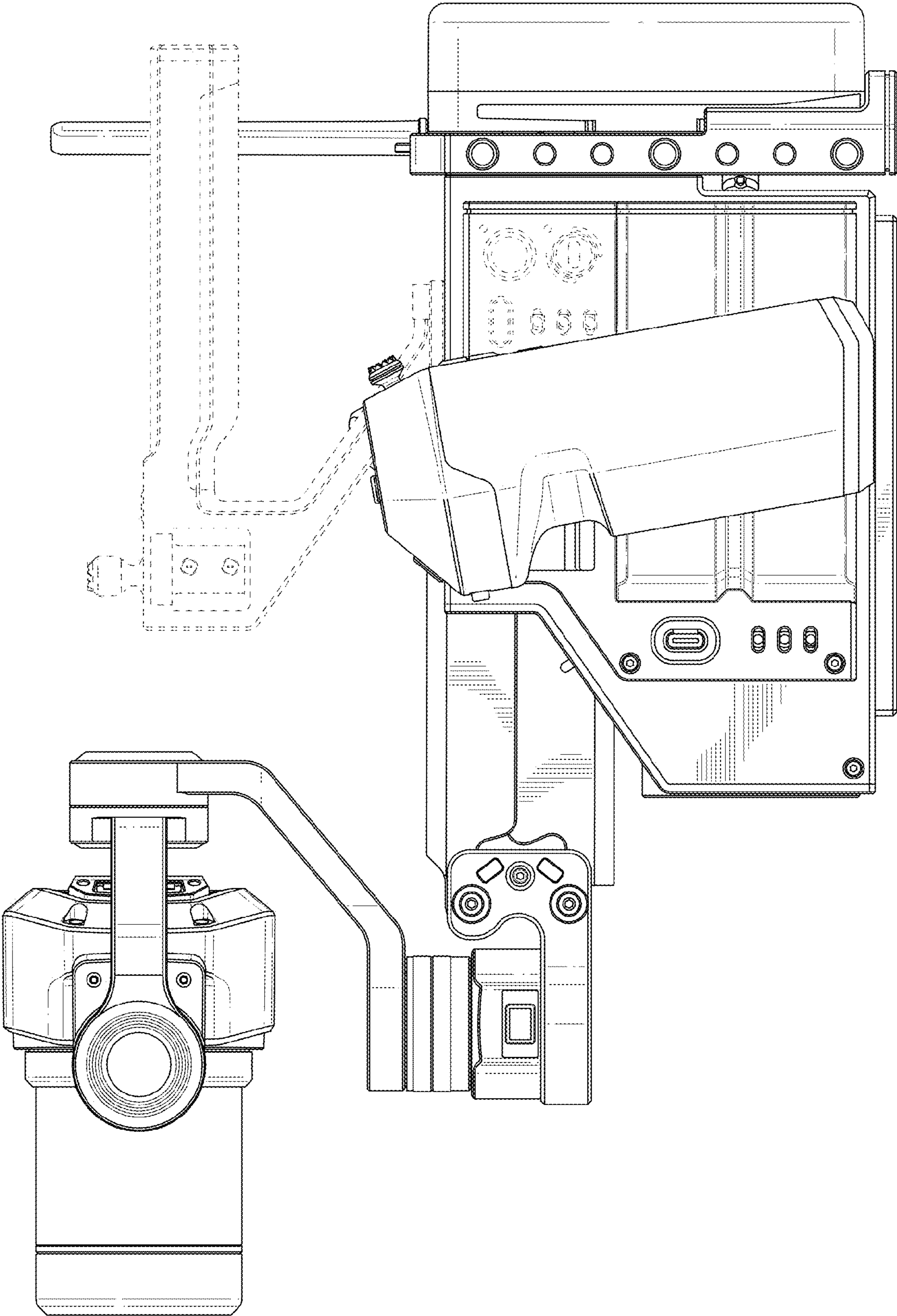


FIG. 5

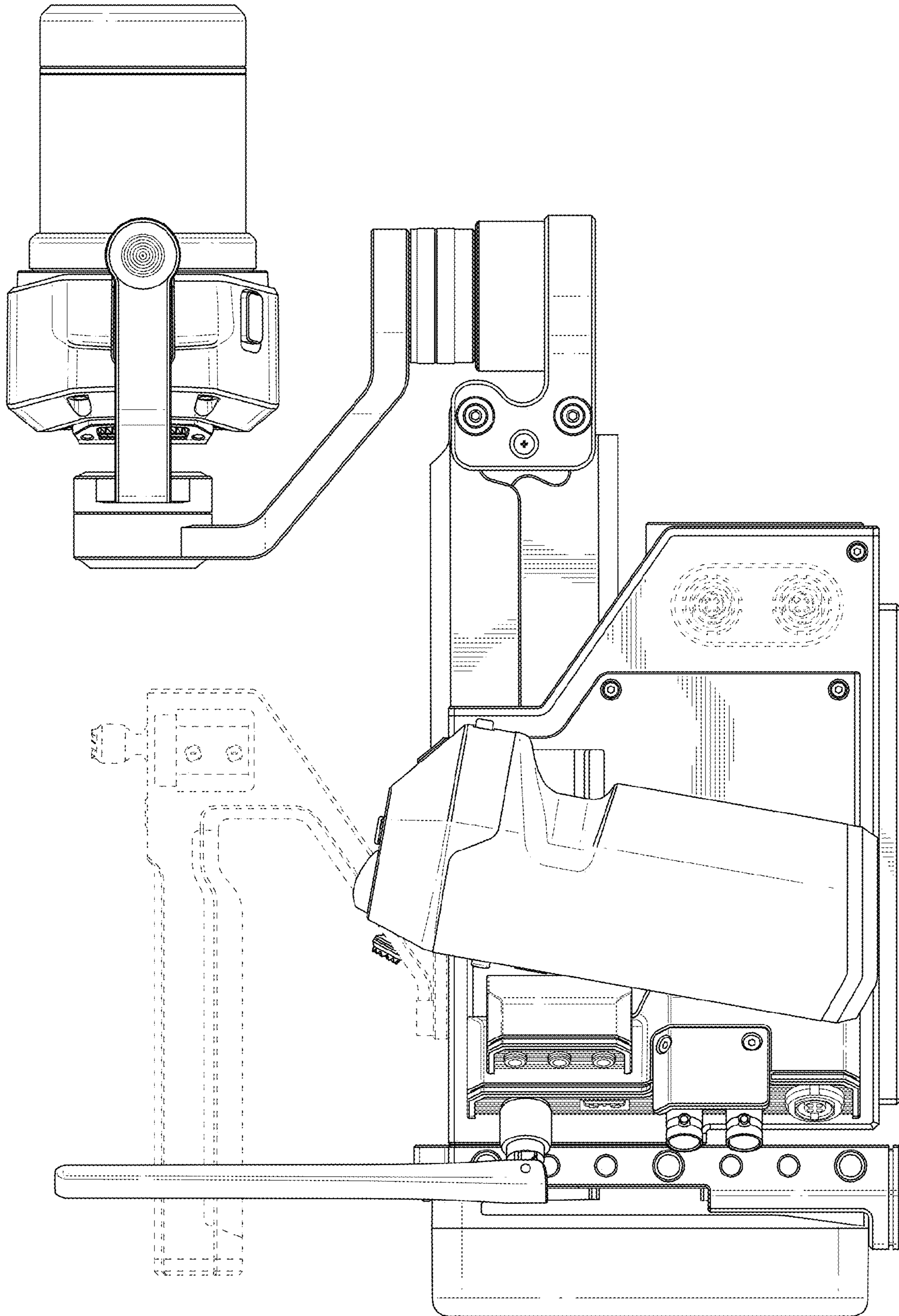


FIG. 6

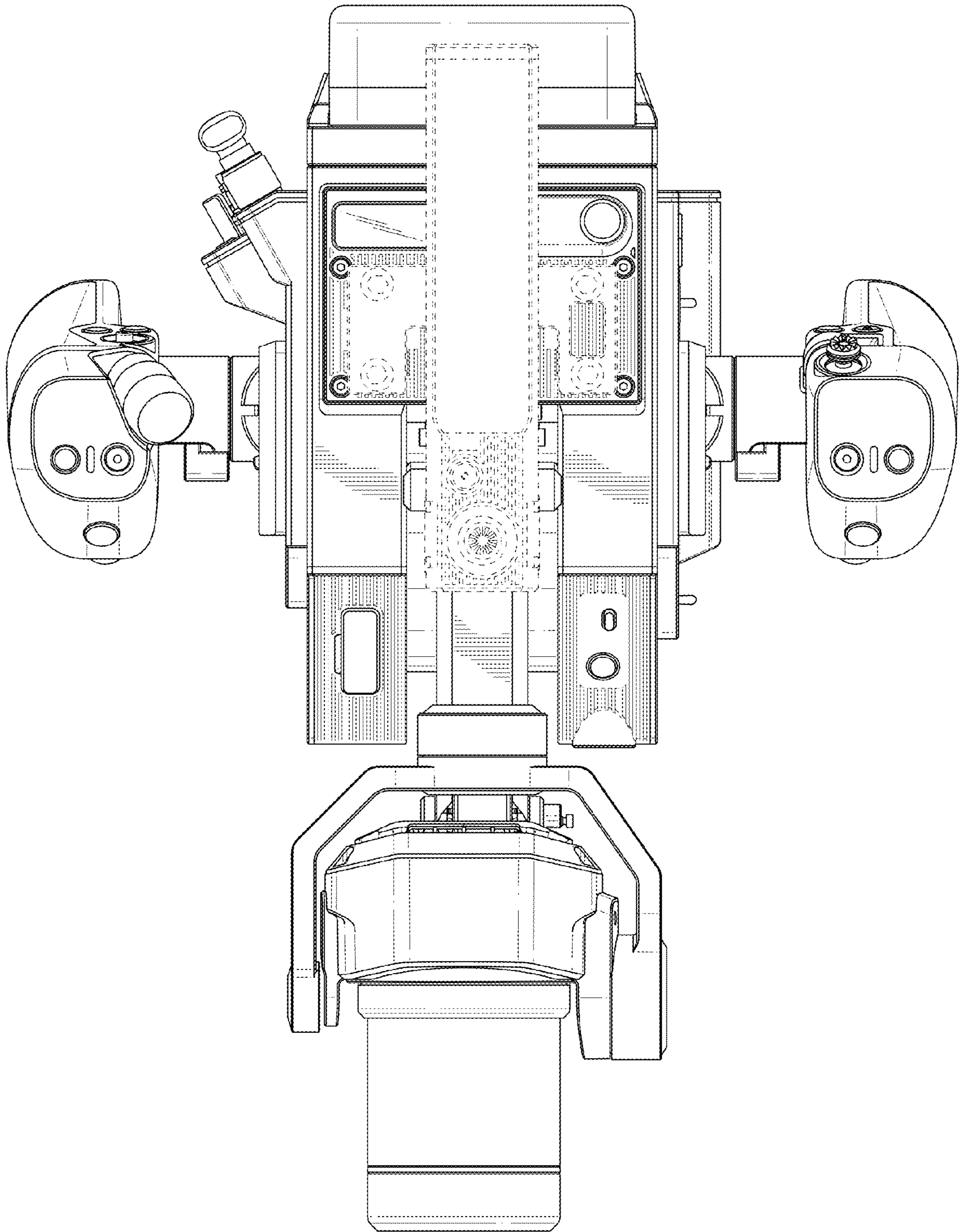


FIG. 7

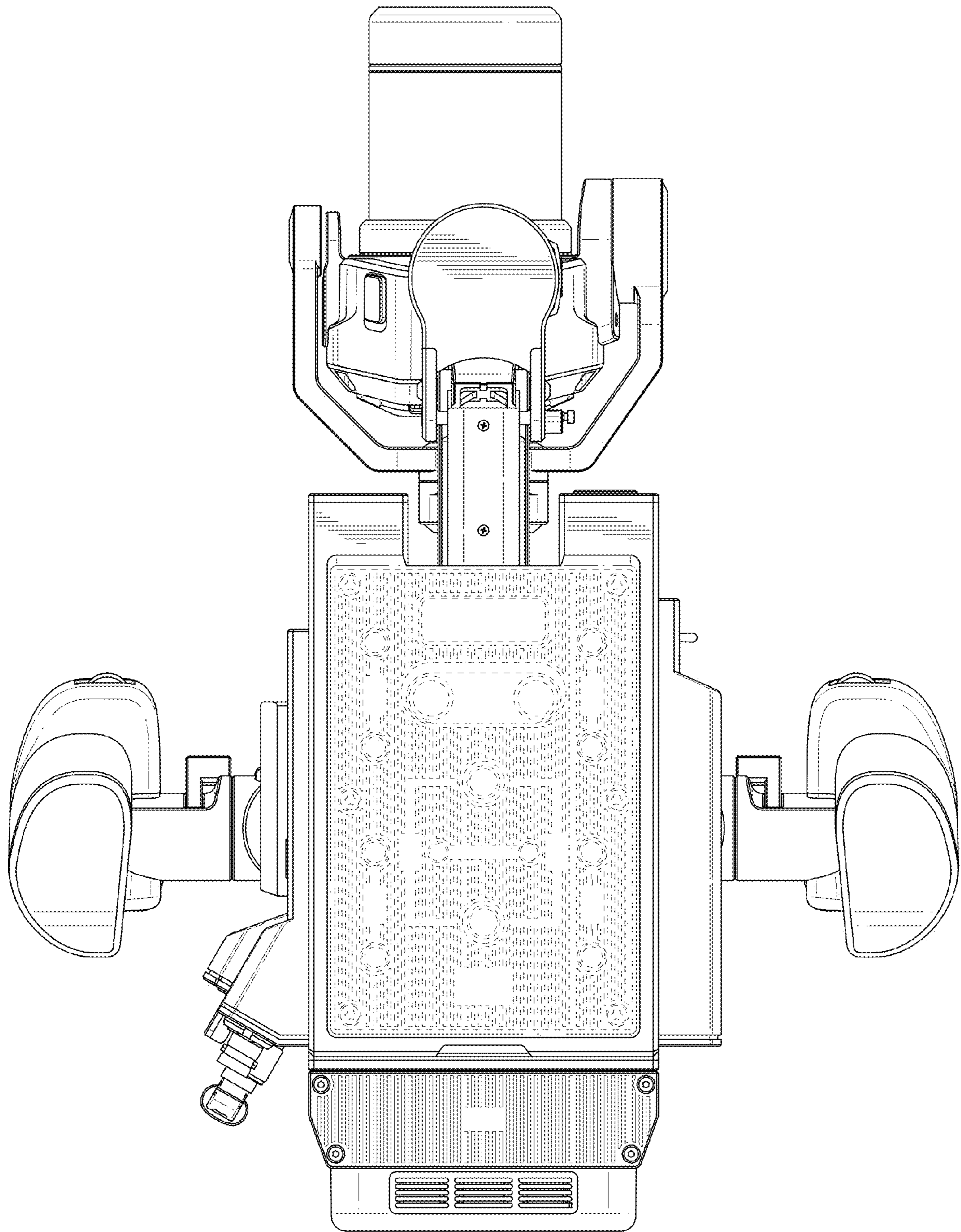


FIG. 8