



US00D910105S

(12) **United States Design Patent**  
**Lin**

(10) **Patent No.:** **US D910,105 S**

(45) **Date of Patent:** **\*\* Feb. 9, 2021**

(54) **CHILDREN'S GAMING CAMERA**

(71) Applicant: **Shenzhen city Aobaisen Electronic Technology Co., Ltd., Shenzhen (CN)**

(72) Inventor: **Shaomin Lin, Shenzhen (CN)**

(\*\*) Term: **15 Years**

(21) Appl. No.: **29/717,137**

(22) Filed: **Dec. 16, 2019**

(51) **LOC (13) Cl.** ..... **16-01**

(52) **U.S. Cl.**  
USPC ..... **D16/202**

(58) **Field of Classification Search**  
USPC ..... D16/200, 202-206, 208, 218, 219;  
D21/514; 348/373-376; 396/535,  
396/539-541  
CPC ..... G03B 15/03; G03B 17/02; G03B 17/04;  
G03B 17/56; G03B 19/04; H04N 5/2251;  
H04N 5/2252; H04N 5/2253; H04N  
5/2254; H04N 2101/00  
See application file for complete search history.

(56) **References Cited**

**U.S. PATENT DOCUMENTS**

D356,587 S	*	3/1995	Shuler	.....	D16/200
D487,485 S	*	3/2004	Niu	.....	D21/514
D522,557 S	*	6/2006	Chen	.....	D16/202
D524,837 S	*	7/2006	Chen	.....	D16/202
D616,008 S	*	5/2010	Enervold	.....	D16/218
D718,801 S	*	12/2014	Zetterlund	.....	D16/218
D748,712 S	*	2/2016	Tompkin	.....	D16/218

D835,698 S	*	12/2018	Darty	.....	D16/206
D849,087 S	*	5/2019	Li	.....	D16/202
D865,836 S	*	11/2019	Puusaari	.....	D16/202
D873,883 S	*	1/2020	Lin	.....	D16/202
D875,802 S	*	2/2020	Jin	.....	D16/202
D892,191 S	*	8/2020	Ji	.....	D16/202

\* cited by examiner

*Primary Examiner* — Ramzi S Almatrahi

(74) *Attorney, Agent, or Firm* — HYIP

(57) **CLAIM**

The ornamental design for a children's gaming camera, as shown and described.

**DESCRIPTION**

FIG. 1 is a front perspective view of a children's gaming camera showing my new design;  
FIG. 2 is a back perspective view thereof;  
FIG. 3 is a front view thereof;  
FIG. 4 is a back view thereof;  
FIG. 5 is a left side view thereof;  
FIG. 6 is a right side view thereof;  
FIG. 7 is a top view thereof;  
FIG. 8 is a bottom view thereof; and,  
FIG. 9 is an enlarged view of the encircled portion shown in FIG. 2.

The broken lines shown in the drawings depict portions of the children's gaming camera in which the design is embodied that form no part of the claimed design.

The dot-dash broken lines encircling an enlargement portion of the design forms no part of the claimed design.

**1 Claim, 9 Drawing Sheets**

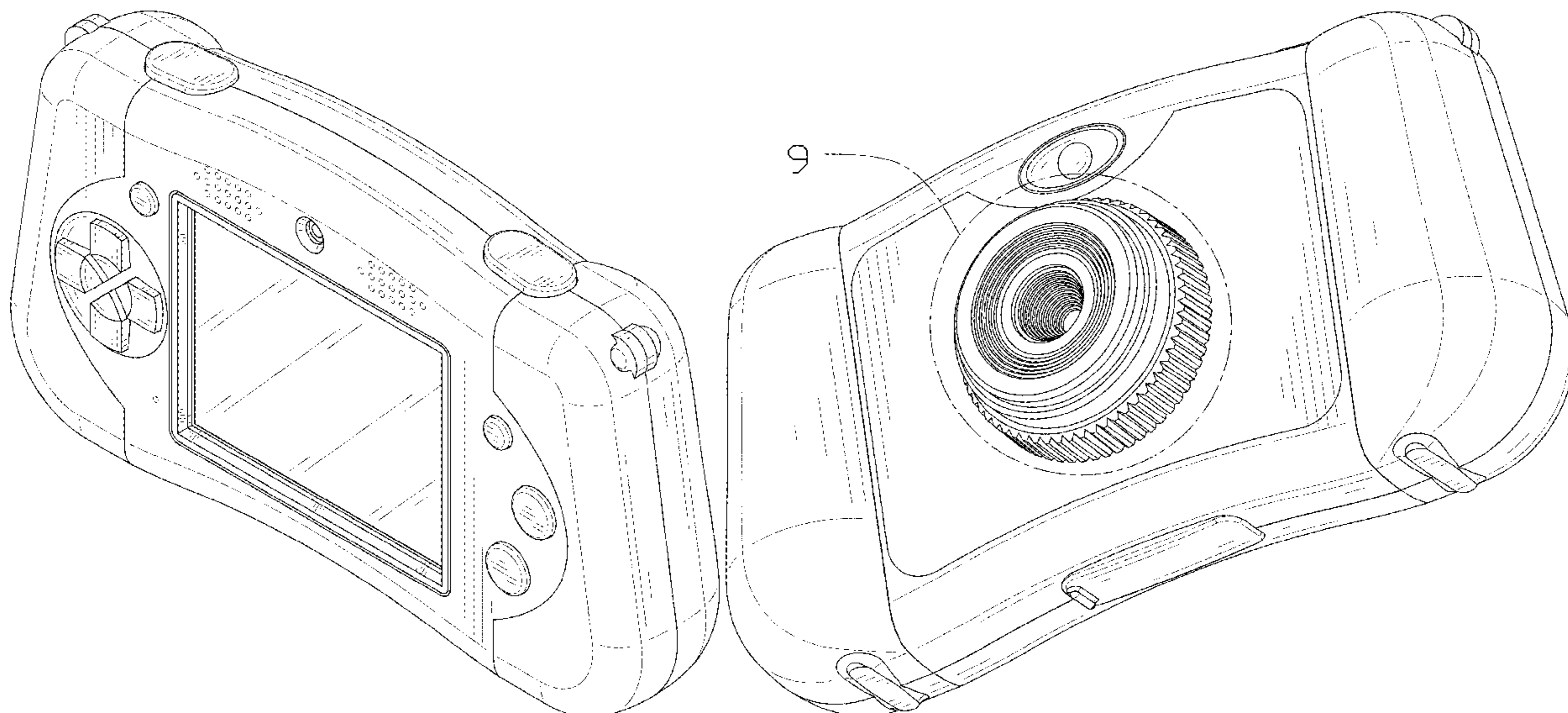




FIG. 1

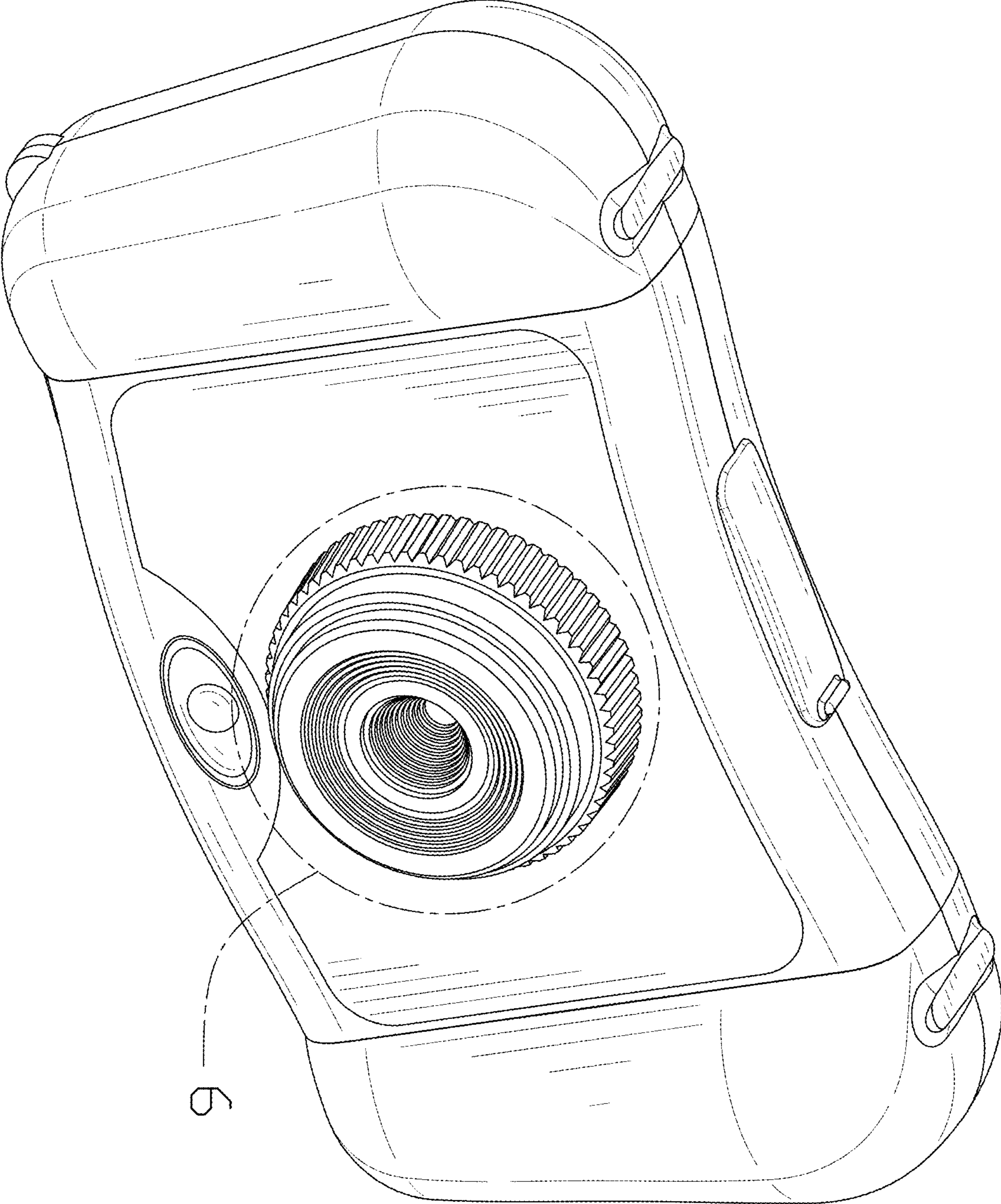


FIG. 2

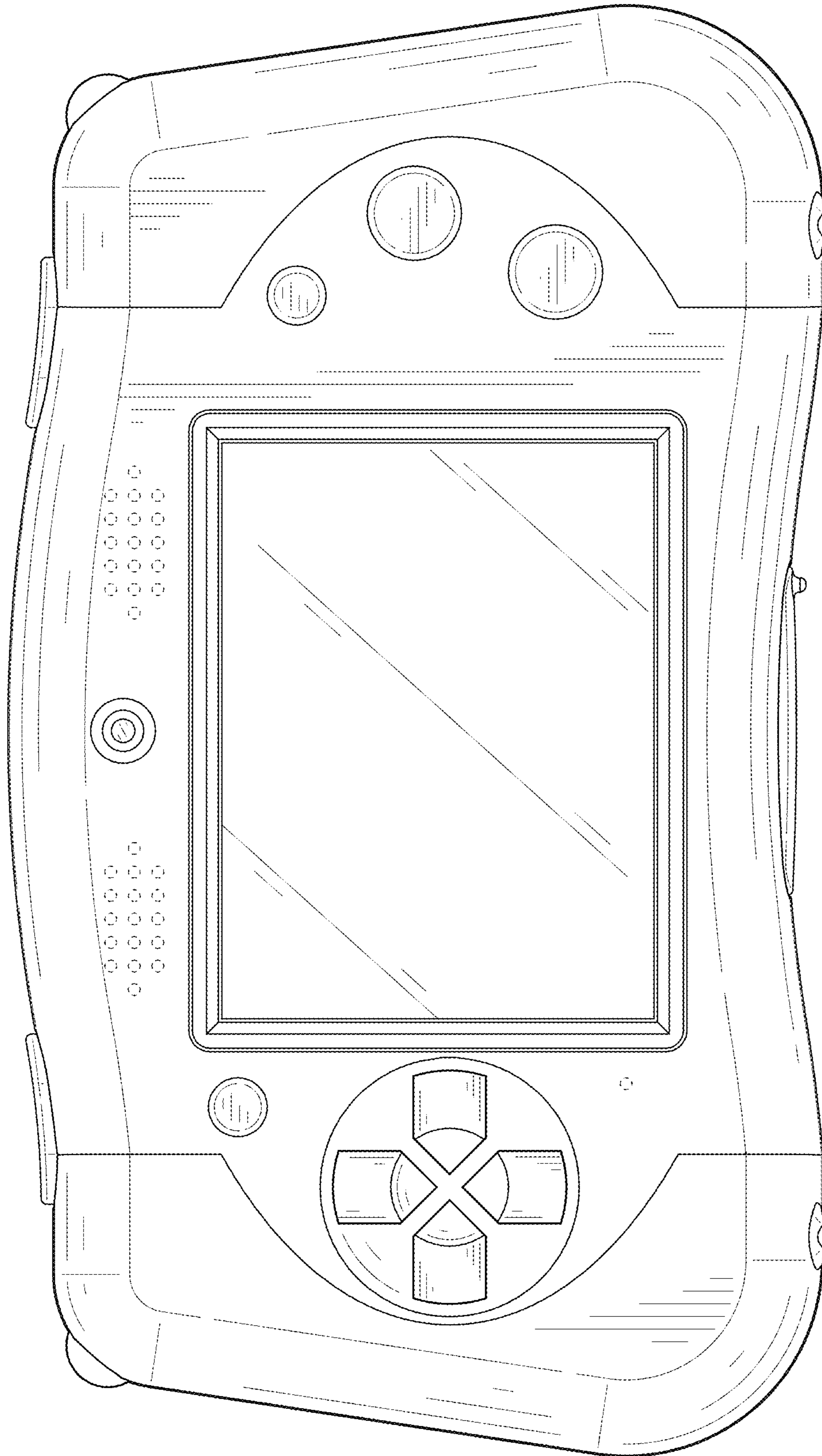


FIG. 3

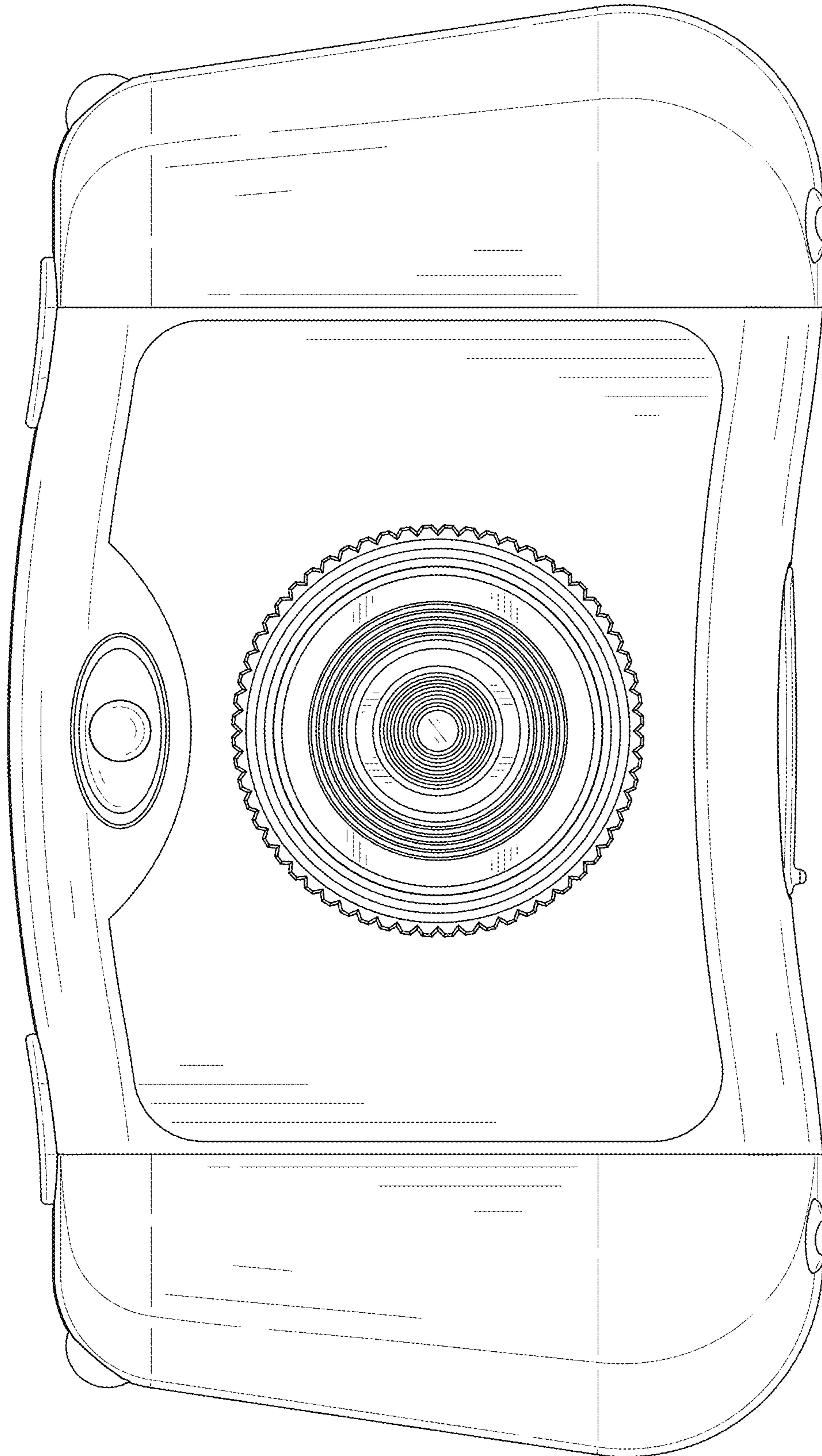


FIG. 4

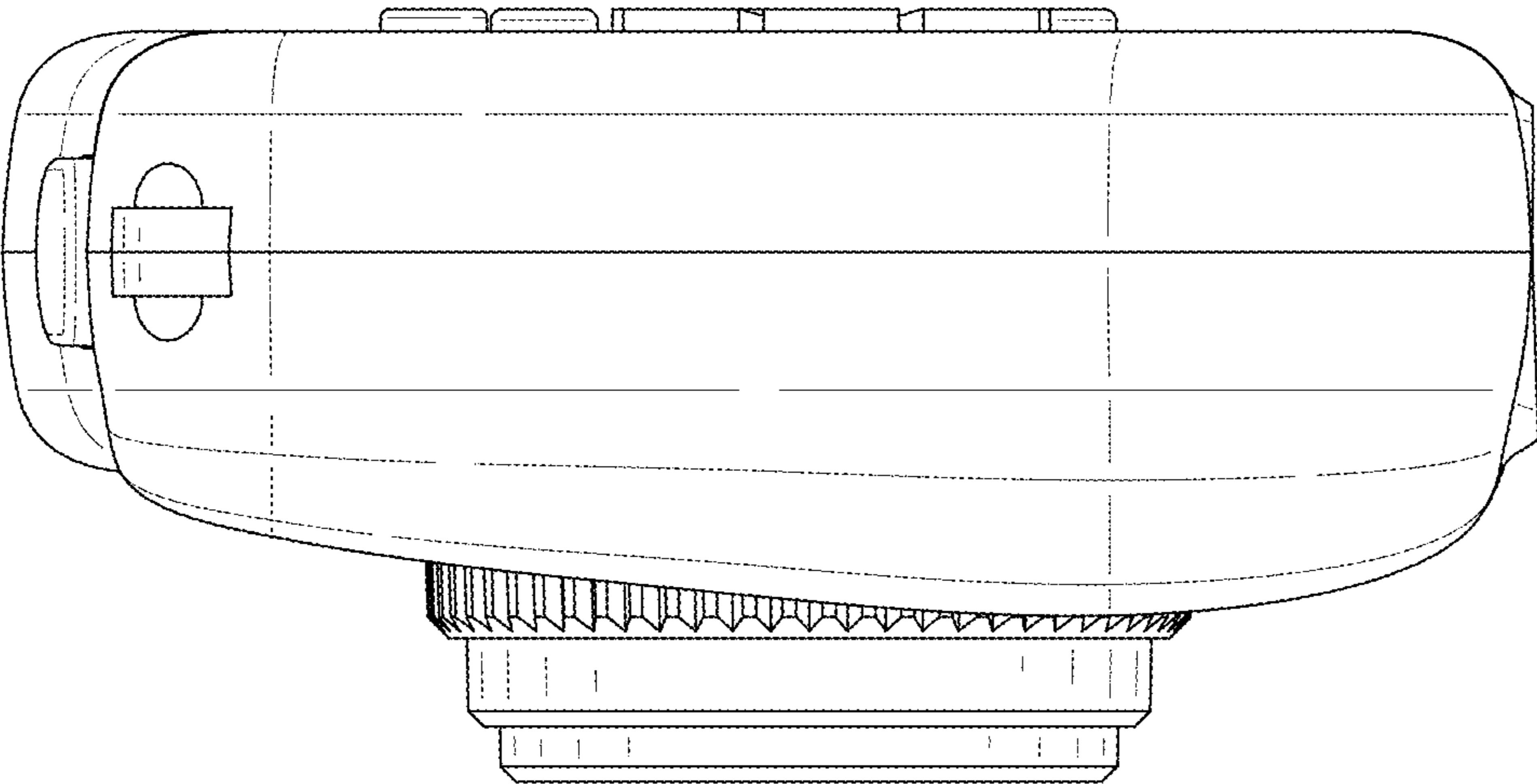


FIG. 5

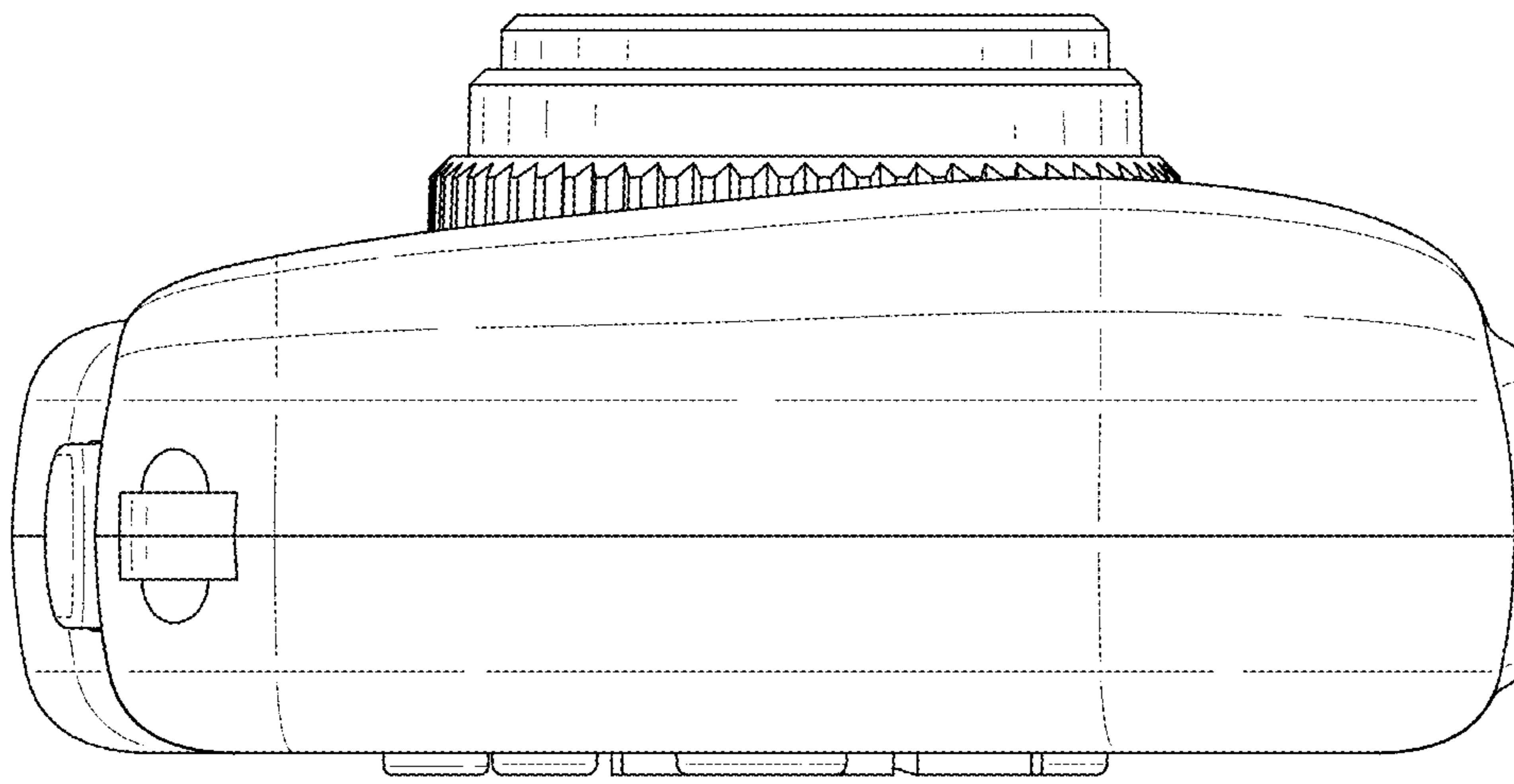


FIG. 6

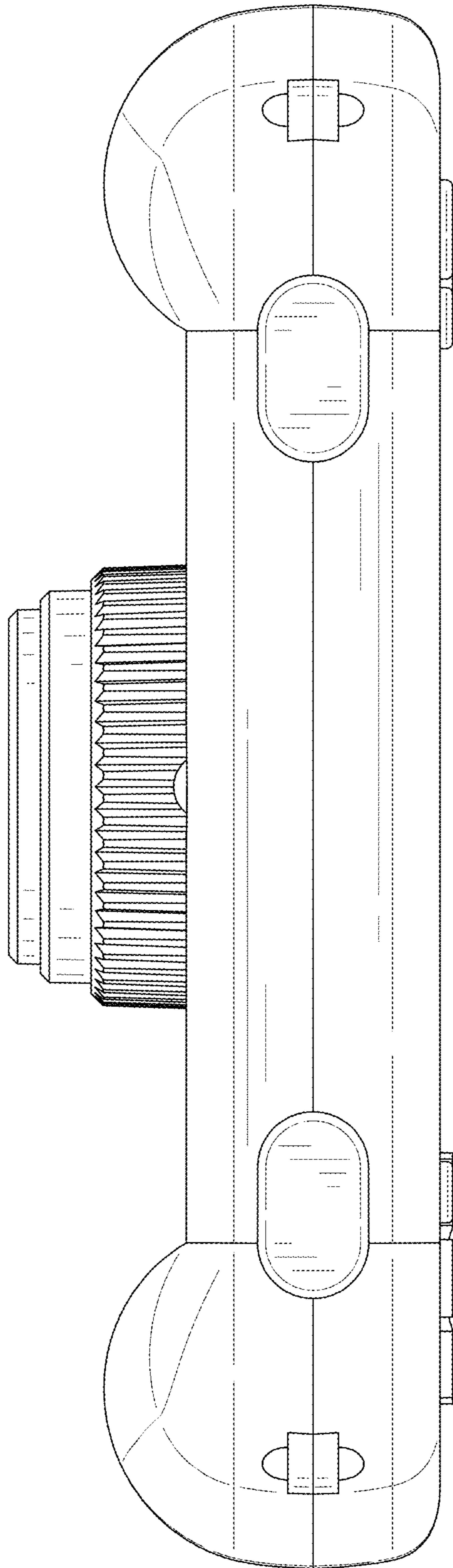


FIG. 7



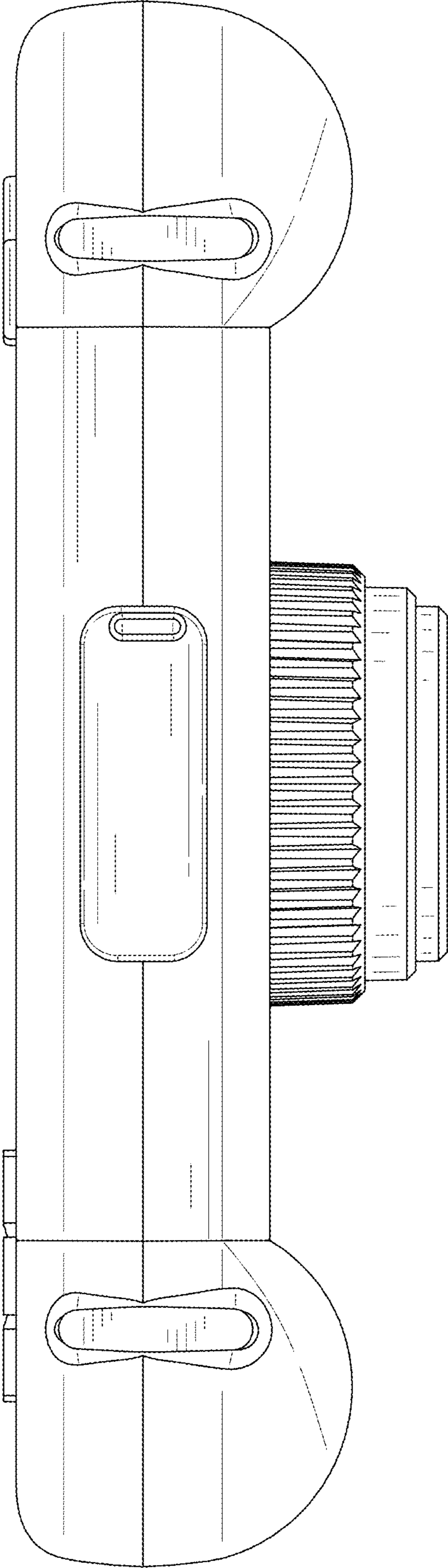


FIG. 8

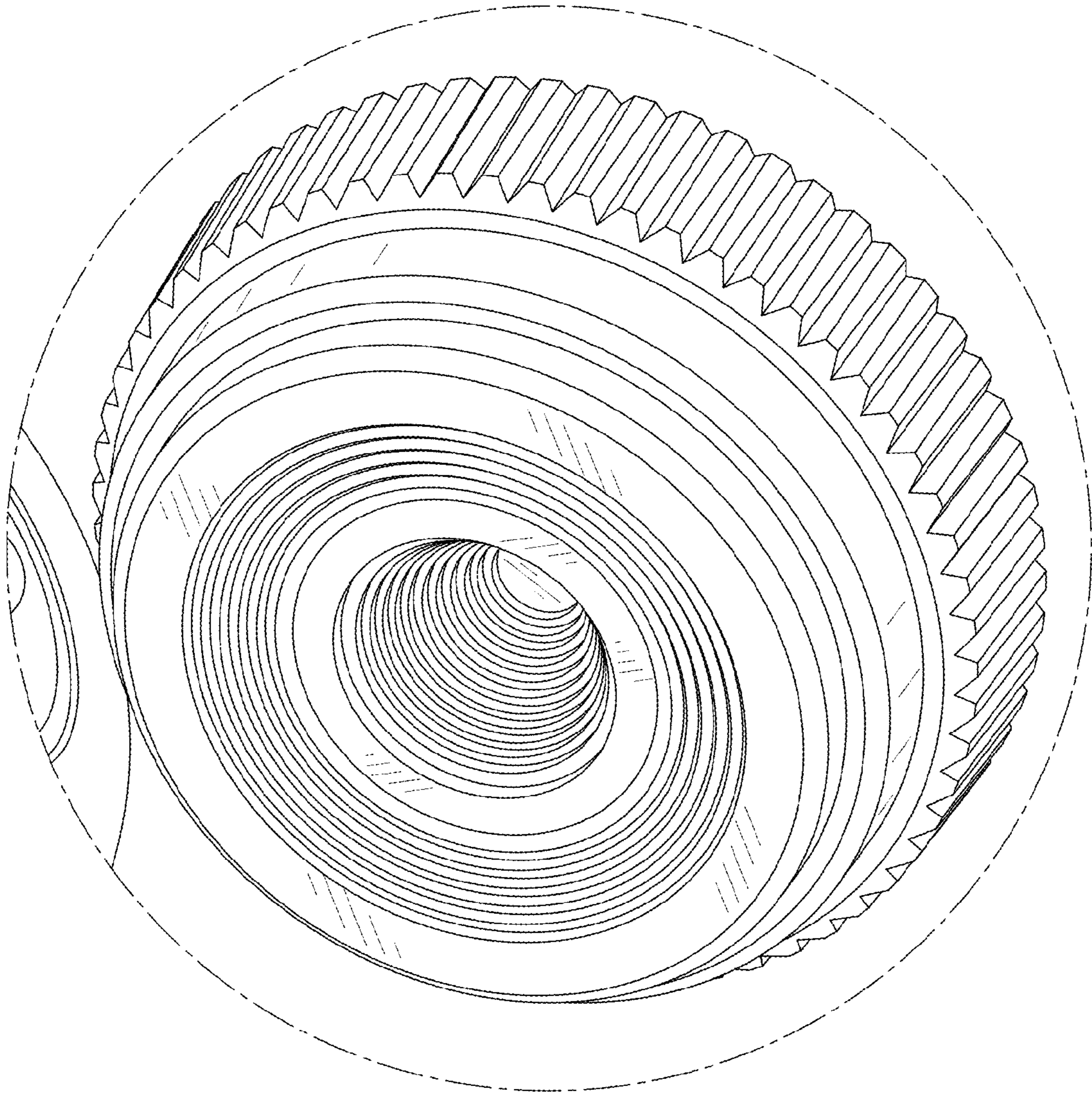


FIG. 9