



US00D910103S

(12) **United States Design Patent** (10) **Patent No.:** **US D910,103 S**
Park (45) **Date of Patent:** **** Feb. 9, 2021**

(54) **ELECTRONIC MAGNIFIER**
(71) Applicant: **C&P CO., LTD.**, Busan (KR)
(72) Inventor: **Kyeong Min Park**, Seoul (KR)
(73) Assignee: **C&P CO., LTD.**, Busan (KR)
(**) Term: **15 Years**

D634,762 S * 3/2011 Levine D16/135
D664,584 S * 7/2012 Turpault D16/225
D682,905 S * 5/2013 Kendall D16/135
D707,740 S * 6/2014 Kawai G02B 27/028
D16/135
D756,442 S * 5/2016 Bourque D16/225
D848,516 S * 5/2019 Park D16/225
D884,045 S * 5/2020 Lin D16/135

* cited by examiner

(21) Appl. No.: **29/688,050**
(22) Filed: **Apr. 17, 2019**

Primary Examiner — Holly E Thurman
(74) *Attorney, Agent, or Firm* — Bayramoglu Law Offices LLC

(30) **Foreign Application Priority Data**

(57) **CLAIM**

Oct. 22, 2018 (KR) 30-2018-0048570

The ornamental design for electronic magnifier, as shown and described.

(51) **LOC (13) Cl.** **16-06**

(52) **U.S. Cl.**
USPC **D16/135**

DESCRIPTION

(58) **Field of Classification Search**
USPC D16/130, 134, 135, 136; D10/62, 71
CPC G01B 3/04
See application file for complete search history.

FIG. 1 is a perspective view of electronic magnifier, showing my new design;
FIG. 2 is a front view thereof;
FIG. 3 is a rear view thereof;
FIG. 4 is a right side view thereof;
FIG. 5 is a left side view thereof;
FIG. 6 is a top view thereof;
FIG. 7 is a bottom view thereof;
FIG. 8 is a right side view of a first use status thereof;
FIG. 9 is a perspective view of the first use status thereof;
FIG. 10 is a perspective view of a second use status thereof;
and,
FIG. 11 is a partial enlarged view of the indicated area "11" in the FIG. 2.

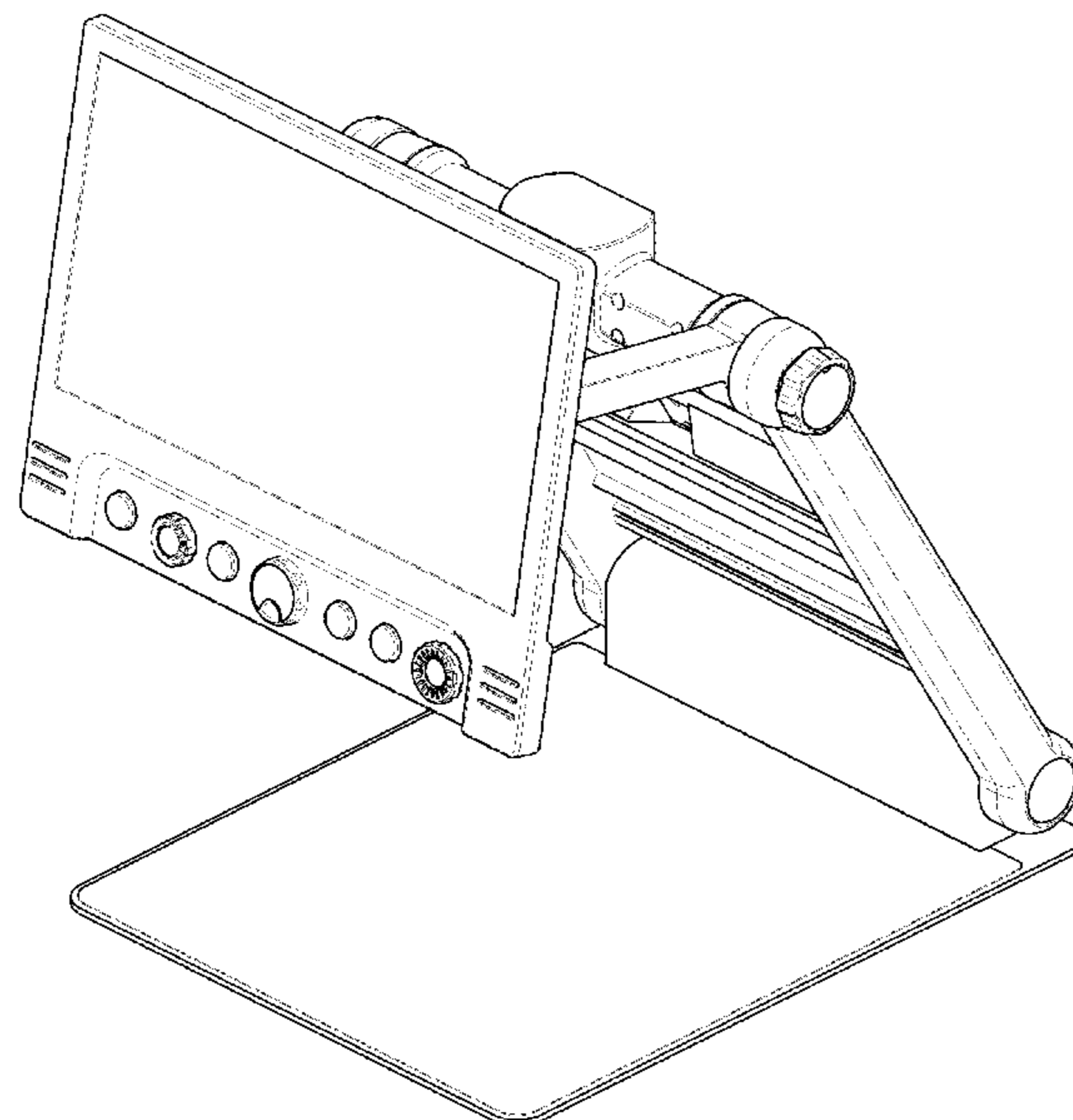
(56) **References Cited**

U.S. PATENT DOCUMENTS

D168,546 S * 1/1953 Iglar et al. D16/135
D219,065 S * 10/1970 Zelnick D10/62
D256,589 S * 8/1980 Iwashita D16/135
D366,884 S * 2/1996 Sloan D16/135
D382,577 S * 8/1997 Waldmann D16/135
6,022,119 A * 2/2000 Booty, Jr. F21V 27/00
362/419
D426,860 S * 6/2000 Ho D21/333
D470,161 S * 2/2003 Lee D16/135
D488,493 S * 4/2004 Stachowski D16/135
D488,824 S * 4/2004 Hussaini D16/135
D488,825 S * 4/2004 Hussaini D16/135
D614,219 S * 4/2010 Yip D16/135
D631,903 S * 2/2011 Sugiyama D16/225
D633,541 S * 3/2011 Khubani D16/135

The broken lines depict portions of an electronic magnifier in which the design is embodied that form no part of the claimed design.
The dot-dash broken lines indicating an enlargement portion of the design form no part of the claimed design.

1 Claim, 11 Drawing Sheets



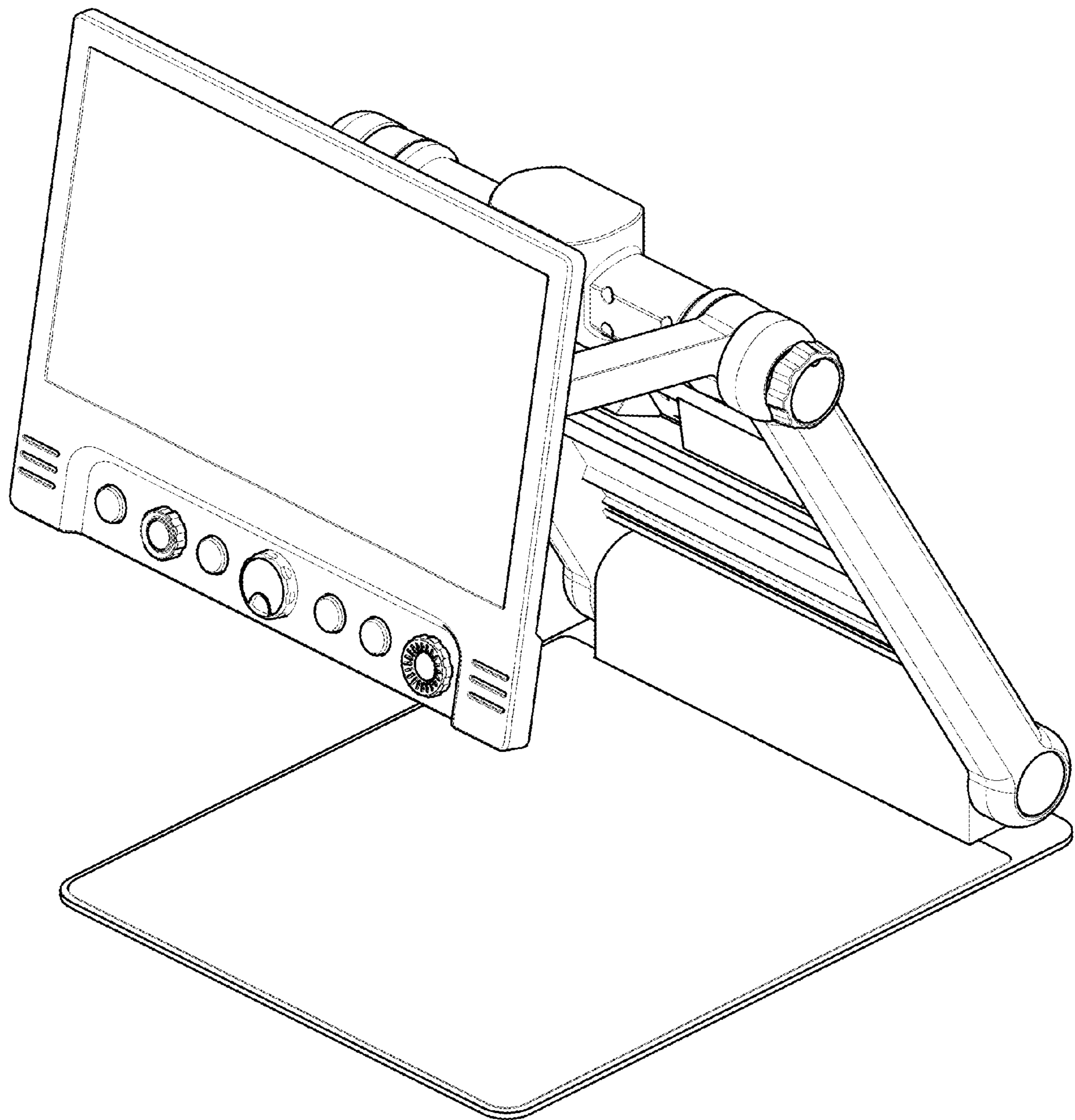


Fig. 1

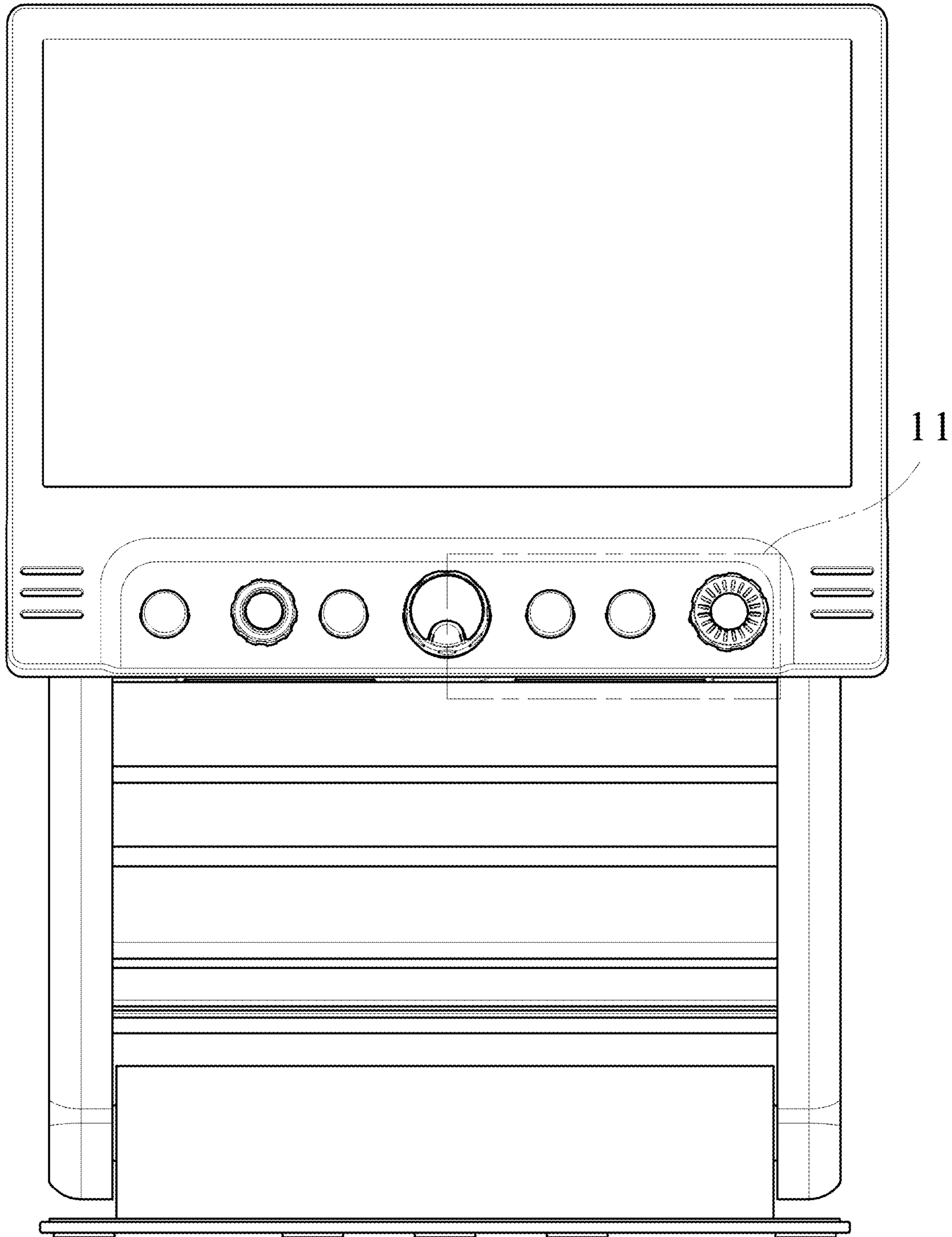


Fig. 2

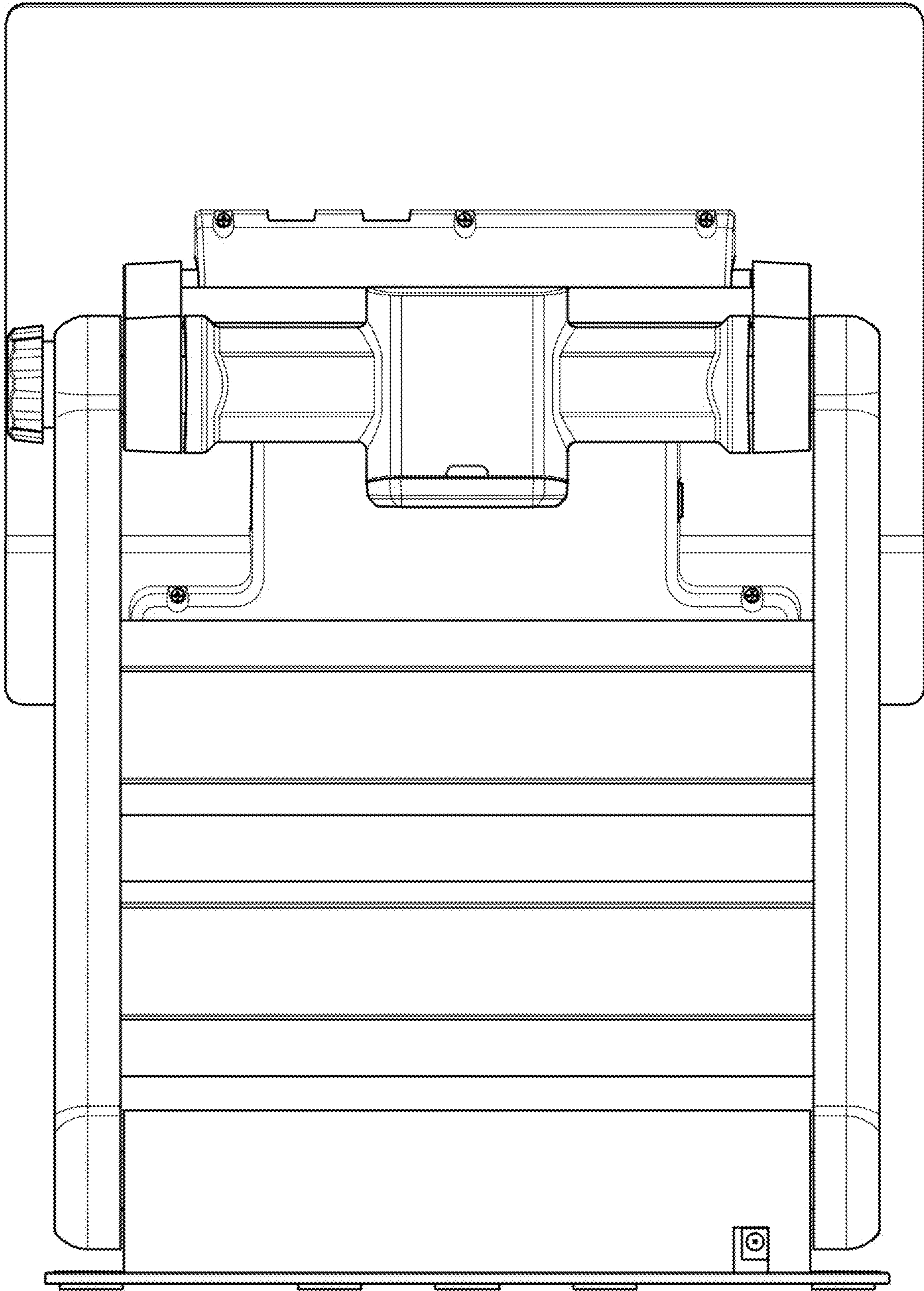


Fig. 3

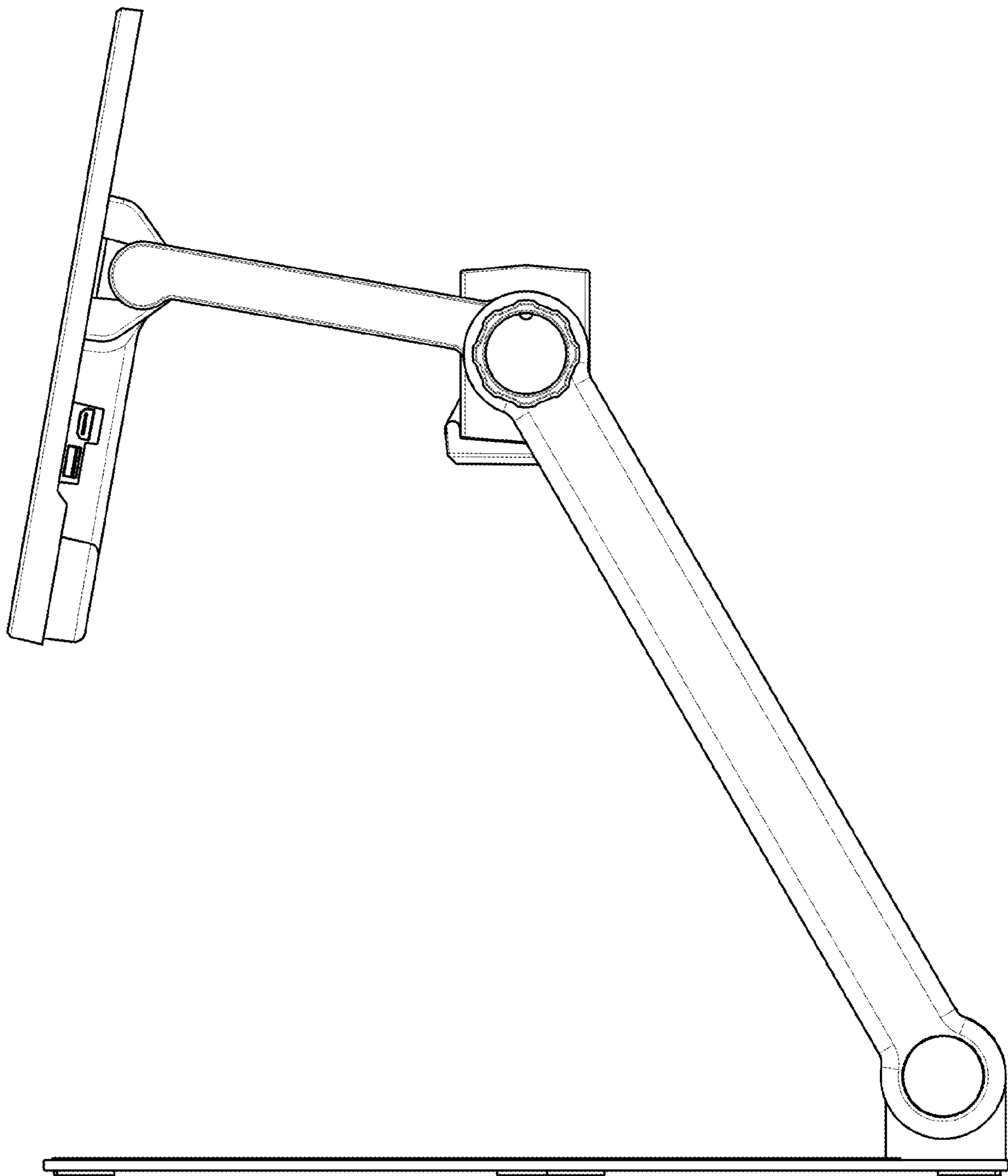


Fig. 4

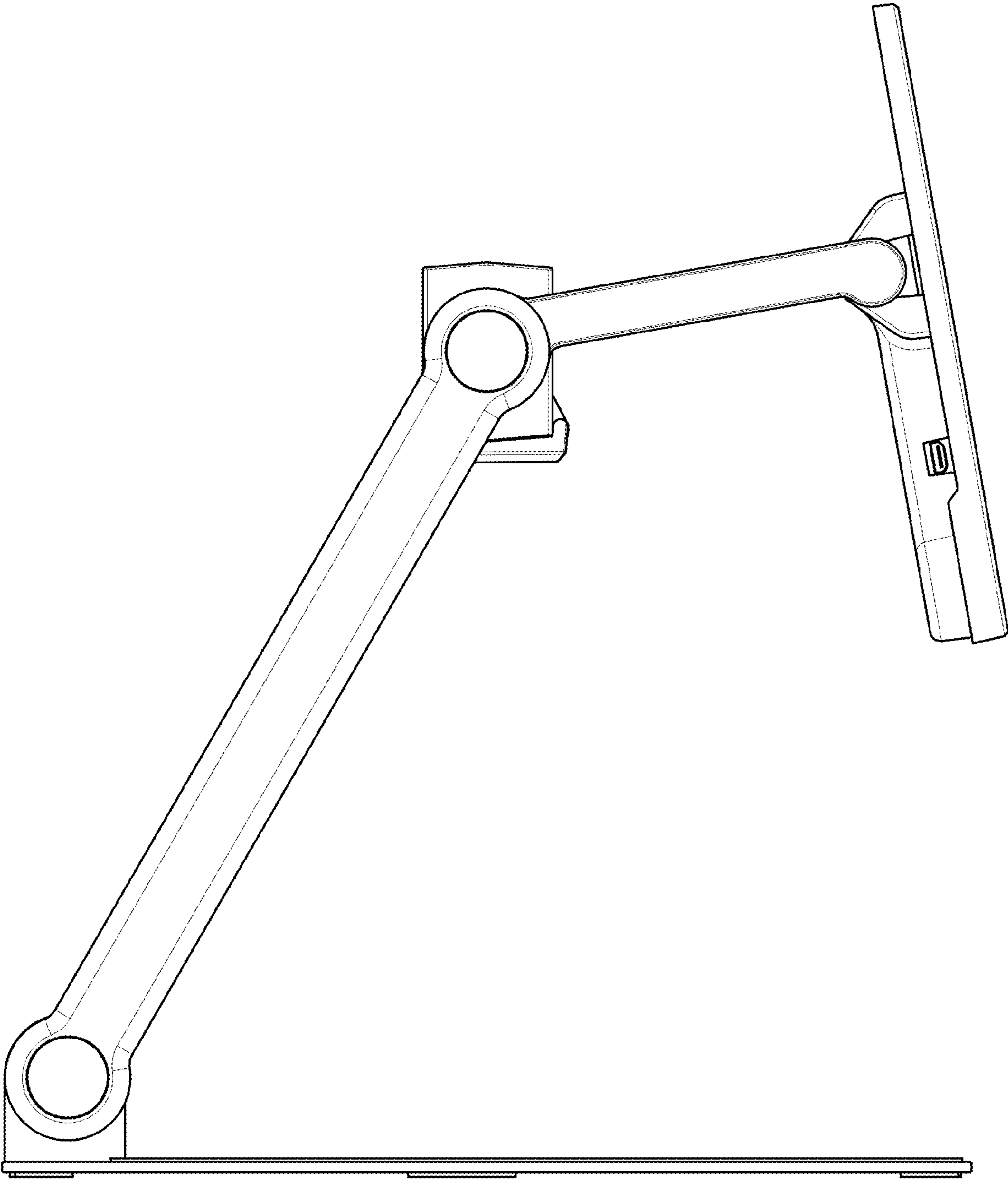


Fig. 5

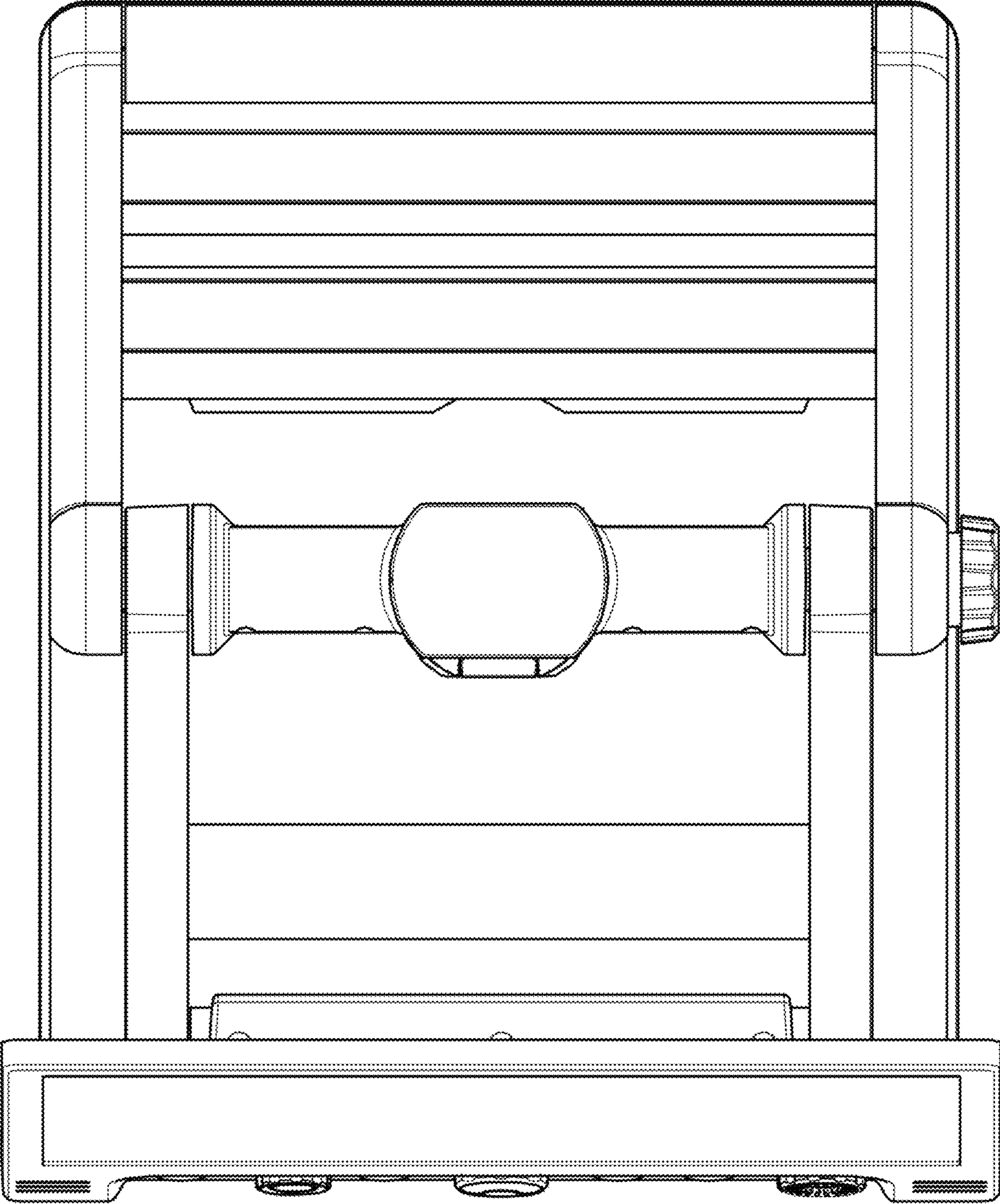


Fig. 6

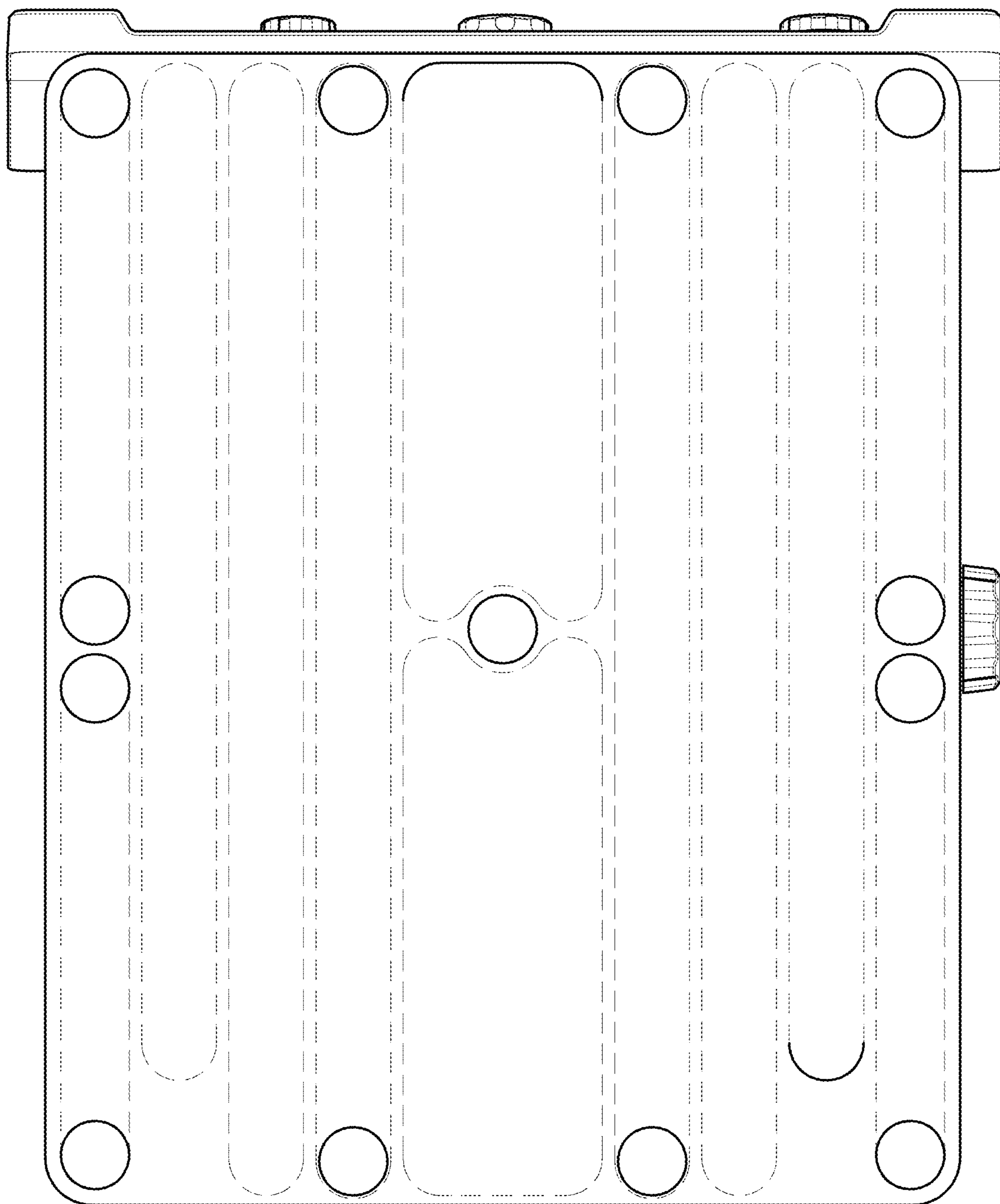


Fig. 7

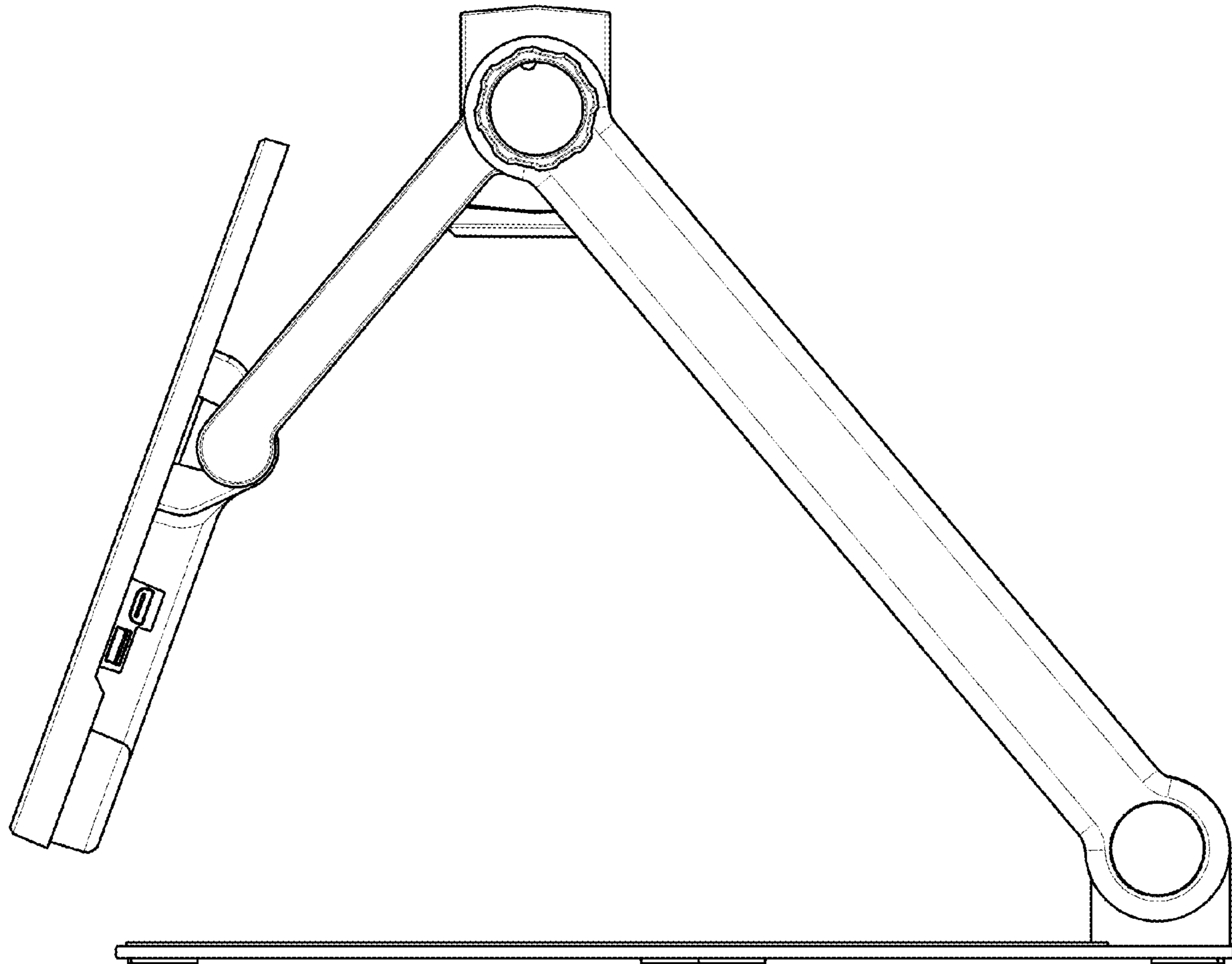


Fig. 8

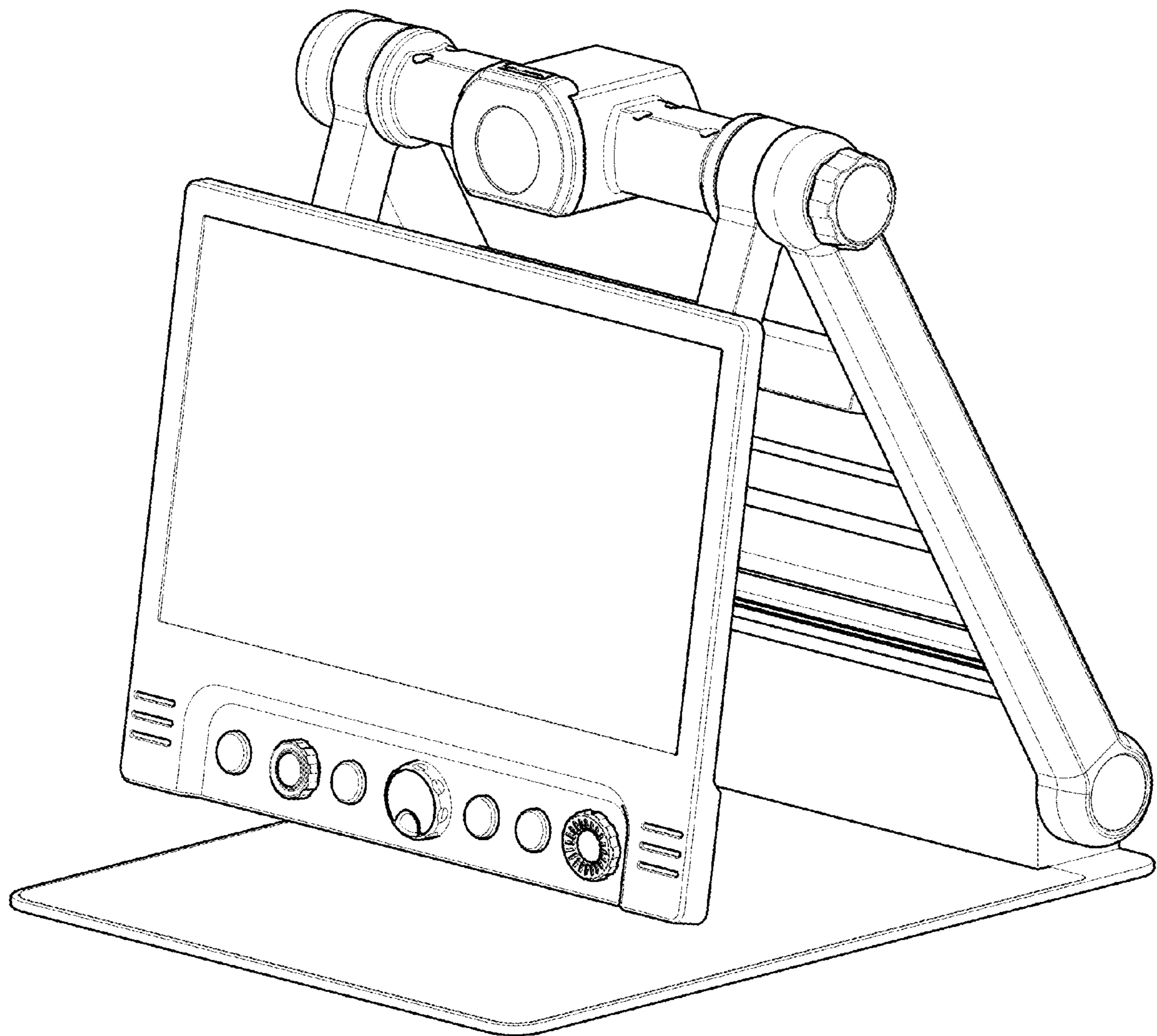


Fig. 9

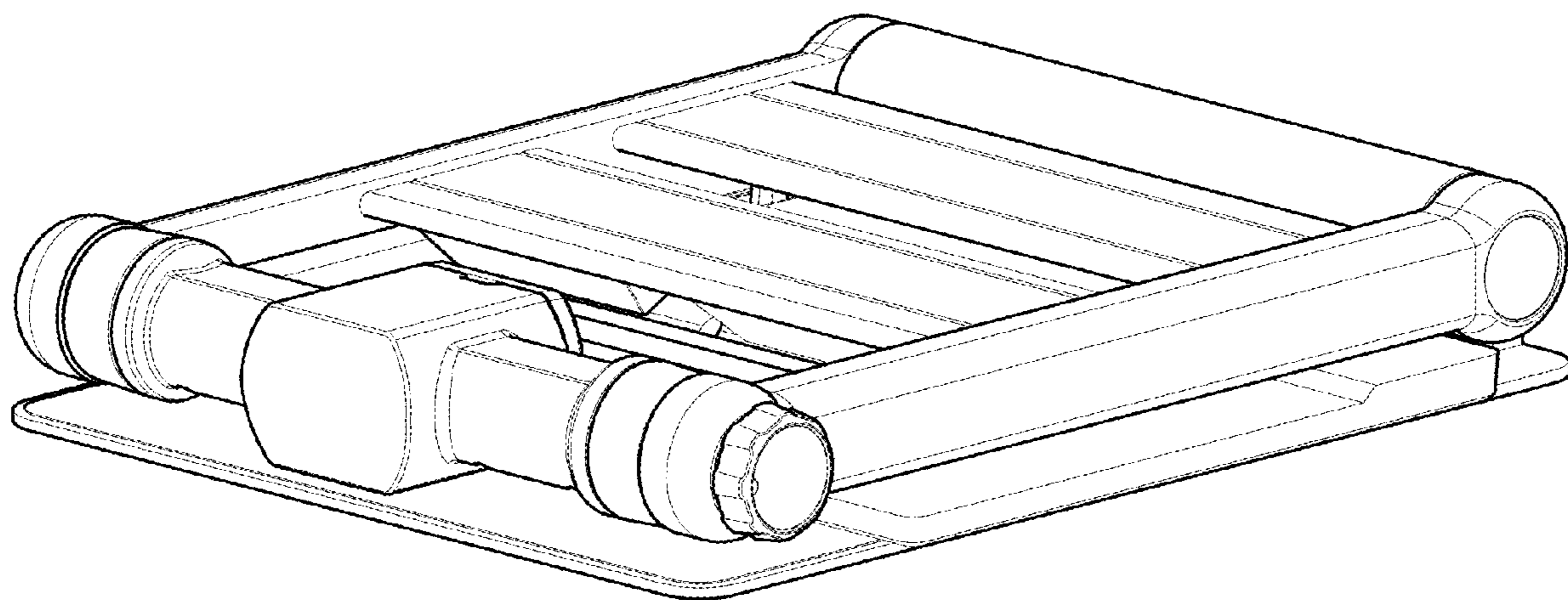


Fig. 10

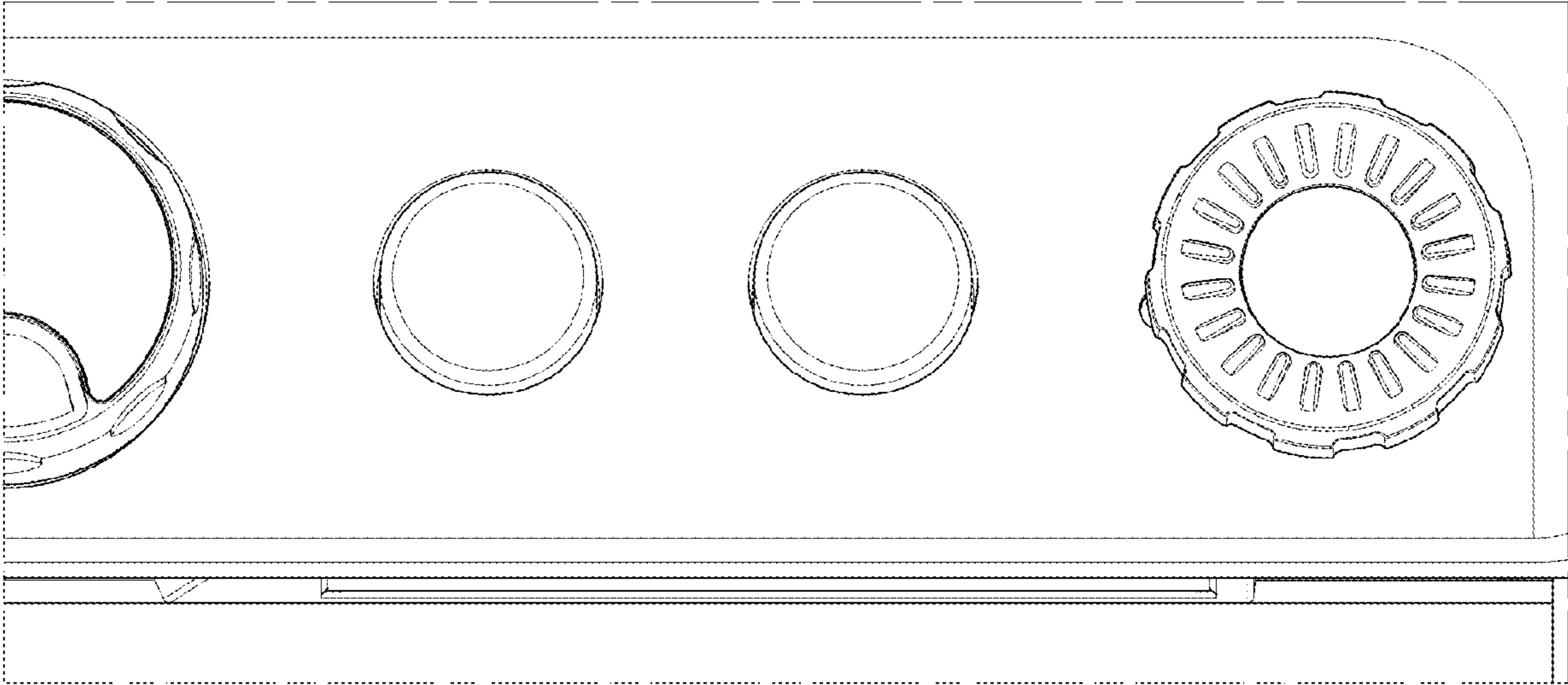


Fig. 11