



US00D910102S

(12) **United States Design Patent** (10) **Patent No.:** **US D910,102 S**  
**Hamilton et al.** (45) **Date of Patent:** **\*\* Feb. 9, 2021**

(54) **MAGNIFIER**

(71) Applicant: **Sheltered Wings, Inc.**, Barneveld, WI (US)

(72) Inventors: **David M. Hamilton**, Barneveld, WI (US); **Michael A. Rosen**, Barneveld, WI (US)

(73) Assignee: **SHELTERED WINGS, INC.**, Barneveld, WI (US)

(\*\*) Term: **15 Years**

(21) Appl. No.: **29/674,221**

(22) Filed: **Dec. 20, 2018**

(51) **LOC (13) Cl.** ..... **16-06**

(52) **U.S. Cl.**  
USPC ..... **D16/132**

(58) **Field of Classification Search**  
USPC ..... D16/130, 131, 132, 136; D22/108, 109; D13/133  
CPC ... G01C 3/00; G01C 3/02; G01C 3/04; G01C 3/06; G01C 3/08; G01C 3/085; G01C 3/10; G01C 3/12; G01C 3/16; G01C 3/18; G01C 3/20  
See application file for complete search history.

D595,754 S \* 7/2009 Hamilton ..... D16/132  
D611,848 S \* 3/2010 Liu ..... D10/70  
D613,813 S \* 4/2010 Larsson ..... D22/109  
D646,705 S \* 10/2011 Wu ..... D16/132  
D676,886 S \* 2/2013 Hoshi ..... D16/132  
D816,795 S \* 5/2018 Vogl ..... D22/109  
D817,376 S \* 5/2018 Vogl ..... D16/132  
D842,723 S \* 3/2019 Nyhart ..... D10/70  
D845,795 S \* 4/2019 Kim ..... D10/70  
D852,311 S \* 6/2019 Honda ..... D22/109  
D865,544 S \* 11/2019 Yu ..... D10/70  
D865,545 S \* 11/2019 Yu ..... D10/70  
D870,174 S \* 12/2019 Ueno ..... D16/132  
D872,220 S \* 1/2020 Vogl ..... D22/109  
D895,457 S \* 9/2020 Zhang ..... D10/70

\* cited by examiner

*Primary Examiner* — Mark A Goodwin  
*Assistant Examiner* — Benjamin M Weeks  
(74) *Attorney, Agent, or Firm* — Husch Blackwell LLP

(57) **CLAIM**

The ornamental design for a magnifier, as shown and described.

**DESCRIPTION**

FIG. 1 is an isometric view of a magnifier showing the new design;  
FIG. 2 is a front elevation view thereof;  
FIG. 3 is a rear elevation view thereof;  
FIG. 4 is a right elevation view thereof;  
FIG. 5 is a left elevation view thereof;  
FIG. 6 is a top elevation view thereof; and,  
FIG. 7 is a bottom elevation view thereof.  
The broken lines depicting in the drawings are for illustrative purposes only, and form no part of the claimed design.

**1 Claim, 4 Drawing Sheets**

(56) **References Cited**  
U.S. PATENT DOCUMENTS  
D376,377 S \* 12/1996 Palmer ..... D16/130  
D413,130 S \* 8/1999 Bryant ..... D16/132  
7,053,992 B2 \* 5/2006 LaBelle ..... G01C 3/08  
356/5.01  
D554,547 S \* 11/2007 Lin ..... D10/70

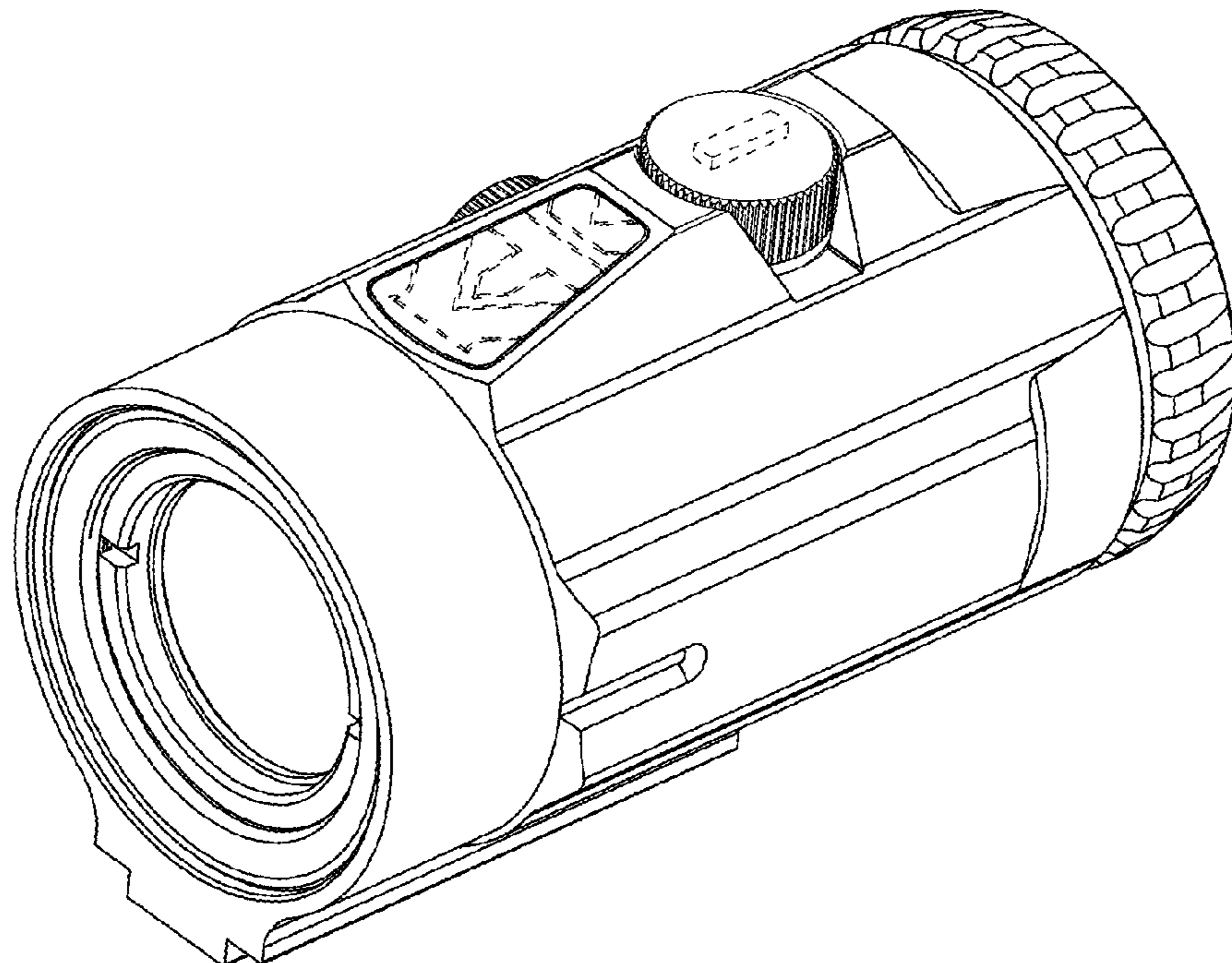


FIG. 1

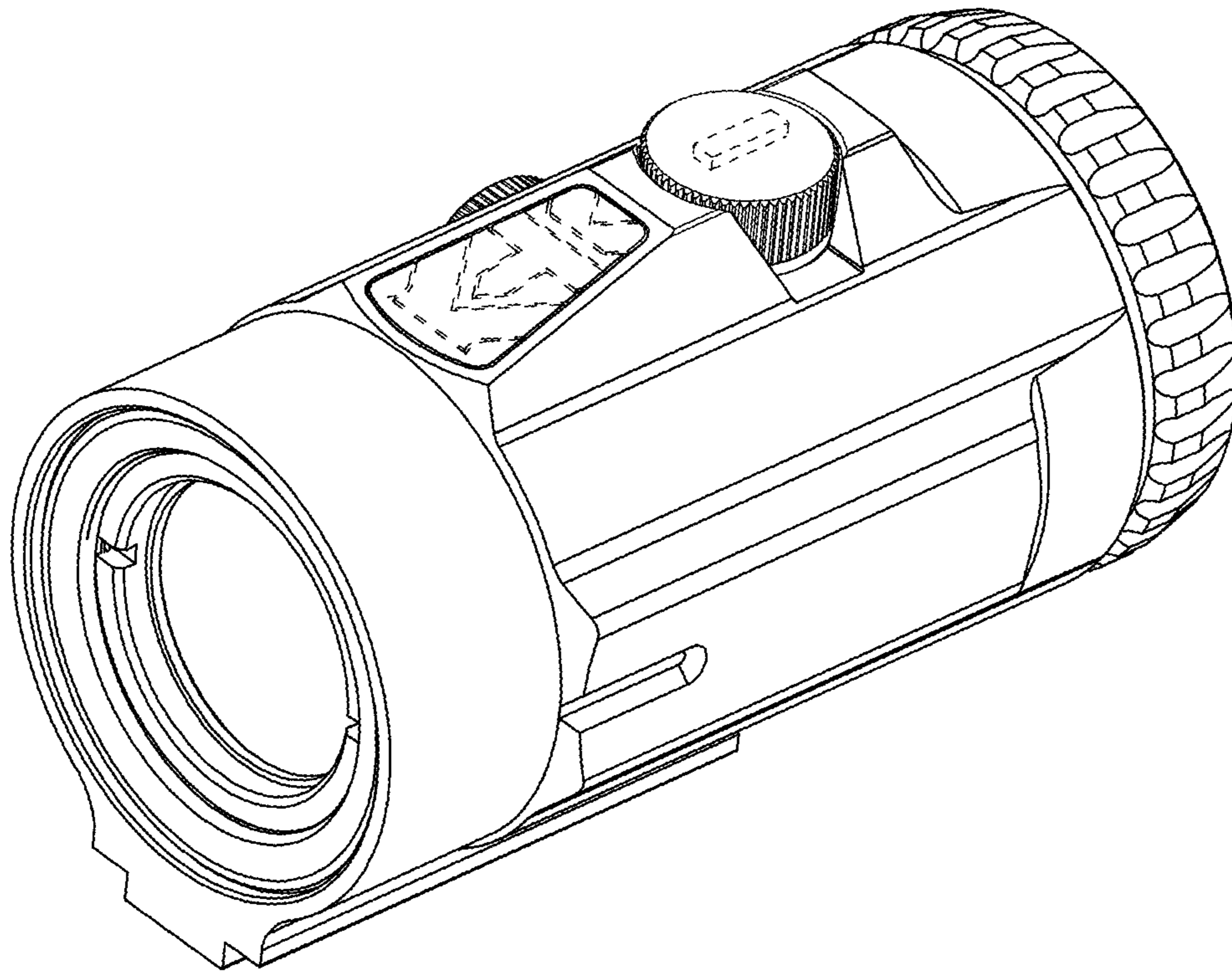


FIG. 2

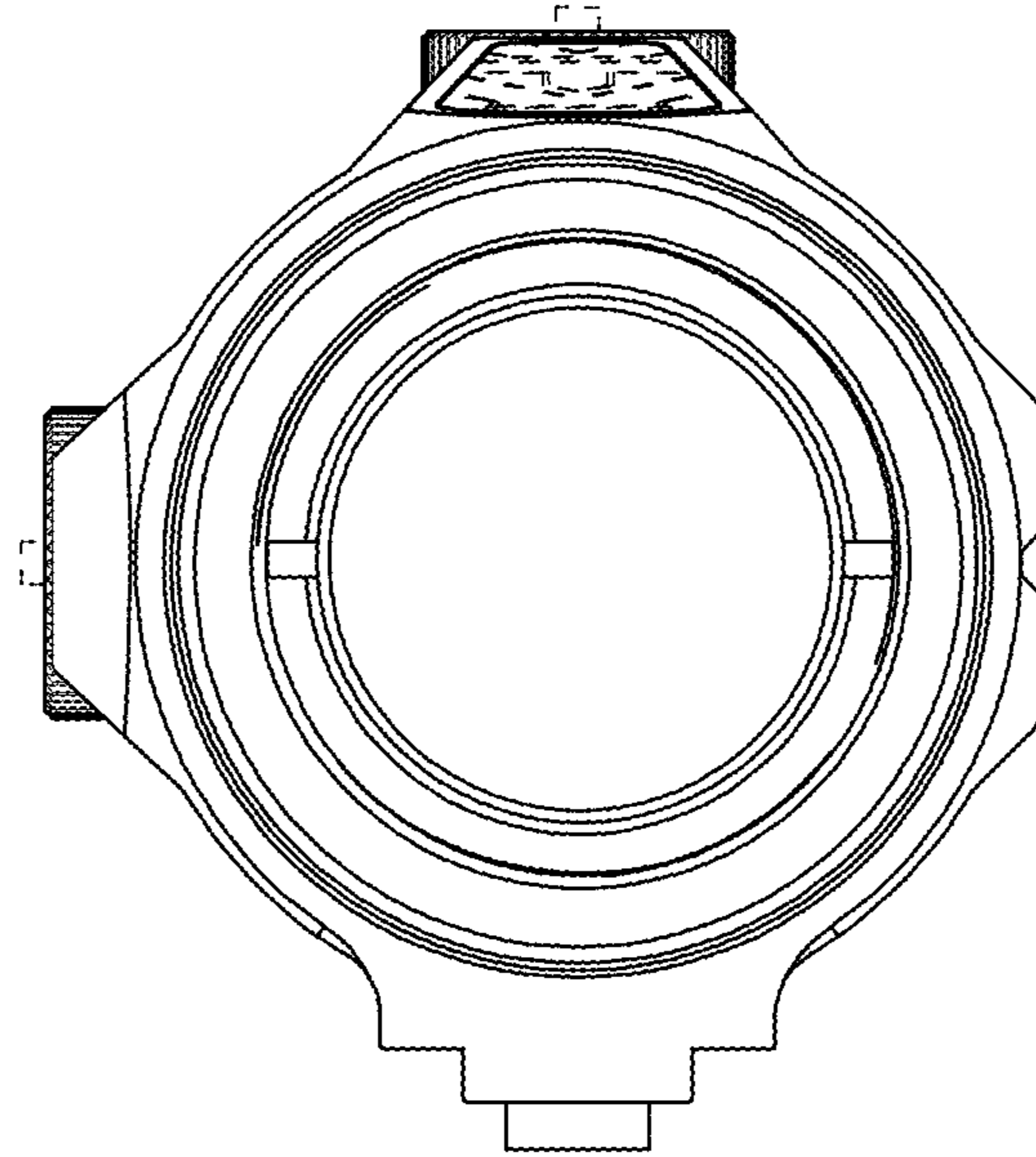


FIG. 3

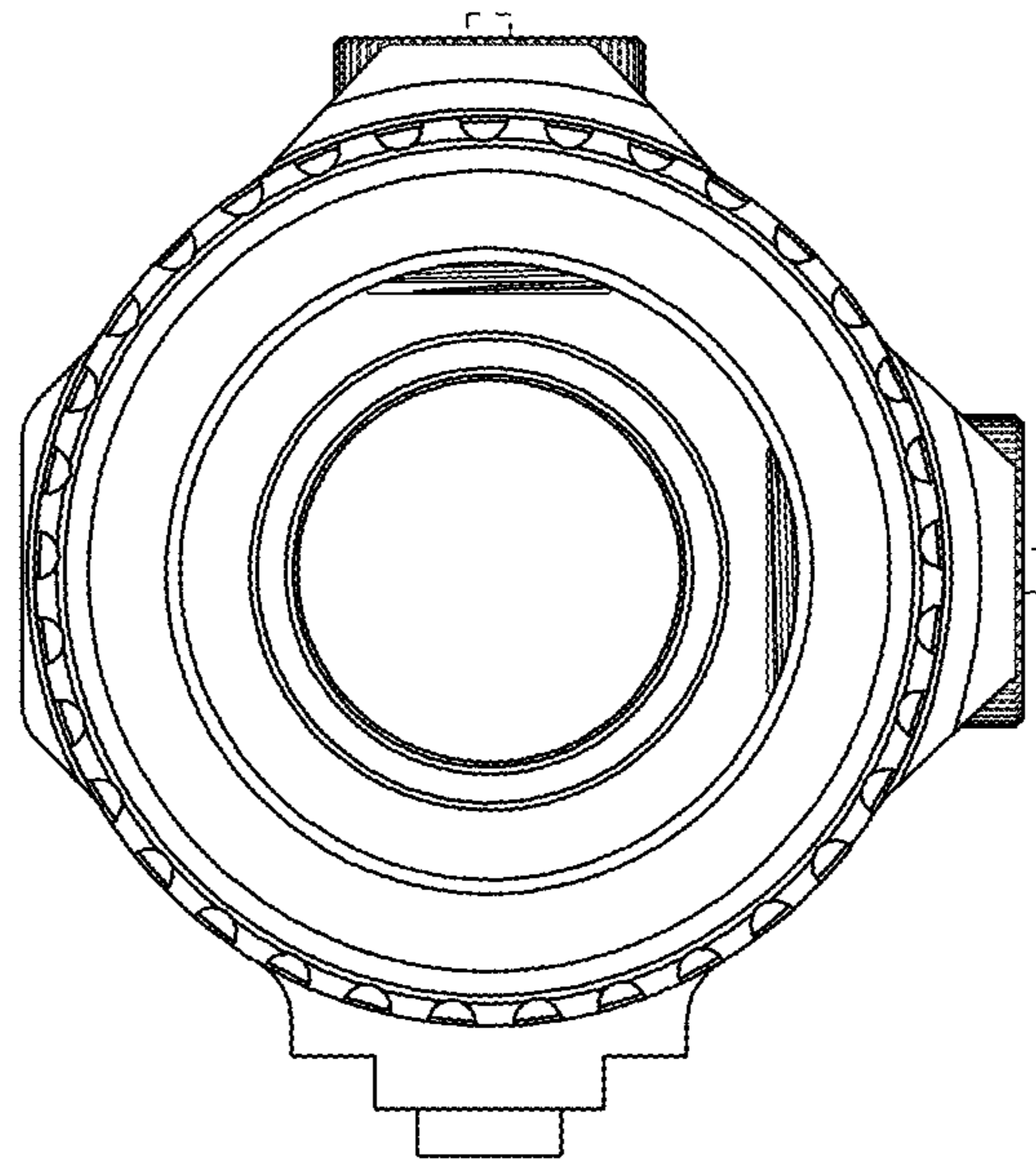




FIG. 4

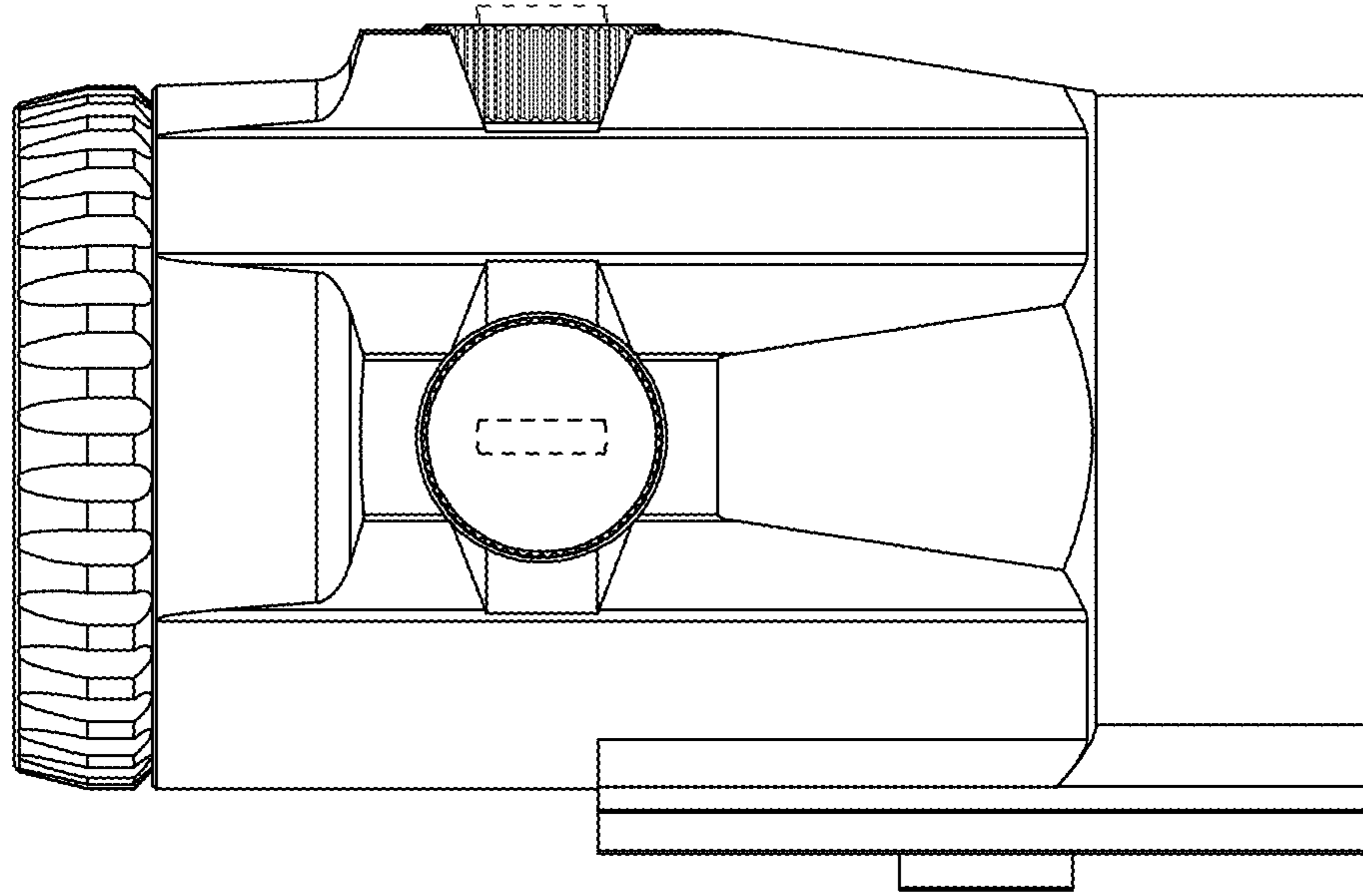


FIG. 5

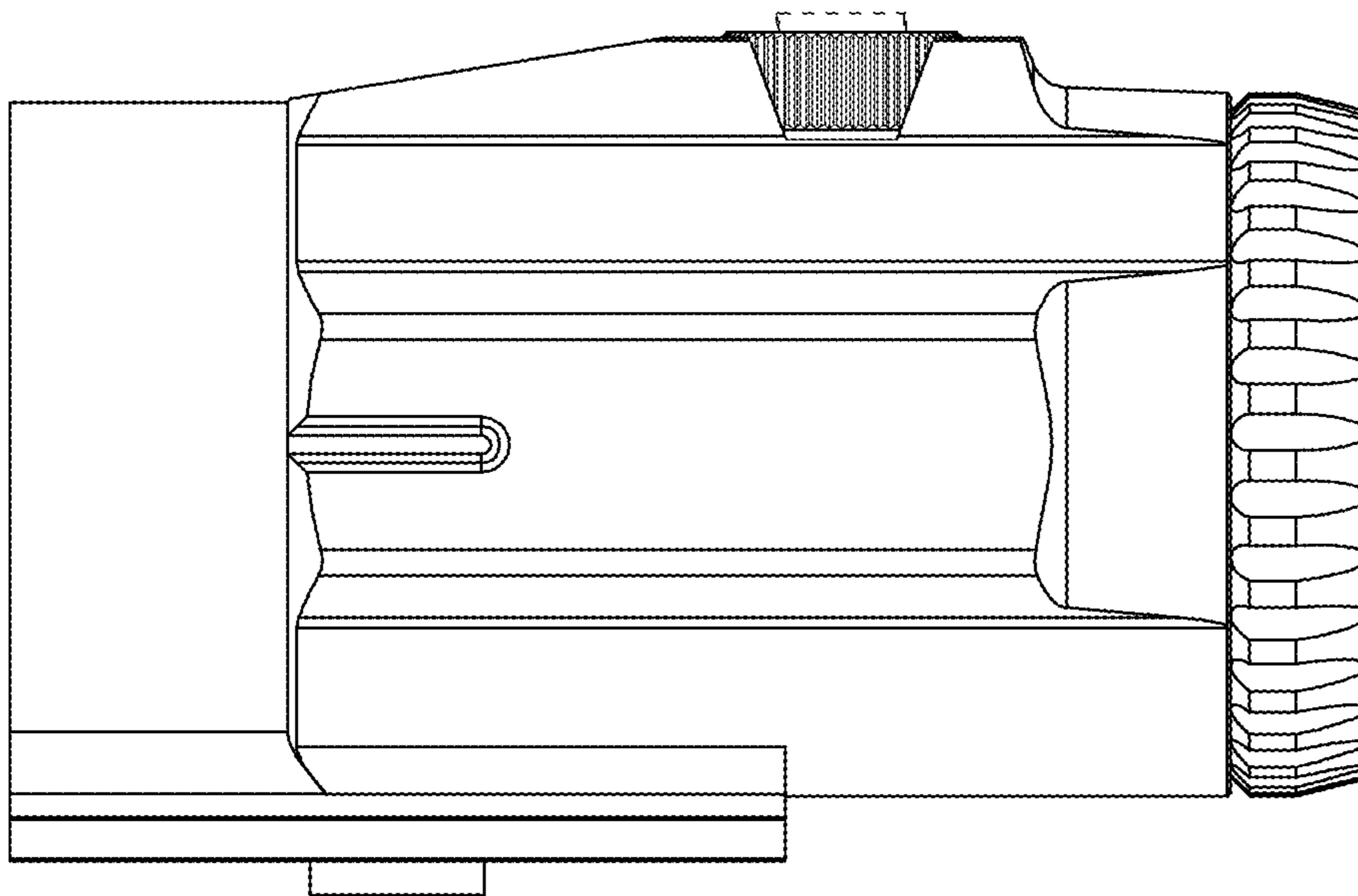


FIG. 6

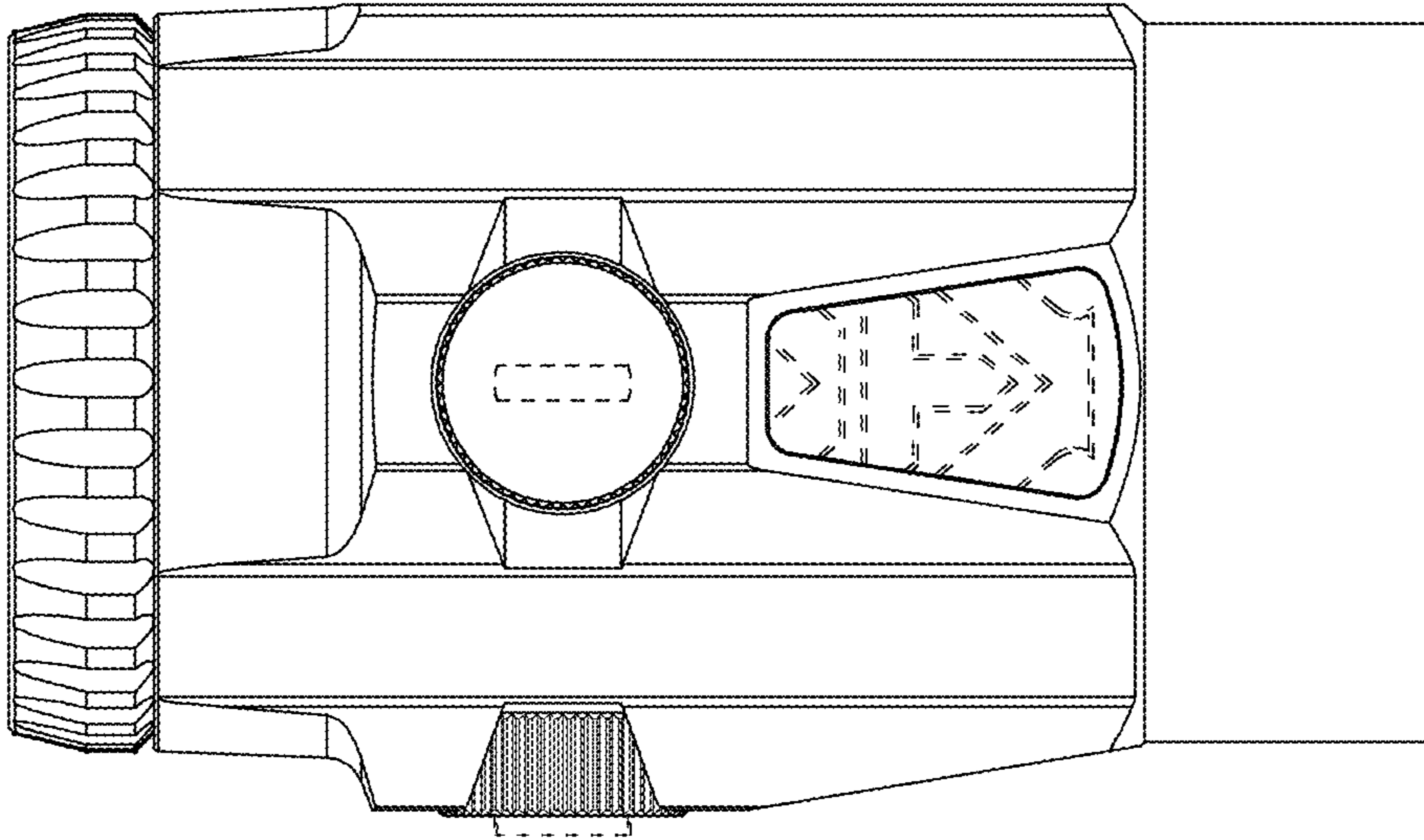


FIG. 7

