



US00D910101S

(12) **United States Design Patent** (10) **Patent No.:** **US D910,101 S**
Dacunha (45) **Date of Patent:** **** Feb. 9, 2021**

(54) **COVER FOR MICROSCOPE EYEPIECE**
(71) Applicant: **Matthew Dacunha**, Mission, KS (US)
(72) Inventor: **Matthew Dacunha**, Mission, KS (US)

D782,555 S * 3/2017 Apotheloz G02B 21/24
D16/131
D852,864 S * 7/2019 Ono D16/134
D852,868 S * 7/2019 Huang D16/203

(**) Term: **15 Years**
(21) Appl. No.: **29/679,575**
(22) Filed: **Feb. 7, 2019**

OTHER PUBLICATIONS

https://www.amazon.com/LabCam-Microscope-Telescope-Adapter-iPhone/dp/B0799QTHVR/ref=sr_1_1?ie=UTF8&qid=1545168564&sr=8-1&keywords=labcam+pro+microscope+adapter

(51) **LOC (13) Cl.** **16-06**
(52) **U.S. Cl.**
USPC **D16/131**

* cited by examiner

Primary Examiner — Mark A Goodwin
Assistant Examiner — Benjamin M Weeks
(74) *Attorney, Agent, or Firm* — Lathrop GPM, LLP

(58) **Field of Classification Search**
USPC D16/131, 136, 130, 132–135, 200, 202,
D16/203, 218, 219; D22/100, 108, 109,
D22/110, 199
CPC G02B 21/24; G02B 21/34; G02B 27/0006;
G02B 7/00; G02B 7/001; G02B 17/00;
G02B 1/00; G02B 1/002; G02B 1/0008;
G02B 1/0012; H04N 5/2251; H04N
5/2252; H04N 5/2253; H04N 5/2254;
H04N 2101/00

(57) **CLAIM**

The ornamental design for a cover for microscope eyepiece, as shown and described.

See application file for complete search history.

DESCRIPTION

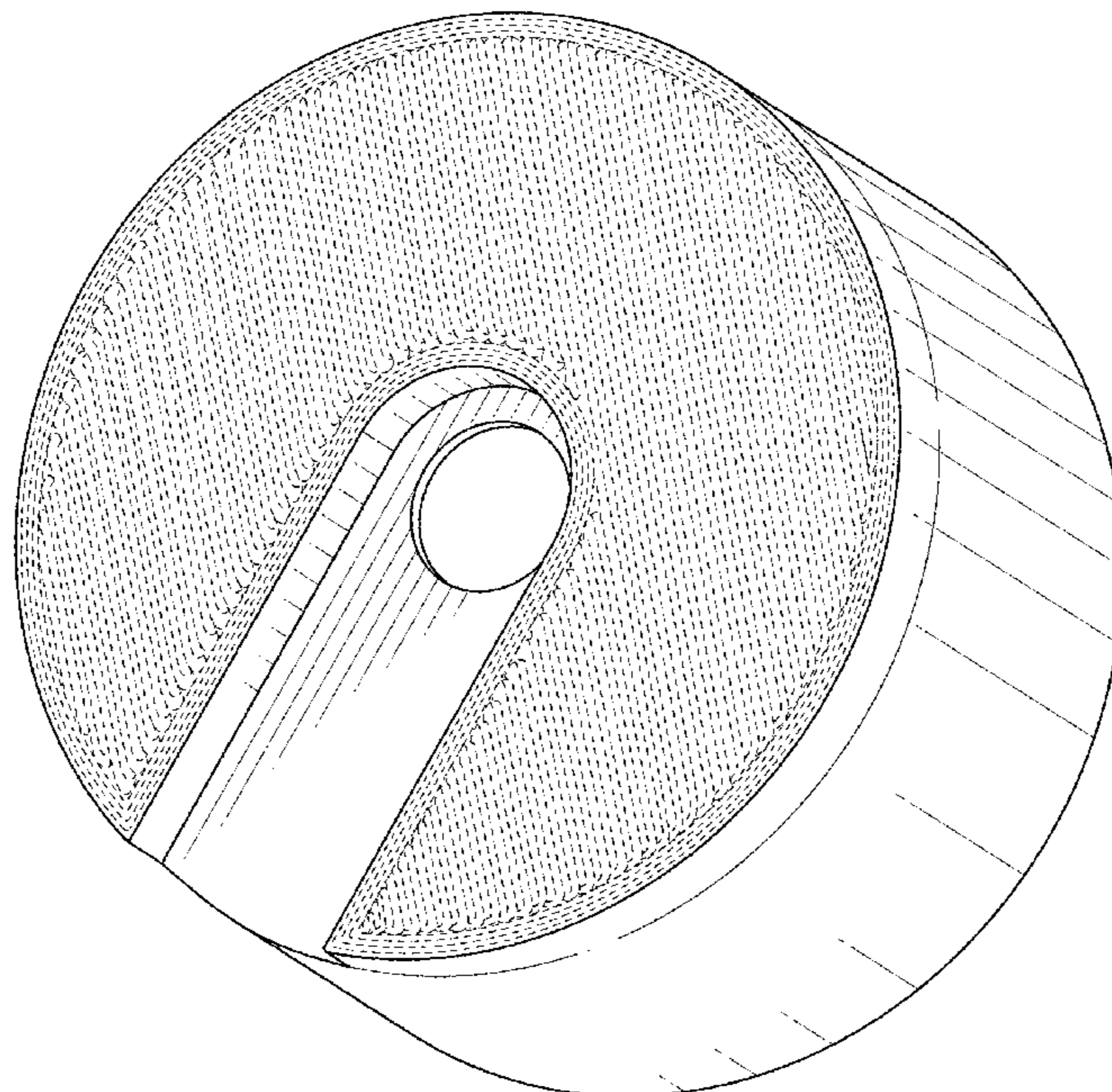
(56) **References Cited**

U.S. PATENT DOCUMENTS

D529,062 S * 9/2006 Matsuda D16/202
D698,847 S * 2/2014 Tainaka D16/219
D721,120 S * 1/2015 Oh D16/219
D725,691 S * 3/2015 De Rosa D16/202
D728,661 S * 5/2015 Kim D16/219
D730,422 S * 5/2015 Kim D16/218
D740,342 S * 10/2015 Asano D16/219
D740,345 S * 10/2015 Fujita D16/237
D750,688 S * 3/2016 Oh D16/219
D776,182 S * 1/2017 Lagerstedt D16/218

FIG. 1 is a front perspective view of a cover for microscope eyepiece showing my new design.
FIG. 2 is a top view of the cover for a microscope eyepiece of FIG. 1.
FIG. 3 is bottom view of the cover for a microscope eyepiece of FIG. 1.
FIG. 4 is a right-side view of the cover for a microscope eyepiece of FIG. 1.
FIG. 5 is a left-side view of the cover for a microscope eyepiece of FIG. 1.
FIG. 6 is a back view of the cover for a microscope eyepiece of FIG. 1; and,
FIG. 7 is a front view of the cover for a microscope eyepiece of FIG. 1.
The broken lines in the drawings depict environmental subject matter only and form no part of the claimed design.

1 Claim, 5 Drawing Sheets



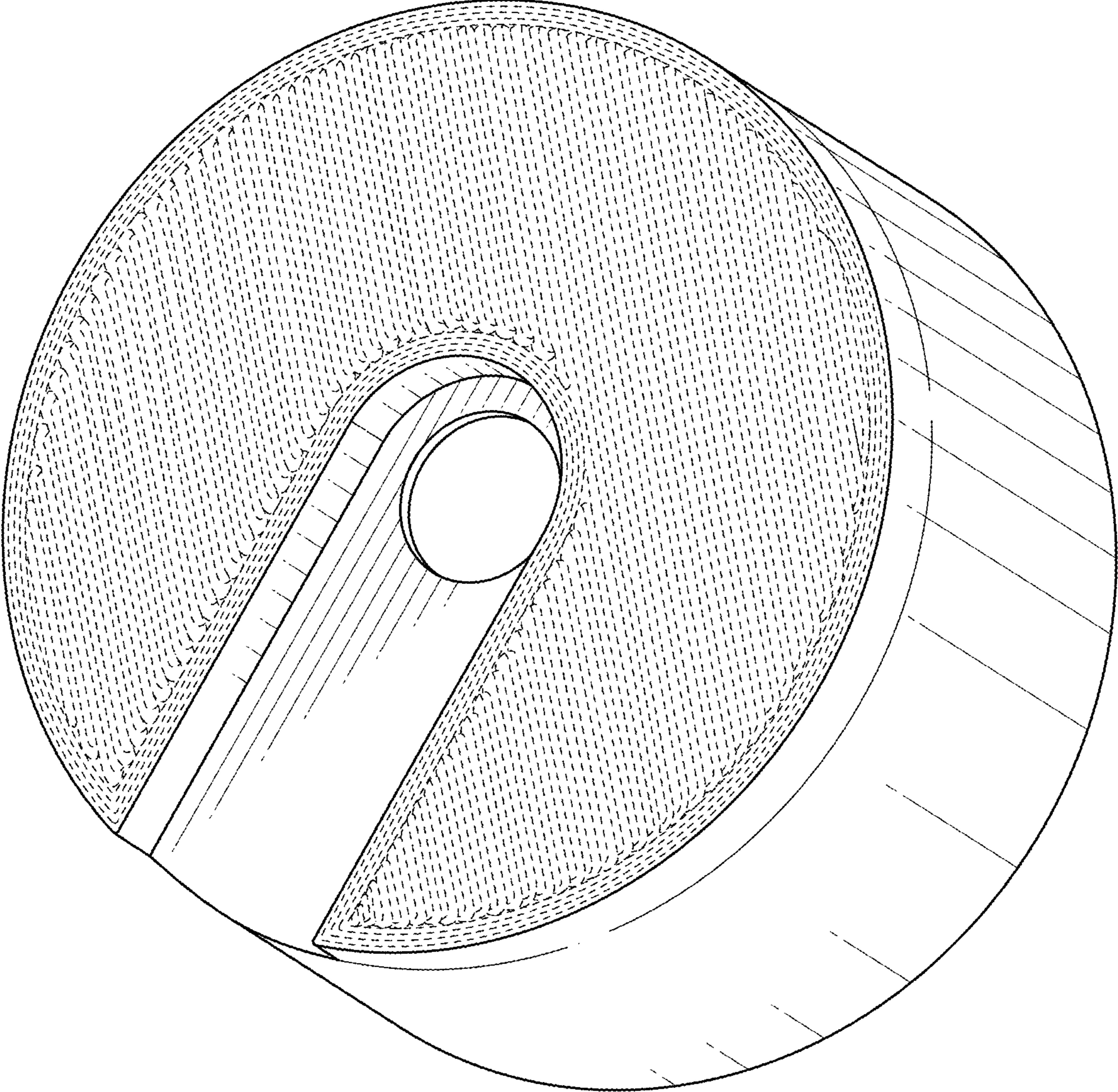


FIG. 1

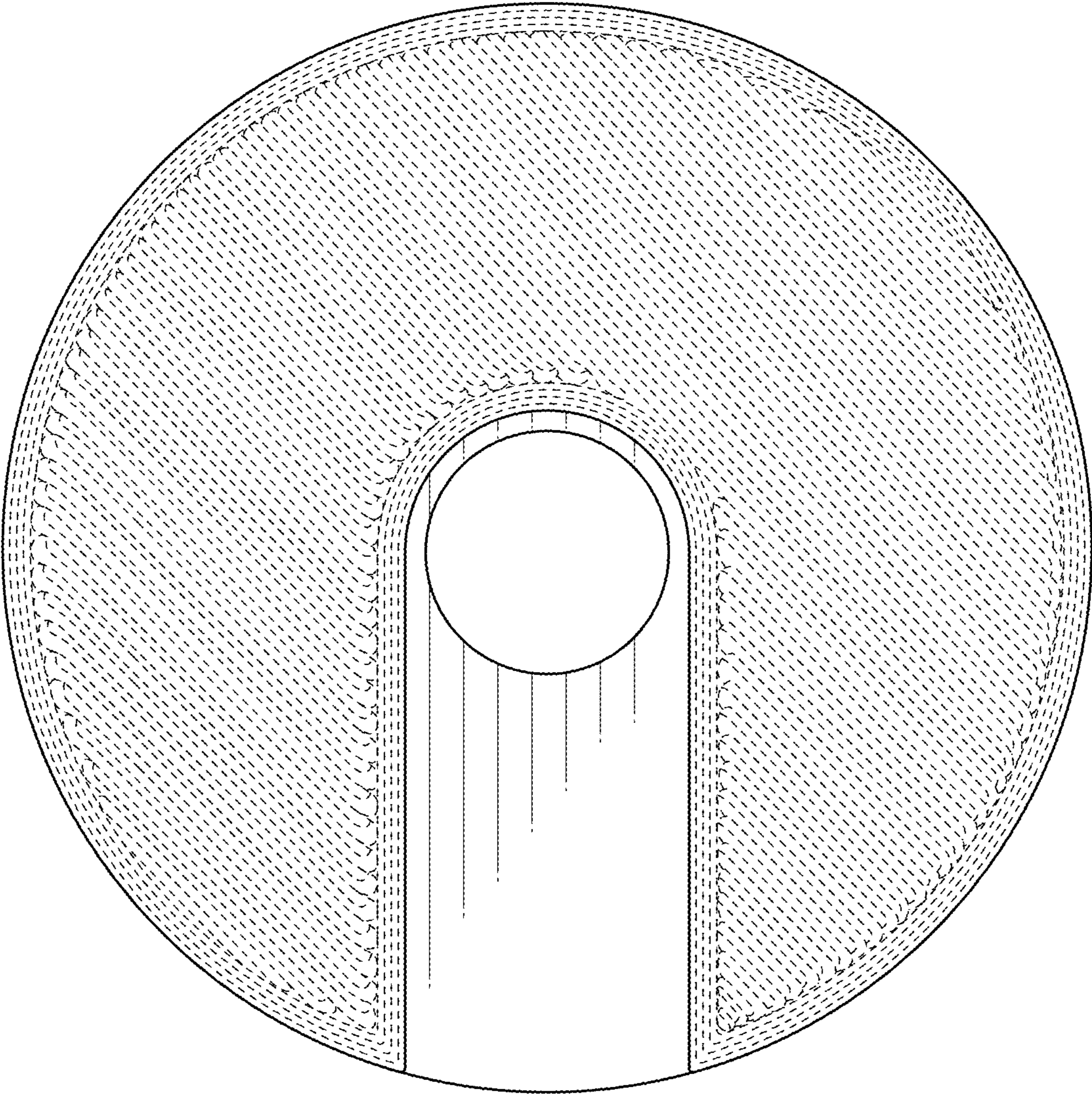


FIG. 2

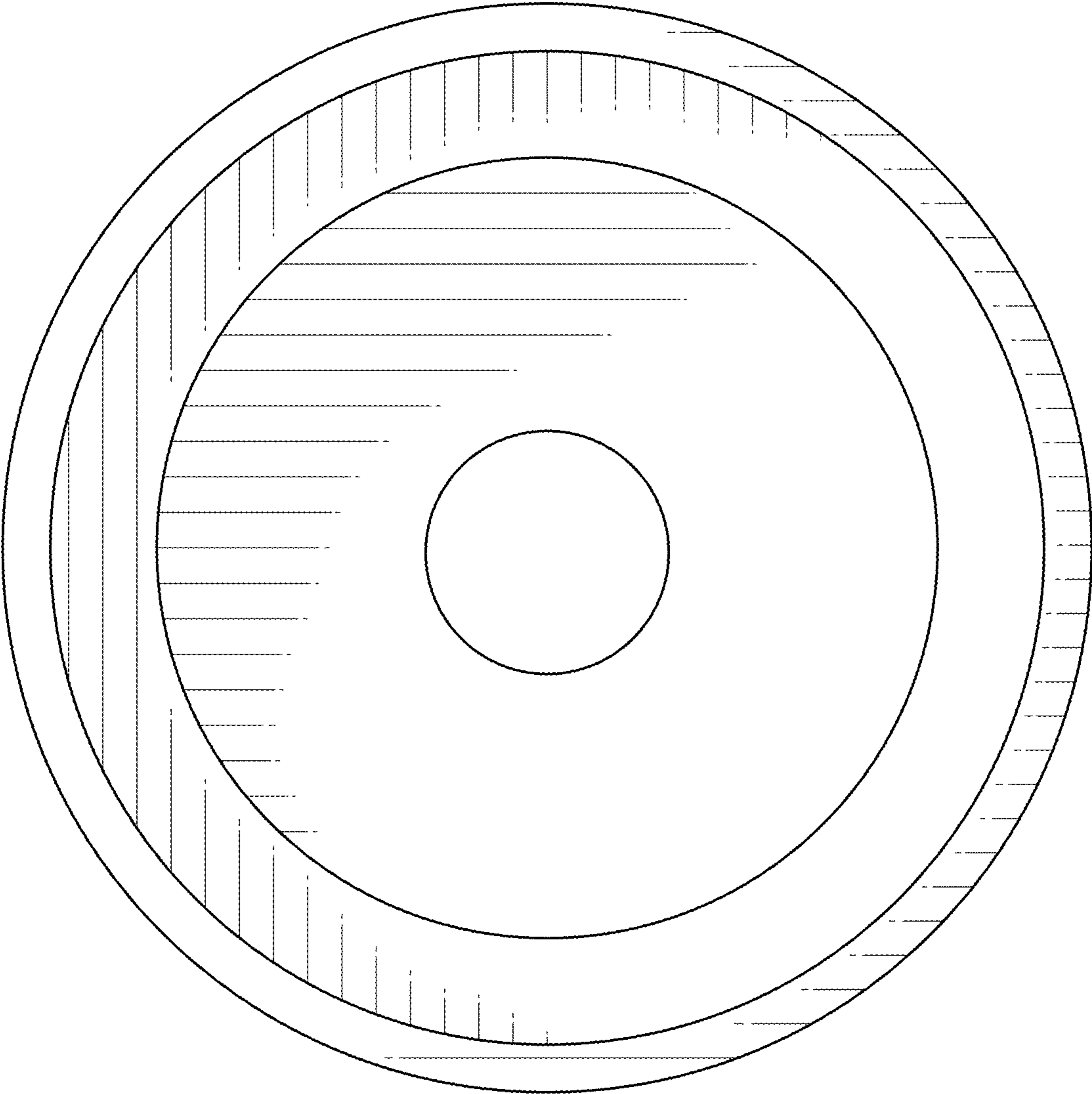


FIG. 3

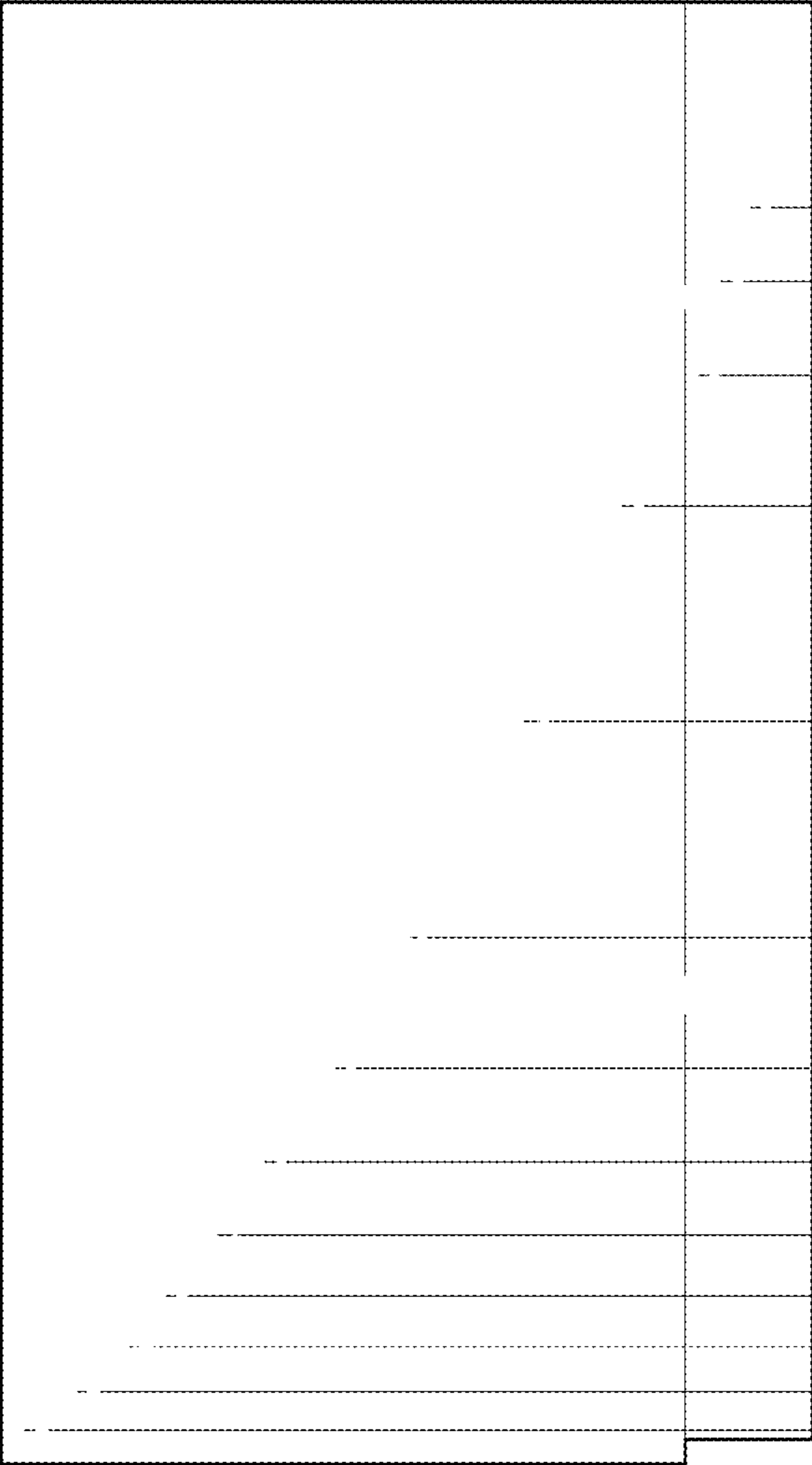


FIG. 4

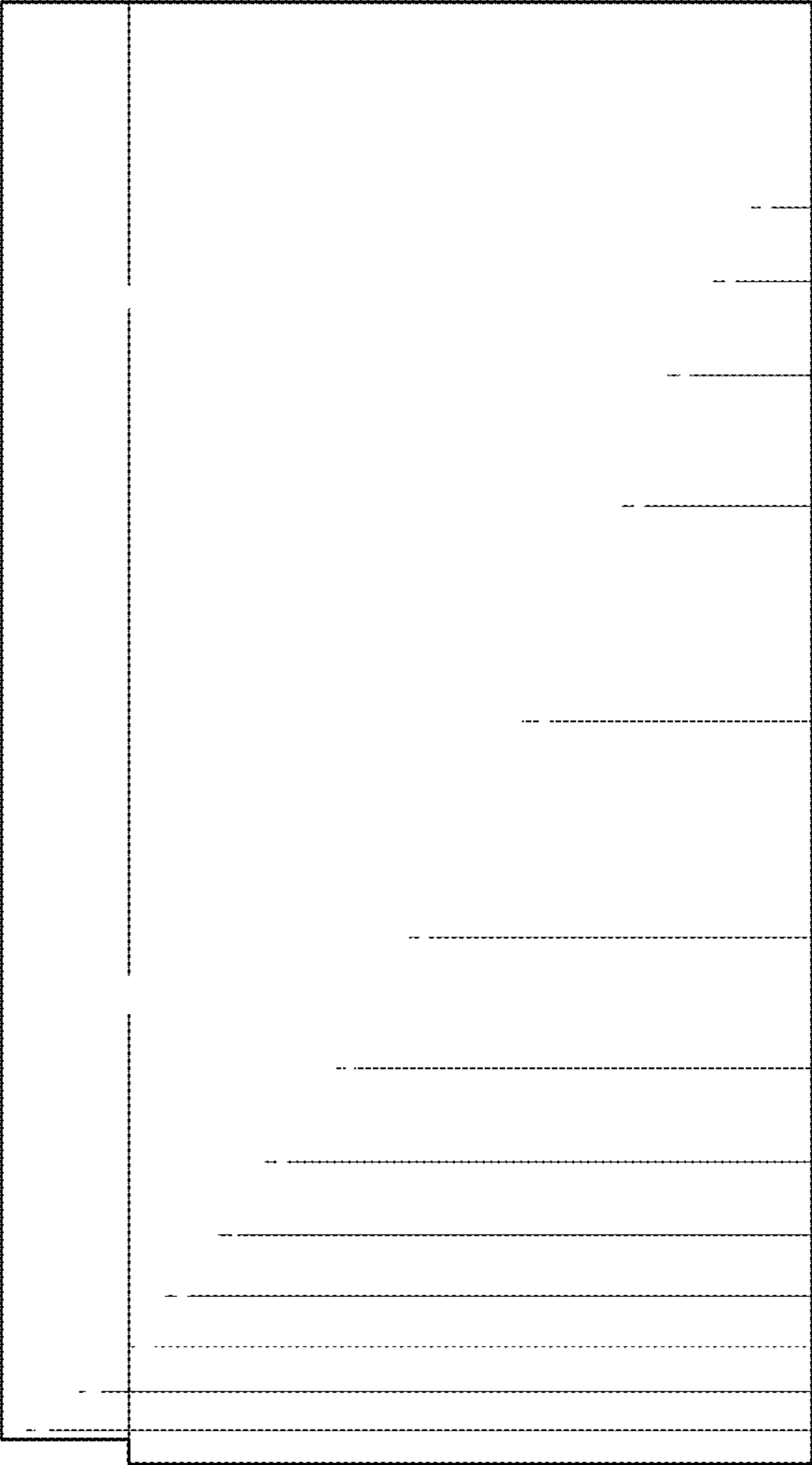


FIG. 5

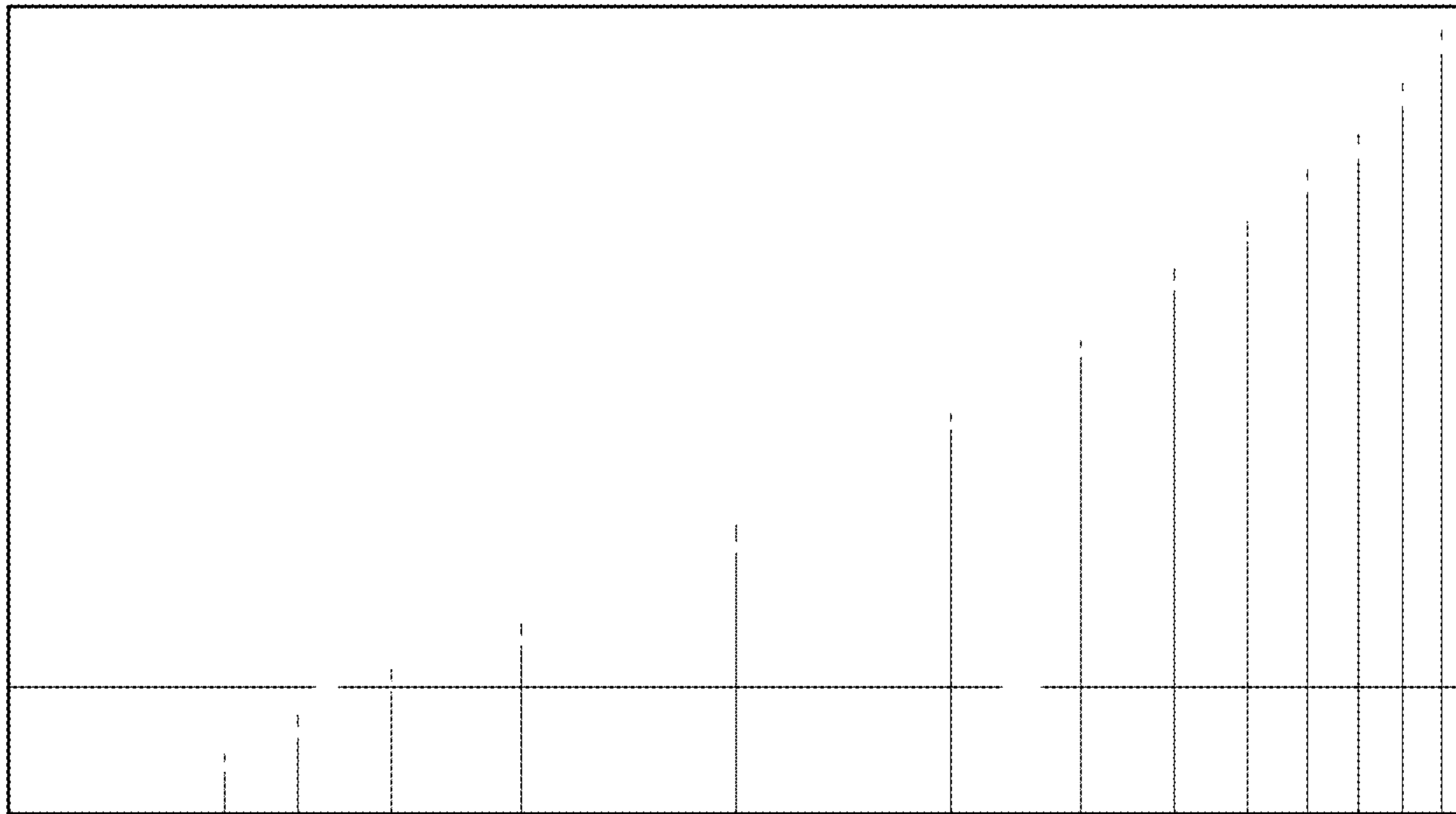


FIG. 6

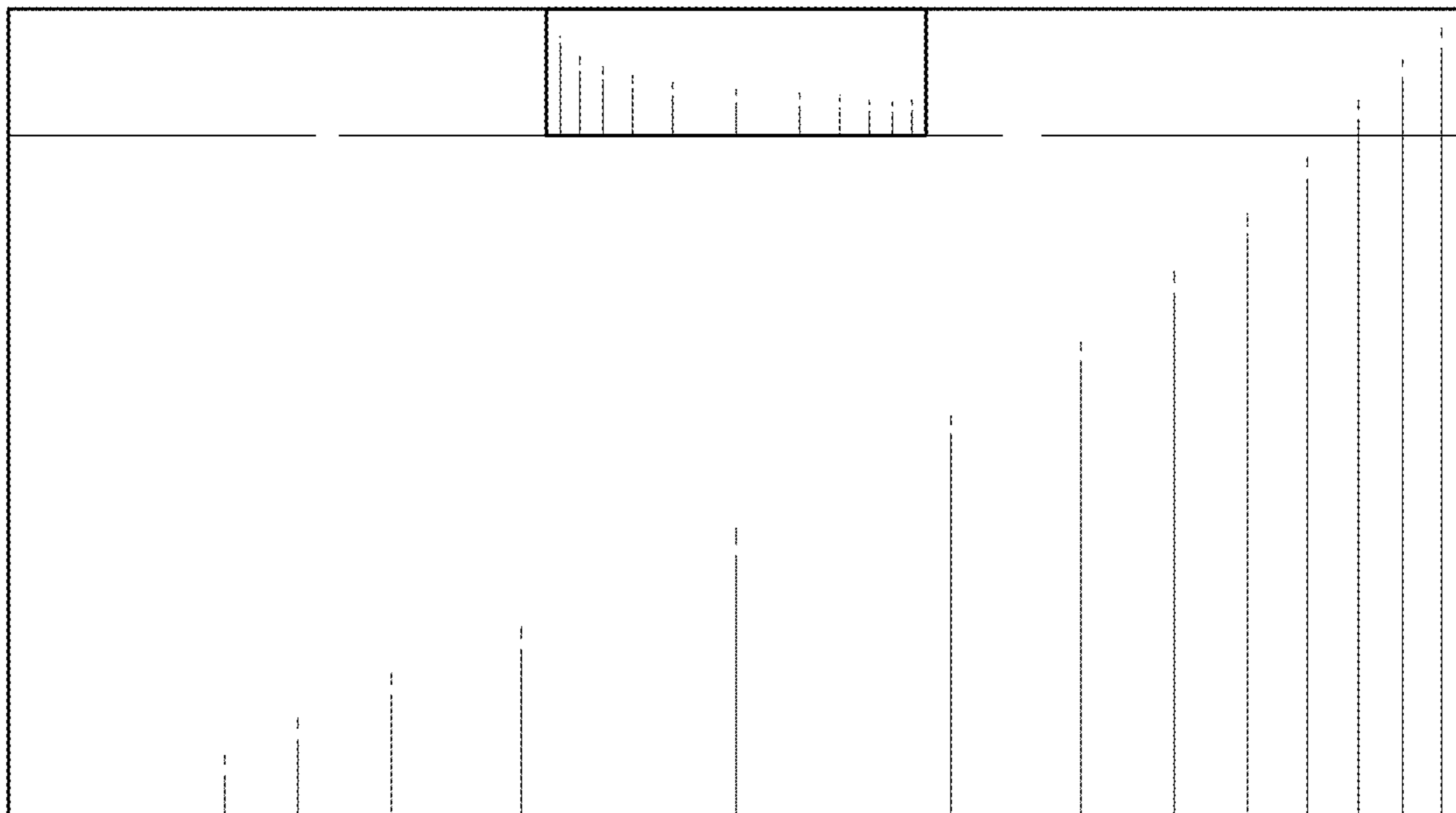


FIG. 7