



US00D910099S

(12) **United States Design Patent** (10) **Patent No.:** **US D910,099 S**
Christian (45) **Date of Patent:** **** Feb. 9, 2021**

(54) **DUAL ENTRY BUSHING**
(71) Applicant: **Jay Christian**, Ardmore, OK (US)
(72) Inventor: **Jay Christian**, Ardmore, OK (US)
(**) Term: **15 Years**

D719,527 S * 12/2014 Kim D13/156
D719,821 S * 12/2014 McGrath D8/382
D721,652 S * 1/2015 Smith D13/129
D722,966 S * 2/2015 Smith D13/129
D733,064 S * 6/2015 Smith D13/149
D749,047 S * 2/2016 Smith D13/149
D767,490 S * 9/2016 Bose D13/119
D802,033 S * 11/2017 Waterman D15/143

(Continued)

(21) Appl. No.: **29/663,449**

(22) Filed: **Sep. 14, 2018**

(51) **LOC (13) Cl.** **15-09**

(52) **U.S. Cl.**
USPC **D15/143; D13/149**

(58) **Field of Classification Search**
USPC D8/350, 352, 353, 356; D15/132, 138,
D15/143, 199
CPC E21B 17/10; E21B 17/1007; E21B 17/22;
E21B 23/00; E21B 23/002; E21B 23/03
See application file for complete search history.

(56) **References Cited**

U.S. PATENT DOCUMENTS

D110,738 S * 8/1938 Sola D13/110
D227,397 S * 6/1973 Steinke D15/143
D277,454 S * 2/1985 Meinhardt D13/154
D341,145 S * 11/1993 Esworthy D15/143
D341,606 S * 11/1993 Reilly D15/143
D357,030 S * 4/1995 McKenna D15/143
D392,547 S * 3/1998 Nakamura D8/356
D403,949 S * 1/1999 Nakamura D8/356
D436,022 S * 1/2001 Arnold D8/358
D458,285 S * 6/2002 Votruba D15/143
D517,900 S * 3/2006 Goldenberg D8/354
D601,930 S * 10/2009 Chen D12/114
D633,873 S * 3/2011 Kiely D13/155
D634,398 S * 3/2011 Ickes D23/209
D657,232 S * 4/2012 Stahl, Sr. D8/354
D658,740 S * 5/2012 Ickes D23/209
D674,895 S * 1/2013 Rubin D24/129
D699,051 S * 2/2014 Wills D6/580

OTHER PUBLICATIONS

Roller Kelly Bushings, posted on srlf.net, no posted date given, no production date given, [online], [site visited Apr. 17, 2020], Available from internet, URL: <http://www.srlf.net/products/rotary-bushings/roller-kelly-bushings> (Year: 2020).*

(Continued)

Primary Examiner — Michael C Stout
Assistant Examiner — Fritzgerald L Butac
(74) *Attorney, Agent, or Firm* — Harvey Law, PC;
Derrick Harvey

(57) **CLAIM**

I claim the ornamental design for a dual entry bushing, as shown and described.

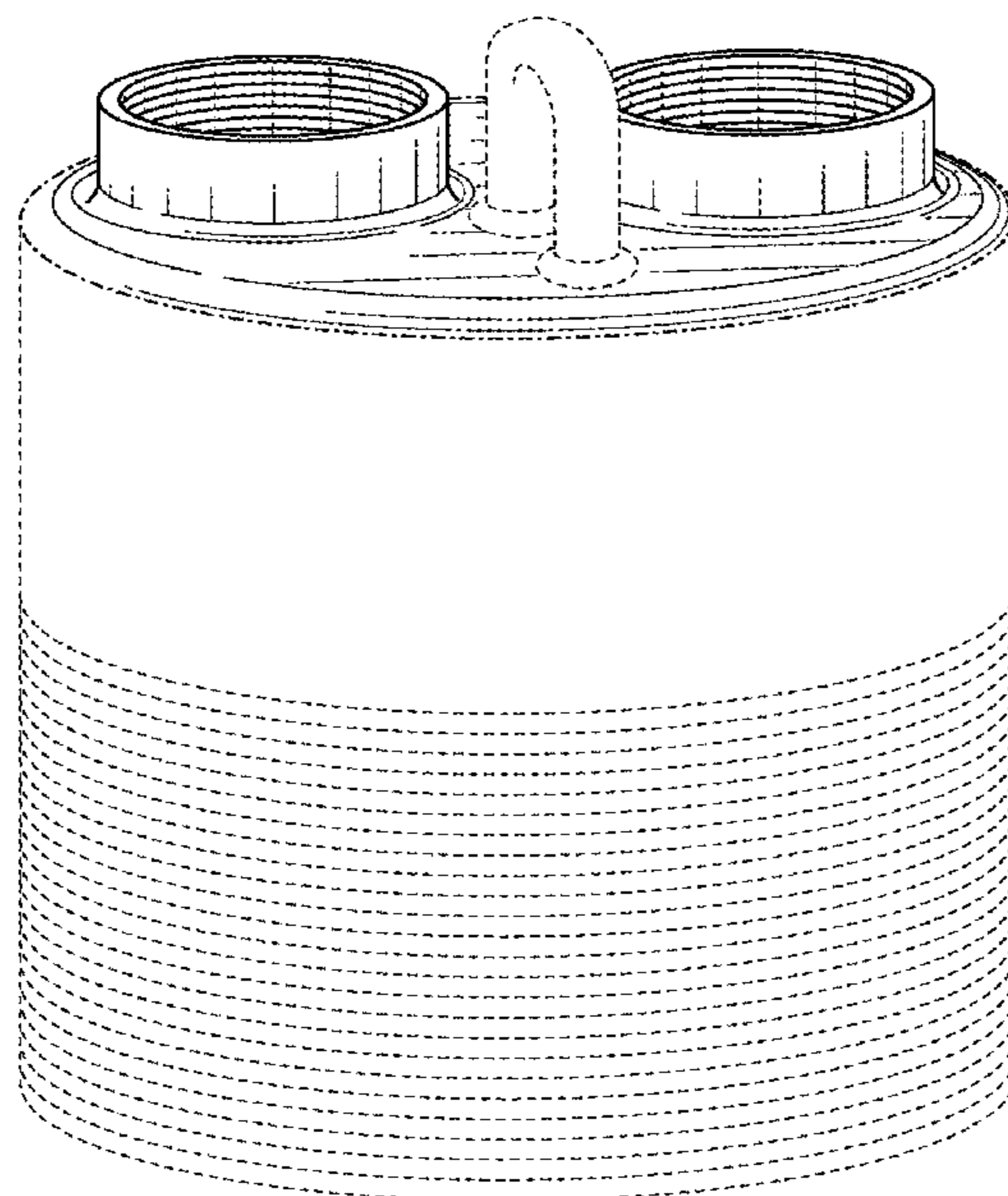
DESCRIPTION

FIG. 1 is a top perspective view of a dual entry bushing; FIG. 2 is a first side view thereof; FIG. 3 is a second side view thereof; FIG. 4 is a third side view thereof; FIG. 5 is a fourth side view thereof; and, FIG. 6 is a top view thereof.

The broken lines show portions of a dual entry bushing that form no part of the claimed design.

The “dash-dot” broken lines are for the purpose of showing the bounds of the claimed design, and form no part thereof.

1 Claim, 6 Drawing Sheets



(56)

References Cited

U.S. PATENT DOCUMENTS

D861,756 S * 10/2019 Pop D15/143
D874,405 S * 2/2020 Nagadome D13/153

OTHER PUBLICATIONS

Master Bushing, posted on jankioiltools.com, posted 2008, no production date given, [online], [site visited Apr. 17, 2020], Available from Internet, URL: <http://www.jankioiltools.com/master-bushing.php> (Year: 2008).*

* cited by examiner

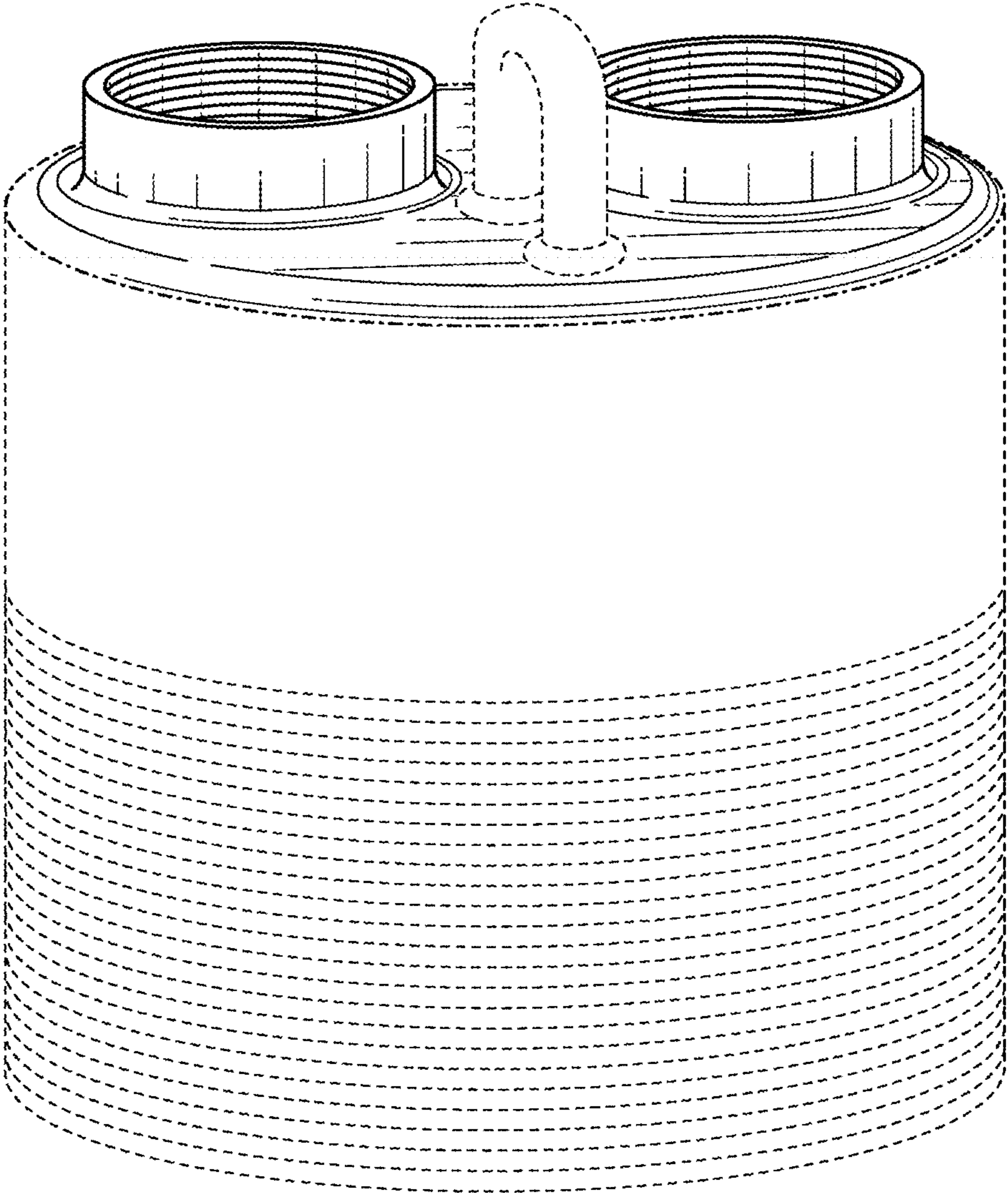


FIG. 1

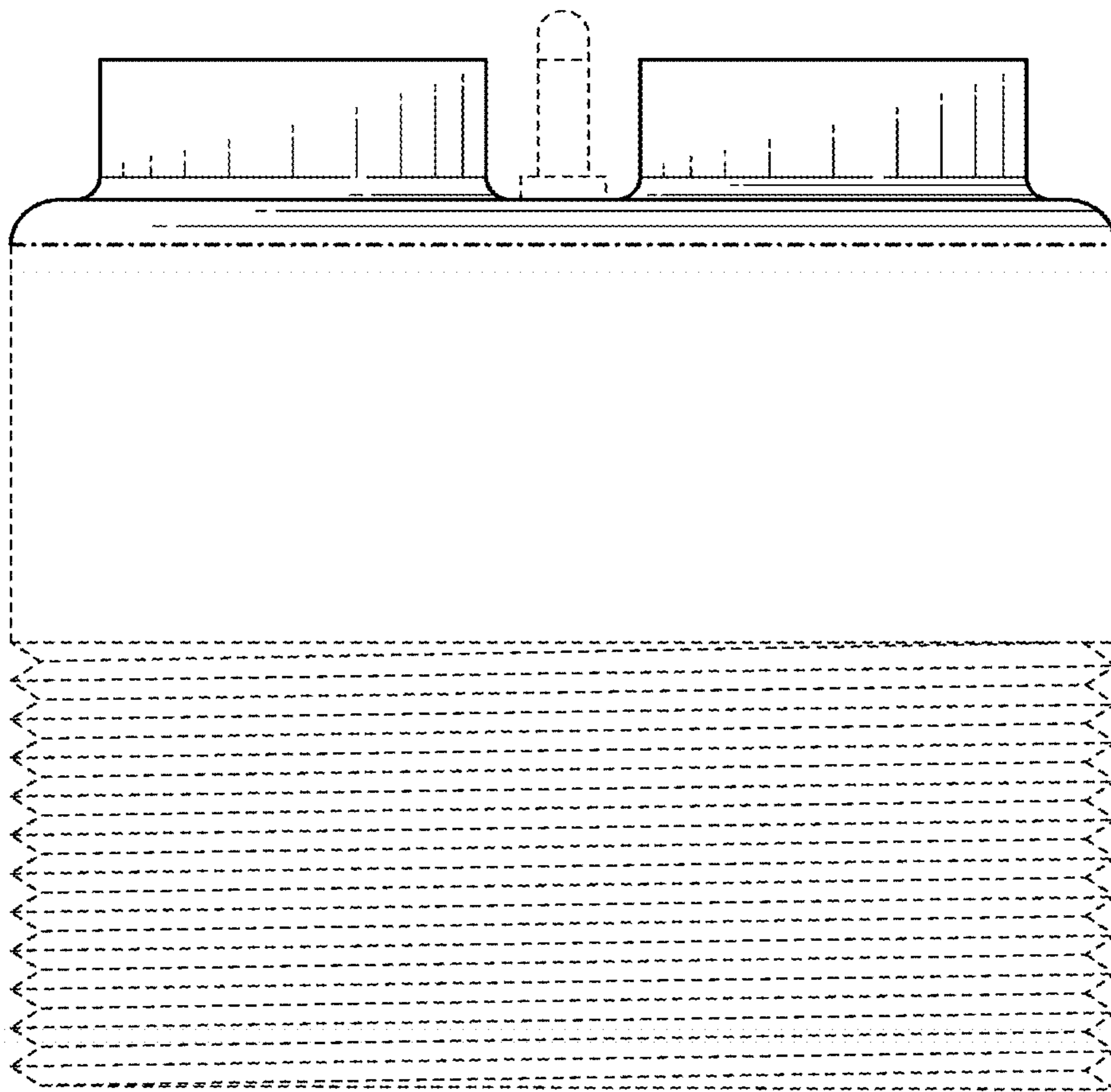


FIG. 2

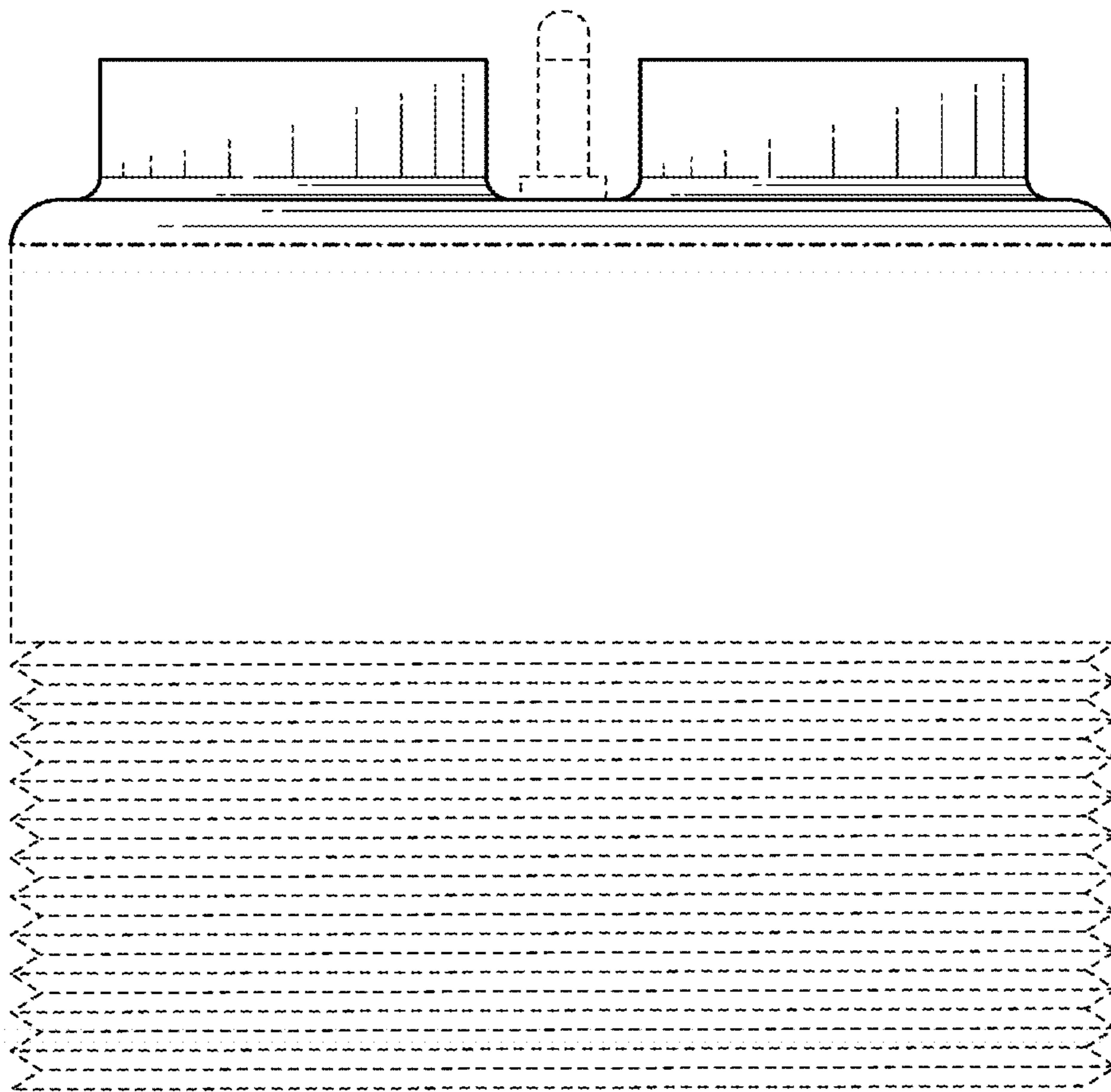


FIG. 3

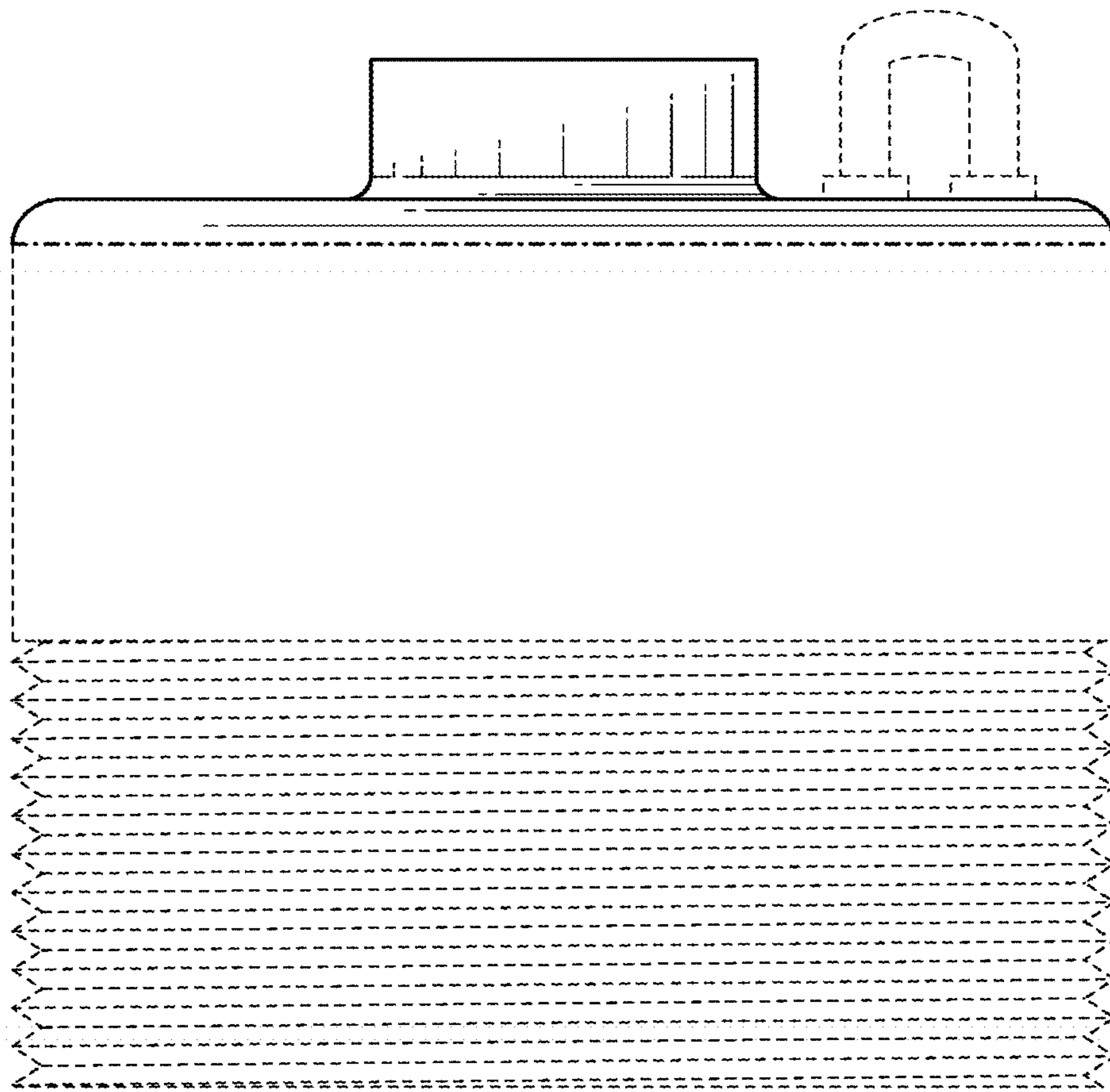


FIG. 4

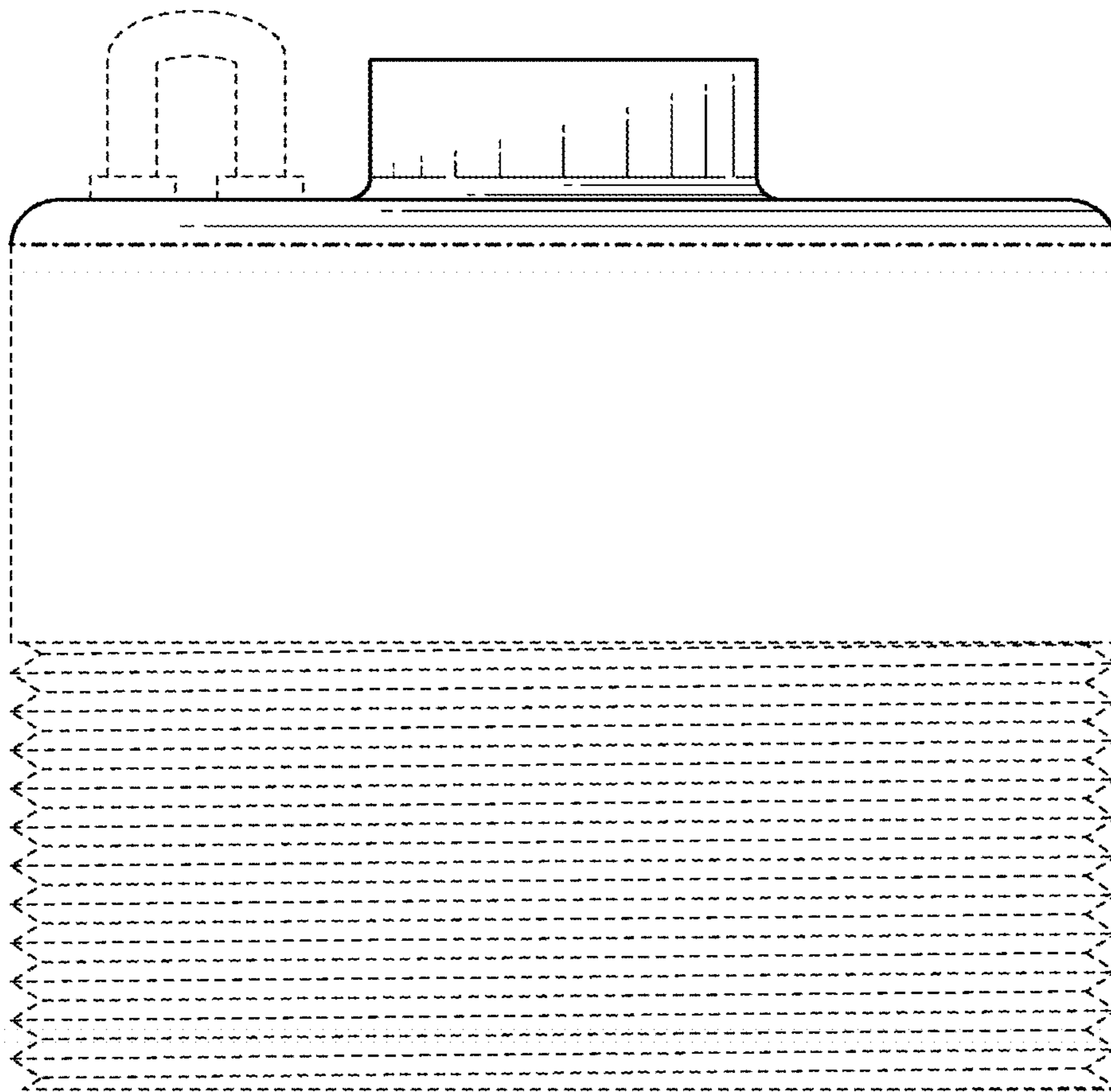


FIG. 5

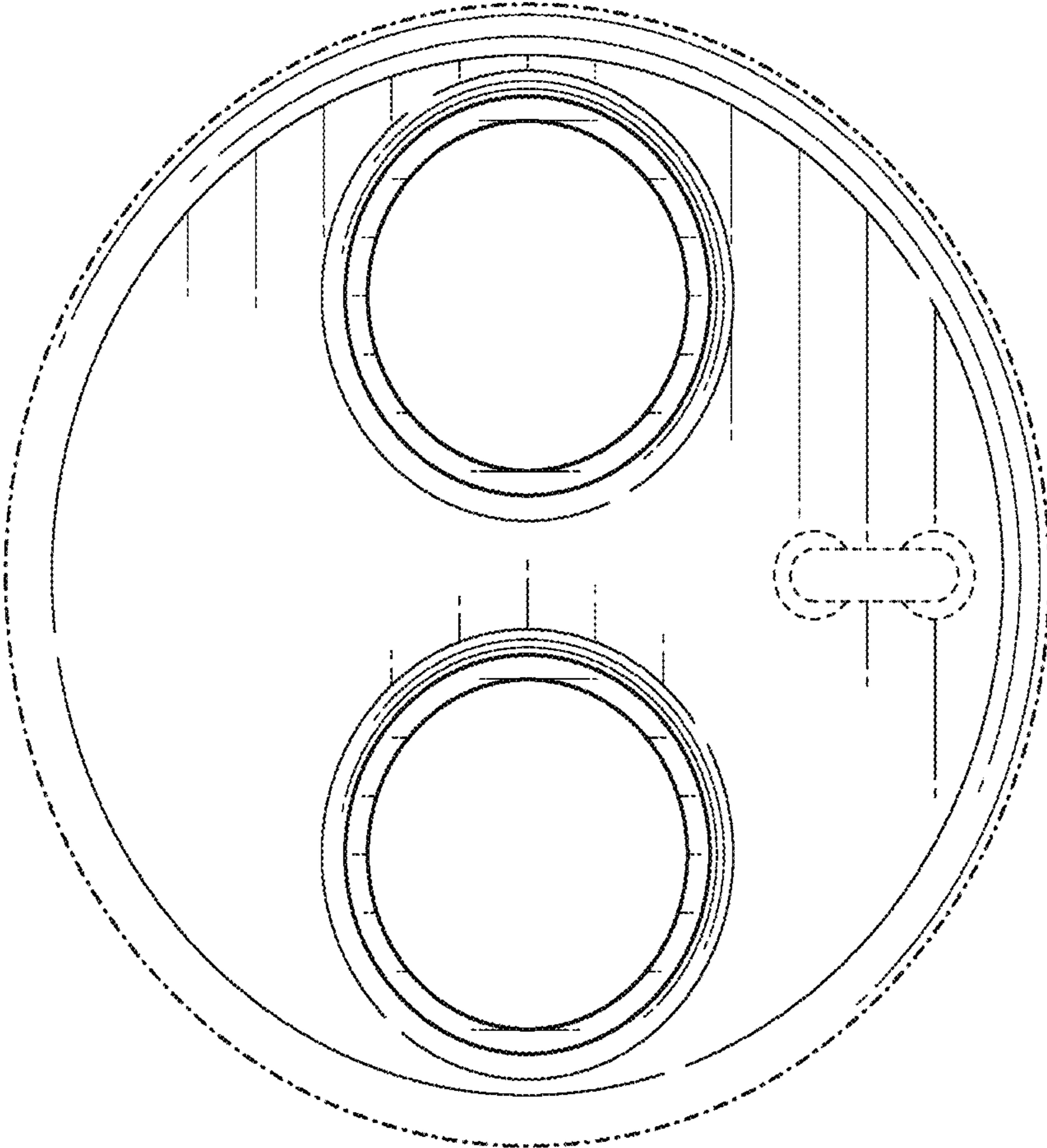


FIG. 6