



US00D910098S

(12) **United States Design Patent** (10) **Patent No.:** **US D910,098 S**
Farris et al. (45) **Date of Patent:** **** Feb. 9, 2021**

(54) **WOODWORKING PILOT REAMER**

(71) Applicant: **Woodpeckers, LLC**, Strongsville, OH (US)

(72) Inventors: **Jeffery E. Farris**, Medina, OH (US);
Paul E. Turley, Amherst, OH (US)

(73) Assignee: **Woodpeckers, LLC**, Strongsville, OH (US)

(**) Term: **15 Years**

(21) Appl. No.: **29/701,494**

(22) Filed: **Aug. 12, 2019**

(51) **LOC (13) Cl.** **15-09**

(52) **U.S. Cl.**
USPC **D15/139**

(58) **Field of Classification Search**
USPC D8/61, 70, 86; D15/127, 131, 139, 140;
D24/146
CPC . B23B 31/005; B23B 51/002; B23B 2226/75;
B23B 2251/248; B23B 2260/072; B25C
5/02; B25C 5/10; B25C 5/14; B23D
77/00; Y10T 407/19; Y10T 408/907;
B23C 3/12; B23C 3/18

See application file for complete search history.

(56) **References Cited**

U.S. PATENT DOCUMENTS

D477,515 S * 7/2003 Winivis D8/70
7,402,040 B2 * 7/2008 Turri A61B 17/1624
433/165
7,451,534 B2 11/2008 Kress
D600,809 S * 9/2009 Petersen D24/146
D608,802 S * 1/2010 Ibarra D15/139
D741,484 S * 10/2015 Cho D24/146
D774,868 S * 12/2016 Ouyang D8/86

D786,646 S * 5/2017 Ouyang D8/86
D814,537 S * 4/2018 Wu D15/139
D877,218 S * 3/2020 Wu D15/139
D886,170 S * 6/2020 Dill D15/139
2010/0014929 A1 1/2010 Stojanovski
2012/0259336 A1* 10/2012 del Rio A61B 17/1617
606/80
2013/0121777 A1* 5/2013 Gey B28B 11/041
407/118
2017/0028582 A1 3/2017 Campbell

FOREIGN PATENT DOCUMENTS

DE 102006016290 10/2007

OTHER PUBLICATIONS

Woodcraft, www.woodcraft.com, Whiteside—Pen Mill Set, retrieved from the Internet on Nov. 28, 2018, 5 pages.

* cited by examiner

Primary Examiner — Philip S Hyder
(74) *Attorney, Agent, or Firm* — Sand, Sebolt & Wernow Co., LPA

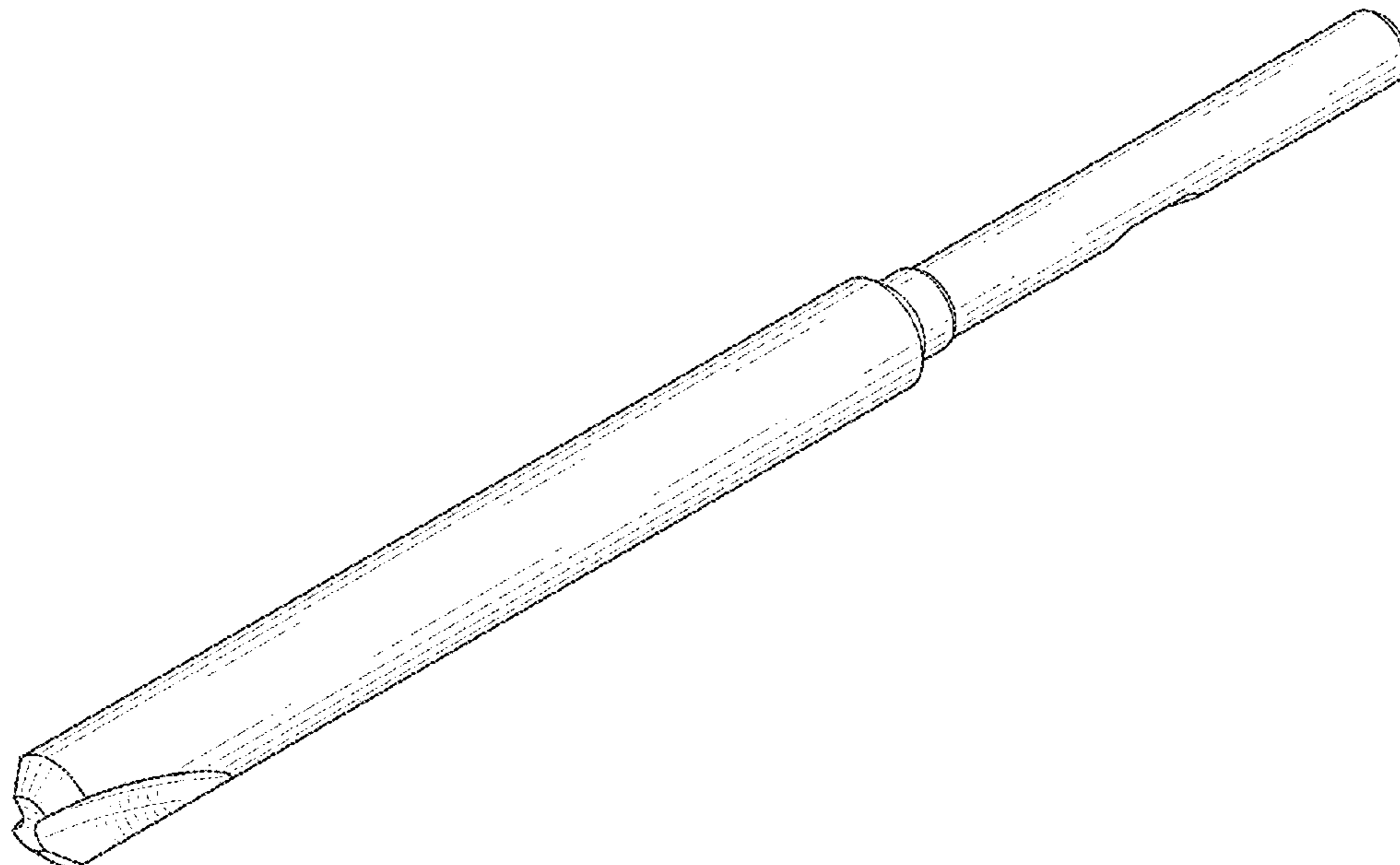
(57) **CLAIM**

The ornamental design for a woodworking pilot reamer, as shown.

DESCRIPTION

FIG. 1 is an isometric perspective view of a woodworking pilot reamer in accordance with our design; FIG. 2 is a right side elevation view thereof; FIG. 3 is a left side elevation view thereof; FIG. 4 is a bottom plan view thereof; FIG. 5 is a top plan view thereof; FIG. 6 is a front elevation view thereof; and, FIG. 7 is a rear elevation view thereof.

1 Claim, 4 Drawing Sheets



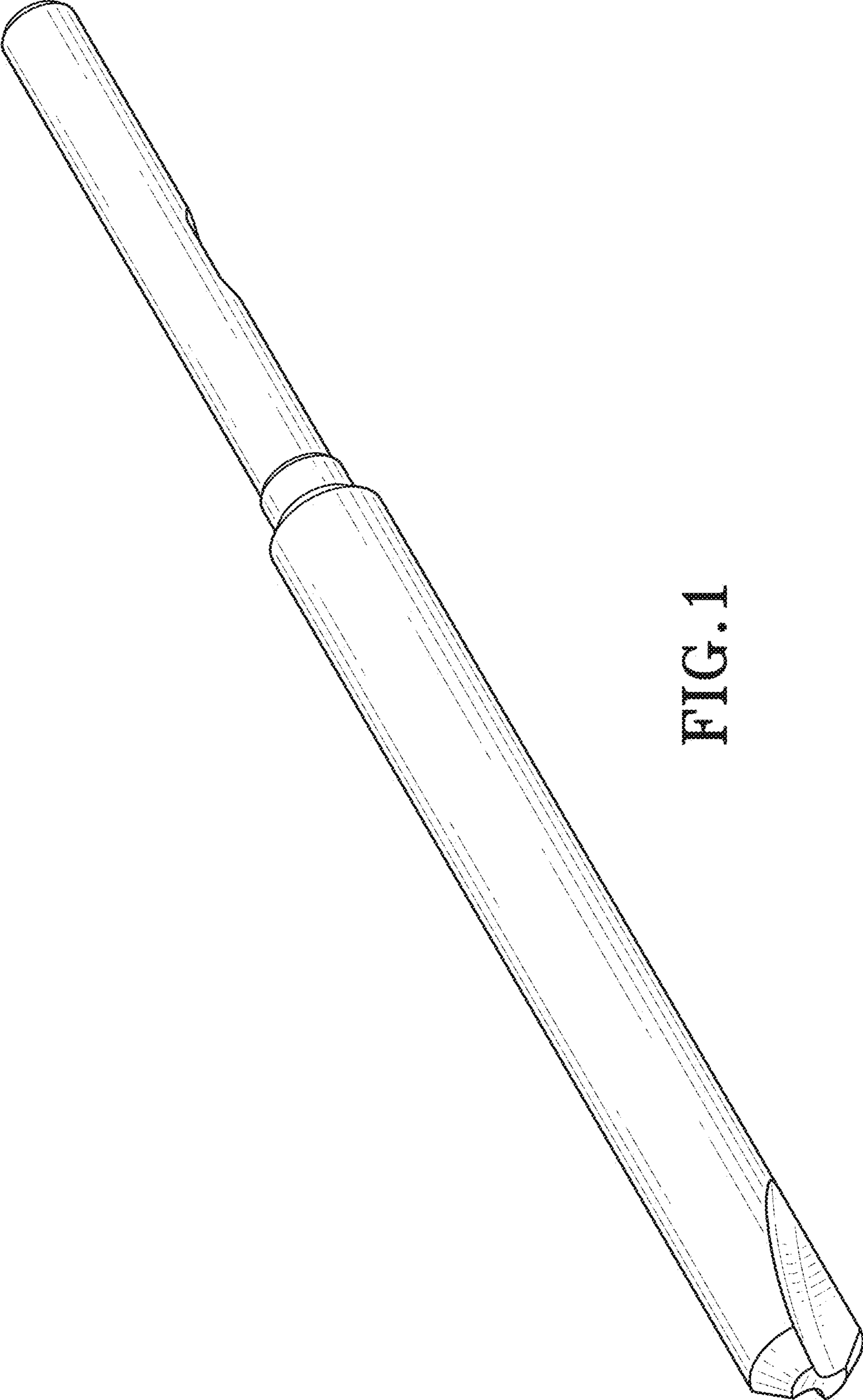


FIG. 1

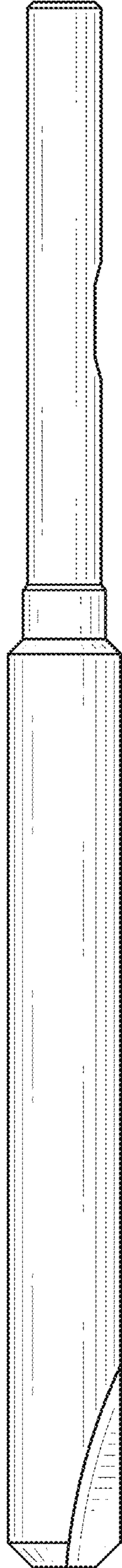


FIG. 2

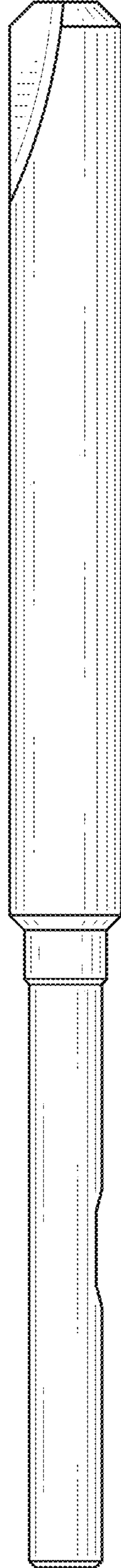


FIG. 3

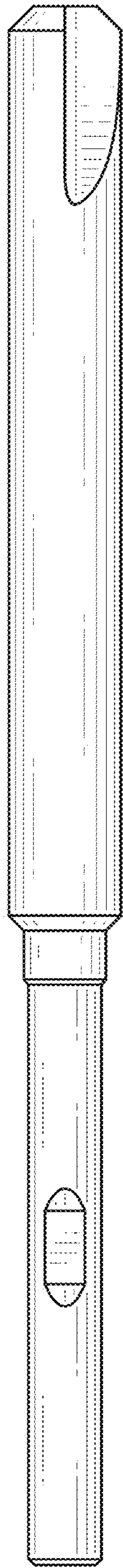


FIG. 4

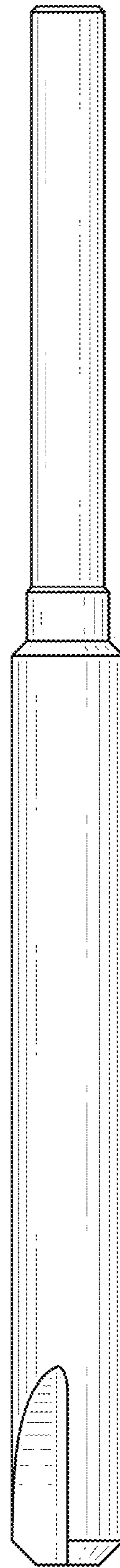


FIG. 5

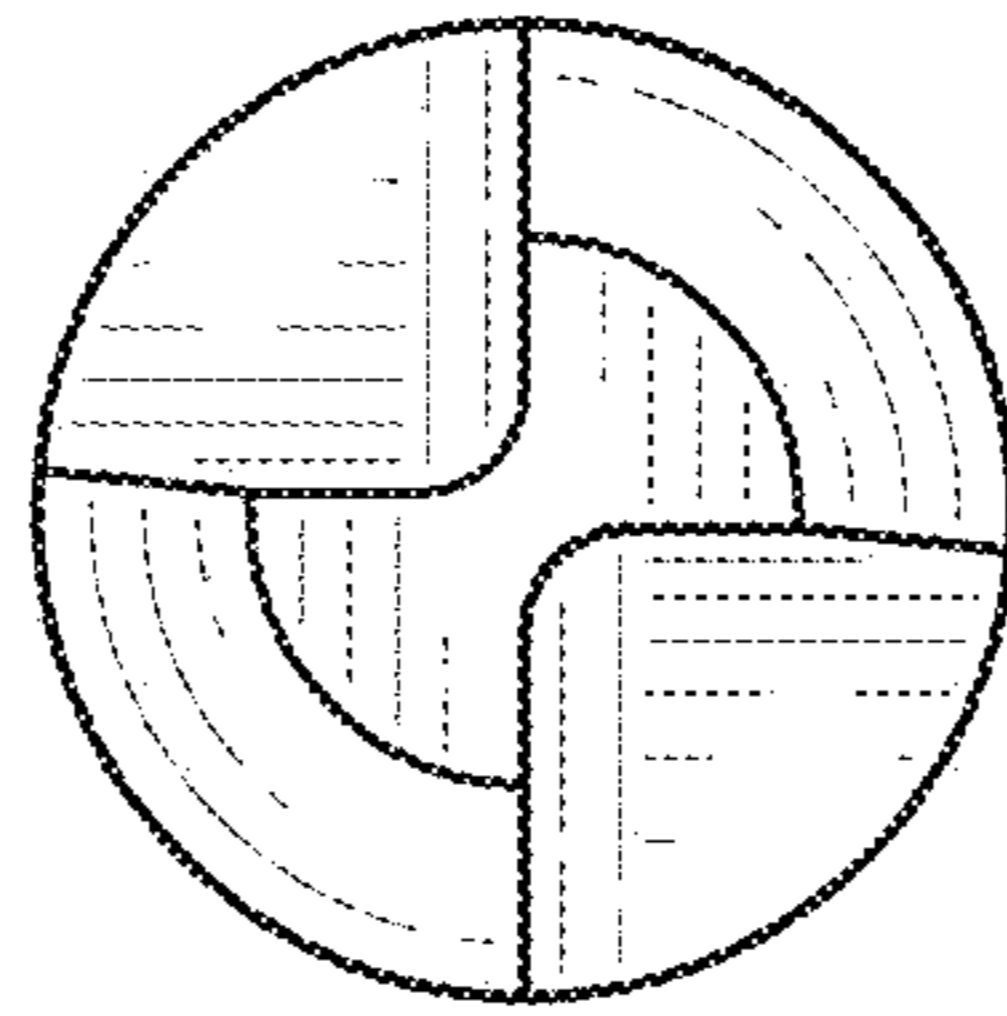


FIG. 6

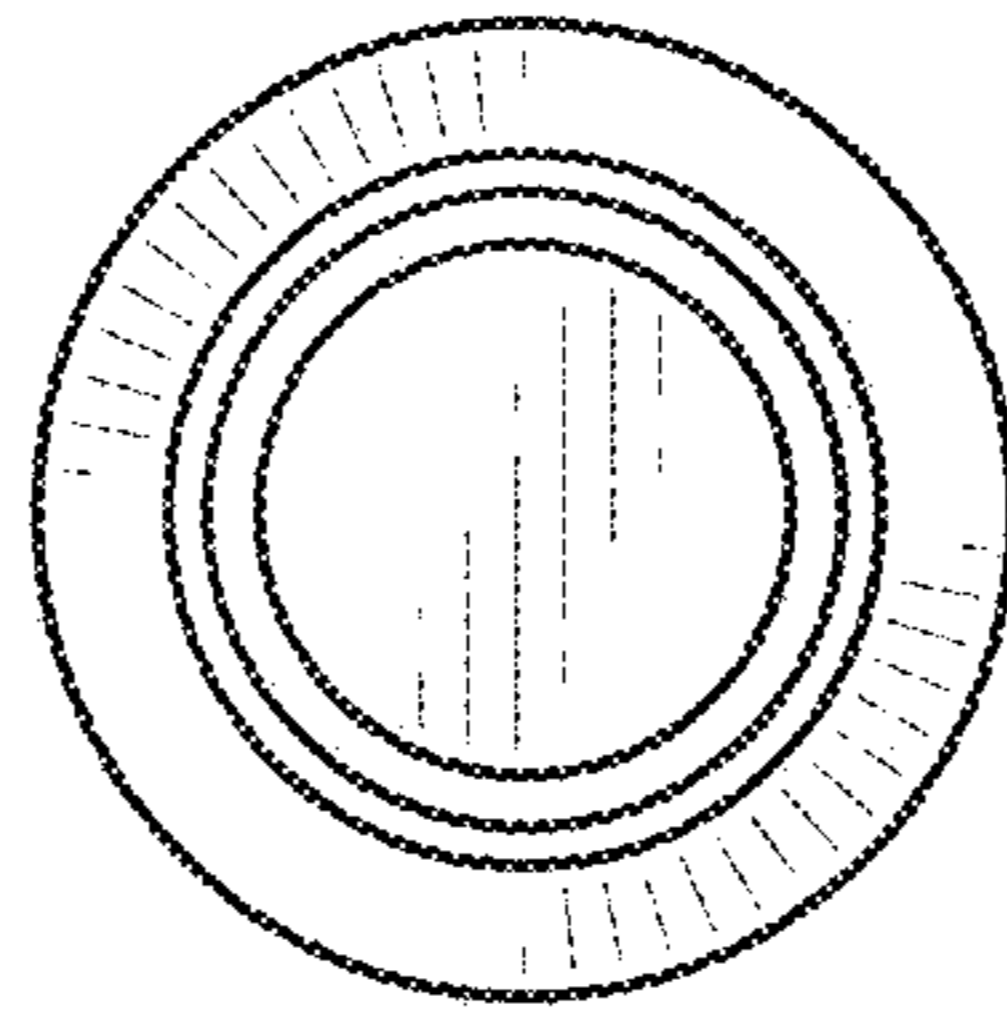


FIG. 7