



US00D910096S

(12) **United States Design Patent** (10) **Patent No.:** **US D910,096 S**
Park et al. (45) **Date of Patent:** **** Feb. 9, 2021**

(54) **CUTTING INSERT**
(71) Applicant: **TaeguTec Ltd.**, Daegu (KR)
(72) Inventors: **Chang Gyu Park**, Daegu (KR); **Sung Kook Cheon**, Daegu (KR)
(73) Assignee: **TAEGUTECH LTD.**, Daegu (KR)
(**) Term: **15 Years**
(21) Appl. No.: **29/695,492**
(22) Filed: **Jun. 19, 2019**
(30) **Foreign Application Priority Data**
May 10, 2019 (KR) 30-2019-0022032
(51) **LOC (13) Cl.** **15-09**
(52) **U.S. Cl.**
USPC **D15/139**
(58) **Field of Classification Search**
USPC D8/20, 70, 71; D15/122, 126, 131, 138, D15/139, 140
CPC B23C 5/109; B23C 5/20; B23C 5/207; B23C 2200/128; Y10T 407/1924; Y10T 407/1962; Y10T 407/23
See application file for complete search history.

D832,319 S * 10/2018 Muthuswamy
D835,167 S * 12/2018 Sakai
D847,884 S * 5/2019 Hayakawa
D854,063 S * 7/2019 Abe
D857,067 S * 8/2019 Hayakawa
D857,068 S * 8/2019 Hayakawa
D870,783 S * 12/2019 Son
2013/0294850 A1 * 11/2013 Park

* cited by examiner

Primary Examiner — Michael C Stout
Assistant Examiner — Fritzgerald L Butac
(74) *Attorney, Agent, or Firm* — Hamre, Schumann, Mueller & Larson, P.C.

(57) **CLAIM**

The ornamental design for a cutting insert, as shown and described.

DESCRIPTION

FIG. 1 is a perspective view a cutting insert showing our new design;
FIG. 2 is a front elevational view thereof;
FIG. 3 is a rear elevational view thereof;
FIG. 4 is left side view thereof;
FIG. 5 is a right side view thereof;
FIG. 6 is a top plan view thereof;
FIG. 7 is a bottom plan view thereof; and,
FIG. 8 is a cross sectional view taken along line 8-8 in FIG. 2.

The broken lines illustrate environmental subject matter only and form no part of the claimed design. The dash-dot-dash broken lines define the boundary of the claimed design and form no part of the claimed design. Surface shading lines in the drawings depict the character or contour of the surfaces represented and are not separate elements of the claimed design.

1 Claim, 4 Drawing Sheets

(56) **References Cited**
U.S. PATENT DOCUMENTS
D460,768 S * 7/2002 Koike
D738,411 S * 9/2015 Kim
D744,557 S * 12/2015 Koike
D760,308 S * 6/2016 Krishnegowda
RE46,197 E * 11/2016 Takahashi
D794,103 S * 8/2017 Jeong
D817,140 S * 5/2018 Mouthaan

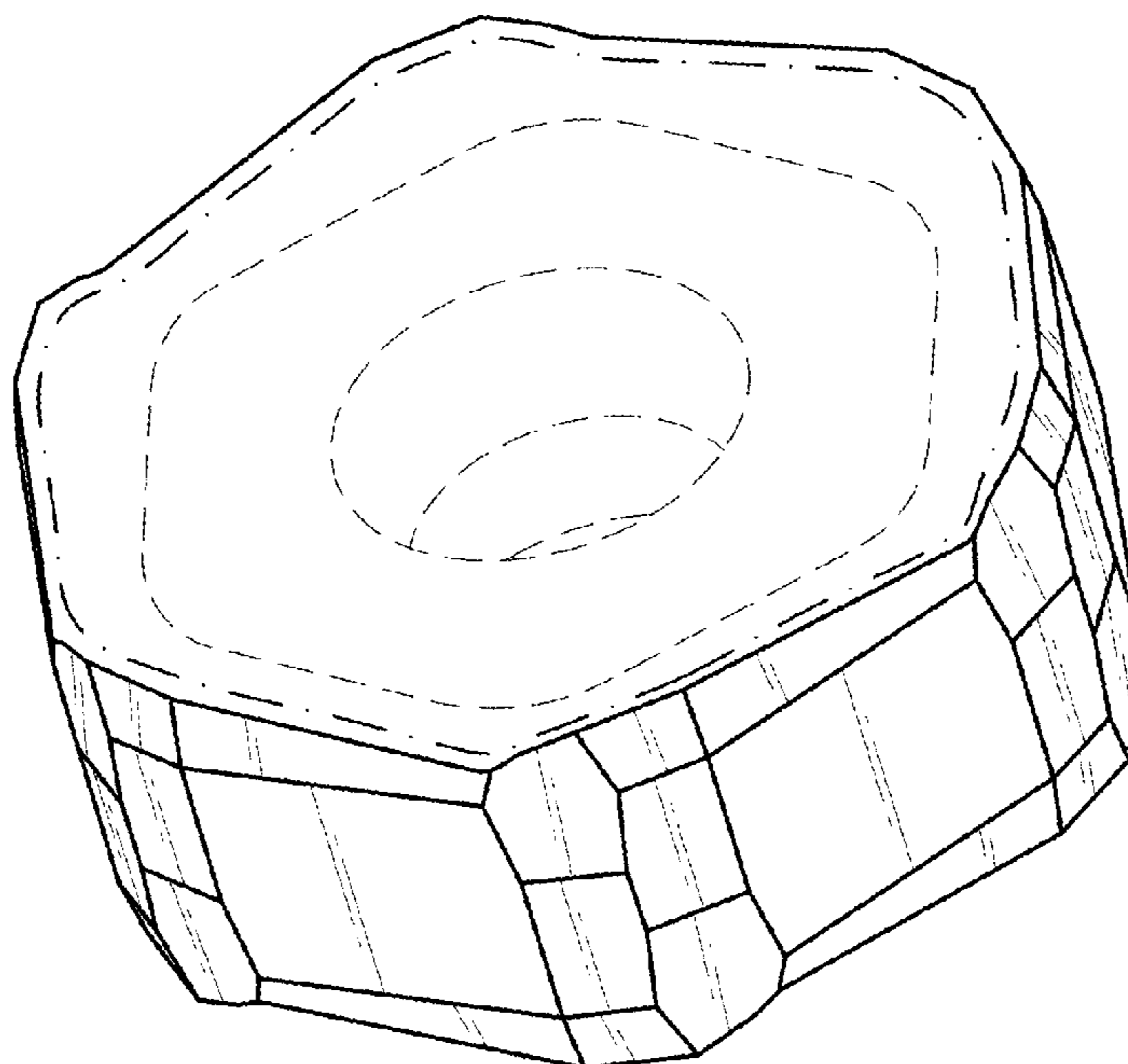


Fig. 1

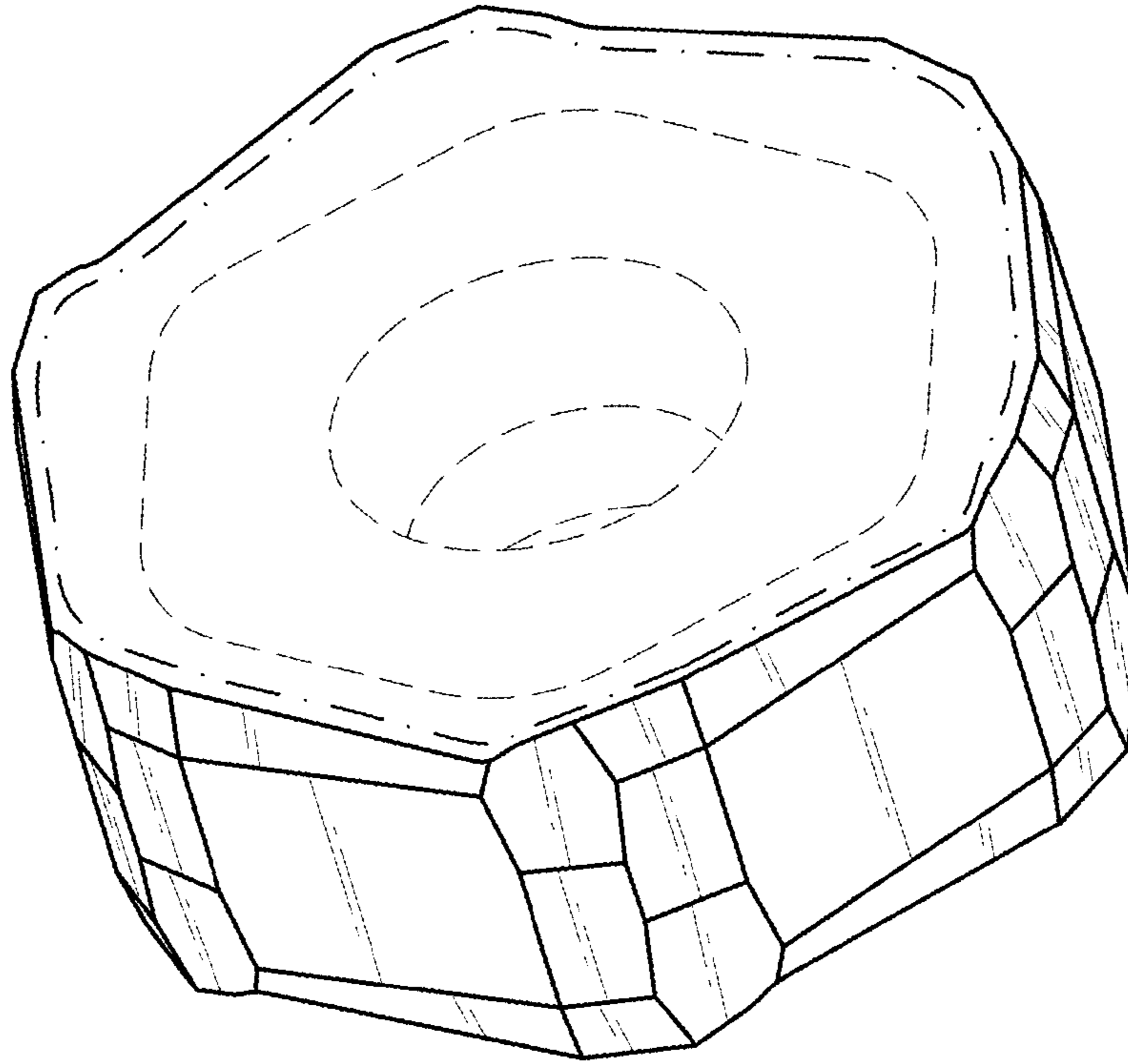


Fig. 2

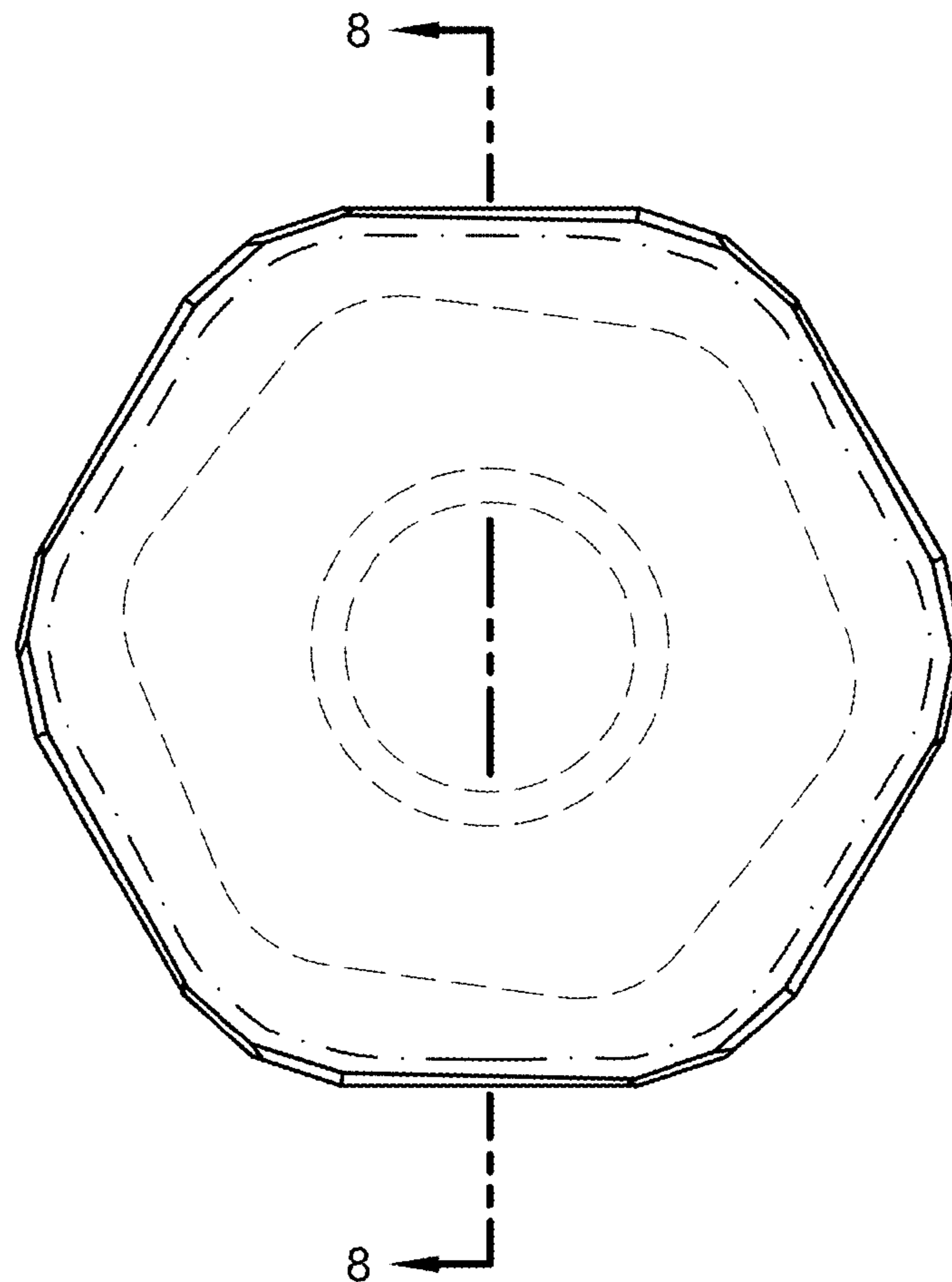


Fig. 3

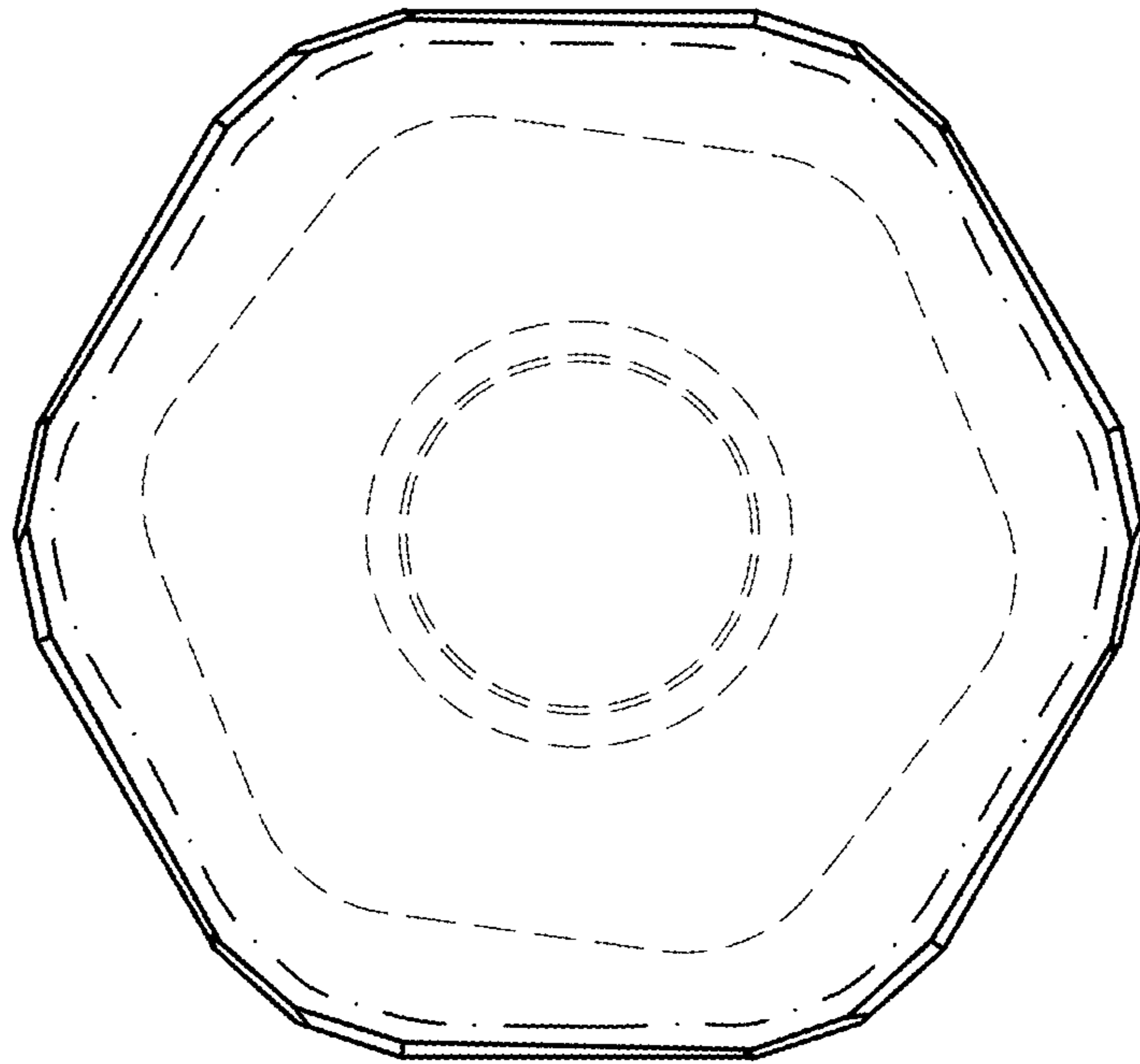


Fig. 4

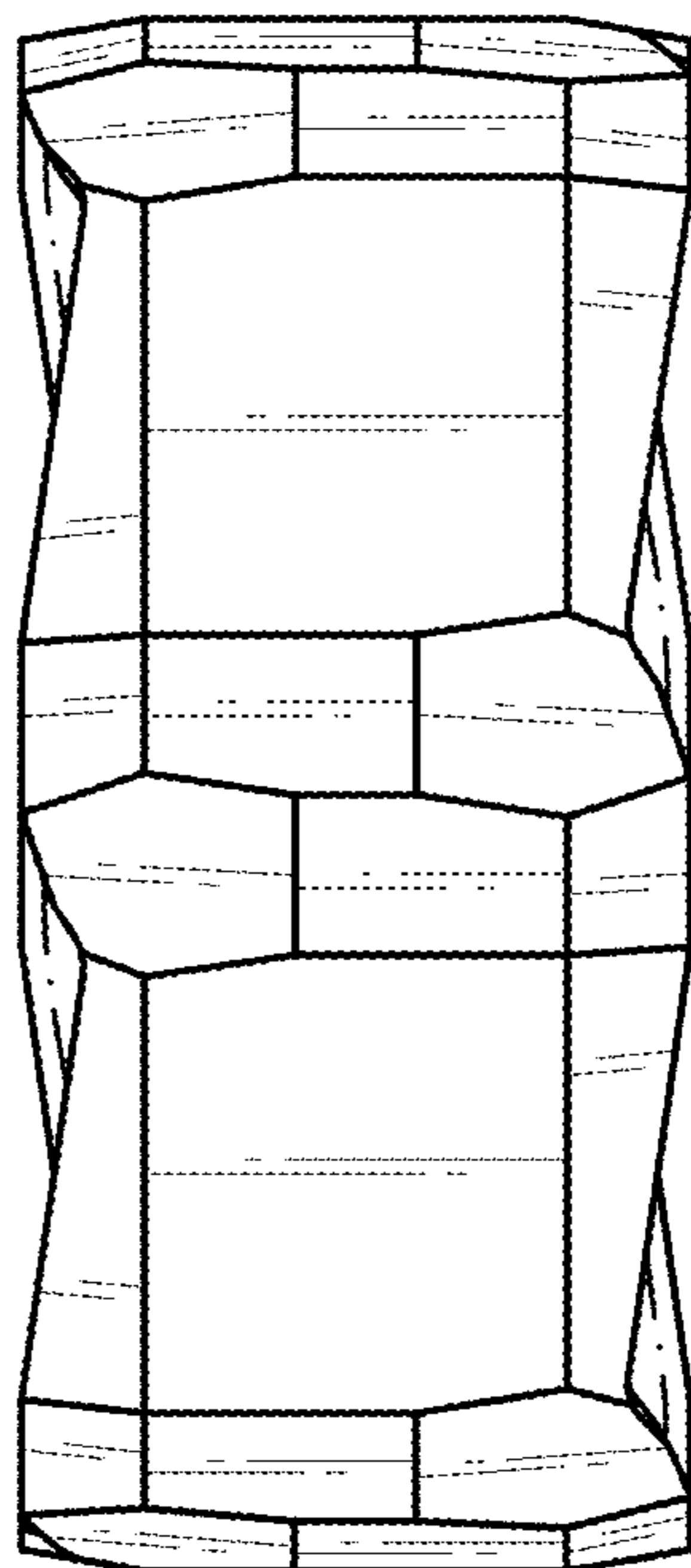


Fig. 5

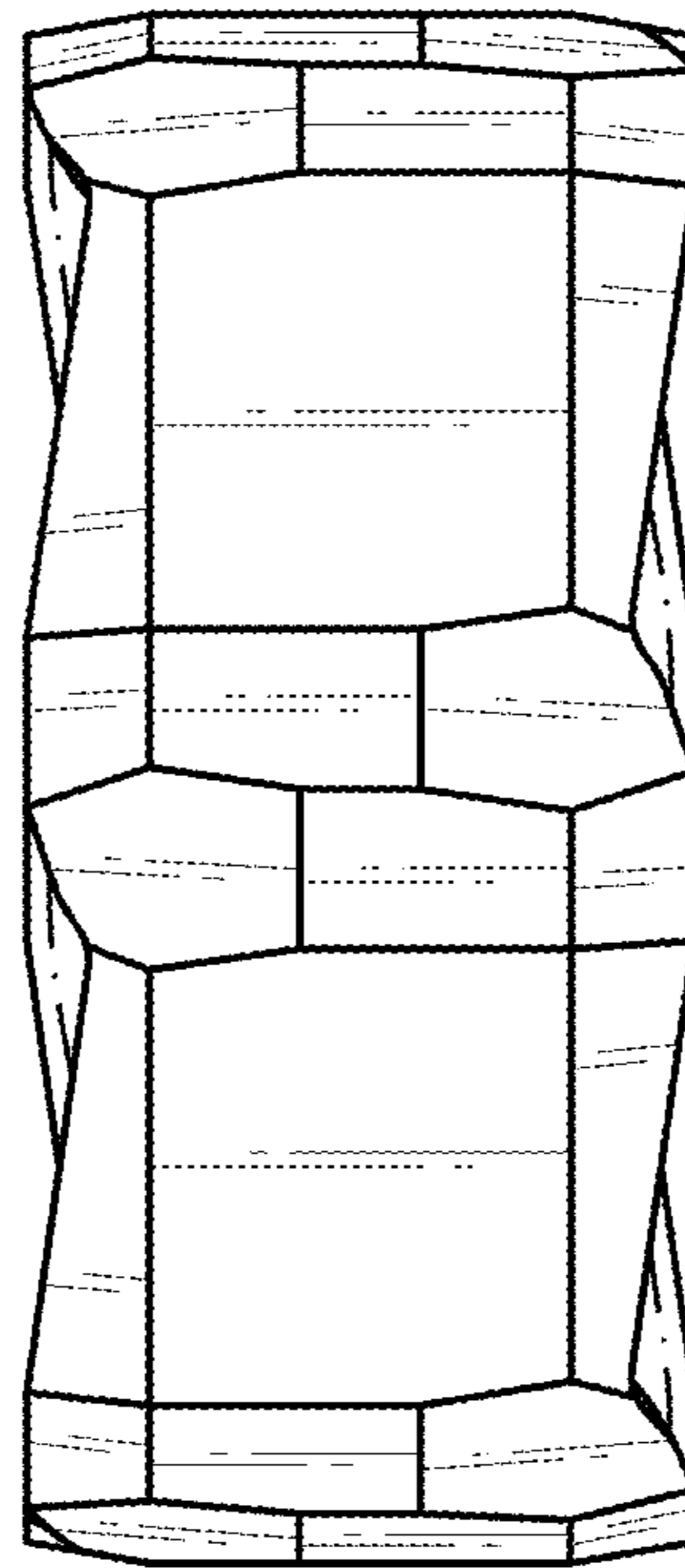


Fig. 6

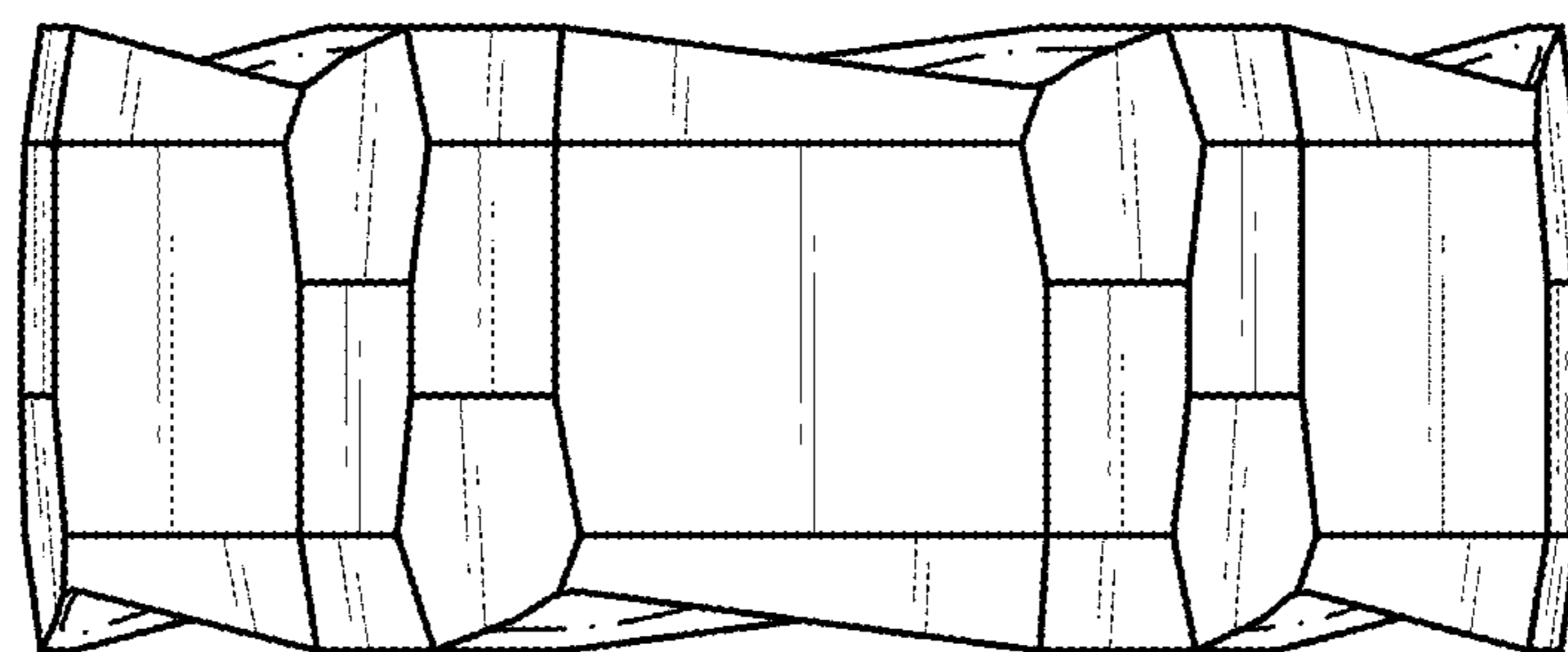


Fig. 7

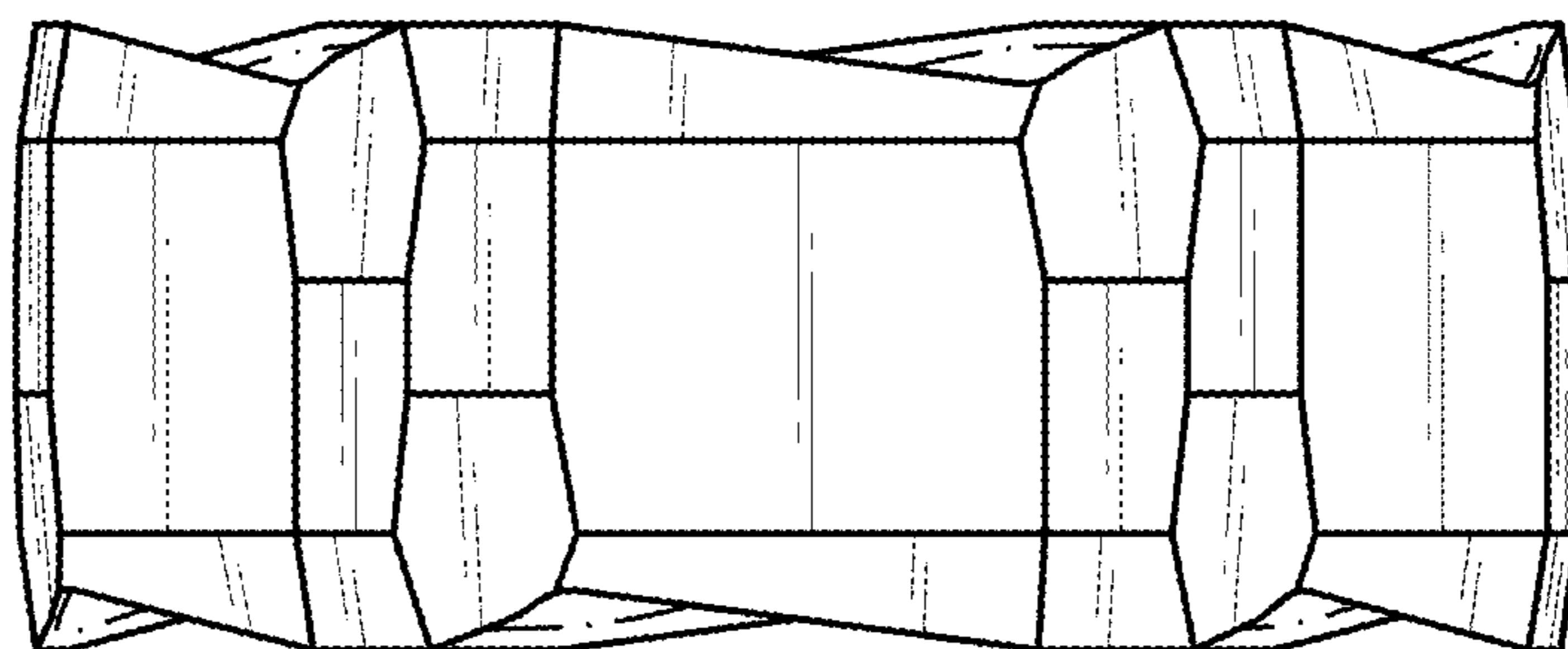


Fig. 8

