



US00D910095S

(12) **United States Design Patent** (10) **Patent No.:** **US D910,095 S**
Wen et al. (45) **Date of Patent:** **** Feb. 9, 2021**

(54) **CUTTING TOOL** 4,340,325 A * 7/1982 Gowanlock B23B 27/045
407/116

(71) Applicant: **SUMITOMO ELECTRIC** D270,059 S * 8/1983 Wilkins D15/139
HARDMETAL CORP., Itami (JP) D271,497 S * 11/1983 Green D15/139
D275,760 S * 10/1984 Cochran D15/139
4,580,930 A * 4/1986 Zinner B23B 27/04
407/110

(72) Inventors: **Yifan Wen,** Itami (JP); **Yosuke**
Shimamoto, Itami (JP); **Naoya Tsuda,**
Itami (JP) D311,194 S * 10/1990 Mihic D15/140
D311,747 S * 10/1990 Mihic D15/140
D317,392 S * 6/1991 Mihic D8/41
D321,632 S * 11/1991 Mihic D8/41
D329,439 S * 9/1992 Gustafsson D15/139
D338,477 S * 8/1993 Mihic D15/139
D558,802 S * 1/2008 Nicholas D15/140
8,079,785 B2 * 12/2011 Nicholas B23B 29/043
407/101

(73) Assignee: **SUMITOMO ELECTRIC**
HARDMETAL CORP., Itami (JP) D666,640 S * 9/2012 Cox B02C 18/145
D15/139

(**) Term: **15 Years**

(21) Appl. No.: **29/688,736**

(22) Filed: **Apr. 24, 2019**

(30) **Foreign Application Priority Data**

Oct. 29, 2018 (JP) 2018-023707
Oct. 29, 2018 (JP) 2018-023708
Oct. 29, 2018 (JP) 2018-023709
Oct. 29, 2018 (JP) 2018-023710

(51) **LOC (13) Cl.** **15-09**
(52) **U.S. Cl.**
USPC **D15/139**

(58) **Field of Classification Search**
USPC 8/20, 70; 15/123, 124, 126, 131, 138,
15/139
CPC B23B 27/14; B23B 27/22; B23B 27/045;
B23B 27/141; B23B 27/143; B23B
2200/321; B29B 9/06; B29C 47/0066
See application file for complete search history.

(56) **References Cited**
U.S. PATENT DOCUMENTS

3,785,021 A * 1/1974 Norgren B23B 27/04
407/110
4,083,644 A * 4/1978 Friedline B23B 27/00
407/101

* cited by examiner

Primary Examiner — Patricia A Palasik
(74) *Attorney, Agent, or Firm* — Faegre Drinker Biddle &
Reath LLP

(57) **CLAIM**

The ornamental design for a cutting tool, as shown and described.

DESCRIPTION

FIG. 1 is a front view of a cutting tool of the present design;
FIG. 2 is a rear view thereof;
FIG. 3 is a right side view thereof;
FIG. 4 is a left side view thereof;
FIG. 5 is a top view thereof;
FIG. 6 is a bottom view thereof;
FIG. 7 is a first perspective view thereof;
FIG. 8 is a second perspective view thereof;
FIG. 9 is a third perspective view thereof;
FIG. 10 is a fourth perspective view thereof; and,
FIG. 11 is a fifth perspective view thereof.

1 Claim, 6 Drawing Sheets

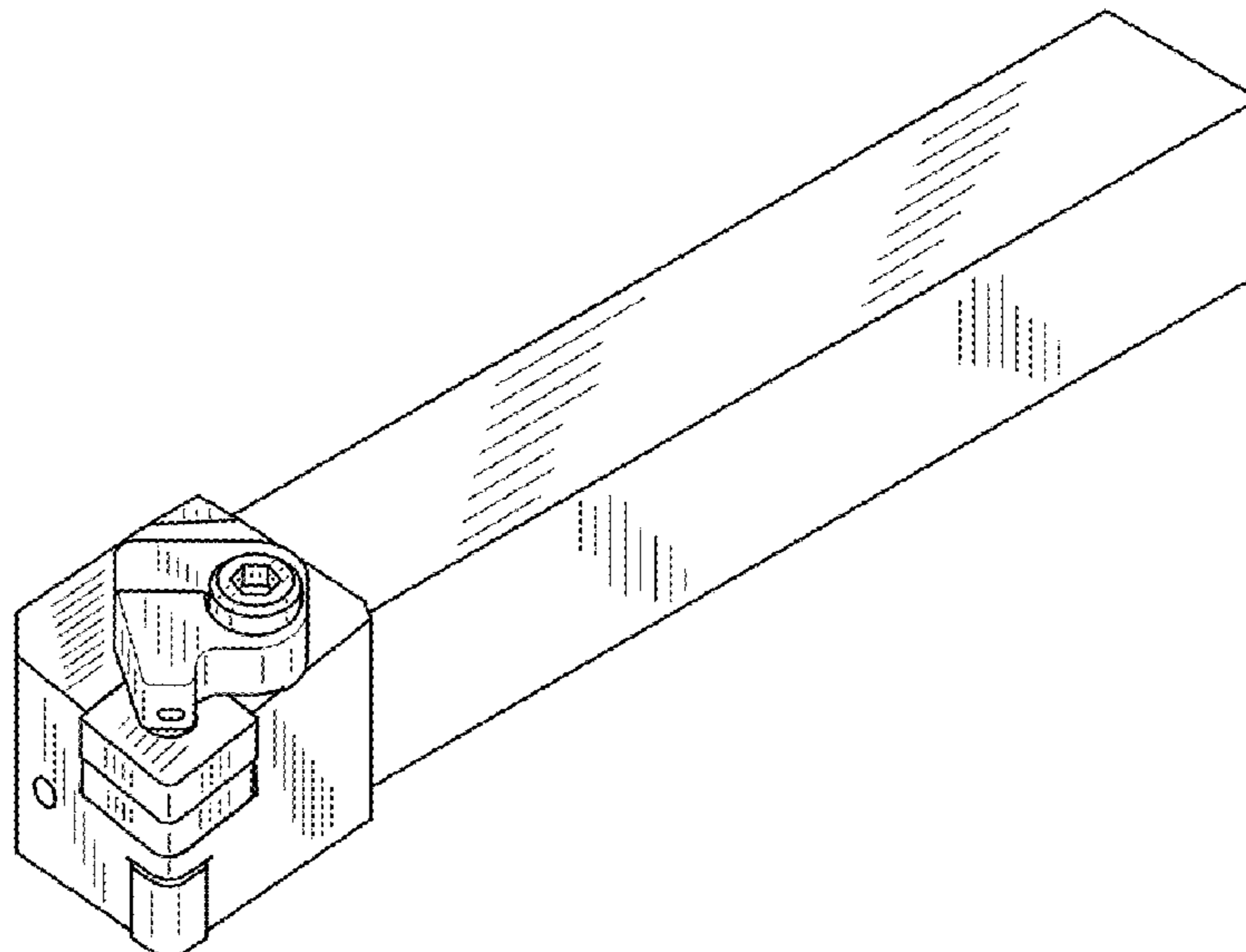


FIG.1

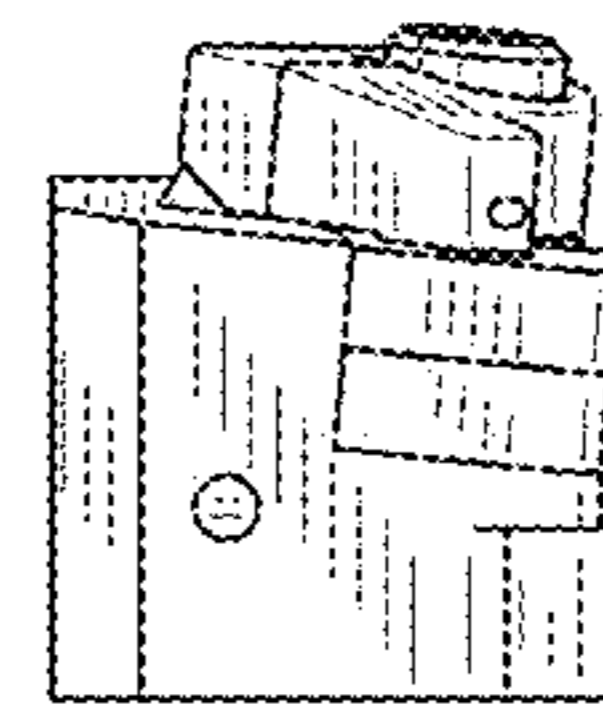


FIG.2

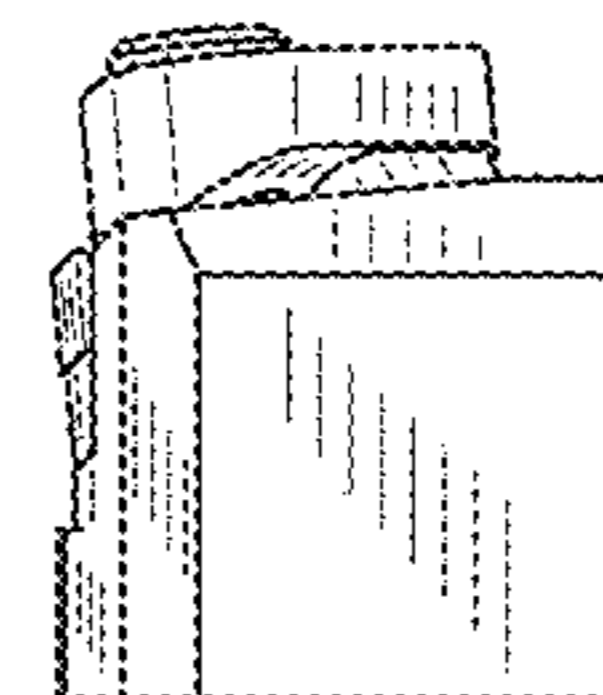


FIG.3



FIG.4

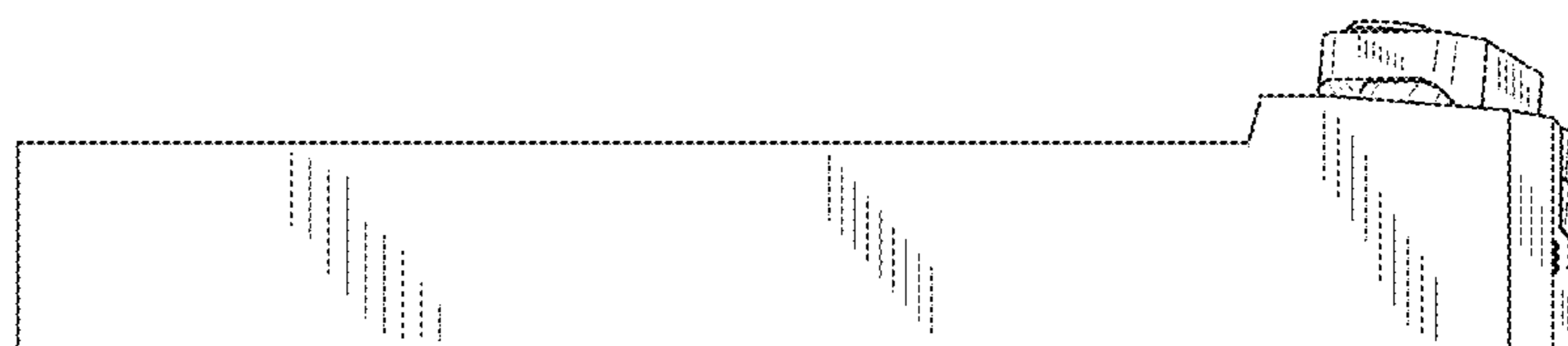


FIG.5

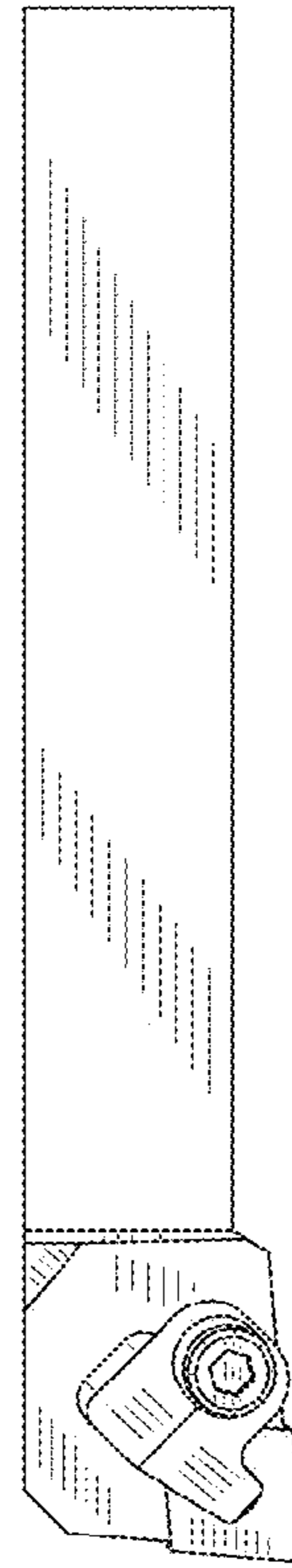


FIG.6

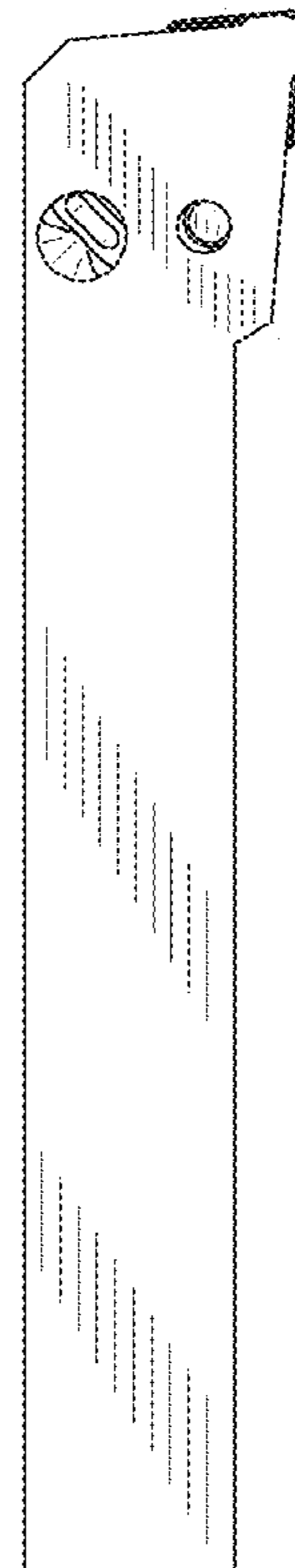


FIG.7

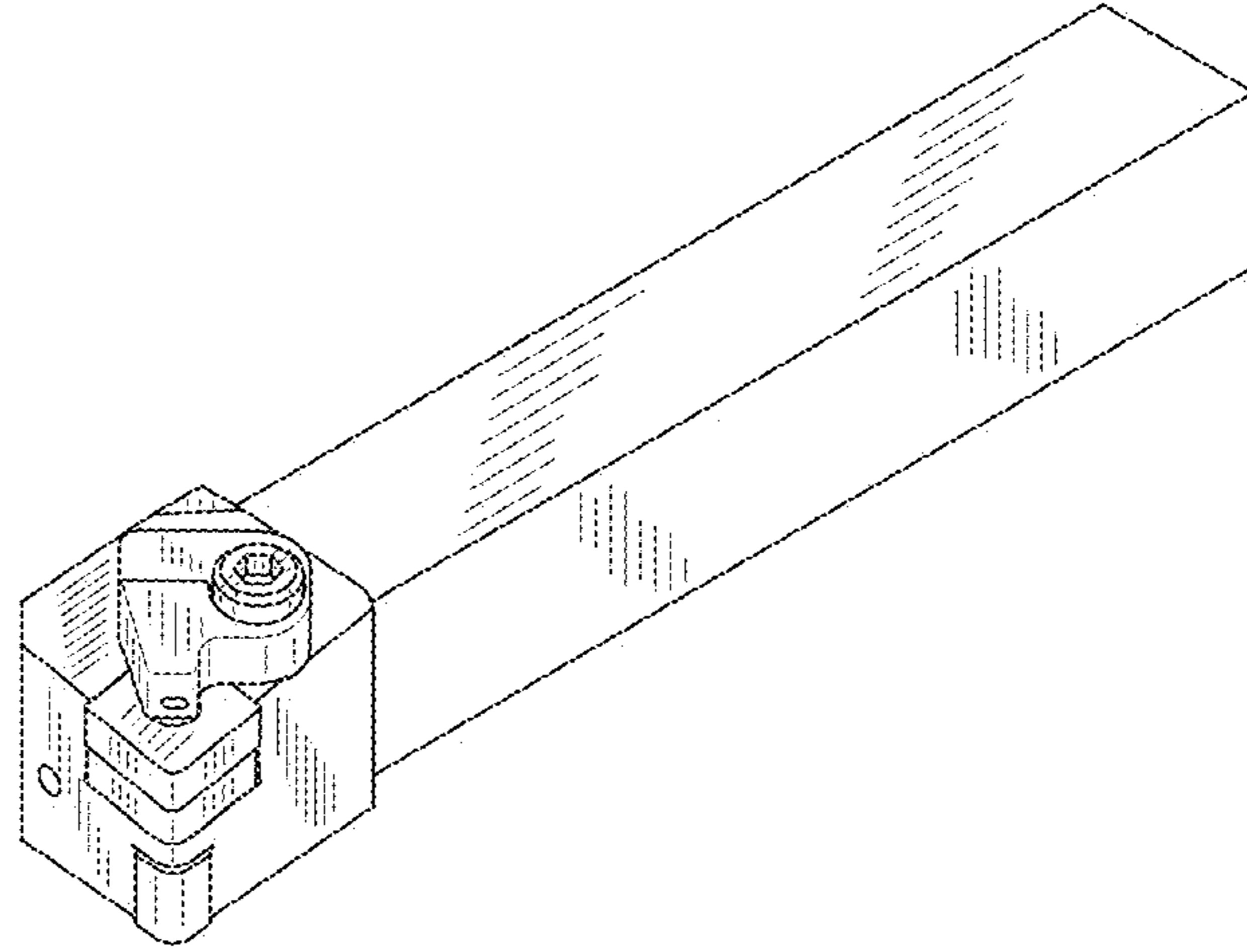


FIG.8

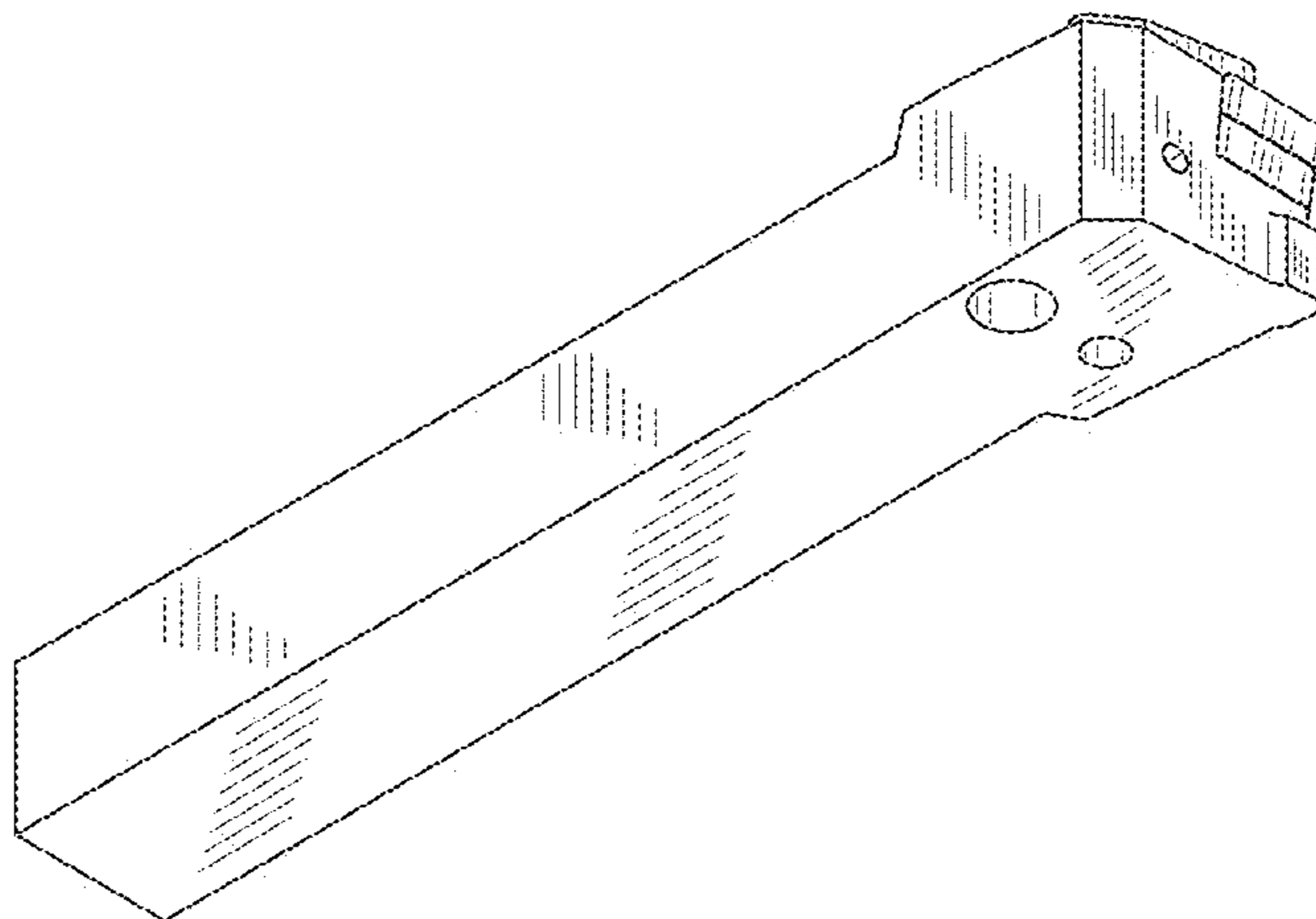


FIG.9

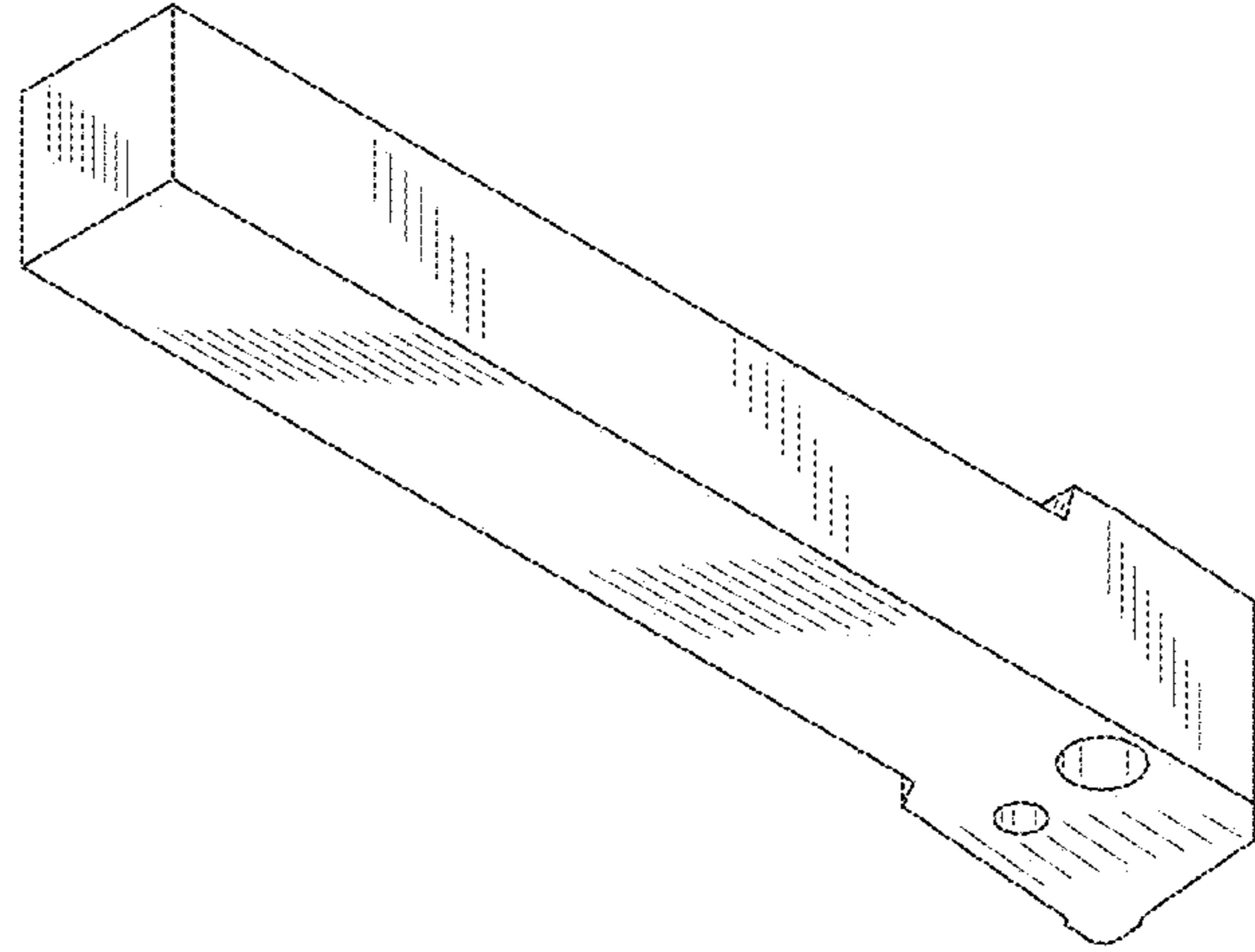


FIG.10

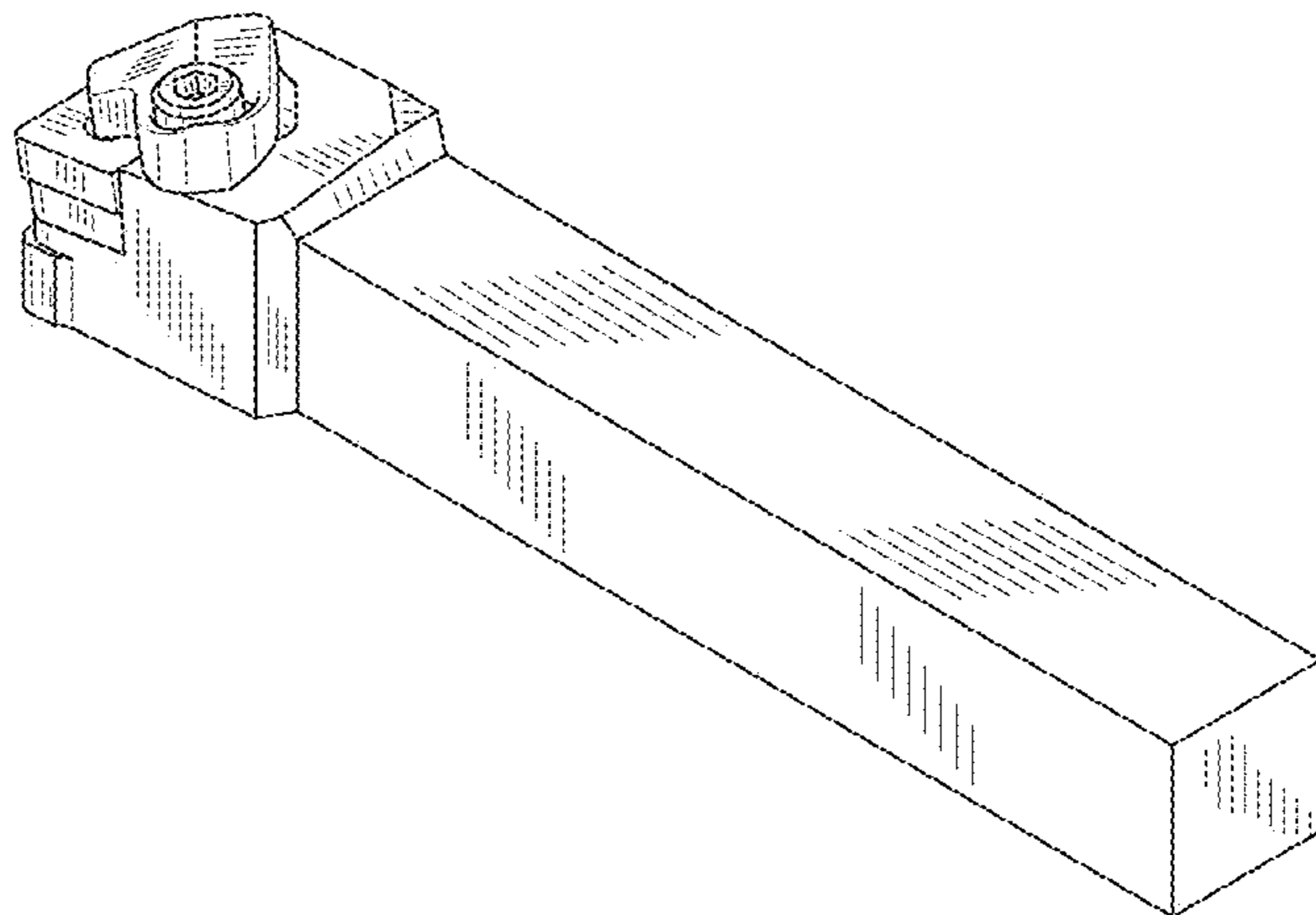


FIG. 11

