

US00D910094S

(12) **United States Design Patent** (10) **Patent No.:** **US D910,094 S**
Zeiner et al. (45) **Date of Patent:** **** Feb. 9, 2021**

(54) **CUTTING TOOL**

FOREIGN PATENT DOCUMENTS

(71) Applicant: **SUMITOMO ELECTRIC HARDMETAL CORP.**, Itami (JP)

KR 3010345740001 * 11/2019
KR 3010345740004 * 11/2019

(Continued)

(72) Inventors: **Christoph Zeiner**, Willich (DE);
Makoto Abe, Willich (DE); **Andreas Widmann**, Willich (DE)

OTHER PUBLICATIONS

(73) Assignee: **SUMITOMO ELECTRIC HARDMETAL CORP.**, Itami (JP)

Sumiboron Binderless NCB100 _ Products _ Sumitomo Electric Hardmetal, Earliest Available Date Oct. 31, 2018 [Online], [Site Visited Sep. 15, 2020] Available From Internet, URL: <https://www.sumitool.com/en/products/cutting-tools/cbn-pcd/ncb100.html> (Year: 2018).*

(**) Term: **15 Years**

Primary Examiner — Sandra Snapp

(21) Appl. No.: **29/682,820**

Assistant Examiner — Donald B Rose, Jr.

(22) Filed: **Mar. 8, 2019**

(74) *Attorney, Agent, or Firm* — Faegre Drinker Biddle & Reath LLP

(30) **Foreign Application Priority Data**

(57) **CLAIM**

Sep. 11, 2018 (JP) 2018-019806
Sep. 11, 2018 (JP) 2018-019807

The ornamental design for a cutting tool, as shown and described.

(Continued)

DESCRIPTION

(51) **LOC (13) Cl.** **15-09**

(52) **U.S. Cl.**
USPC **D15/139; D15/77; D15/133; D15/138**

(58) **Field of Classification Search**
USPC D15/77, 133, 138, 139, 127; D8/66, 20, D8/64, 65, 70; 144/176, 218, 231, 235, 144/241, 294; 83/840; 241/194, 294

FIG. 1 is a front view of a cutting tool of the present design;
FIG. 2 is a rear view thereof;
FIG. 3 is a right side view thereof;
FIG. 4 is a left side view thereof;
FIG. 5 is a top view thereof;
FIG. 6 is a bottom view thereof;
FIG. 7 is a first perspective view thereof;
FIG. 8 is a second perspective view thereof;
FIG. 9 is a third perspective view thereof;
FIG. 10 is a first referential view showing the state in use thereof; and,
FIG. 11 is a second referential view showing the state in use thereof.

(Continued)

The broken lines shown in the drawings represent portions of the cutting tool that form no part of the claimed design.

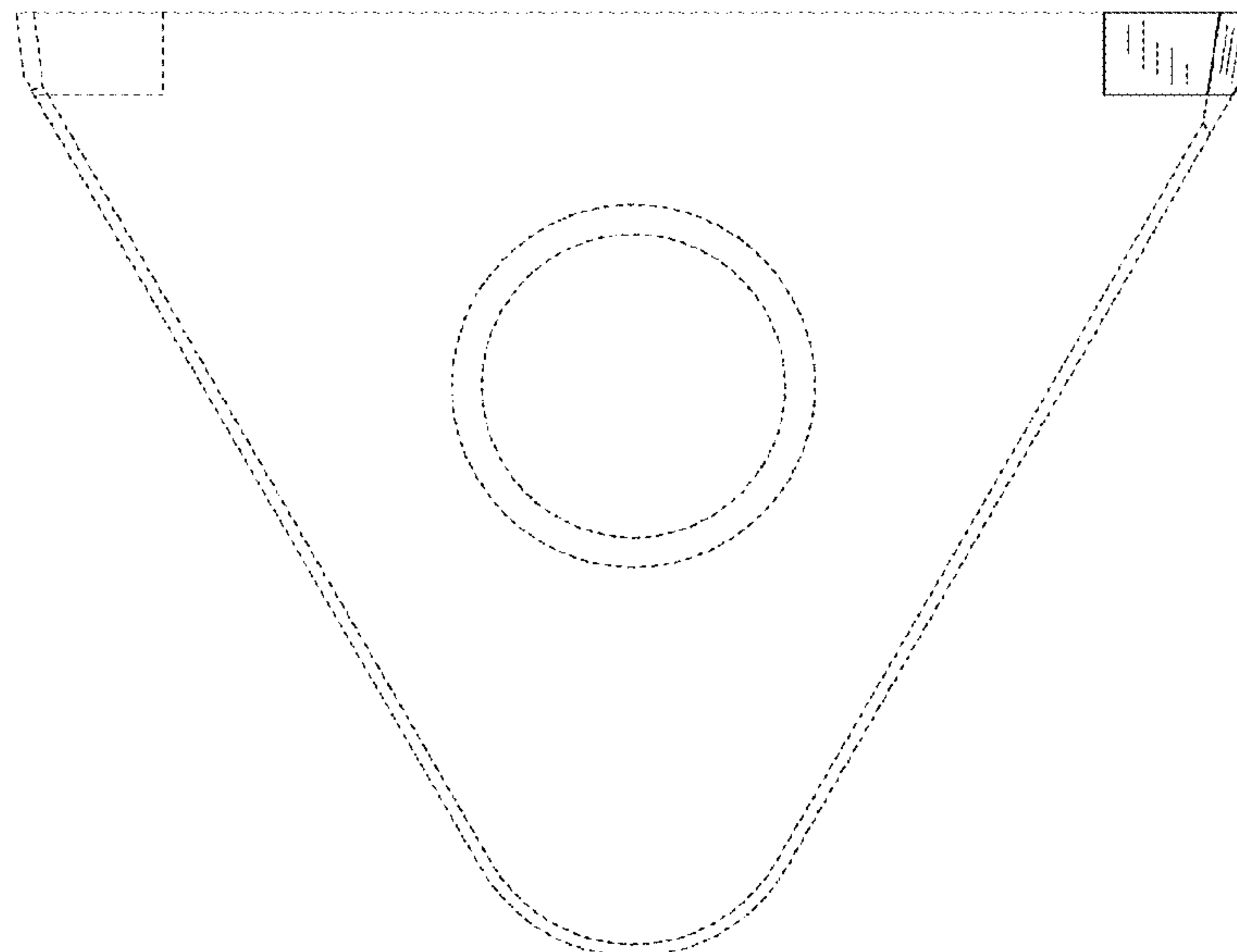
(56) **References Cited**

U.S. PATENT DOCUMENTS

861,768 A * 7/1907 Remsberg B23B 27/16 407/80
5,707,185 A * 1/1998 Mizutani B23C 5/06 407/42

(Continued)

1 Claim, 6 Drawing Sheets



(30) Foreign Application Priority Data

Sep. 11, 2018 (JP) 2018-019808
 Sep. 11, 2018 (JP) 2018-019809
 Sep. 11, 2018 (JP) 2018-019810

(58) Field of Classification Search

CPC A01G 23/067; B02C 4/305; B02C 7/12;
 B02C 18/18; B02C 13/28; B02C 13/2804;
 B27G 13/00; B27G 13/10; B27L 11/00;
 B23B 35/00; B23B 35/109; B23B 35/207;
 B23B 27/16; B23C 5/00; B23C 5/109;
 B23C 5/207

See application file for complete search history.

(56) References Cited

U.S. PATENT DOCUMENTS

5,712,030 A * 1/1998 Goto B23B 27/145
 407/119
 D485,852 S * 1/2004 Arvidsson D15/139
 6,712,105 B1 * 3/2004 Cannon B27G 13/005
 144/218
 D538,127 S * 3/2007 Watanabe D15/139
 D628,218 S * 11/2010 Tommassini D15/138
 D654,101 S * 2/2012 Dale D15/127
 D664,168 S * 7/2012 Okamura D15/139
 D755,266 S * 5/2016 Tomoda D15/139
 D772,316 S * 11/2016 Johnson D15/139
 D779,297 S * 2/2017 Scimone D8/20
 D796,923 S * 9/2017 Scimone D8/20
 D799,572 S * 10/2017 Kanada D15/139

D799,573 S * 10/2017 Tomoda D15/139
 D809,031 S * 1/2018 Burton E21C 35/183
 D15/139
 D820,329 S * 6/2018 Kanada D15/139
 10,010,940 B2 * 7/2018 Hirano B22F 7/062
 D841,704 S * 2/2019 Maeda D15/139
 D850,503 S * 6/2019 Kukino D15/139
 D854,592 S * 7/2019 Matsuda D15/139
 D857,771 S * 8/2019 Maeda D15/139
 D861,755 S * 10/2019 Maeda D15/139
 D862,540 S * 10/2019 Maeda D15/139
 D862,541 S * 10/2019 Maeda D15/139
 D862,542 S * 10/2019 Maeda D15/139
 D862,543 S * 10/2019 Maeda D15/139
 D879,848 S * 3/2020 Kinoshita D15/139
 10,632,542 B2 * 4/2020 Harada B23C 5/165
 D894,982 S * 9/2020 Nagafuchi D15/139
 2015/0125223 A1 * 5/2015 Morrison B23B 27/16
 407/5
 2019/0151964 A1 * 5/2019 Men B23C 5/207
 2019/0262907 A1 * 8/2019 Kusuda B23B 27/22
 2019/0351492 A1 * 11/2019 Shiroma B23C 5/207
 2020/0122242 A1 * 4/2020 Honey B23B 47/287
 2020/0206827 A1 * 7/2020 Zhang B23C 5/109
 2020/0269325 A1 * 8/2020 Zhao B23C 5/109
 2020/0282466 A1 * 9/2020 Ikeda B23B 27/1603
 2020/0282467 A1 * 9/2020 Jiang B23B 27/1611

FOREIGN PATENT DOCUMENTS

KR 3010345740005 * 11/2019
 KR 3010345740003 * 12/2019
 KR 3010345740002 * 2/2020

* cited by examiner

FIG. 1

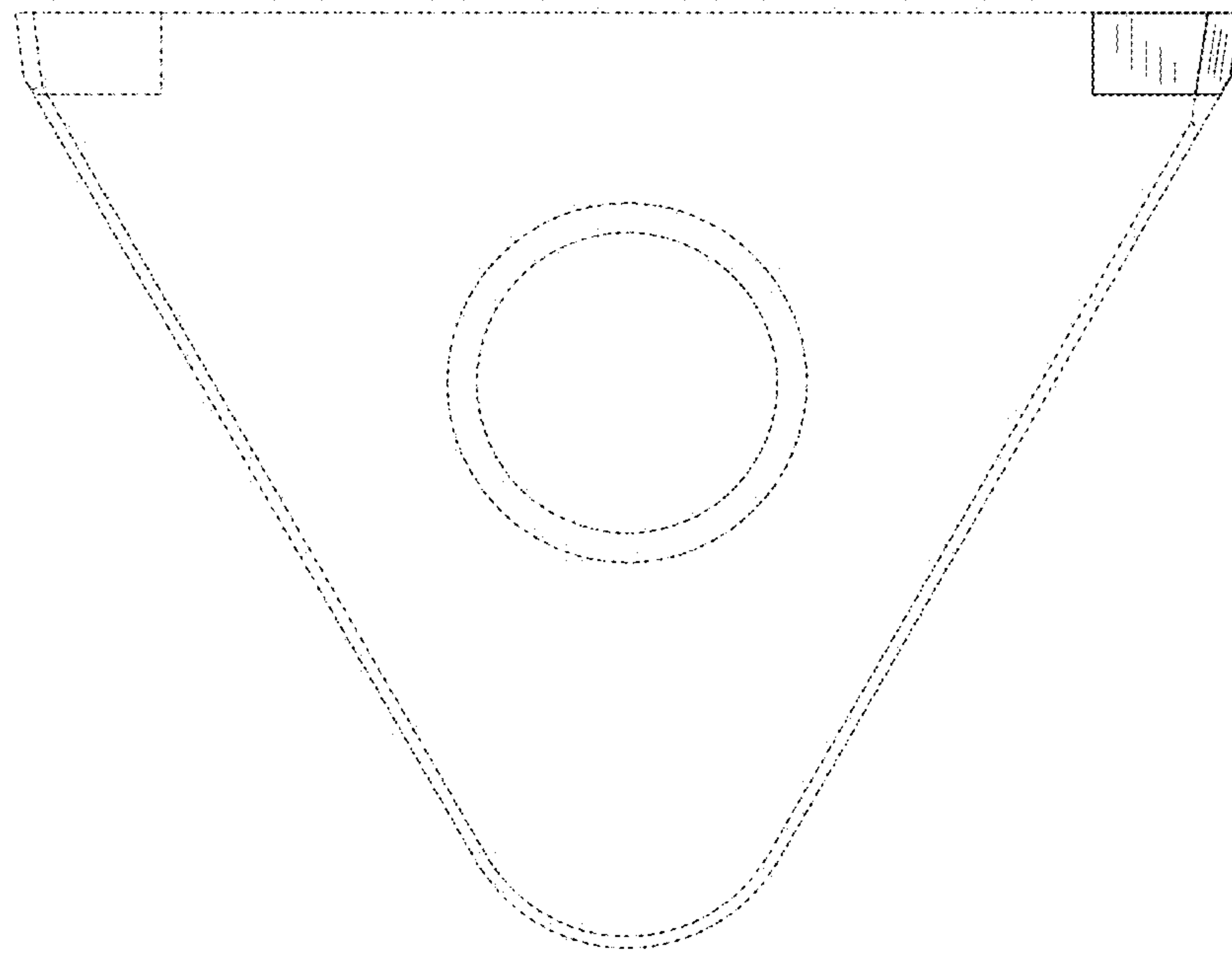


FIG. 2

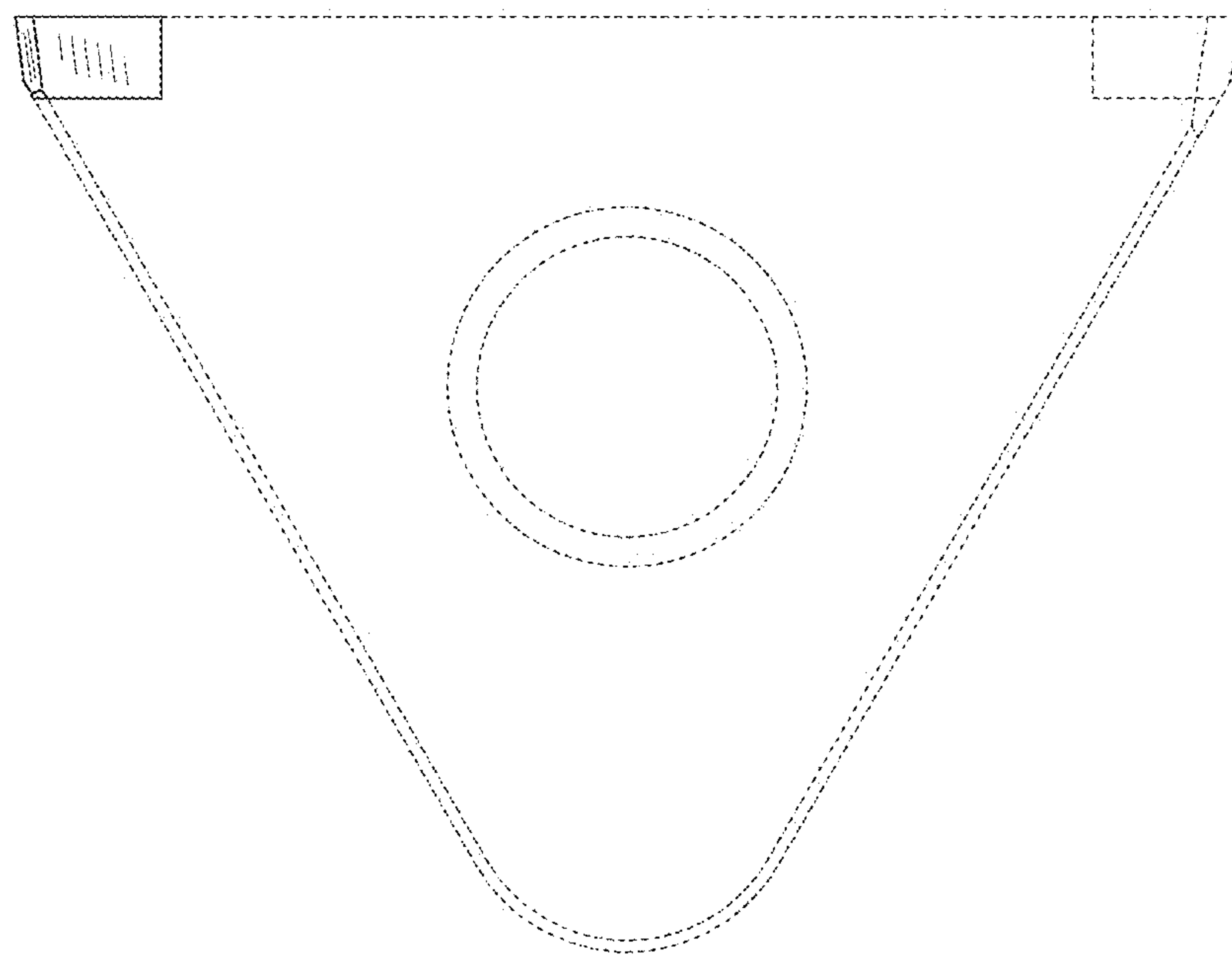


FIG.3

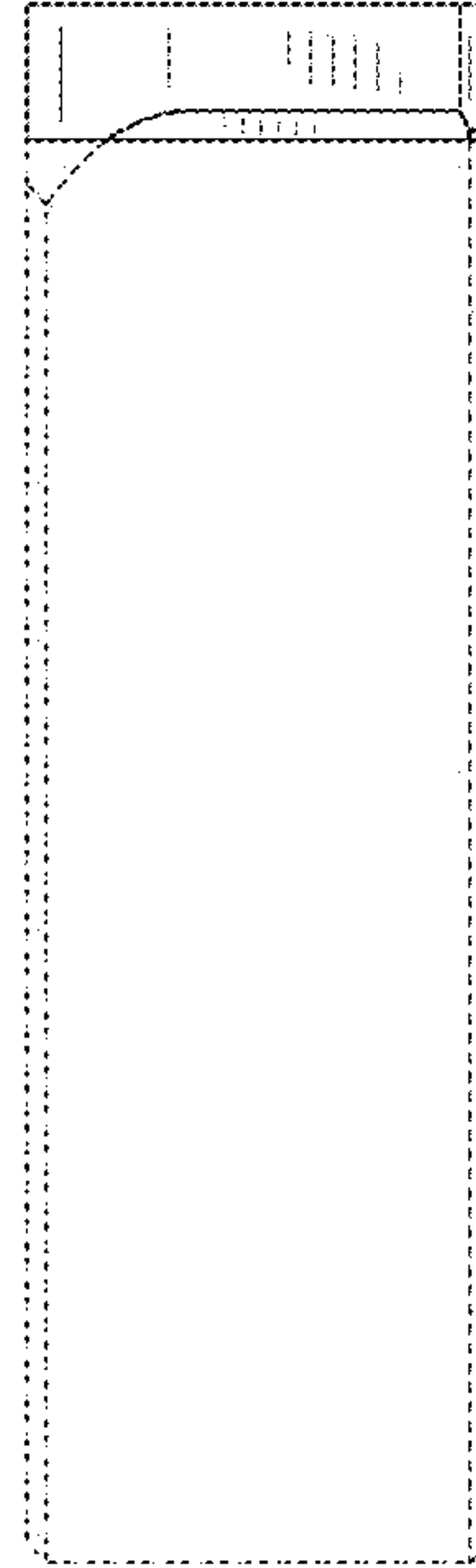


FIG.4

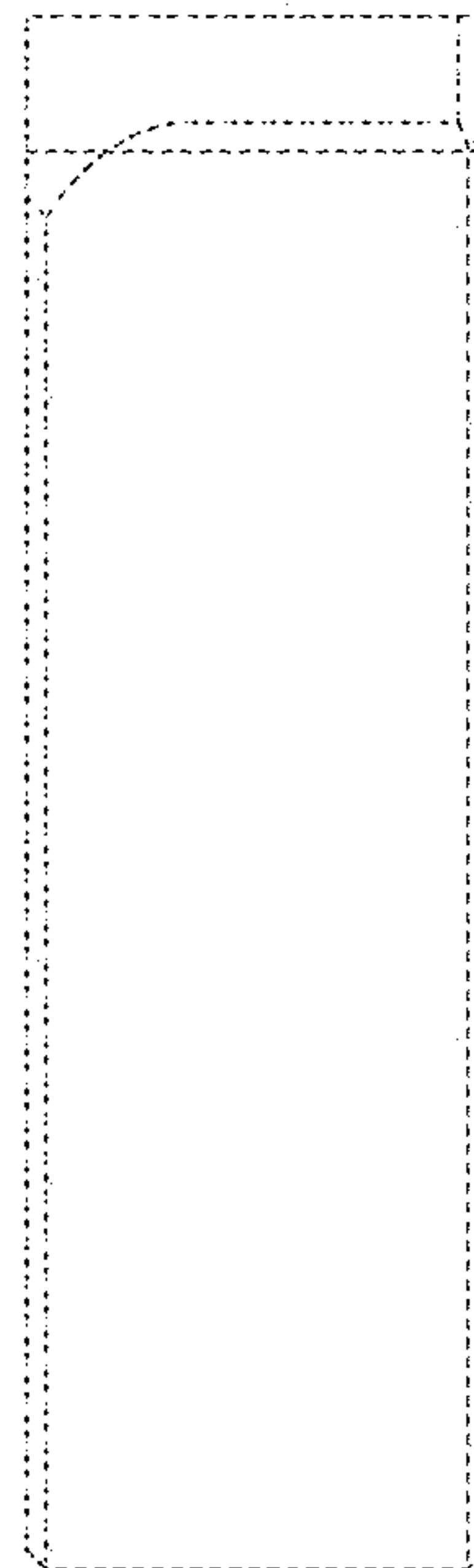


FIG.5

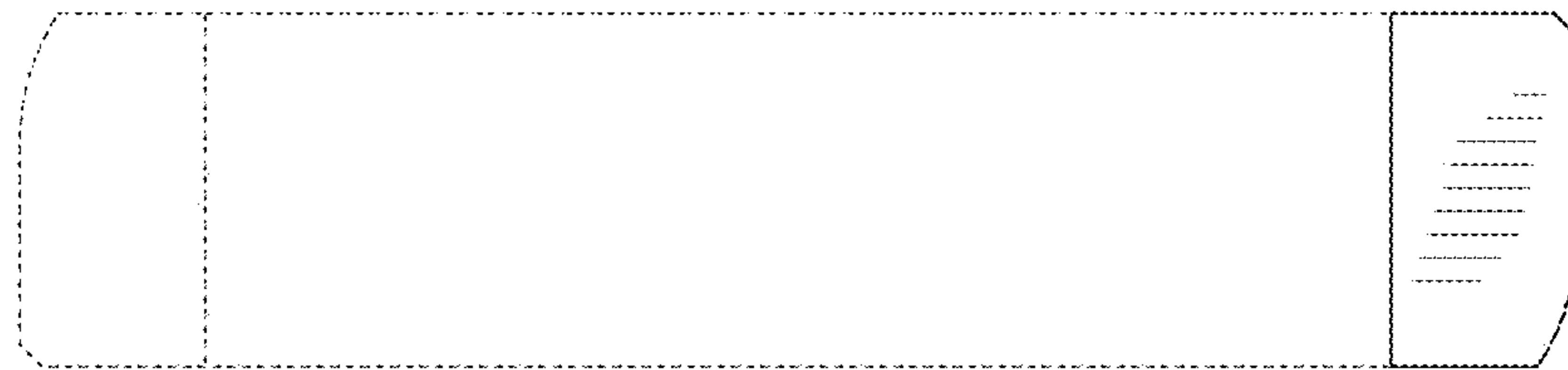


FIG.6

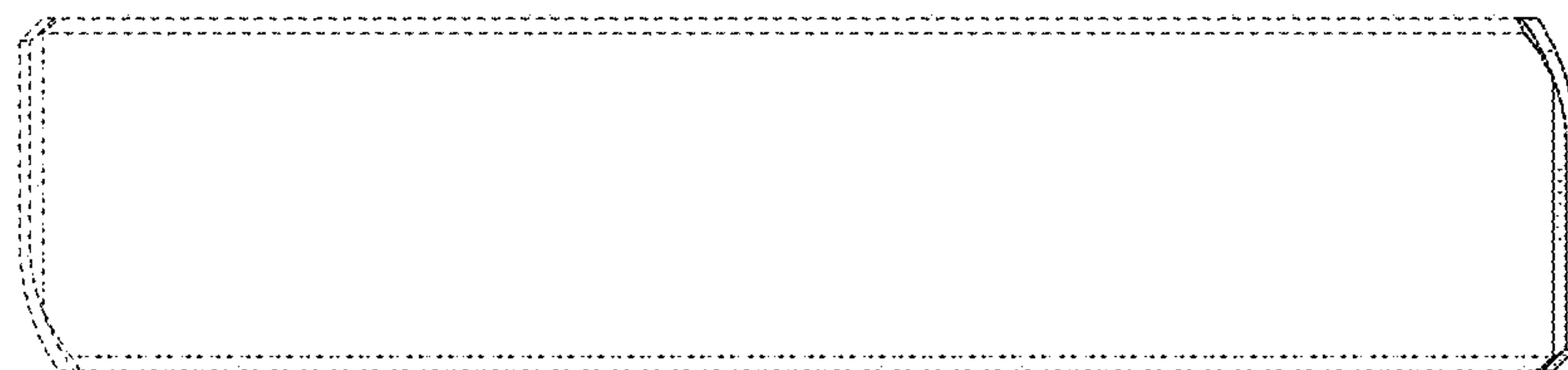


FIG.7

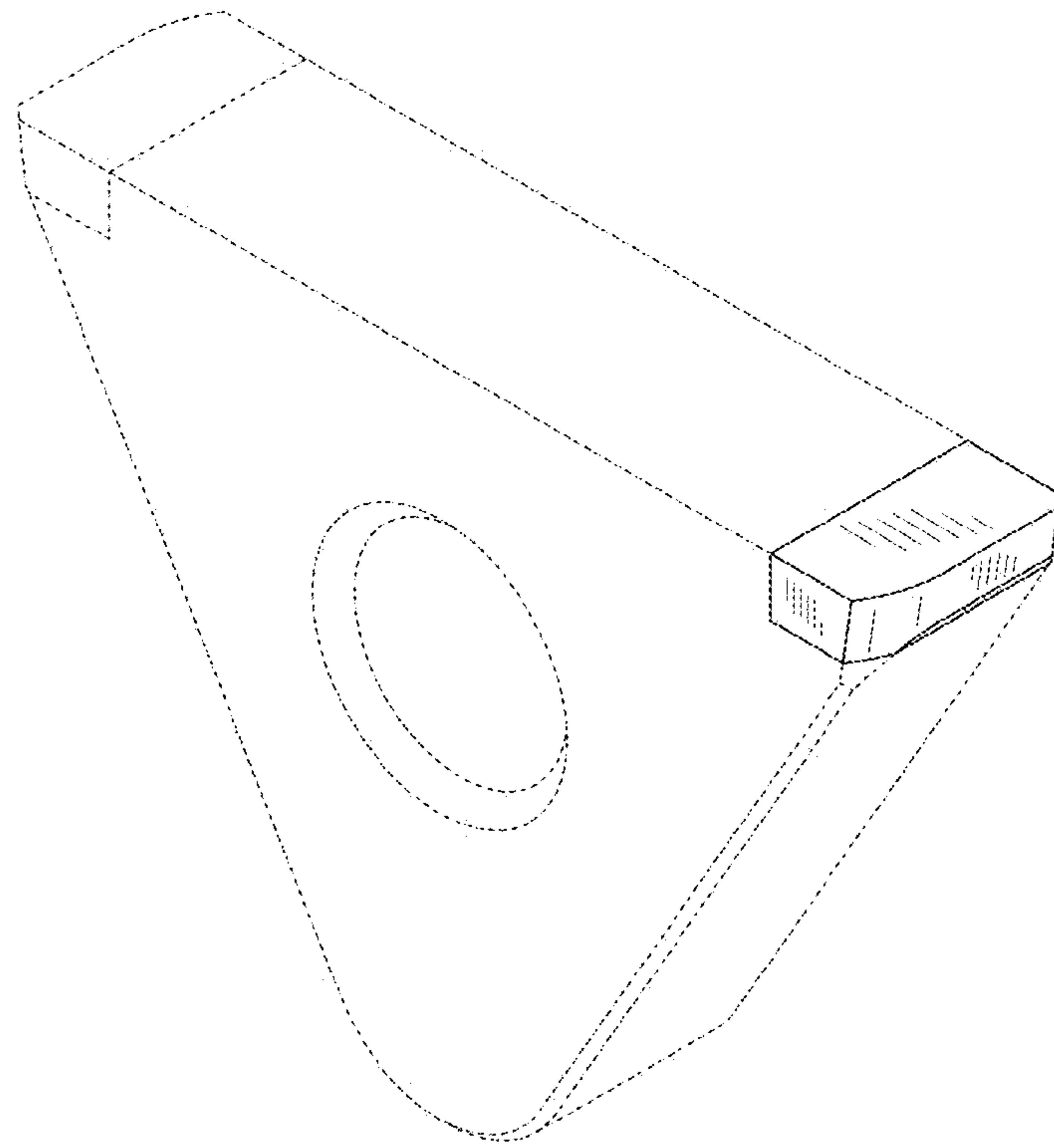


FIG.8

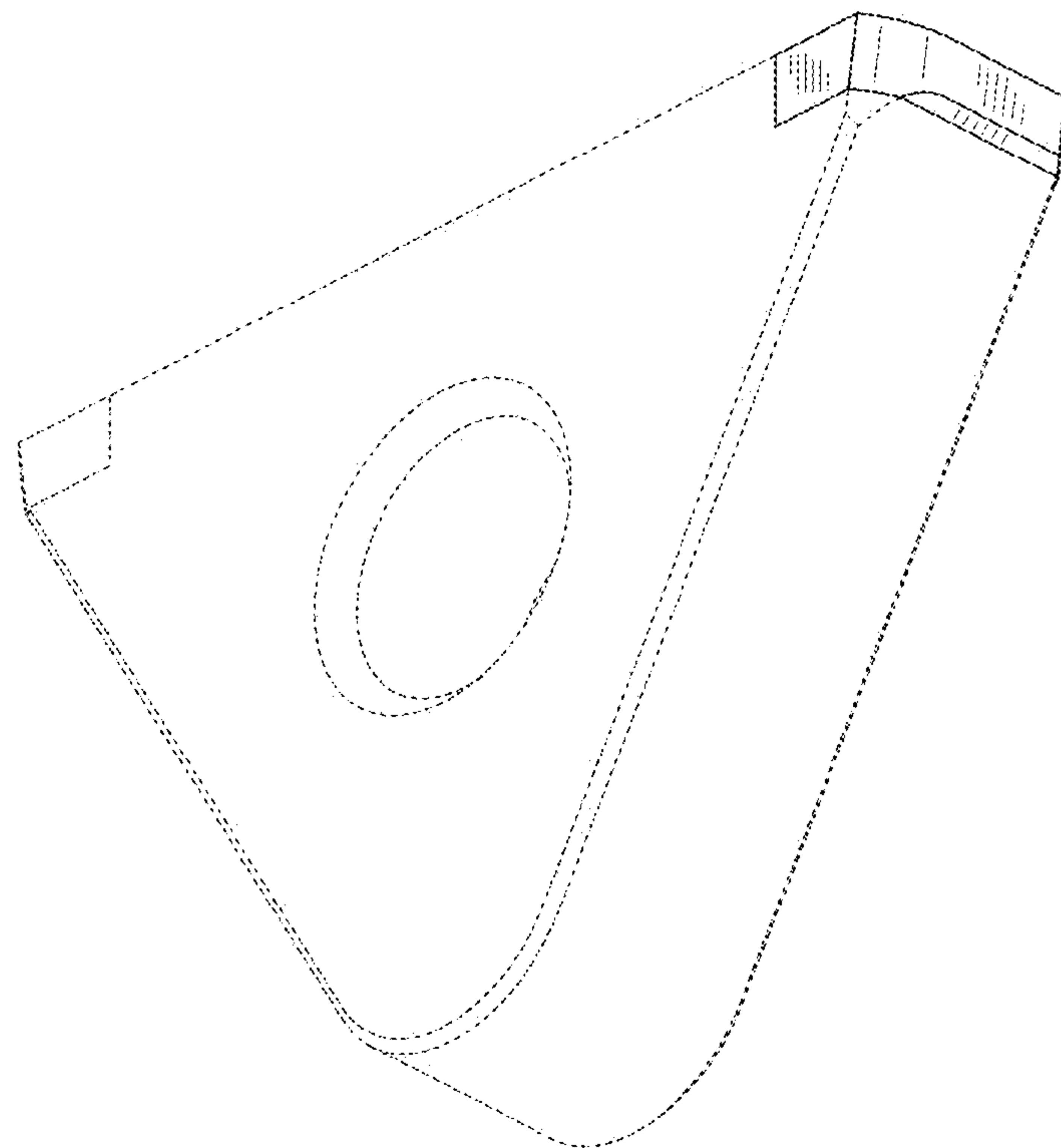


FIG.9

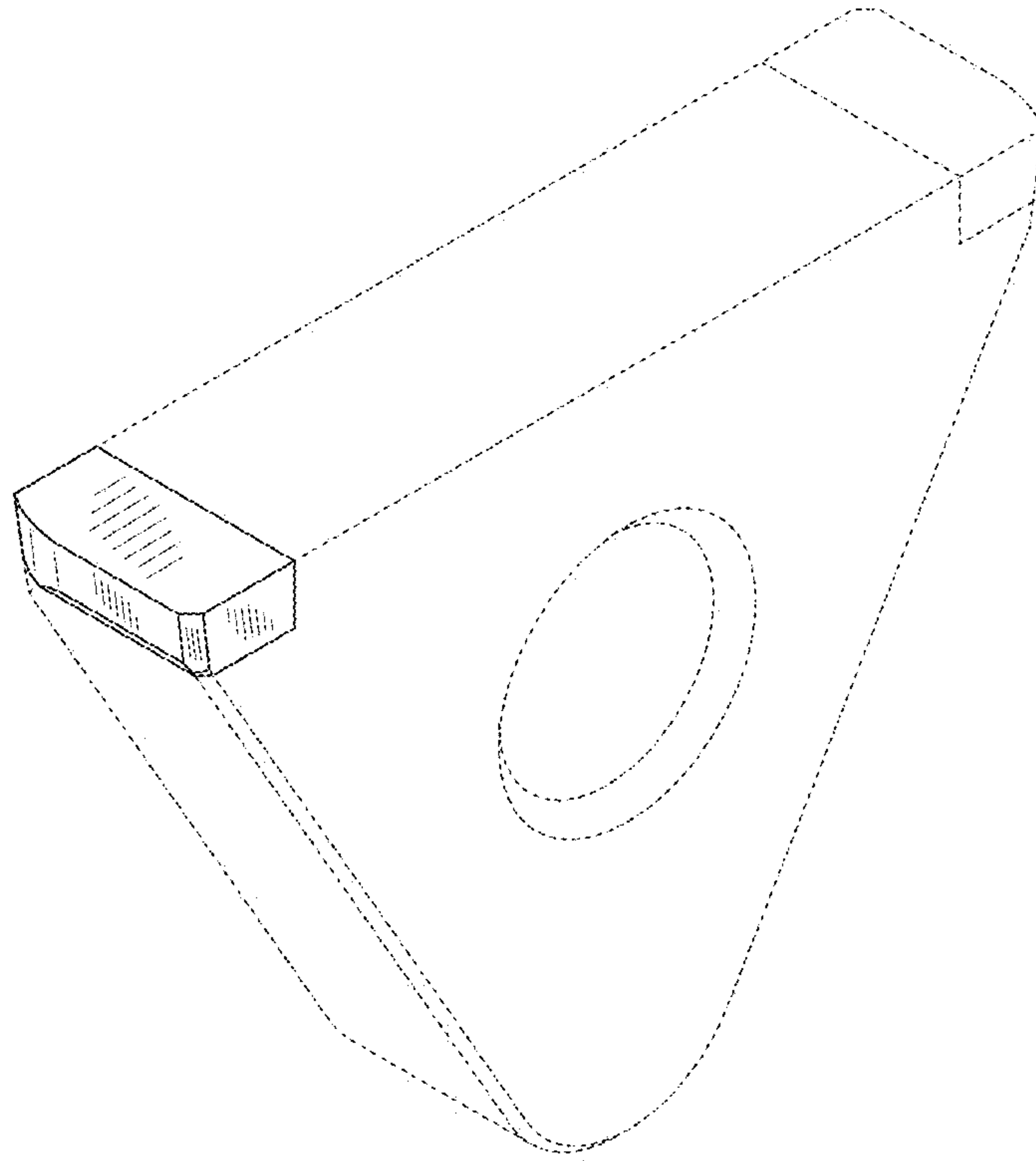


FIG.10

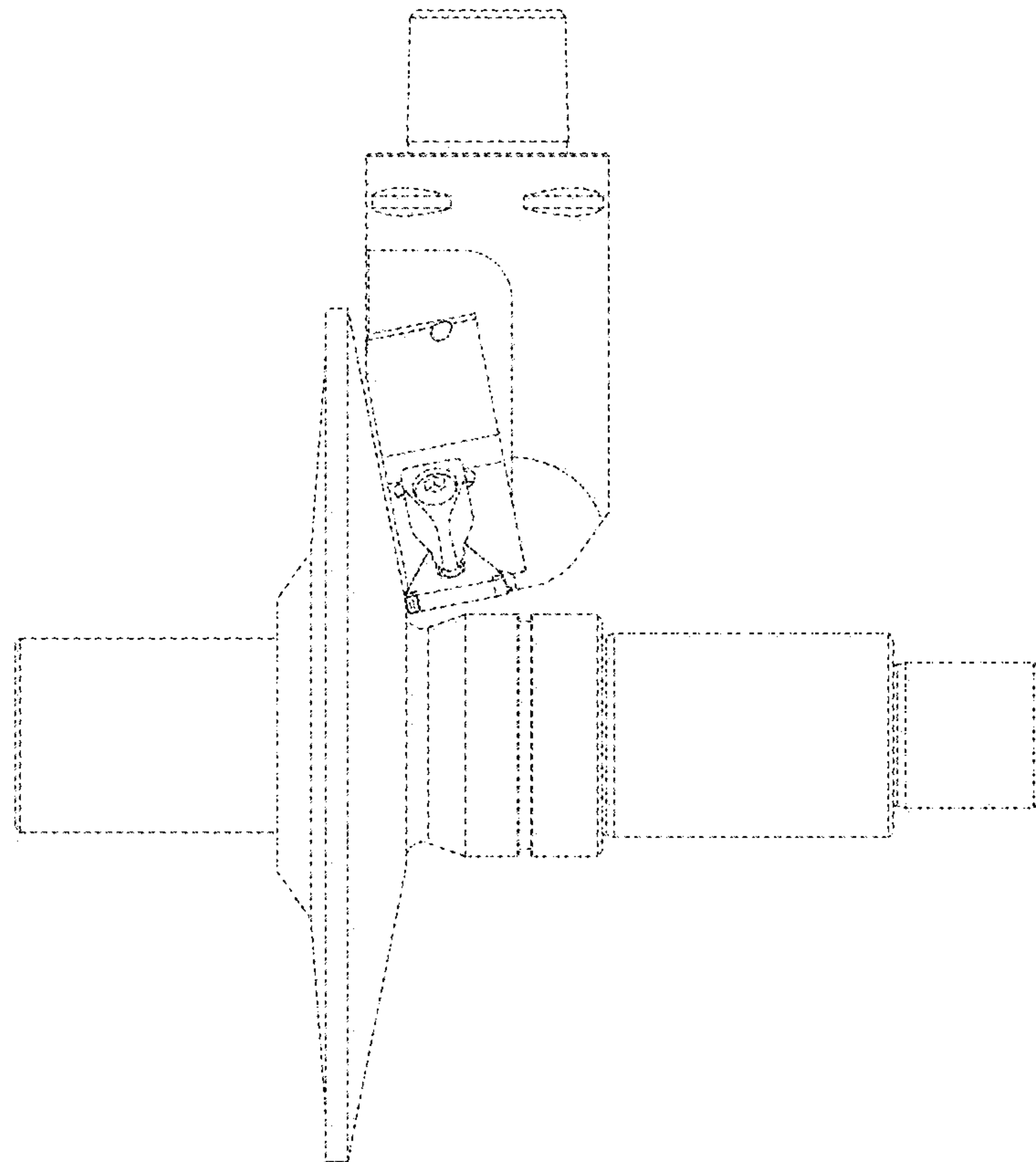


FIG.11

