



US00D910092S

(12) **United States Design Patent** (10) **Patent No.:** **US D910,092 S**
Curry, Jr. (45) **Date of Patent:** **** Feb. 9, 2021**

(54) **CUTTER** 4,454,901 A 6/1984 Thorsness
4,667,713 A 5/1987 Wright
(71) Applicant: **Vermeer Manufacturing Company,** 4,709,737 A 12/1987 Jonsson
Pella, IA (US) (Continued)

(72) Inventor: **James Lee Curry, Jr.,** Memphis, MO (US)

(73) Assignee: **Vermeer Manufacturing Company,** Pella, IA (US)

(**) Term: **15 Years**

(21) Appl. No.: **29/682,059**

(22) Filed: **Mar. 1, 2019**

FOREIGN PATENT DOCUMENTS

CA 2842972 A1 5/2013
EP 1693110 8/2006
(Continued)

OTHER PUBLICATIONS

Other Attachments, Earliest Available Date Sep. 2, 2017 [Online], [Site visited Sep. 9, 2020] Available From Internet, URL:<https://www.power-trac.com/otherattachments.htm> (Year: 2017).*

(Continued)

Related U.S. Application Data

(63) Continuation of application No. 29/677,148, filed on Jan. 17, 2019.

(51) **LOC (13) Cl.** **15-09**

(52) **U.S. Cl.**
USPC **D15/138; D15/77; D15/133**

(58) **Field of Classification Search**
USPC D15/77, 133, 138, 139; 144/176, 218, 144/231, 235, 241, 294; 83/840; 241/194, 294

CPC A01G 23/067; B02C 4/305; B02C 7/12; B02C 18/18; B02C 13/28; B02C 13/2804; B27G 13/00; B27G 13/10; B27L 11/00

See application file for complete search history.

(56) **References Cited**

U.S. PATENT DOCUMENTS

3,570,566 A 3/1971 McCreery
3,831,484 A 8/1974 Gibb
3,844,619 A 10/1974 Haller
3,935,887 A 2/1976 Van Zante et al.
4,222,298 A 9/1980 James

Primary Examiner — Sandra Snapp

Assistant Examiner — Donald B Rose, Jr.

(74) *Attorney, Agent, or Firm* — Michael Best and Friedrich LLP

(57) **CLAIM**

I claim the ornamental design for a cutter, as shown and described.

DESCRIPTION

FIG. 1 is a perspective view of a cutter showing my new design.

FIG. 2 is a front view of the cutter of FIG. 1.

FIG. 3 is a rear view of the cutter of FIG. 1.

FIG. 4 is a right side view of the cutter of FIG. 1.

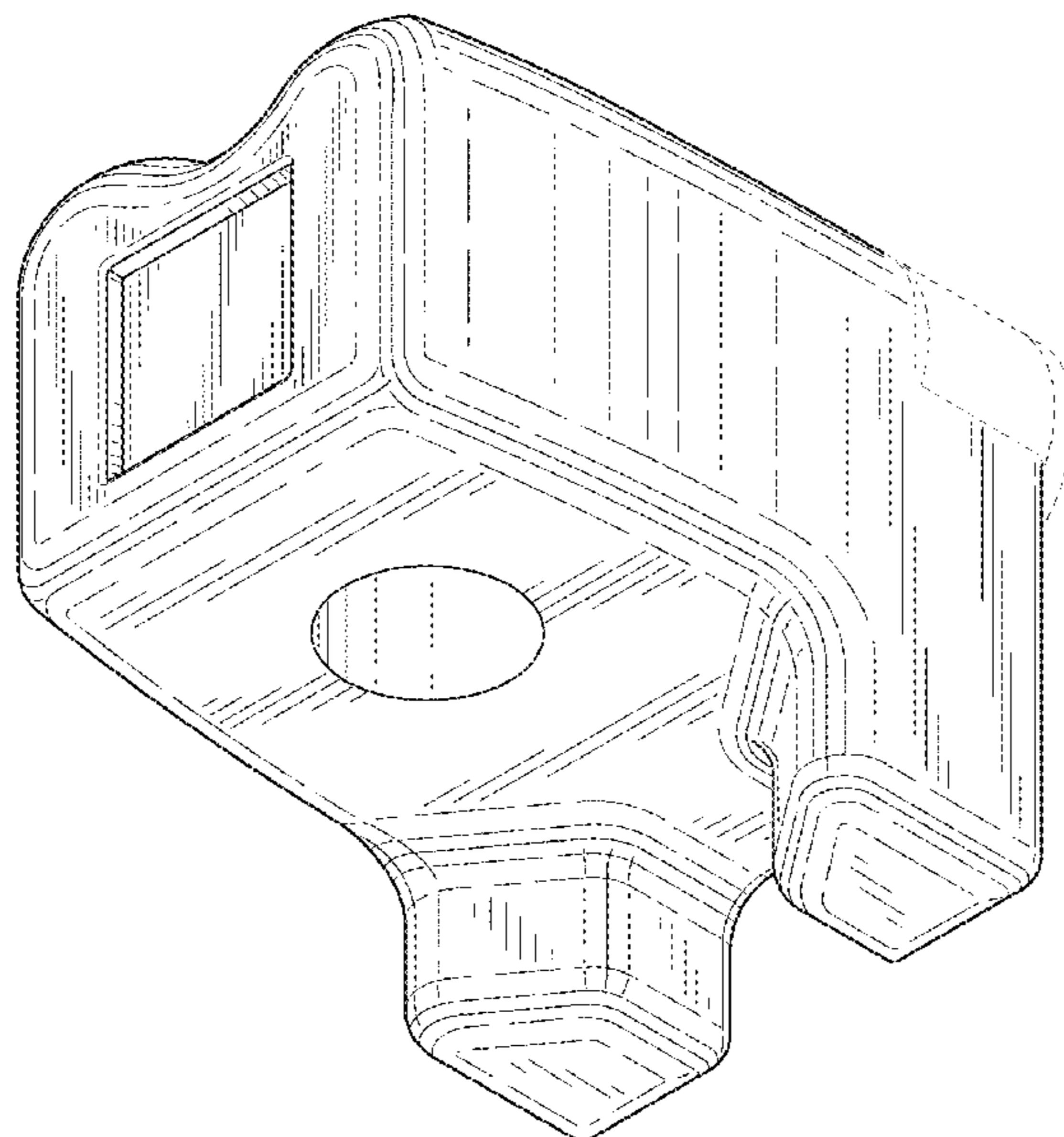
FIG. 5 is a left side view of the cutter of FIG. 1.

FIG. 6 is a top view of the cutter of FIG. 1; and,

FIG. 7 is a bottom view of the cutter of FIG. 1.

The dot-dashed lines shown in the drawings represent the boundary lines of the cutter and form no part of the claimed design. The evenly spaced broken lines show portions of the cutter that form no part of the claimed design.

1 Claim, 4 Drawing Sheets



(56)

References Cited

U.S. PATENT DOCUMENTS

4,750,396 A 6/1988 Gaddis et al.
 5,042,733 A 8/1991 Hench
 5,100,070 A 3/1992 Montgomery, Sr.
 5,103,882 A 4/1992 Milbourn
 5,183,089 A 2/1993 Norlander et al.
 5,348,065 A 9/1994 Meyer
 5,365,986 A 11/1994 Hooser
 5,451,128 A 9/1995 Hattersley
 5,477,754 A 12/1995 Herbon
 5,484,111 A 1/1996 Dorscht et al.
 5,497,815 A 3/1996 Bowling
 5,906,231 A 5/1999 Rautio
 5,950,942 A 9/1999 Brand et al.
 6,014,996 A 1/2000 Egging et al.
 6,024,143 A 2/2000 Ritchey
 6,026,781 A 2/2000 Imatake et al.
 6,026,871 A 2/2000 Chapman
 6,045,072 A 4/2000 Zehr
 6,131,838 A 10/2000 Balvanz et al.
 6,230,770 B1 5/2001 Spaargaren
 D447,757 S 9/2001 Rautio
 D448,780 S 10/2001 Rautio
 6,364,227 B1 * 4/2002 Dorscht B02C 13/2804
 241/197
 6,382,277 B1 5/2002 Paumier et al.
 6,394,378 B1 5/2002 Ragnarsson
 6,422,495 B1 * 7/2002 De Boef B02C 13/06
 241/197
 6,464,157 B1 10/2002 Balvanz et al.
 6,520,440 B2 2/2003 Ragnarsson
 6,546,977 B1 4/2003 Monyak et al.
 6,550,504 B1 4/2003 Leonardi et al.
 6,708,743 B2 3/2004 Ziehm
 6,751,553 B2 6/2004 Young et al.
 6,843,435 B2 1/2005 Verhoef et al.
 6,877,535 B1 4/2005 Bennington
 7,011,124 B1 3/2006 Morey
 7,104,294 B2 9/2006 Kopocs et al.
 7,131,606 B2 11/2006 Rogers
 7,143,796 B2 * 12/2006 Arasmith B02C 18/2266
 144/373
 7,213,623 B2 5/2007 Shinn
 7,293,729 B2 11/2007 Ragnarsson
 D567,832 S 4/2008 Edwards
 7,380,576 B2 6/2008 Pizzuto
 7,578,462 B2 8/2009 Edwards
 7,584,921 B1 * 9/2009 Bennington A01G 23/093
 241/294
 7,694,704 B2 4/2010 Gossett
 7,743,803 B2 6/2010 Paumier
 7,815,136 B2 * 10/2010 Arnston B02C 18/146
 241/294
 7,918,252 B2 4/2011 Gossett
 7,938,350 B2 5/2011 Doppstadt et al.
 8,033,490 B1 10/2011 Young et al.
 8,066,213 B2 11/2011 Marquardsen
 8,113,453 B2 2/2012 Bardos
 8,231,072 B2 7/2012 Willibald
 8,408,258 B2 4/2013 Leonardi et al.
 8,540,033 B2 9/2013 Stanley et al.
 8,584,717 B2 11/2013 Leonardi et al.
 8,672,001 B2 3/2014 Leonardi et al.
 9,137,954 B2 9/2015 Leonardi et al.
 D757,124 S 5/2016 Stanley et al.
 D772,951 S 11/2016 Stanley et al.
 9,578,816 B2 2/2017 Green et al.
 9,686,922 B2 6/2017 Cairns
 D796,291 S 9/2017 Sewell et al.
 D796,292 S 9/2017 Sewell et al.
 D807,935 S * 1/2018 Dudzinsky B23C 5/2221
 D15/139
 9,894,848 B2 2/2018 Weinberg et al.
 10,051,798 B2 8/2018 Leonardi et al.
 D845,360 S * 4/2019 Kobayashi D15/139

D852,245 S * 6/2019 Kobayashi D15/139
 D880,547 S * 4/2020 Weinberg D15/139
 D884,039 S * 5/2020 Endoh D15/139
 D884,040 S * 5/2020 Endoh D15/139
 D884,041 S * 5/2020 Endoh D15/139
 10,737,275 B2 * 8/2020 Johnson B02C 18/14
 2005/0001084 A1 1/2005 Pizzuto
 2006/0102247 A1 5/2006 Green
 2007/0181725 A1 8/2007 Edwards
 2007/0193428 A1 8/2007 MacLennan et al.
 2008/0105334 A1 5/2008 Leonardi et al.
 2008/0245440 A1 10/2008 Paumier
 2010/0170379 A1 * 7/2010 MacLennan B23D 65/00
 83/840
 2013/0161428 A1 * 6/2013 Hongo B02C 13/2804
 241/73
 2014/0196818 A1 7/2014 Weinberg et al.
 2014/0196819 A1 7/2014 Leonardi et al.
 2014/0217220 A1 * 8/2014 Weinberg A01G 23/093
 241/282.1
 2015/0069160 A1 * 3/2015 Roozeboom B02C 13/2804
 241/191
 2015/0136276 A1 5/2015 Green et al.
 2015/0375233 A1 12/2015 Daining et al.
 2017/0079219 A1 3/2017 Stanley et al.
 2017/0087558 A1 3/2017 Davis
 2018/0125017 A1 5/2018 Leonardi et al.
 2018/0317405 A1 11/2018 Leonardi et al.
 2018/0352757 A1 12/2018 Leonardi et al.
 2020/0197947 A1 * 6/2020 Verzilli B02C 13/2804
 2020/0222999 A1 * 7/2020 Curry, Jr. B28D 1/188

FOREIGN PATENT DOCUMENTS

EP 1214979 1/2008
 EP 2659768 11/2013
 EP 2777385 5/2016
 EP 3090824 A1 11/2016
 EP 1833647 B1 7/2017
 WO 2014110253 7/2014

OTHER PUBLICATIONS

Phantom Wheel Stump Grinder Wheel, Earliest Date Sep. 9, 2020 [Online], [Site visited Sep. 9, 2020] Available From Internet, URL: <<https://www.leonarditreecare.com/products/phantom-wheel>> (Year: 2020).*

Bandit Industries, Inc., "The Beast Horizontal Grinders," parts catalog (2013) pp. 1-20.

Leonardi, "M1 Silver Cutting System," YouTube (2010) 1 page.

Leonardi, "M1 Gold Cutting System," YouTube (2010) 1 page.

Leonardi, "M1 Technique Video," YouTube (2017) 1 page.

Leonardi, "M1 Wheels and Teeth," brocher (2019) 3 pages.

Quadco, "Mower & Grinder Teeth Pocket Guide" brochure/grinder application chart (publicly available at least as early as 2017) www.quadco.com, 2 pages.

Quadco, "Saw Tooth & Disc Pocket Guide" brochure/parts list (publicly available at least as early as 2017) www.quadco.com, 2 pages.

Vermeer, "Genuine Vermeer Grinder Tips," applications guide (2016) 4 pages.

Ditch Witch, "MT16 Microtrencher," website (publicly available at least as early as Nov. 16, 2018) <https://www.ditchwitch.com/trenchers/micro/mt16>, 11 Pages.

Rayco Manufacturing Inc, Image of "RG1635D", 2003.

Bandit Industries Inc., Image of "Model 2890 Stump Grinder", 2011.

Bucktooth Grinding Co. LLC, "About Us", <<http://www.bucktoothgrinding.com/about.html>>, webpage publicly available at least as early as Apr. 28, 2013.

Vermeer, "SC802 Stump Cutter" Informational Brochure, 2015, 2 pages.

(56)

References Cited

OTHER PUBLICATIONS

Greenteeth Manufacturing, "Reverse-S™ Cutting System", <<https://www.greenteeth.com/reverse-cutting>>, webpage publicly available at least as early as Sep. 13, 2018.

ArbLease, "Bandit 2550XP Tracked", <<https://www.arblease.co.uk/machinery/bandit-2550xp-tracked/>>, webpage publicly available at least as early as Sep. 13, 2018.

Leonardi, "Phantom Wheel", YouTube, <<https://www.youtube.com/watch?v=BPI9nxrioy0>>, May 17, 2010.

Leonardi, "M1 Blueshark Wheels and Teeth", <<https://www.leonarditreecare.com/collections/m1-blueshark-wheels-and-teeth>>, Apr. 12, 2012.

Greenteeth Manufacturing, "700 Series", <<https://www.ceisupply.com/greenteeth-700-series-2>>, webpage publicly available at least as early as Mar. 30, 2017.

Greenteeth Manufacturing, "Greenwheel & Quadwheel", <<https://www.greenteeth.com/greenwheel>>, webpage publicly available at least as early as Sep. 13, 2018.

Alpine Magnum, "Multi Tip Replacement Teeth", <<https://www.alpinemagnum.com/multi-tip.htm>>, webpage publicly available at least as early as Feb. 8, 2005.

King Arthur's Tools, "Lancelot Squire About", <<https://katools.com/lancelot-squire-combo-kits/>>, webpage publicly available at least as early as Jun. 12, 2016.

Northern ArbSupplies, "Rotatech Praxis Quadrablade Teeth Set", <<https://www.northernarbsupplies.co.uk/stump-grinder-teeth/3478-rotatech-praxis-quadrablade-teeth-set-7111604712879.html>>, webpage publicly available at least as early as Sep. 13, 2018.

United States Patent Office Non final Rejection for U.S. Appl. No. 16/270,025 dated Jun. 23, 2020 (8 pages).

* cited by examiner

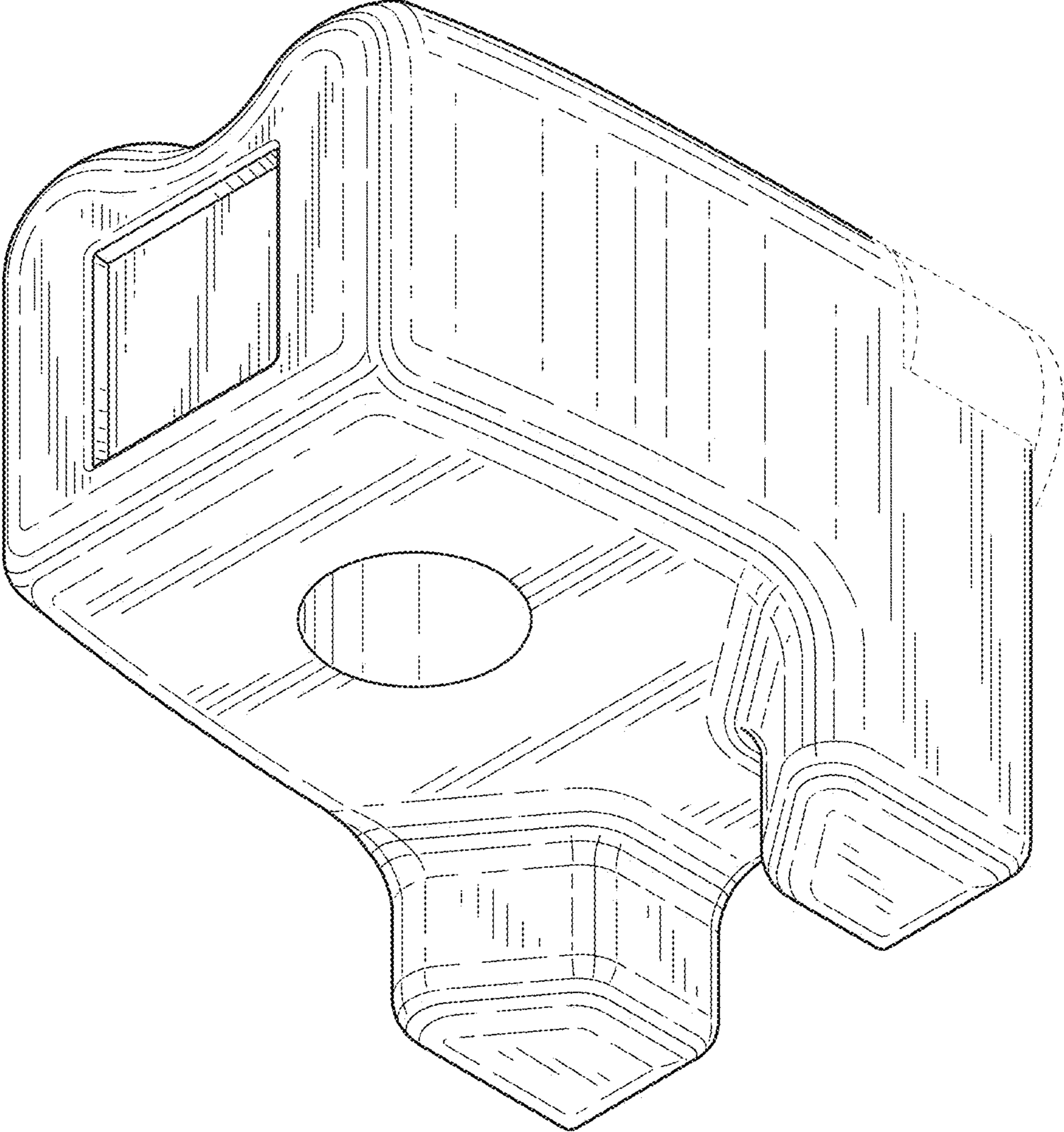


FIG. 1

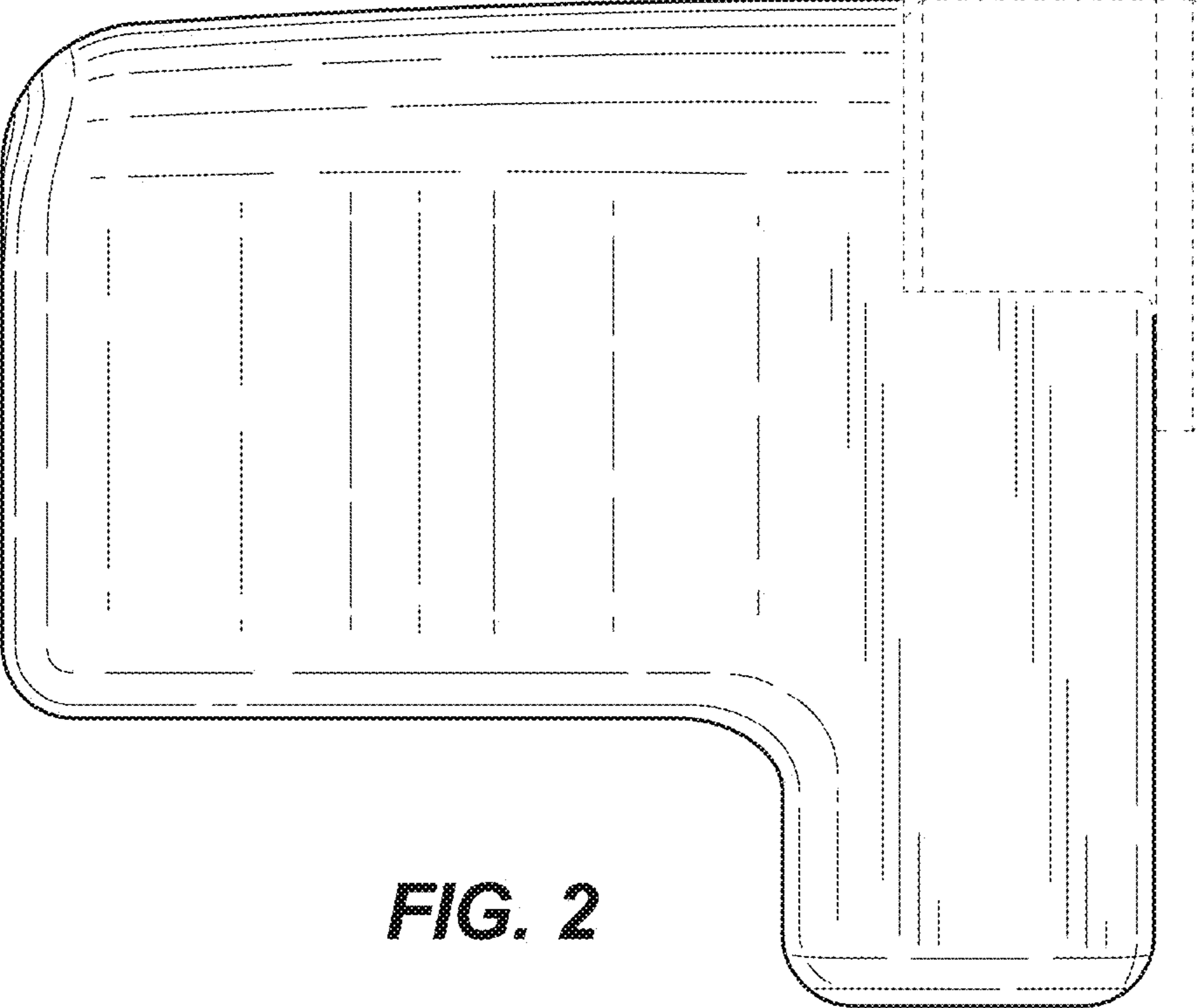


FIG. 2

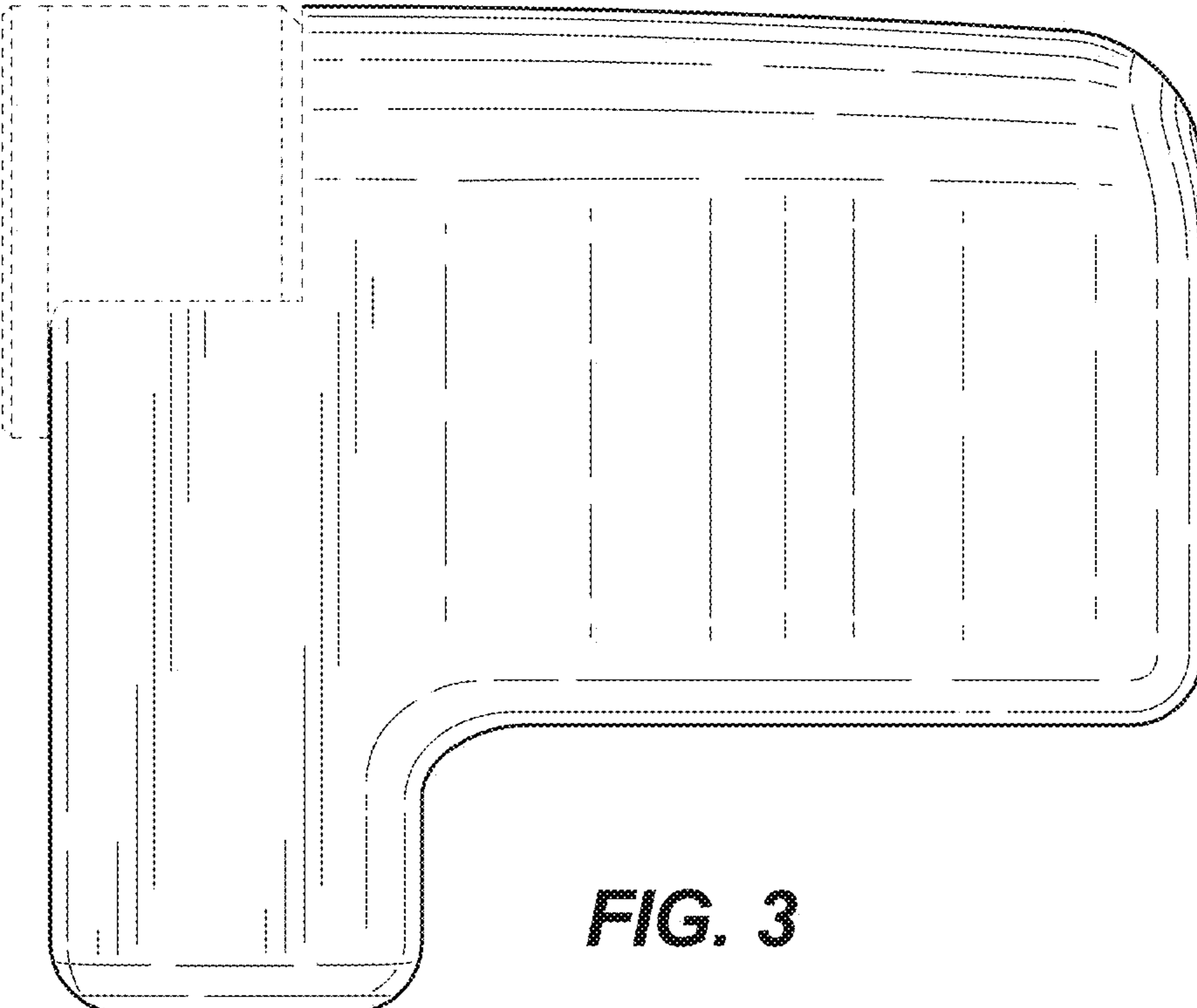


FIG. 3

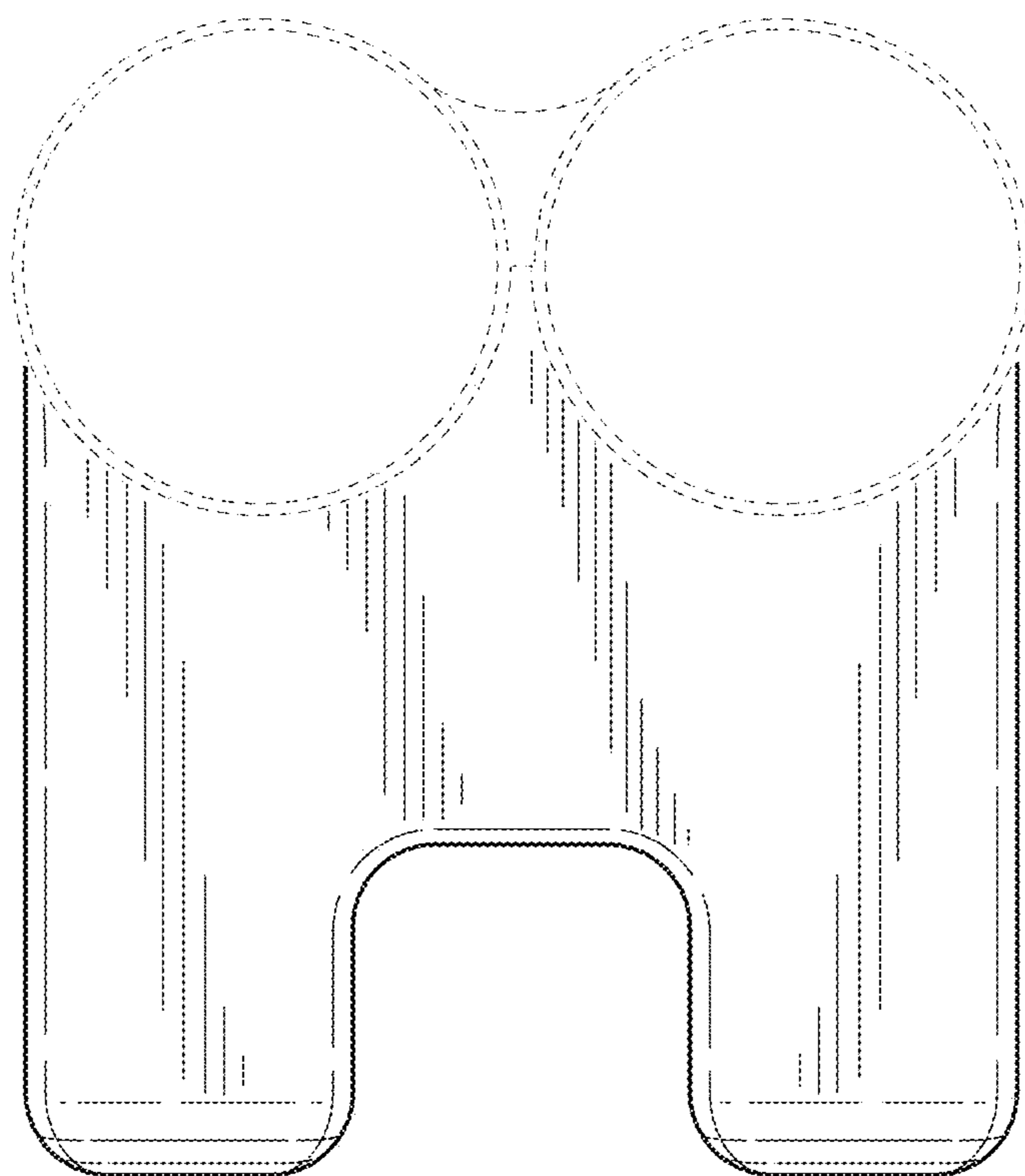


FIG. 4

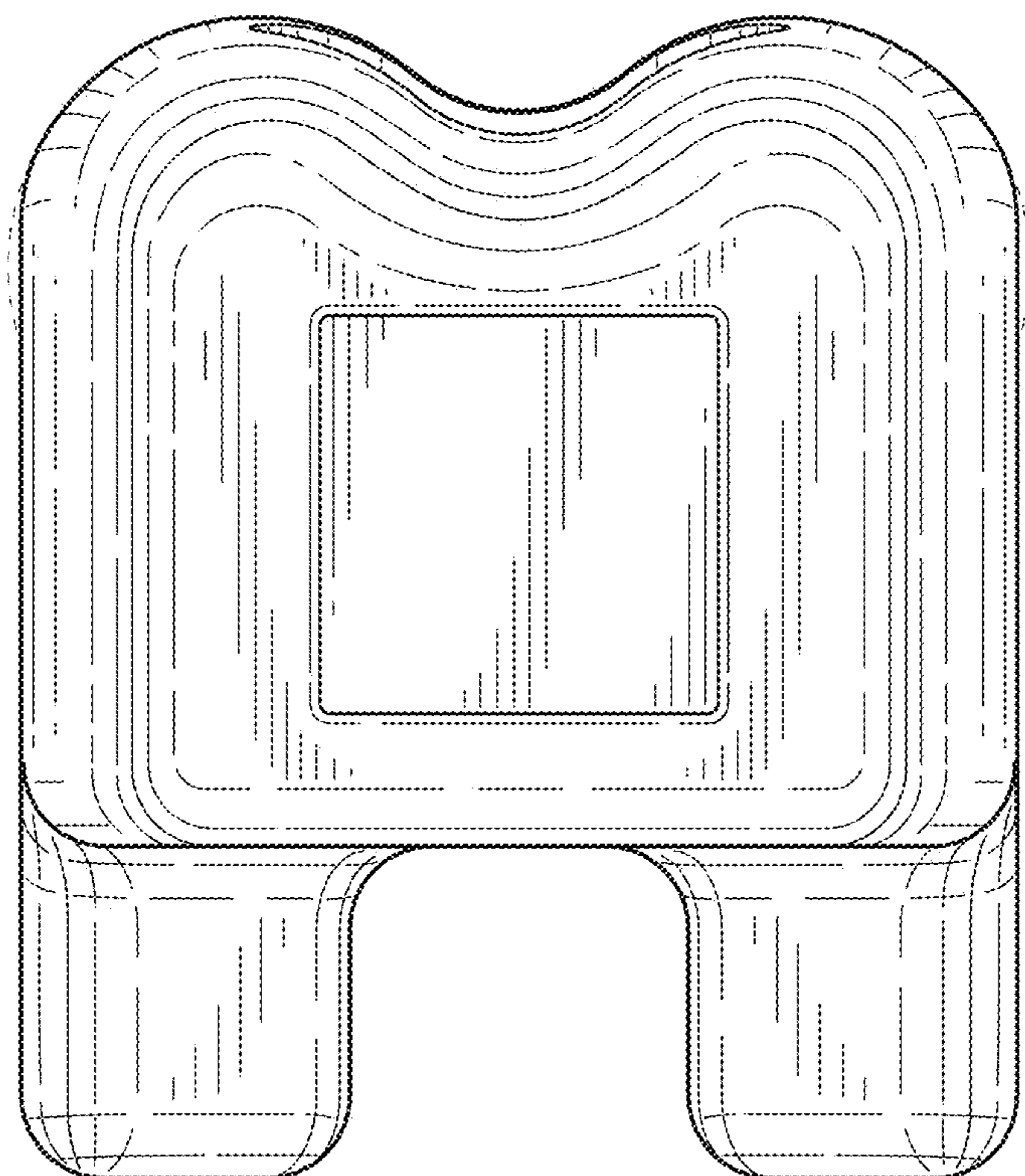


FIG. 5

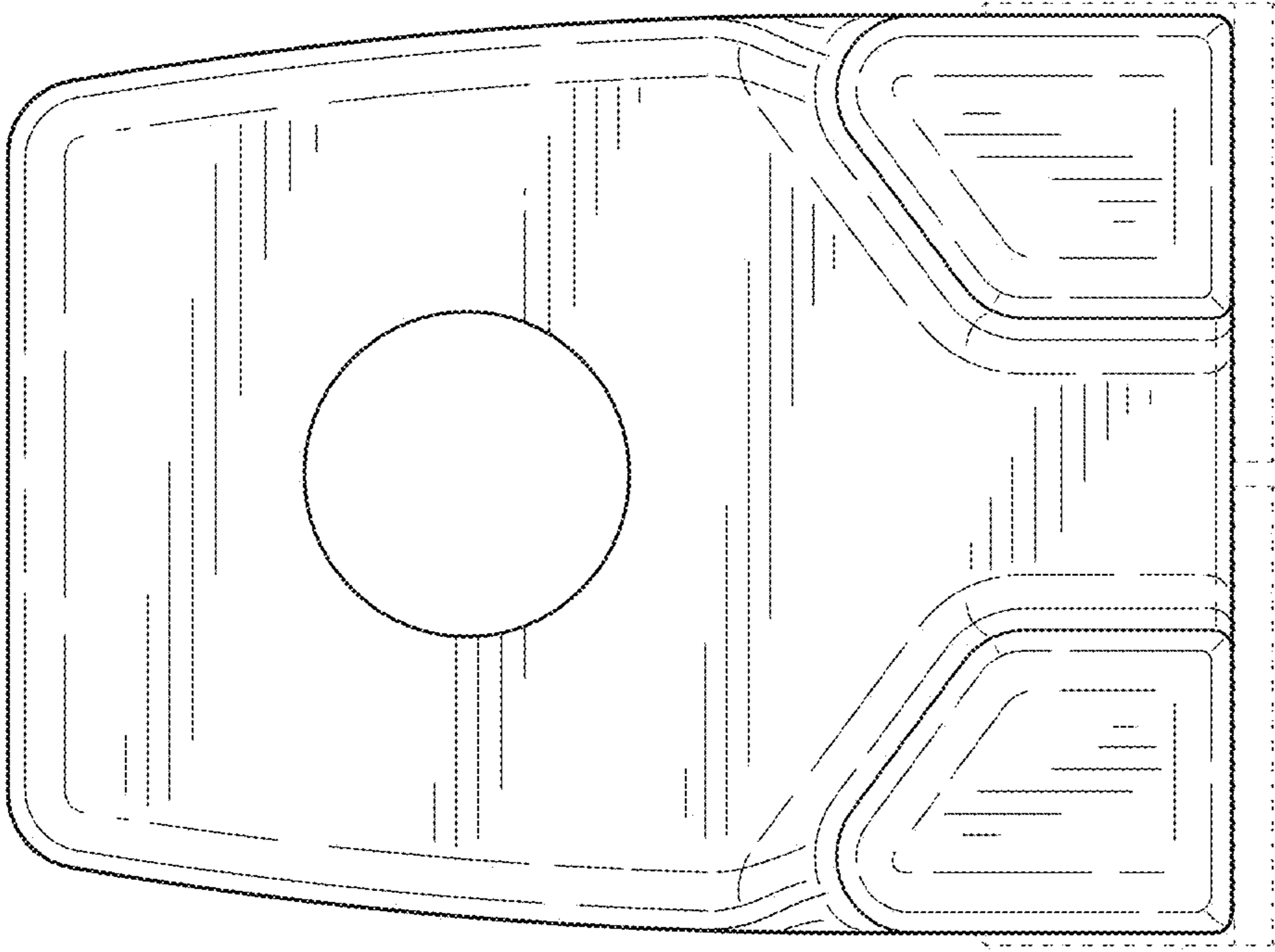


FIG. 7

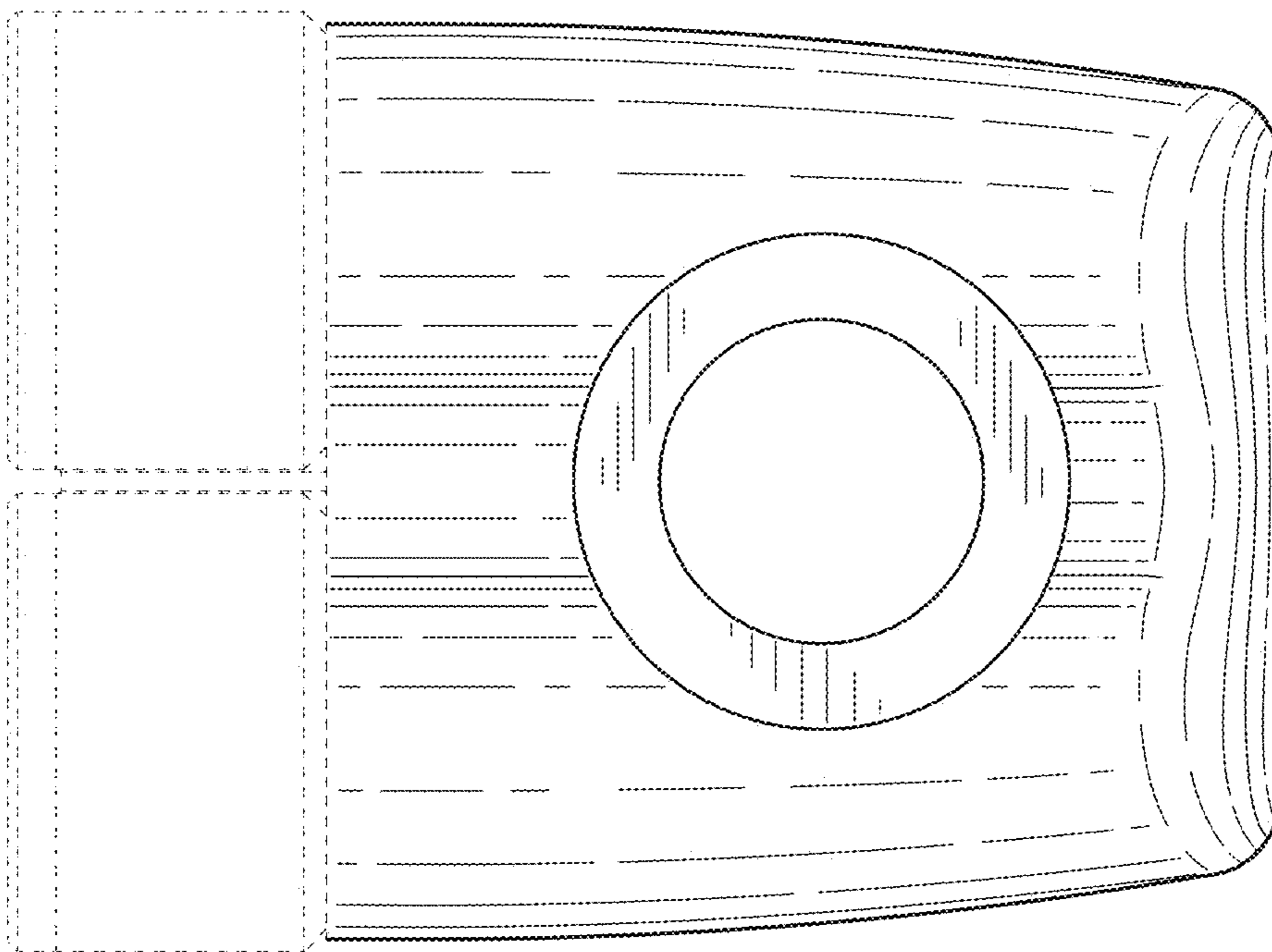


FIG. 6