



US00D910091S

(12) **United States Design Patent** (10) **Patent No.:** **US D910,091 S**
Berggruen et al. (45) **Date of Patent:** **** Feb. 9, 2021**

(54) **MACHINE ENCLOSURE**

(71) Applicant: **Tormach, Inc.**, Waunakee, WI (US)

(72) Inventors: **Matthew Chase Berggruen**, Madison, WI (US); **Nolan Brian Serink**, Waunakee, WI (US); **Reid Robert Halvorson**, Arena, WI (US)

(73) Assignee: **Tormach, Inc.**, Waunakee, WI (US)

(**) Term: **15 Years**

(21) Appl. No.: **29/662,714**

(22) Filed: **Sep. 7, 2018**

(51) **LOC (13) Cl.** **15-09**

(52) **U.S. Cl.**
USPC **D15/122**

(58) **Field of Classification Search**
USPC D15/122–143
CPC B23K 26/38; B23K 26/087
See application file for complete search history.

(56) **References Cited**

U.S. PATENT DOCUMENTS

D559,871 S *	1/2008	Kittaka	D15/122
D567,263 S *	4/2008	Sugihara	D15/122
D620,508 S *	7/2010	Jacquet	D15/122
D627,375 S *	11/2010	Jacquet	D15/122
D635,595 S *	4/2011	Hiroshima	D15/122
D667,032 S *	9/2012	Egami	D15/122
D680,563 S *	4/2013	Yang	D15/122
D690,331 S *	9/2013	Kitamura	D15/122
D690,744 S *	10/2013	Koide	D15/122
D693,859 S *	11/2013	Kitamura	D15/122
D716,351 S *	10/2014	Kitamura	D15/122
D759,736 S *	6/2016	Huang	D15/122
D759,737 S *	6/2016	Gramlich	D15/122
D778,329 S *	2/2017	Grobe	D15/122
D797,822 S *	9/2017	Grobe	D15/122
D858,590 S *	9/2019	Kazaoka	D15/122

(Continued)

Primary Examiner — Patricia A Palasik

(74) *Attorney, Agent, or Firm* — Andrus Intellectual Property Law, LLP

(57) **CLAIM**

The ornamental design for a machine enclosure, as shown and described.

DESCRIPTION

FIG. 1 is a front top perspective view of a first embodiment of a machine enclosure according to our new and ornamental design;

FIG. 2 is a rear top perspective view thereof;

FIG. 3 is a front elevation view thereof;

FIG. 4 is a rear elevation view thereof;

FIG. 5 is a left side elevation view thereof;

FIG. 6 is a right side elevation view thereof;

FIG. 7 is a top plan view thereof;

FIG. 8 is a bottom plan view thereof;

FIG. 9 is a bottom perspective view thereof;

FIG. 10 is a front top perspective view of a second embodiment of a machine enclosure according to our new and ornamental design;

FIG. 11 is a rear top perspective view thereof;

FIG. 12 is a front elevation view thereof;

FIG. 13 is a rear elevation view thereof;

FIG. 14 is a left side elevation view thereof;

FIG. 15 is a right side elevation view thereof;

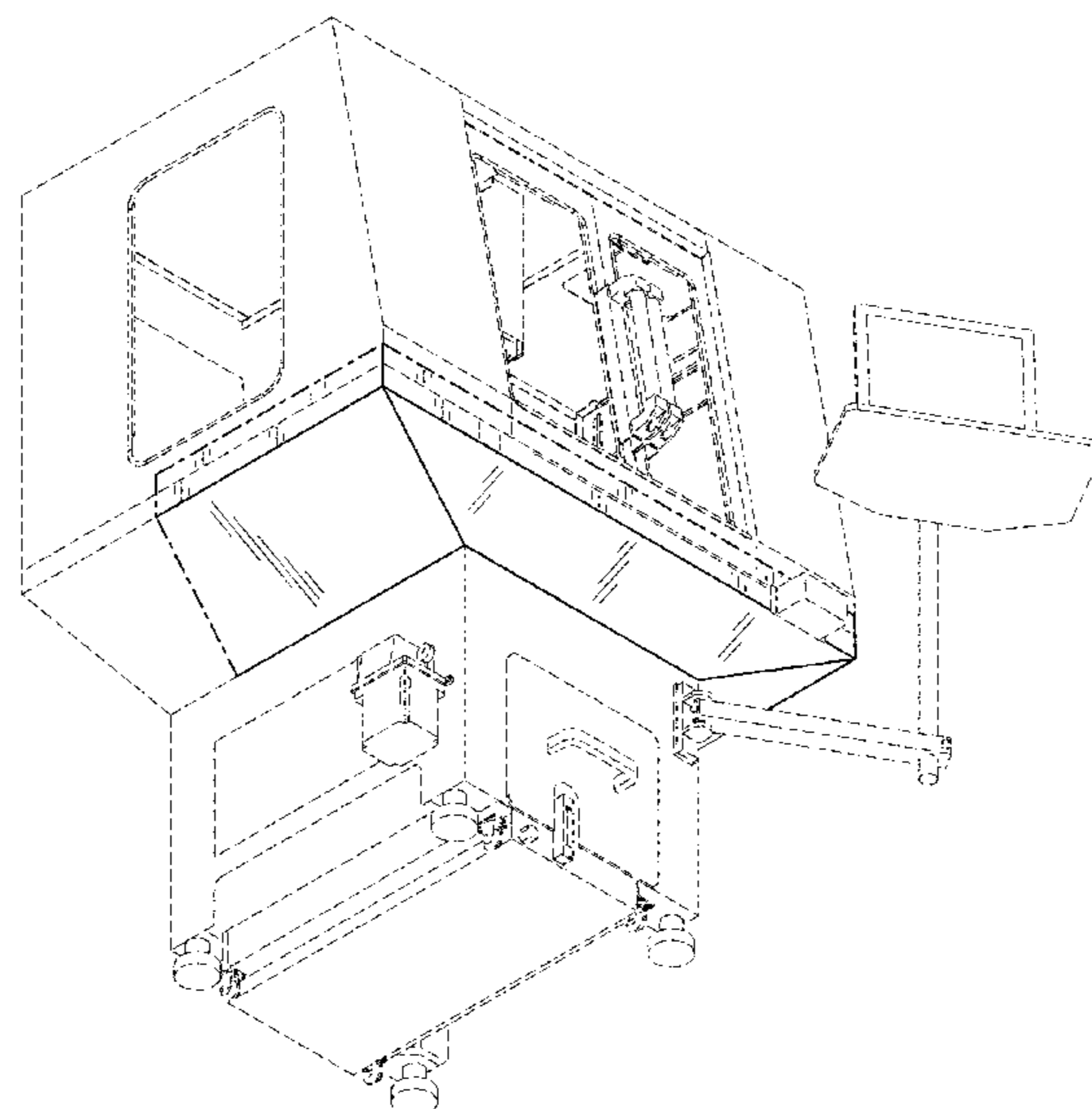
FIG. 16 is a top plan view thereof;

FIG. 17 is a bottom plan view thereof; and,

FIG. 18 is a bottom perspective view thereof.

The evenly-spaced broken lines in the Figures illustrate portions of the machine enclosure that form no part of the claimed design. The dash-dot broken lines in the Figures between the solid line portions and the evenly-spaced broken line portions of the machine enclosure represent the boundaries of the claimed design and form no part of the claimed design.

1 Claim, 18 Drawing Sheets



(56)

References Cited

U.S. PATENT DOCUMENTS

D873,314 S * 1/2020 Gauthier D15/122
D873,873 S * 1/2020 Sollberger D15/122
2017/0087682 A1* 3/2017 Leonhard B23Q 37/005

* cited by examiner

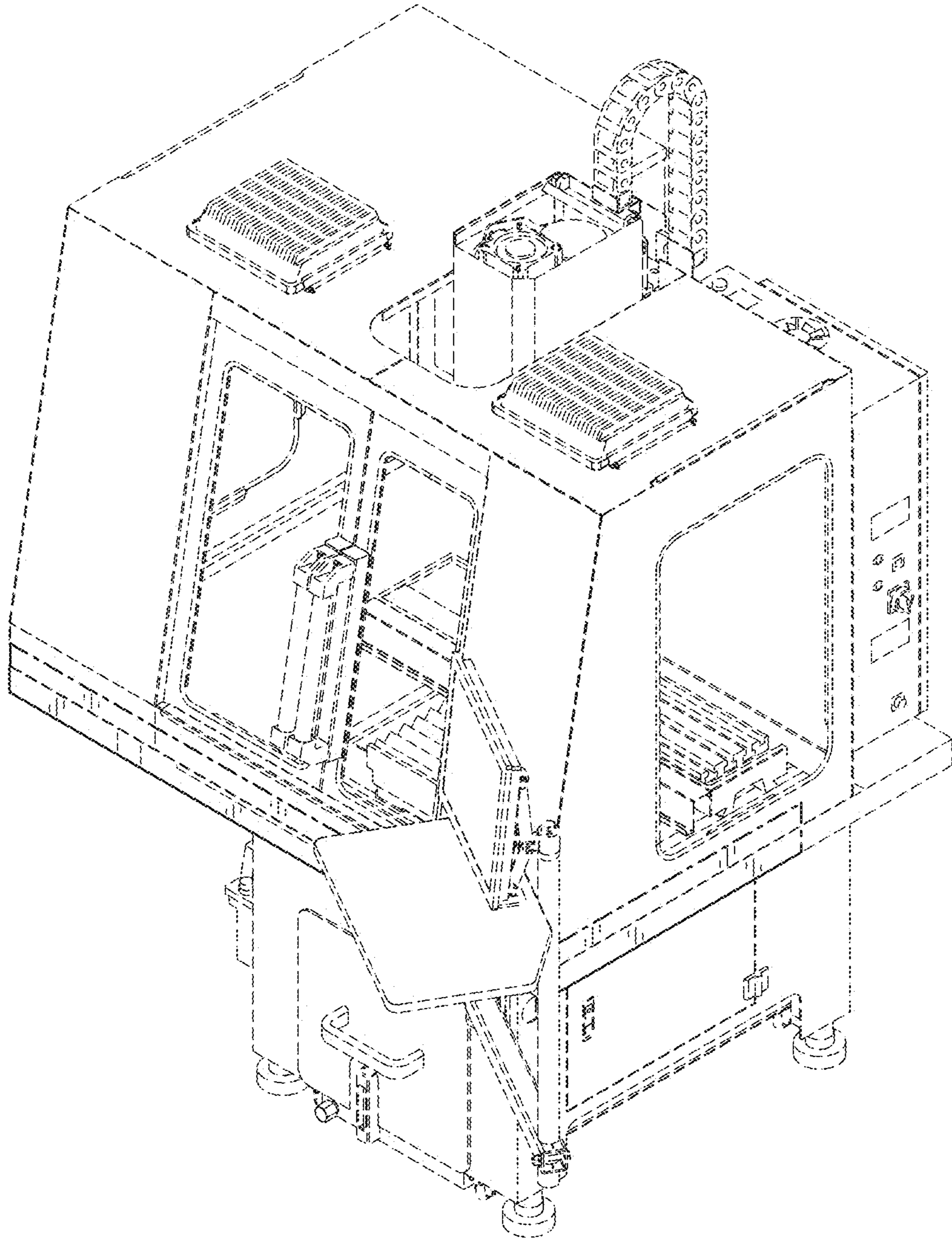


FIG. 1

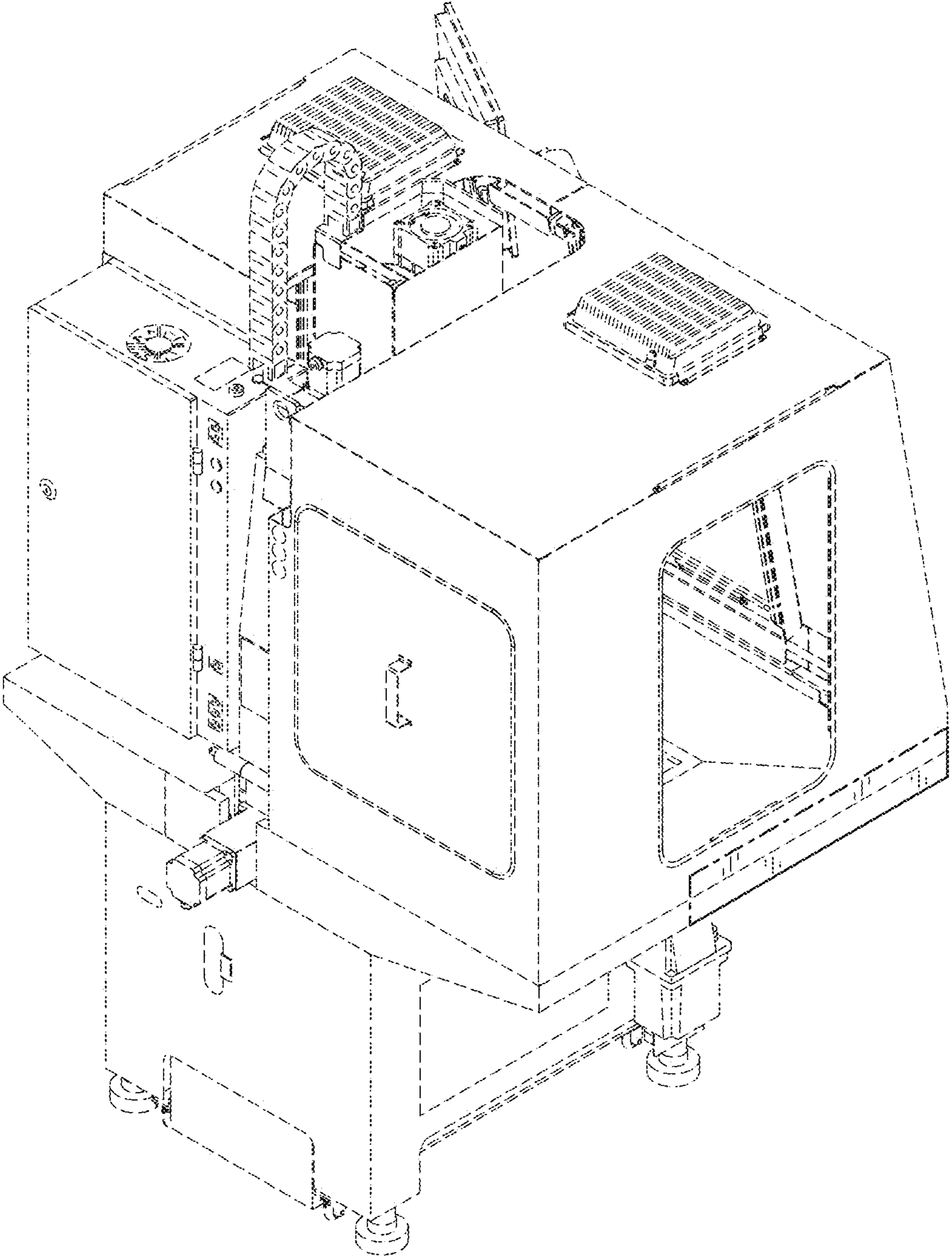


FIG. 2

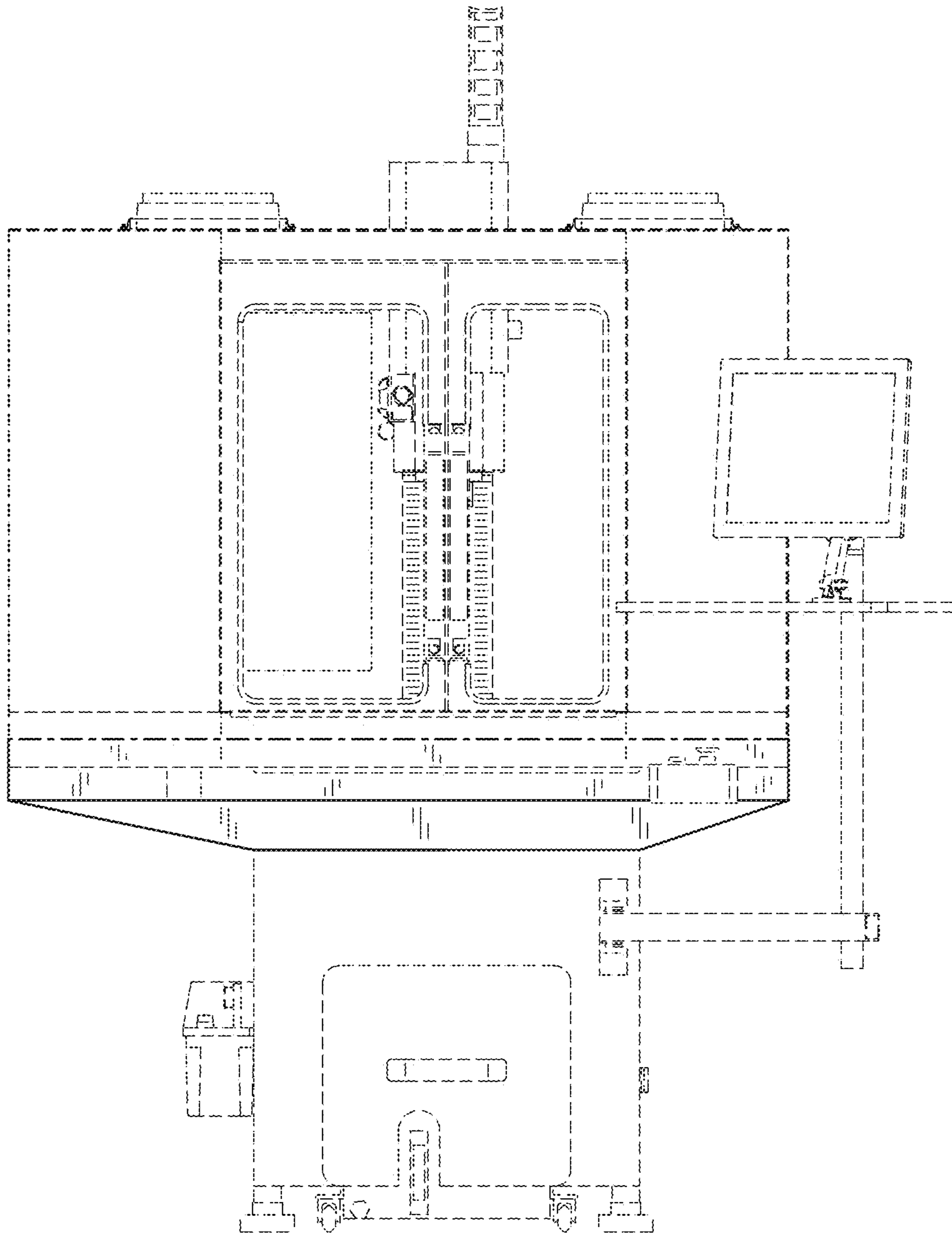


FIG. 3

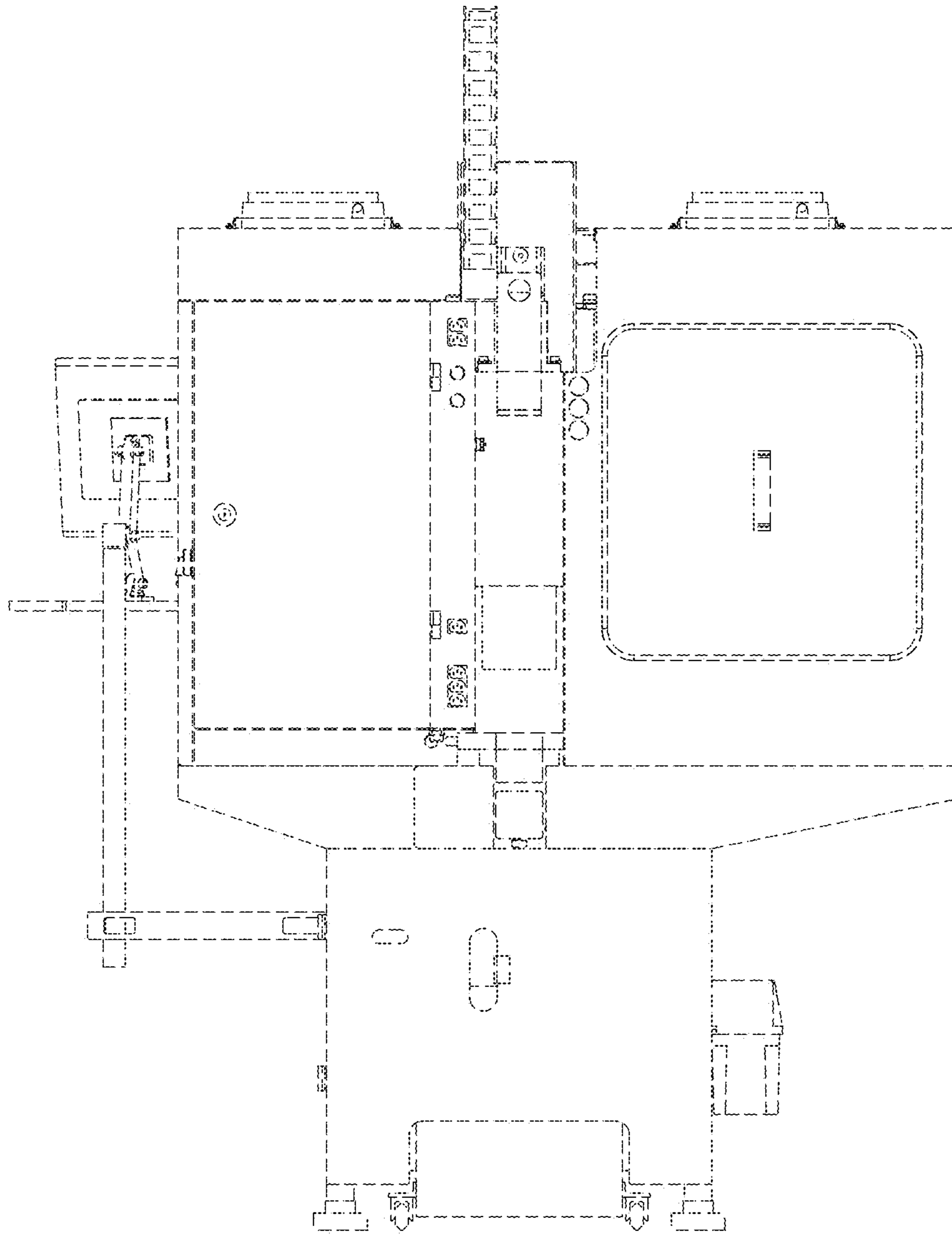


FIG. 4

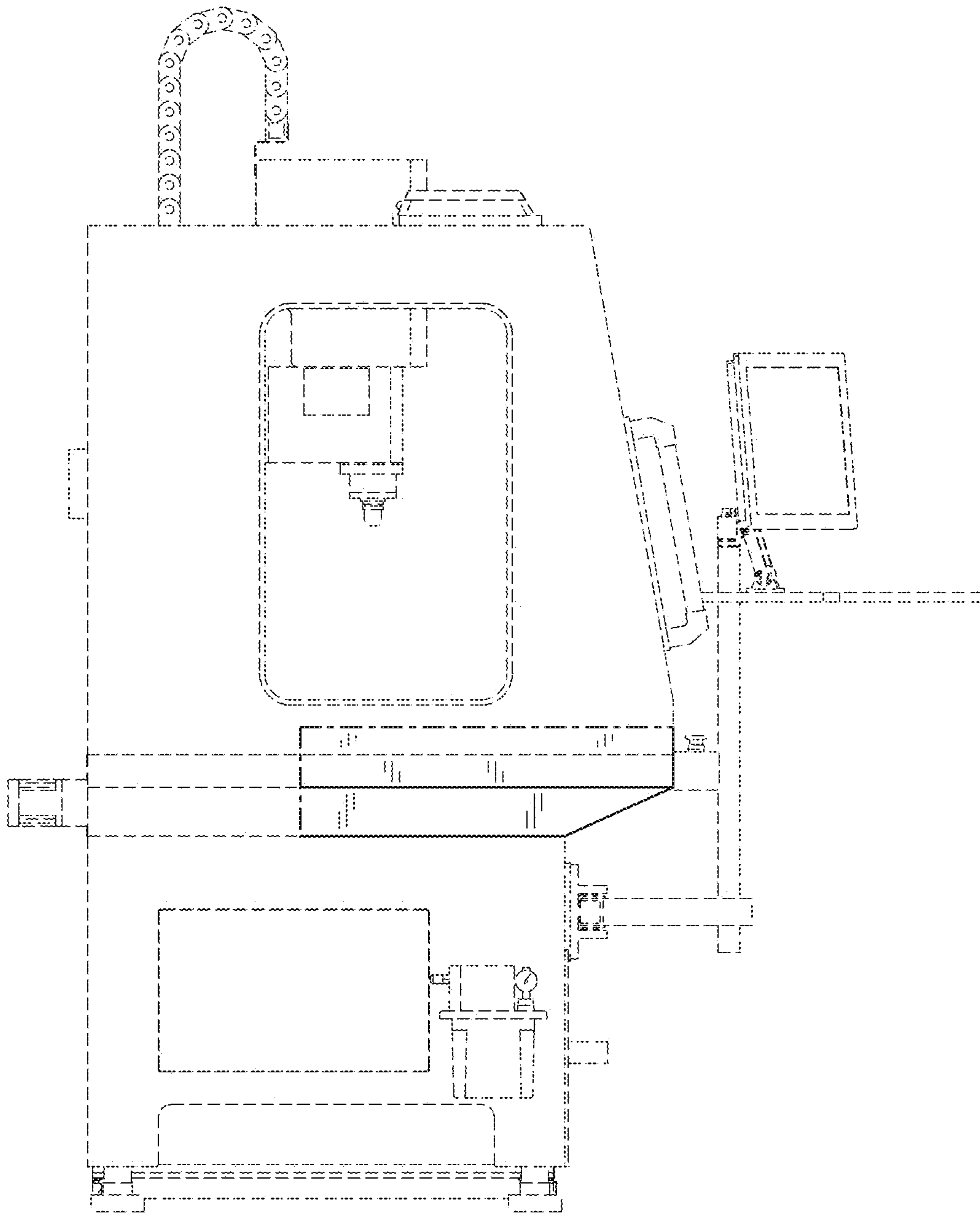


FIG. 5

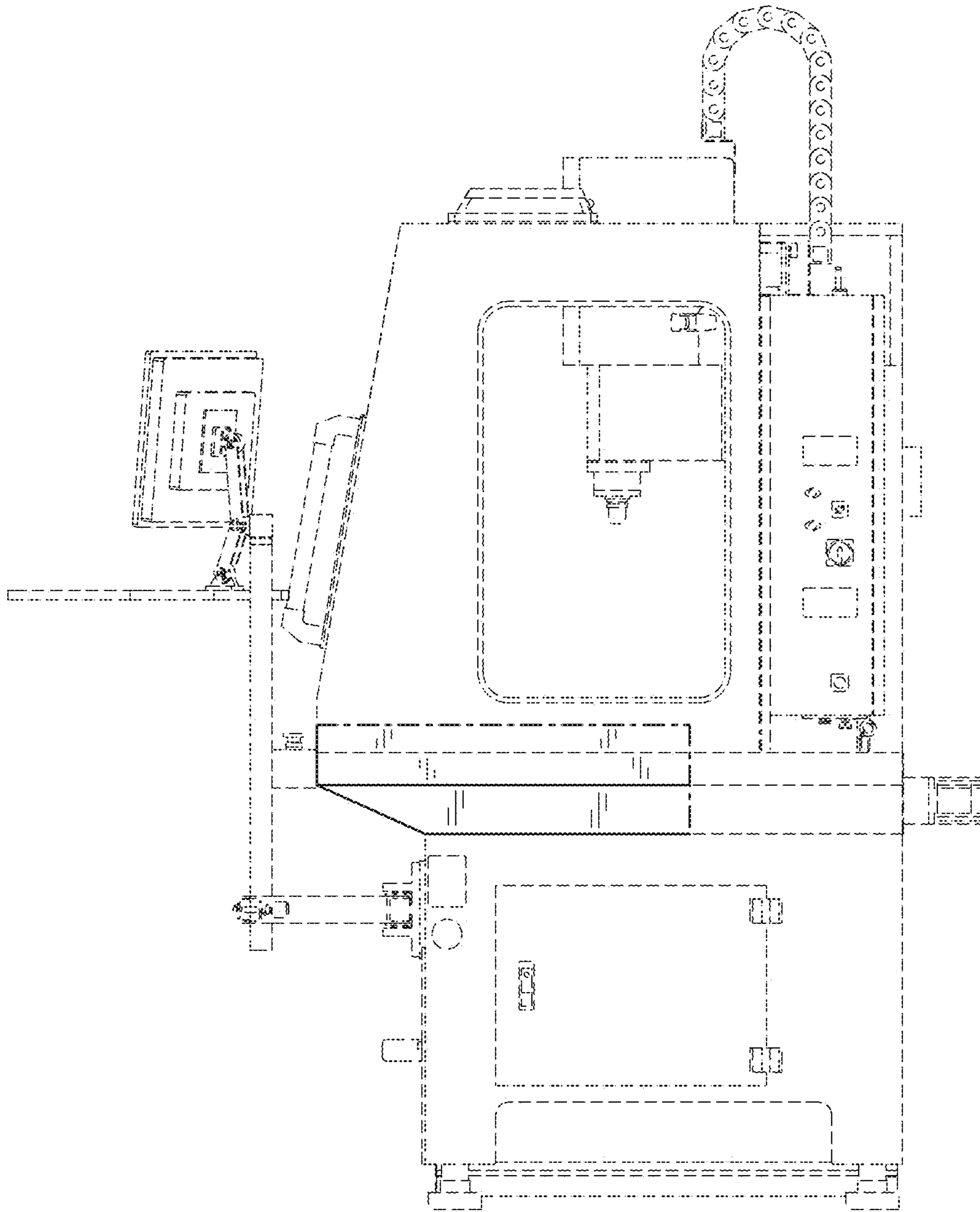


FIG. 6

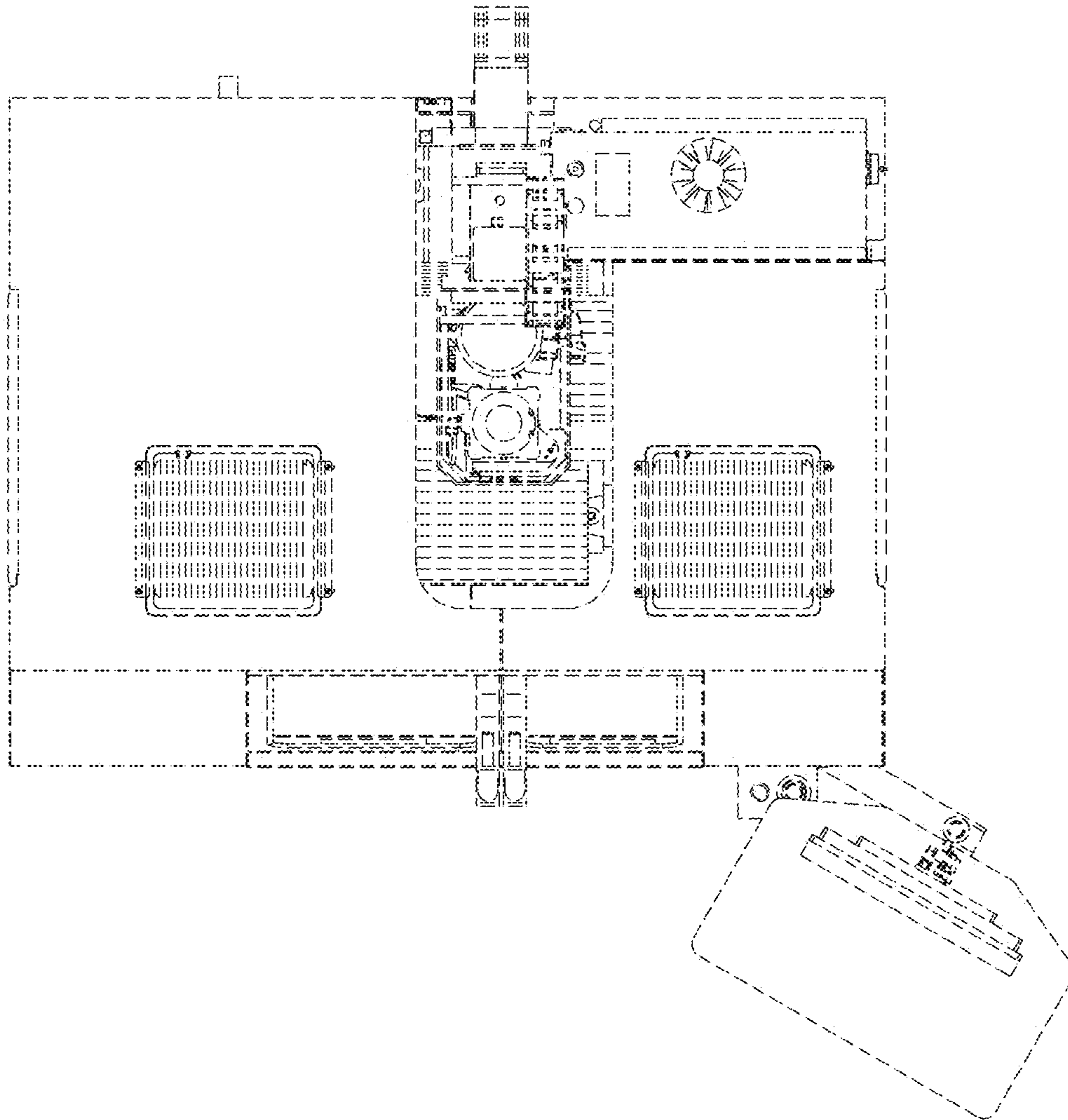


FIG. 7

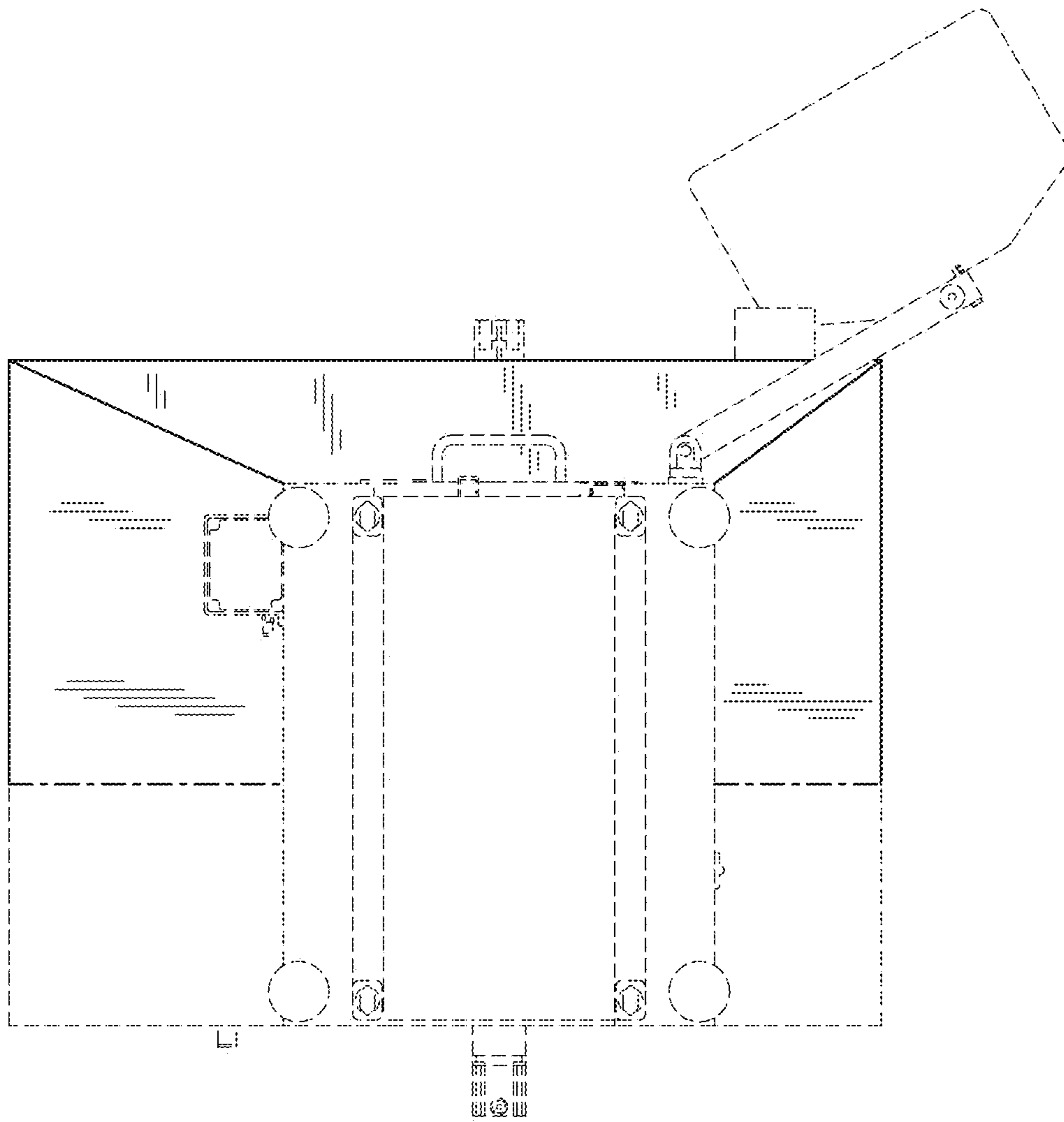


FIG. 8

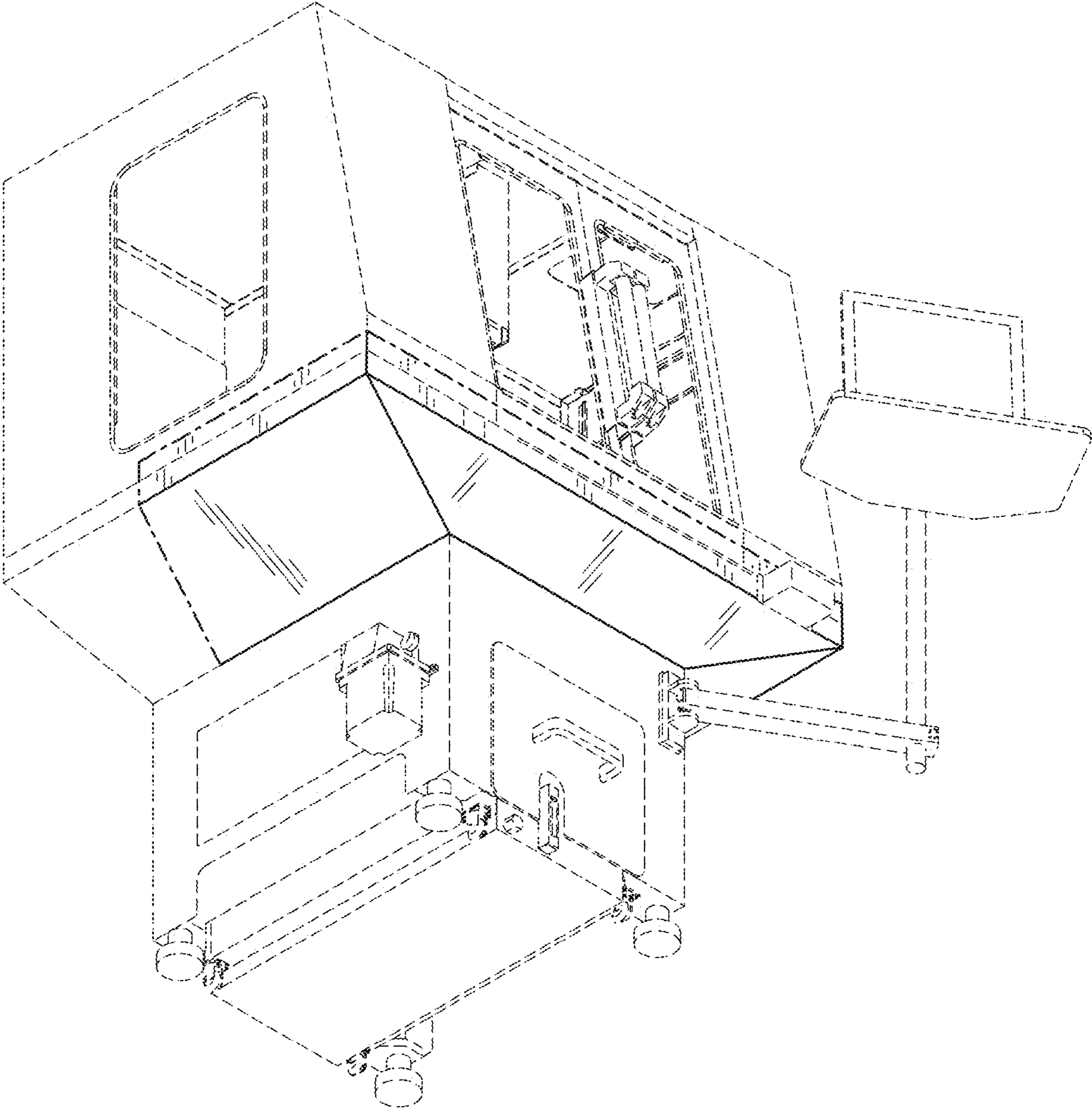


FIG. 9

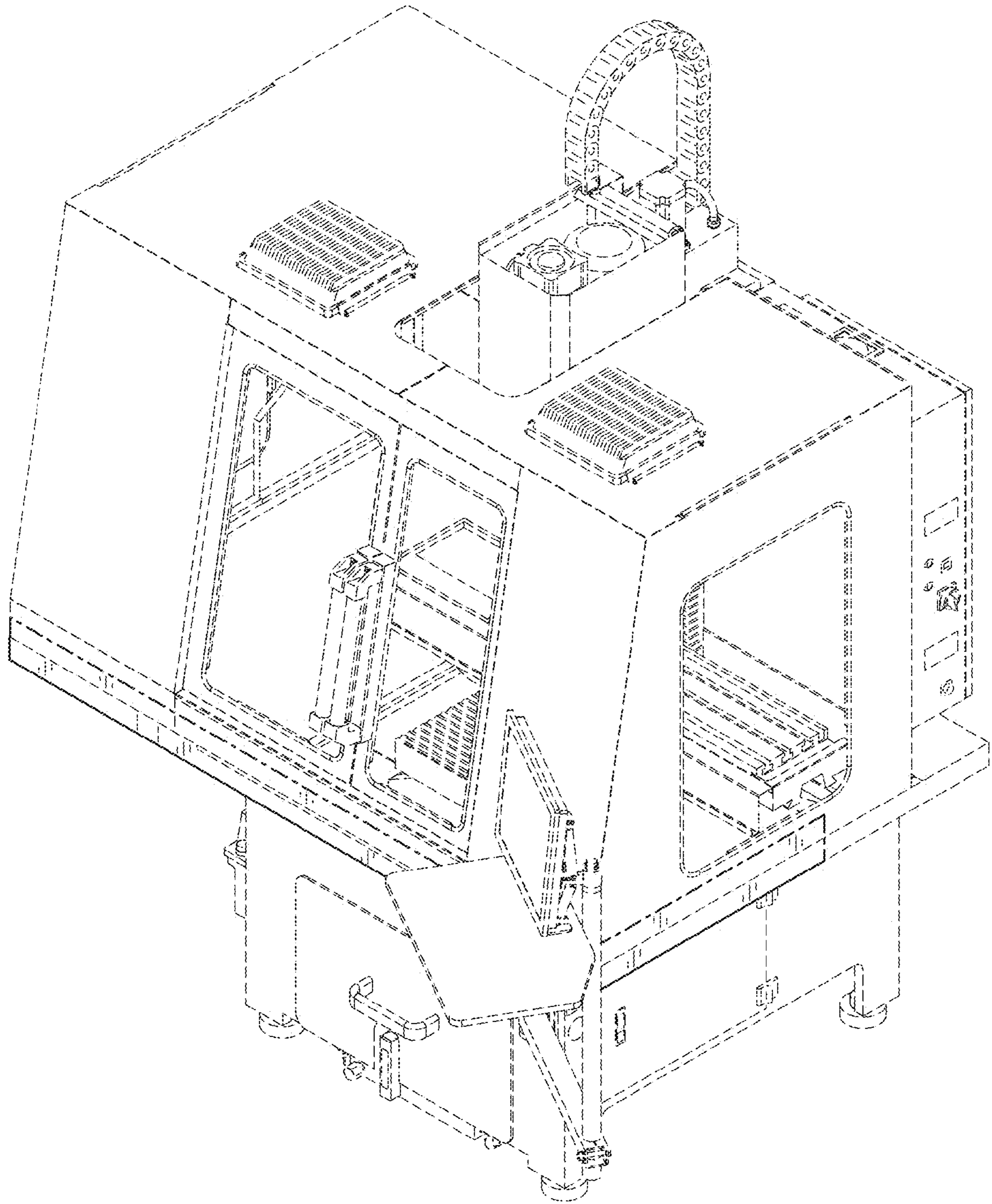


FIG. 10

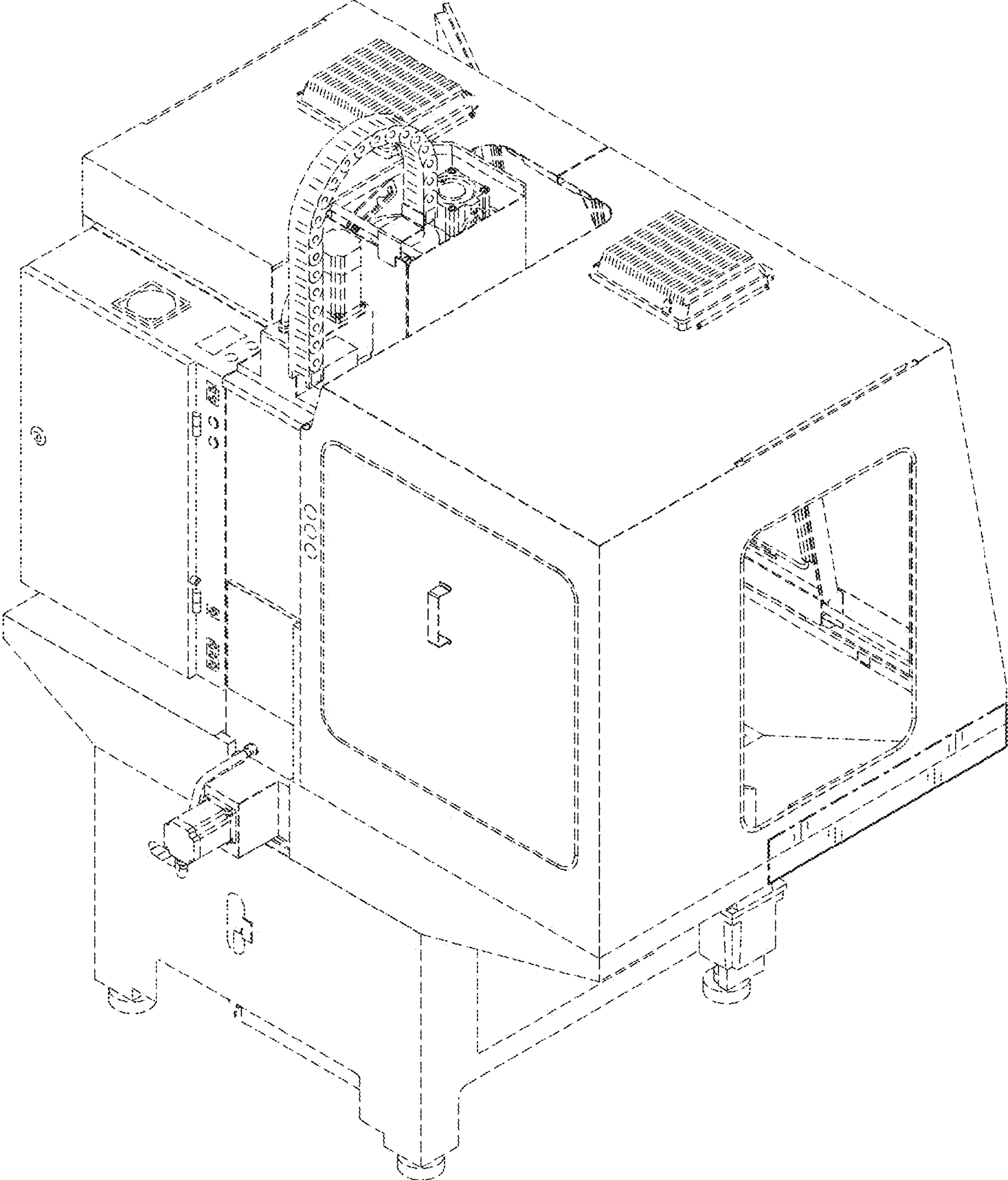


FIG. 11

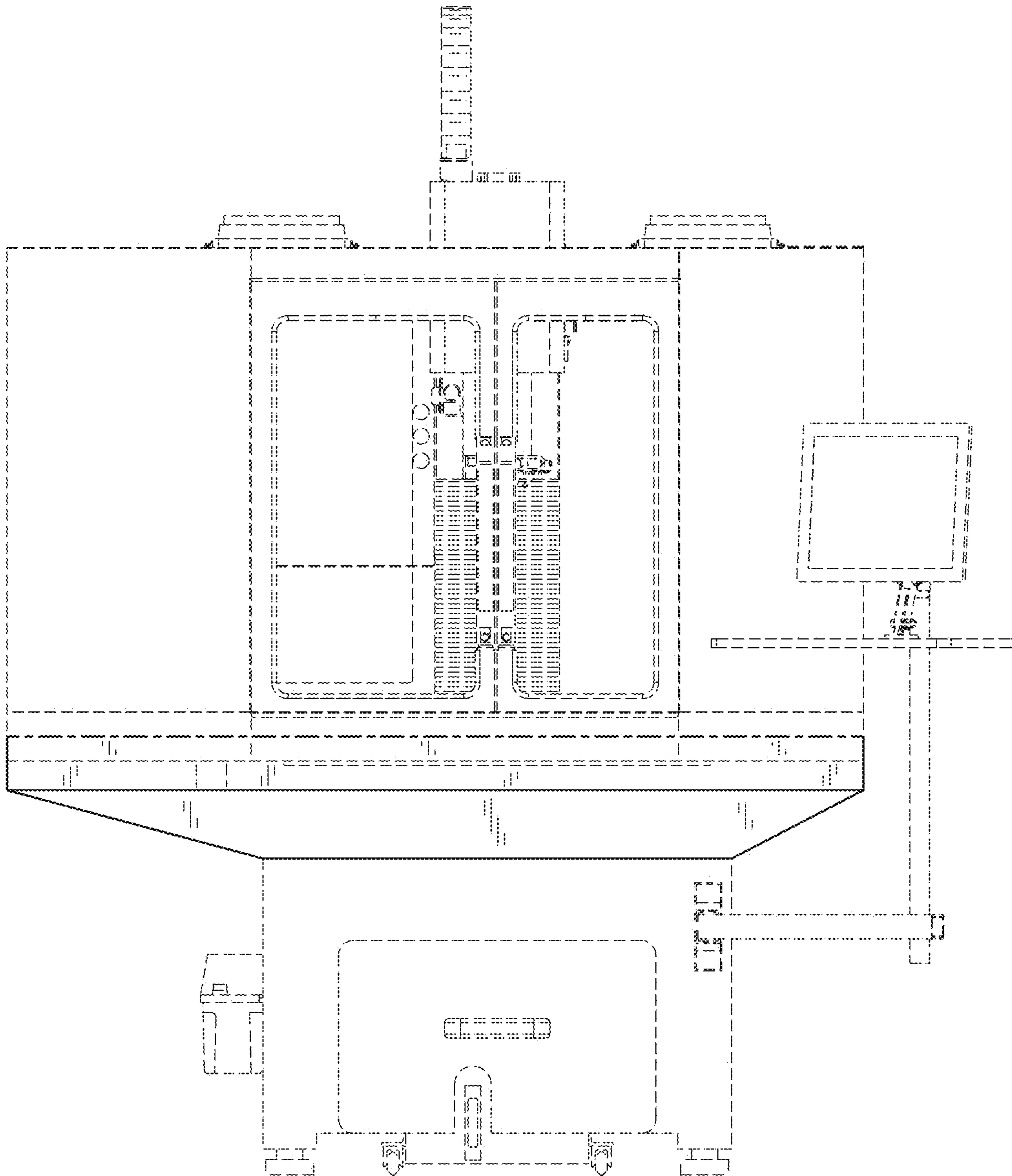


FIG. 12

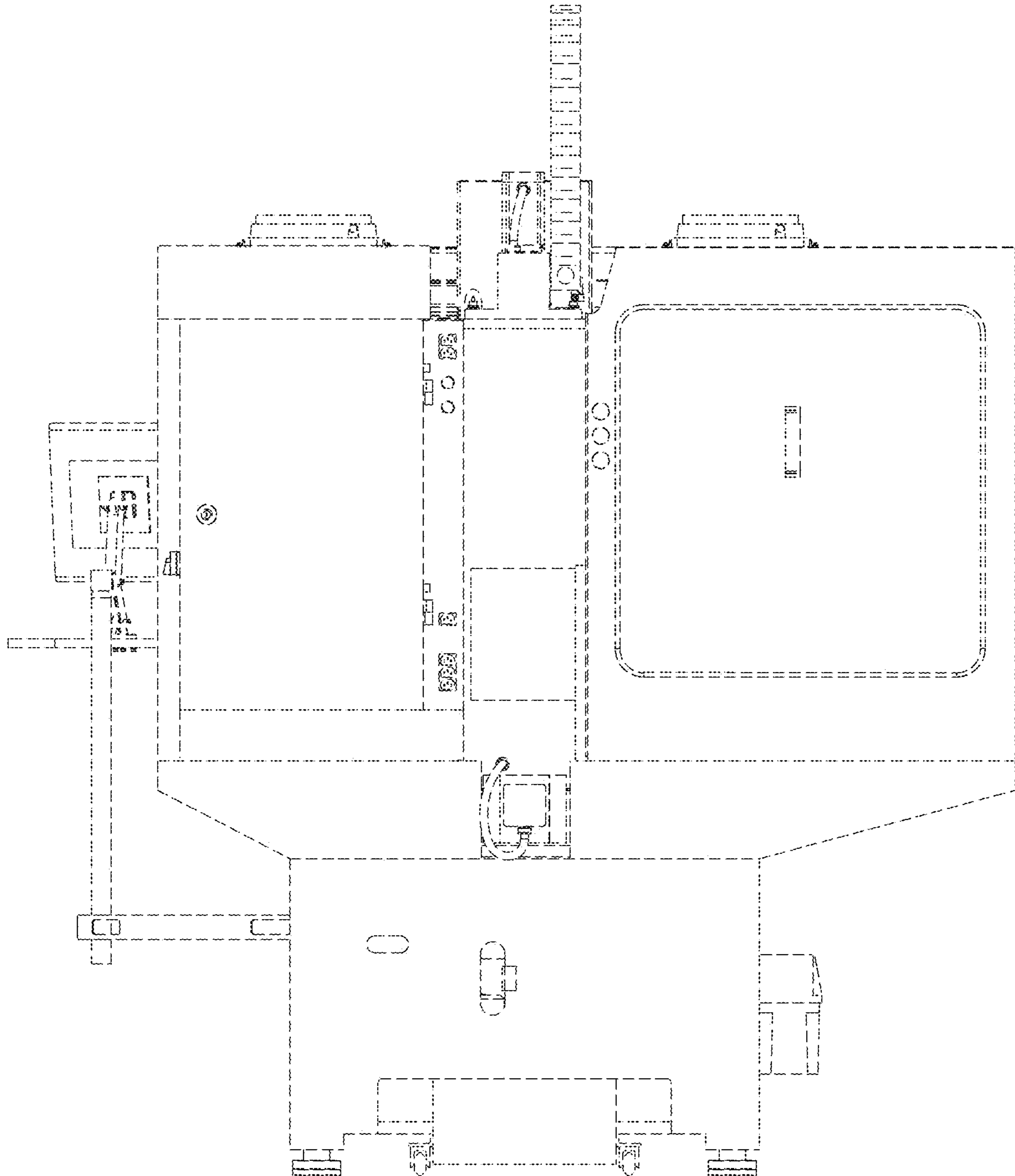


FIG. 13

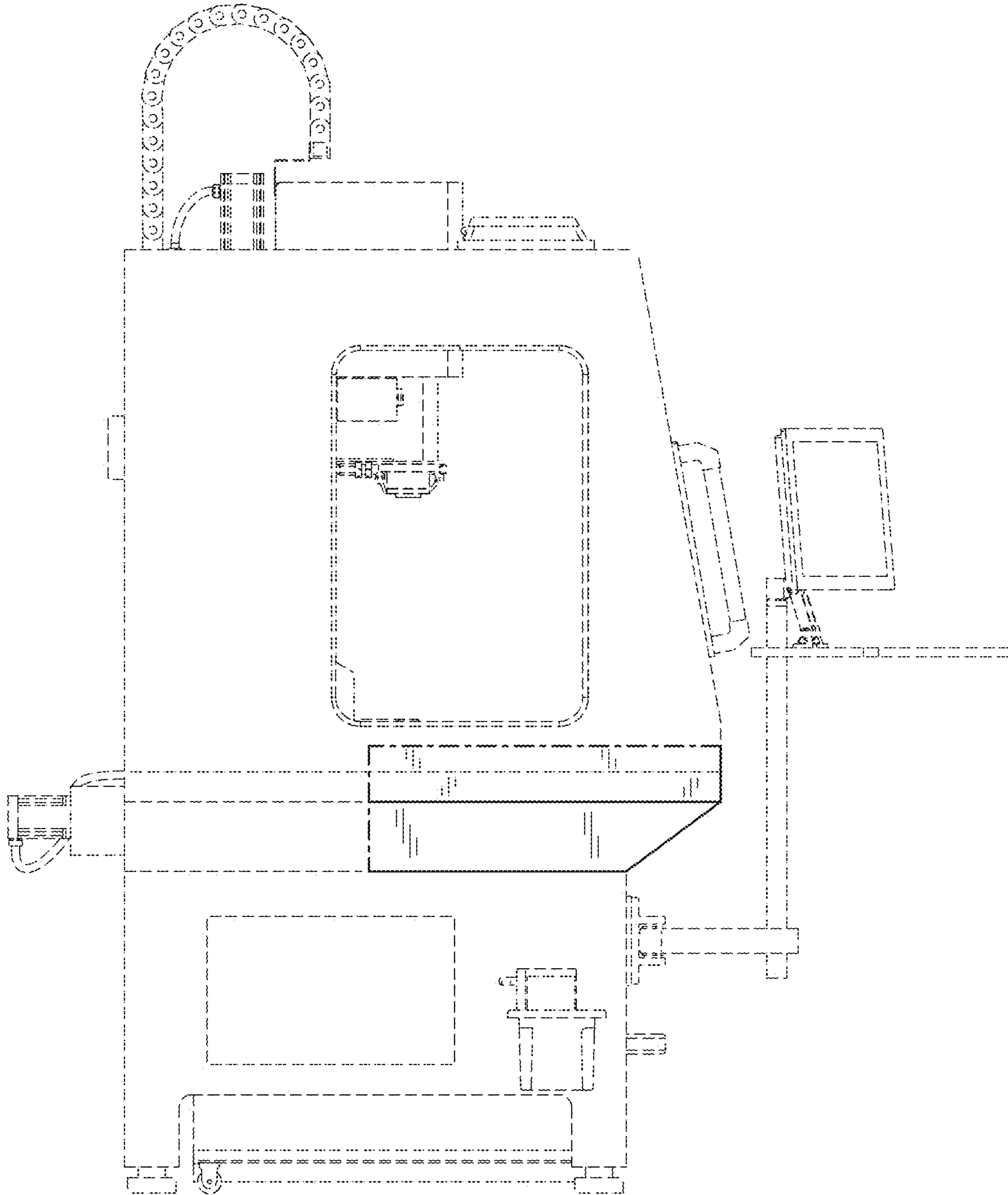


FIG. 14

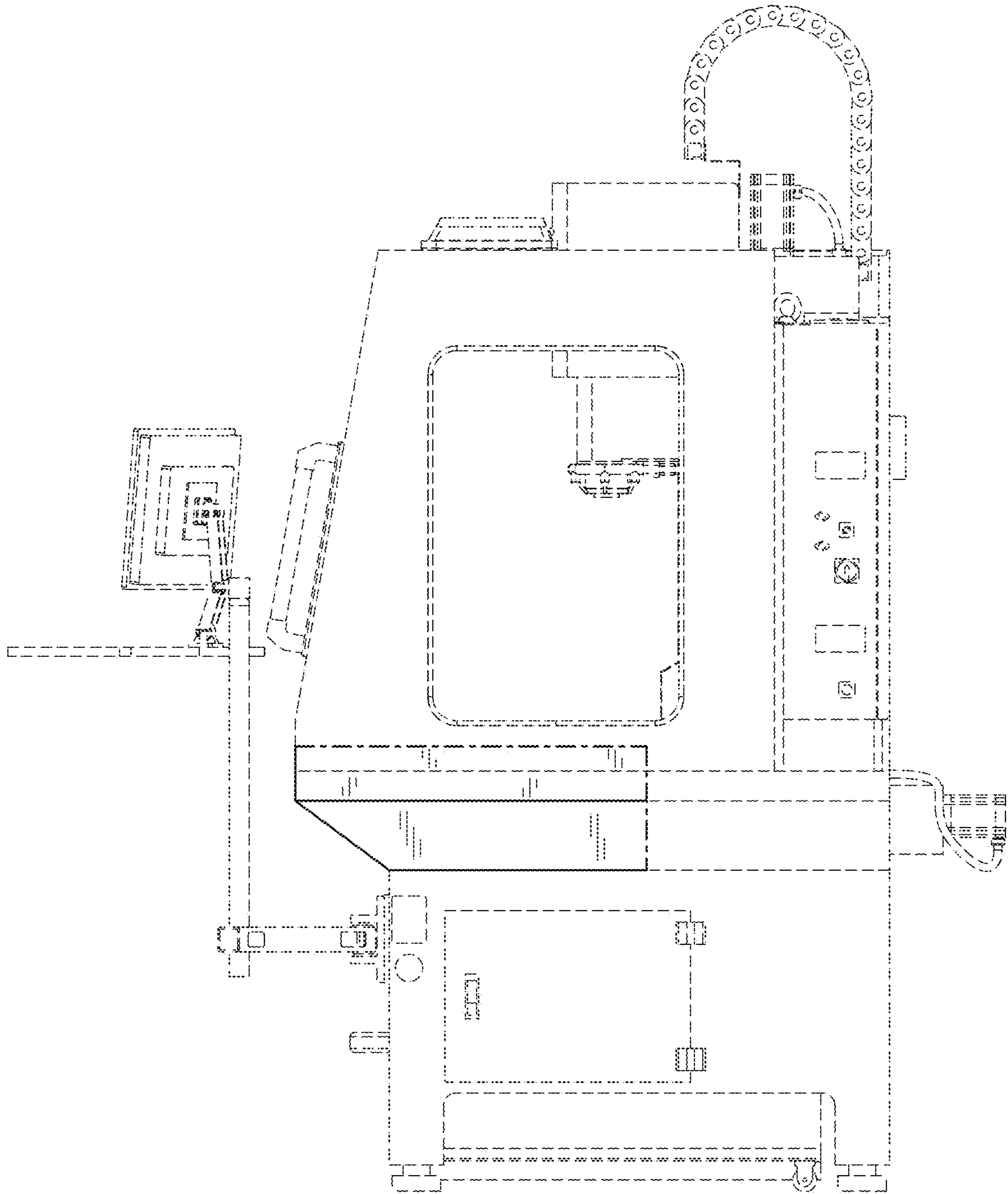


FIG. 15

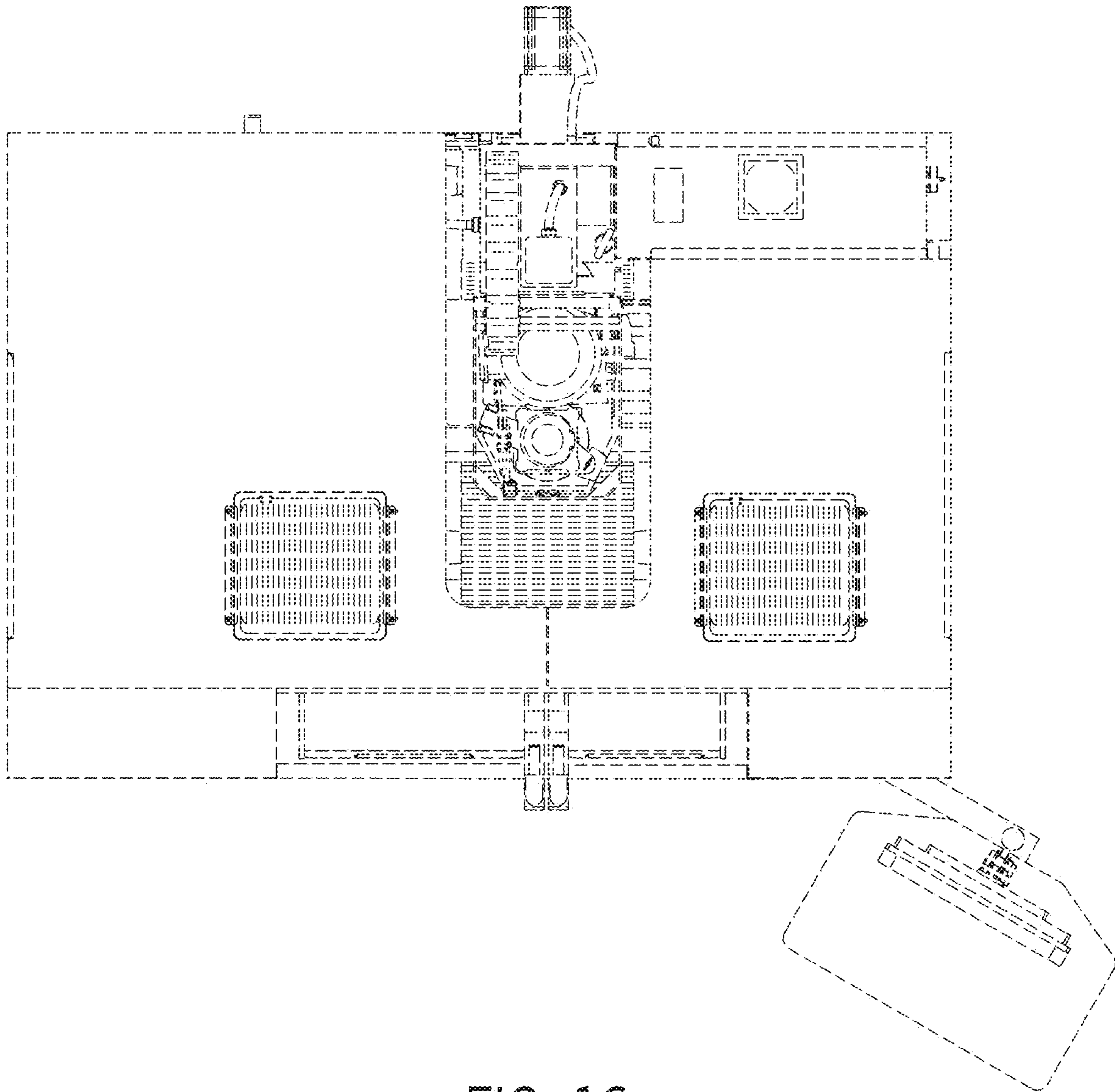


FIG. 16

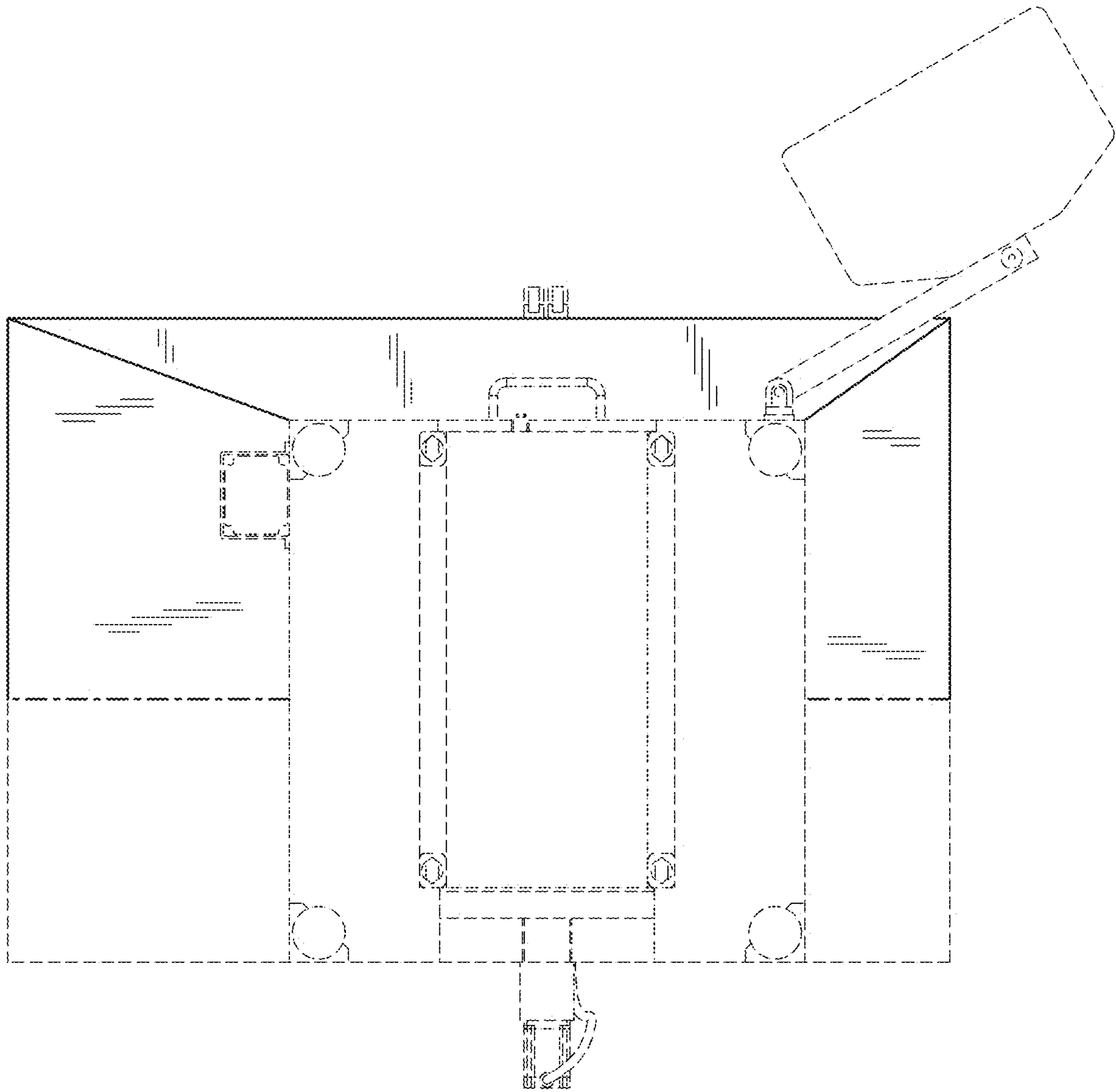


FIG. 17

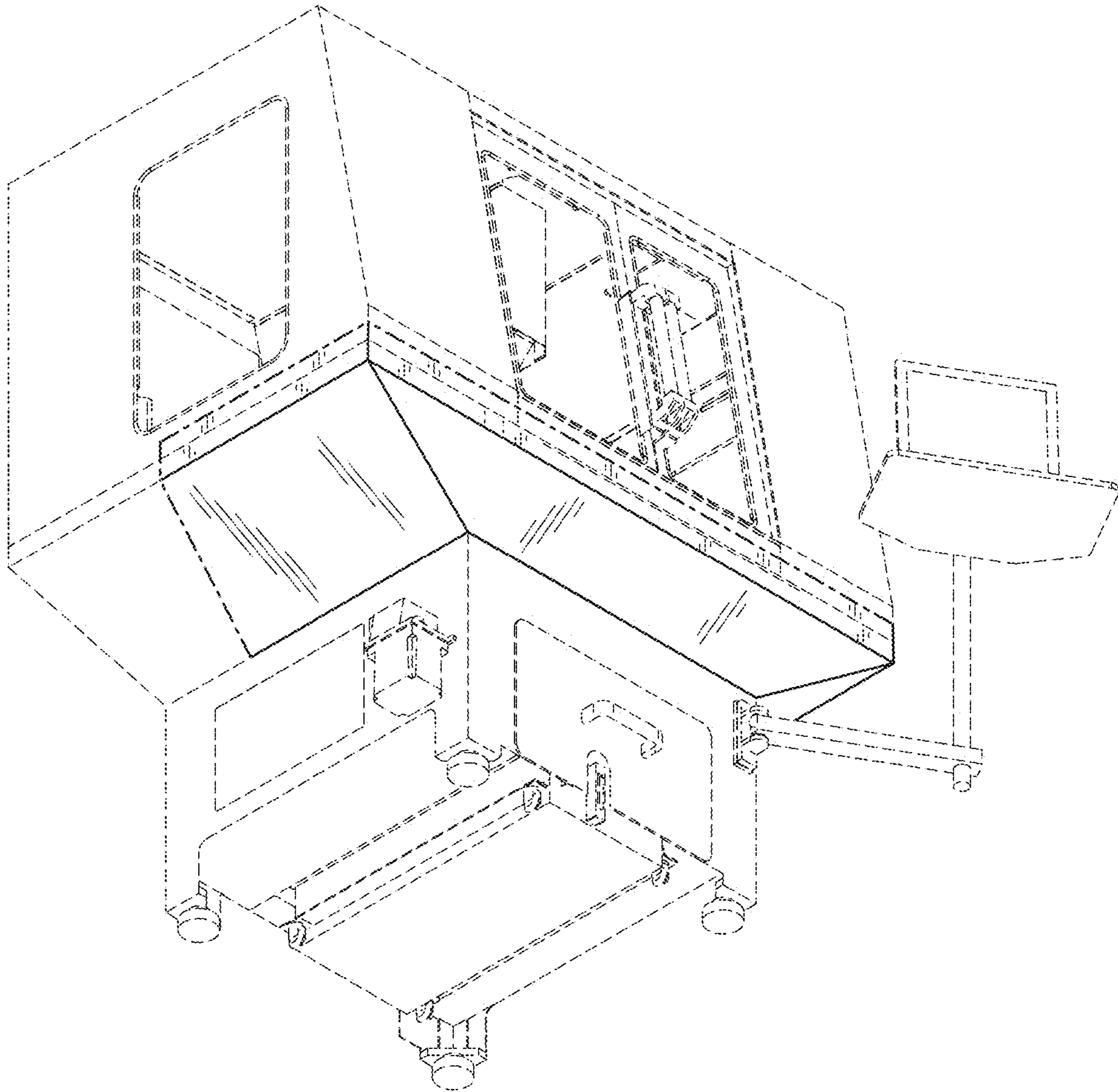


FIG. 18