

US00D910090S

(12) **United States Design Patent**  
**Chen**

(10) **Patent No.:** **US D910,090 S**

(45) **Date of Patent:** **\*\* Feb. 9, 2021**

(54) **ICE CUBE TRAY**

(71) Applicant: **Wenfu Chen**, Jiangxi (CN)

(72) Inventor: **Wenfu Chen**, Jiangxi (CN)

(\*\*) Term: **15 Years**

(21) Appl. No.: **29/690,220**

(22) Filed: **May 7, 2019**

(51) **LOC (13) Cl.** ..... **15-07**

(52) **U.S. Cl.**  
USPC ..... **D15/90**

(58) **Field of Classification Search**  
USPC ..... D15/79-91  
CPC .. F25C 5/002; F25C 5/005; F25C 5/12; F25C  
1/04; F25C 2500/02; F25C 2500/08;  
F25C 2700/02; F25C 5/02; F25C 5/046;  
F25C 5/187

See application file for complete search history.

(56) **References Cited**

**U.S. PATENT DOCUMENTS**

D342,264 S \* 12/1993 Pittman ..... D15/90  
D352,045 S \* 11/1994 Daenen ..... D15/90

D444,480 S \* 7/2001 Shultz, Jr. .... D15/90  
D586,830 S \* 2/2009 de Groote ..... D15/90  
D636,412 S \* 4/2011 Misse ..... D15/90  
D706,316 S \* 6/2014 Hoyord ..... D15/90  
D764,552 S \* 8/2016 Traub ..... D15/90  
D787,568 S \* 5/2017 Davies ..... D15/90  
D857,766 S \* 8/2019 Tseng ..... D15/90  
D880,542 S \* 4/2020 Burns ..... D15/90

\* cited by examiner

*Primary Examiner* — Khawaja Anwar

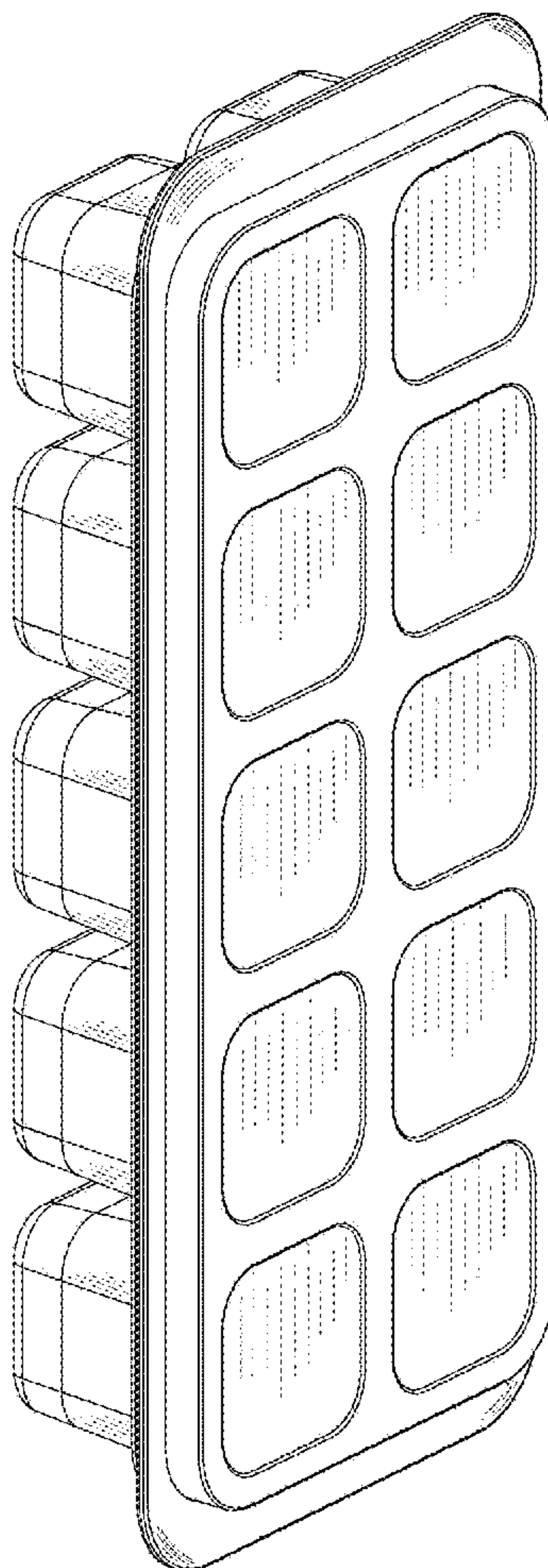
(57) **CLAIM**

I claim the ornamental design for the ice cube tray, as shown and described.

**DESCRIPTION**

FIG. 1 is a perspective view of an ice cube tray showing my new design;  
FIG. 2 is a front elevational view thereof;  
FIG. 3 is a rear elevational view thereof;  
FIG. 4 is a left side elevational view thereof;  
FIG. 5 is a right side elevational view thereof;  
FIG. 6 is a top plan view thereof;  
FIG. 7 is a bottom plan view thereof; and,  
FIG. 8 is a rear, left perspective view thereof.

**1 Claim, 8 Drawing Sheets**



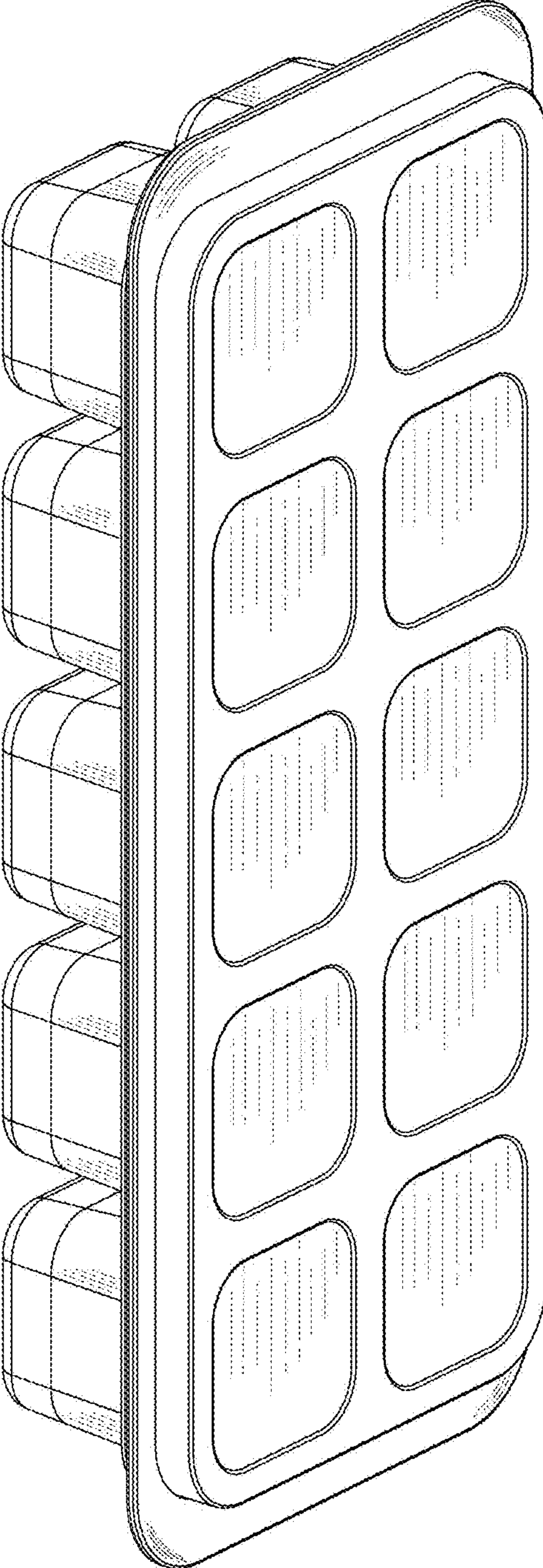


FIG. 1

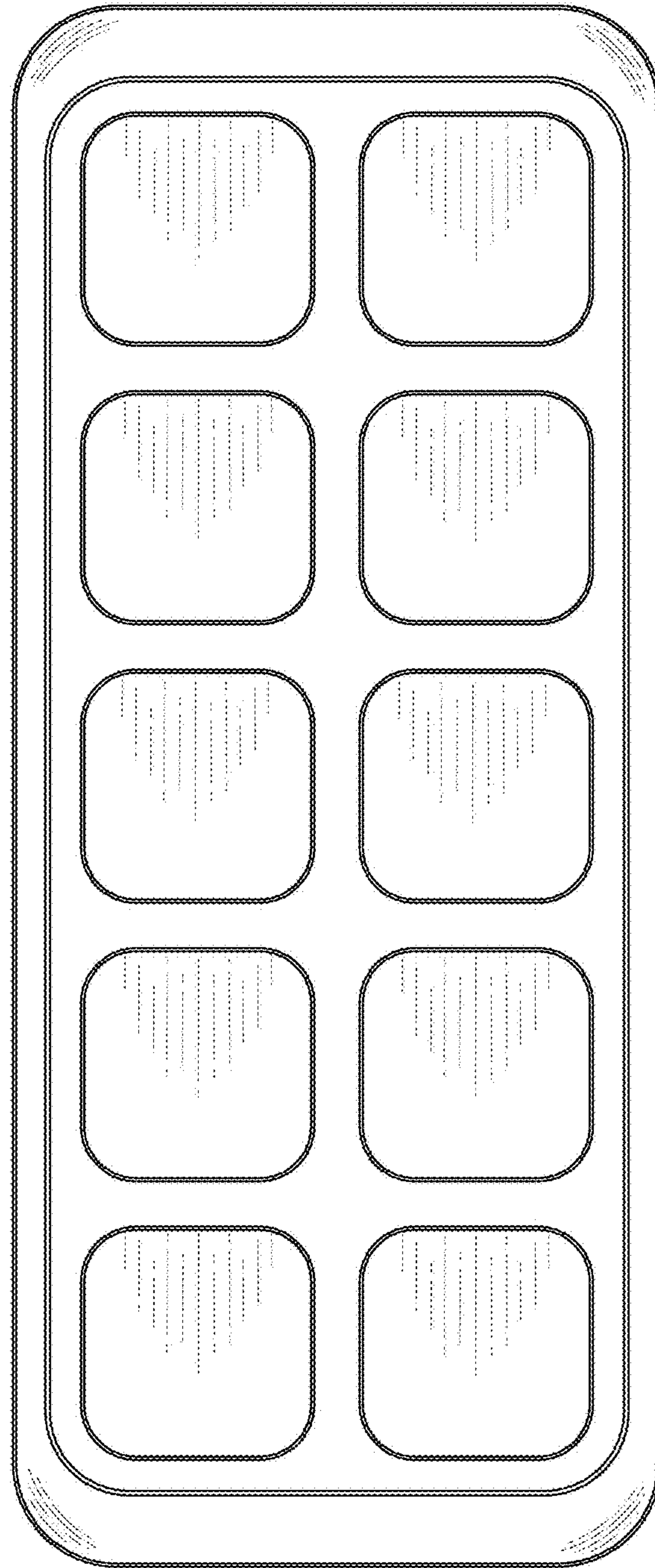


FIG. 2



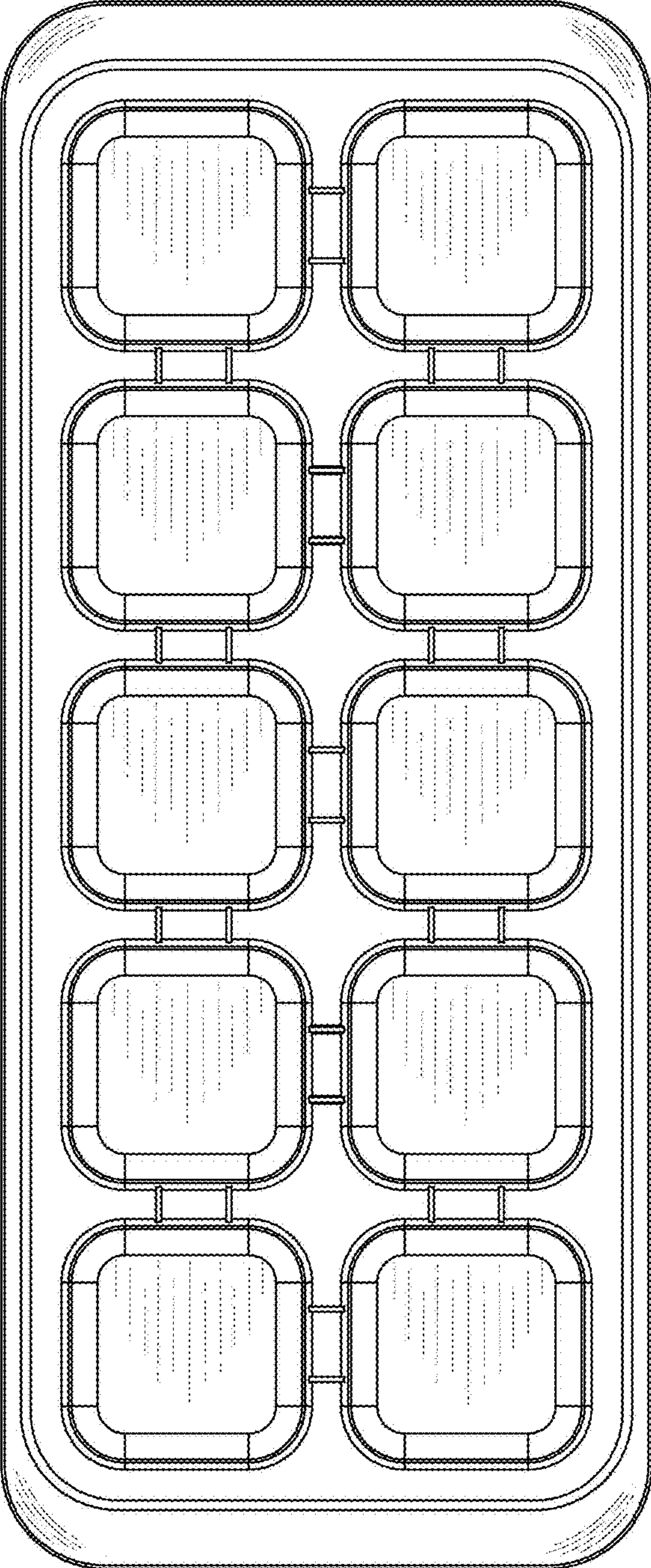


FIG. 3

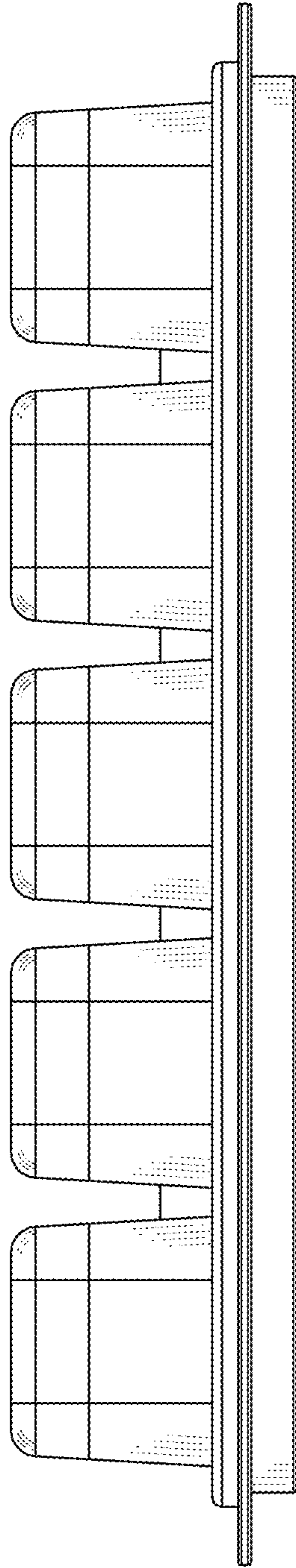


FIG. 4

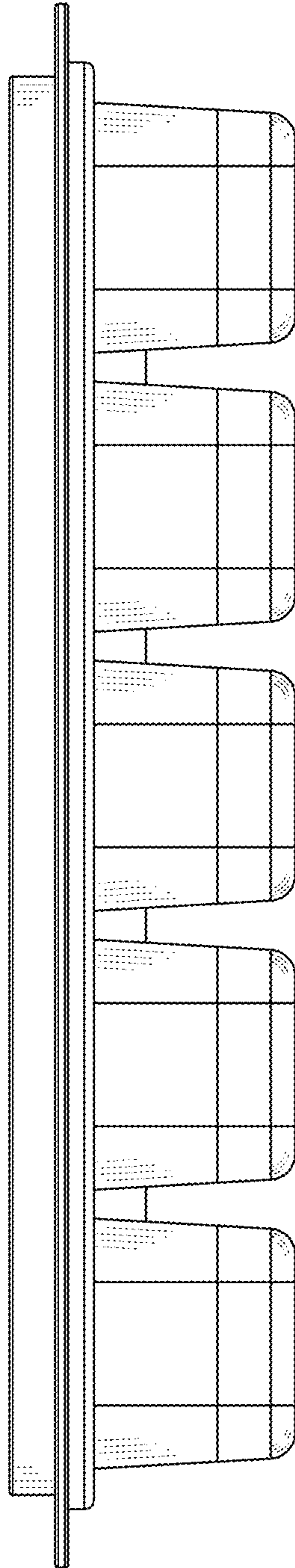


FIG. 5

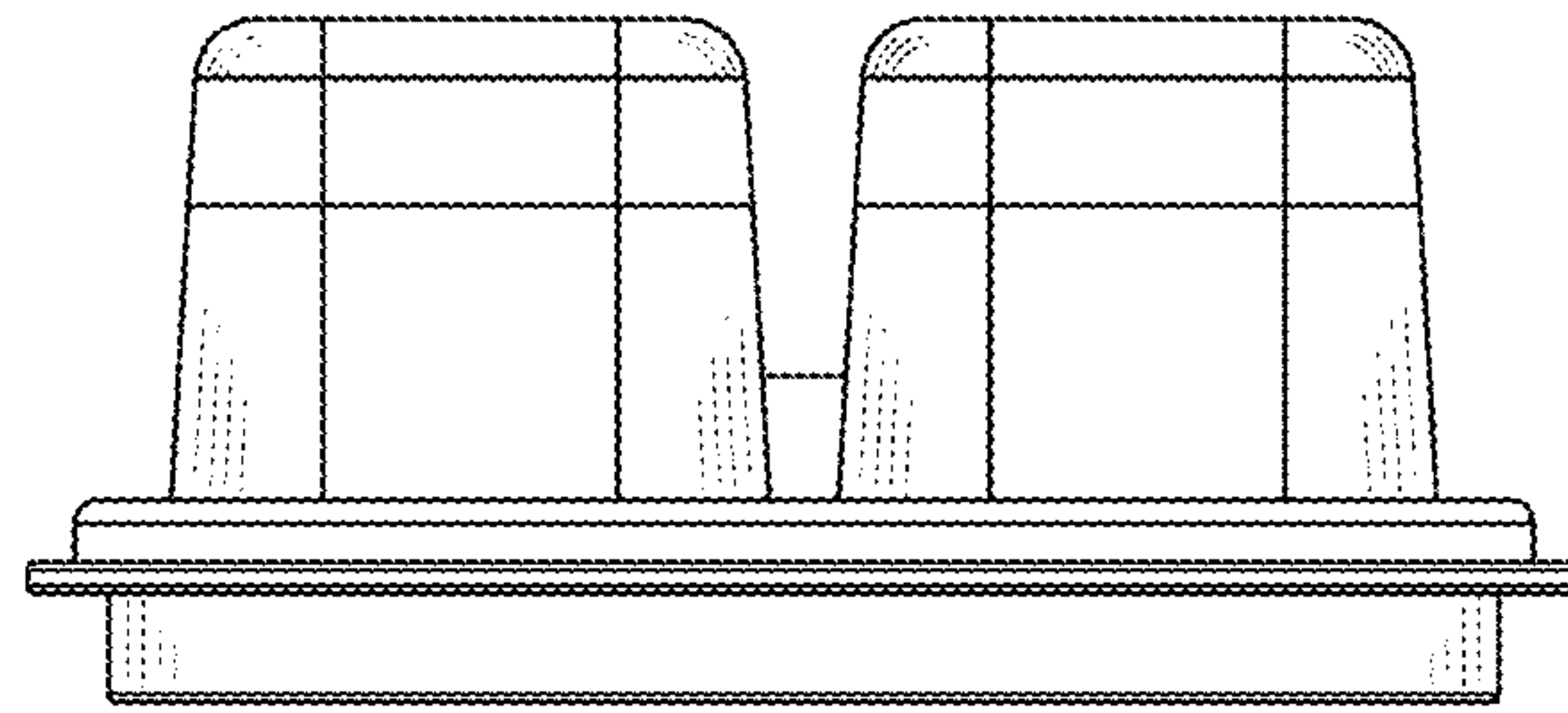


FIG. 6

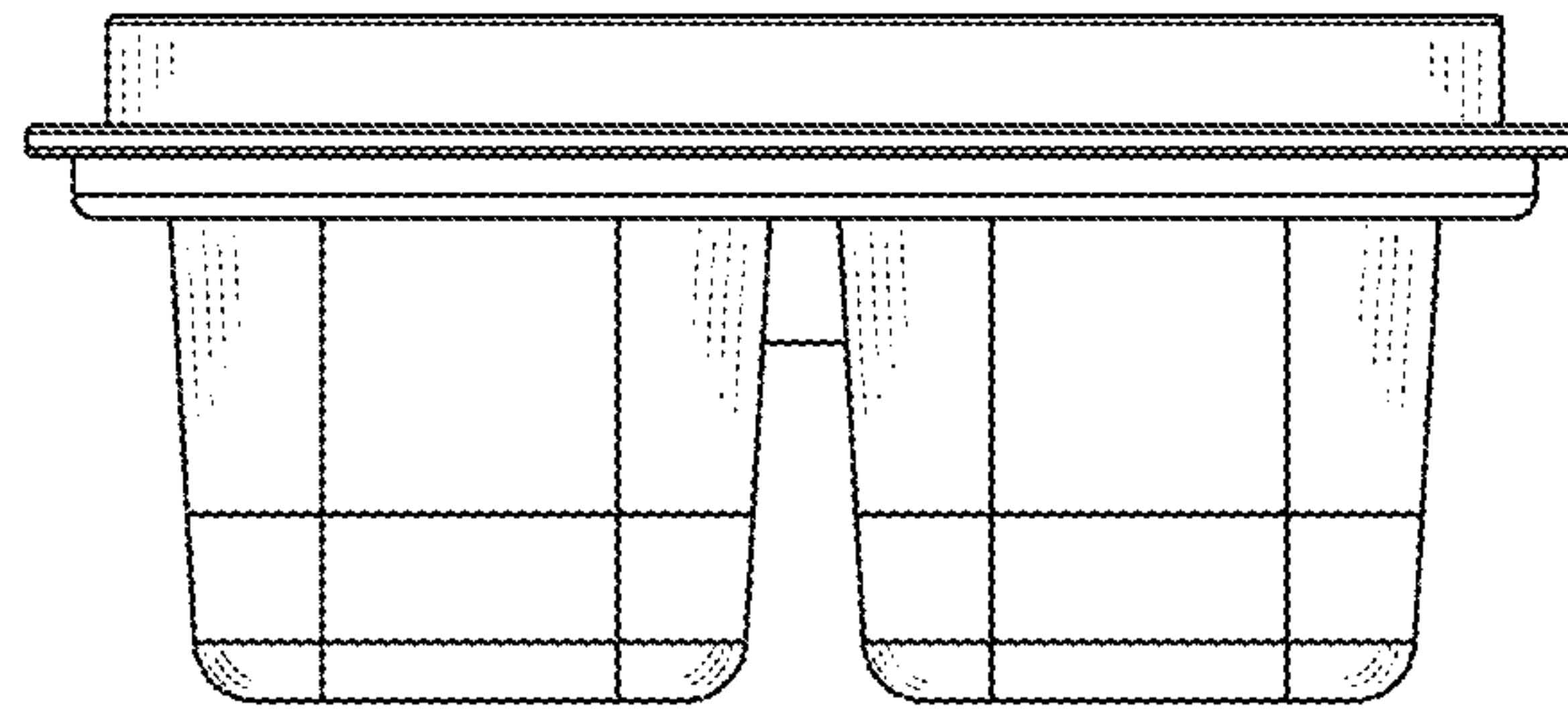


FIG. 7



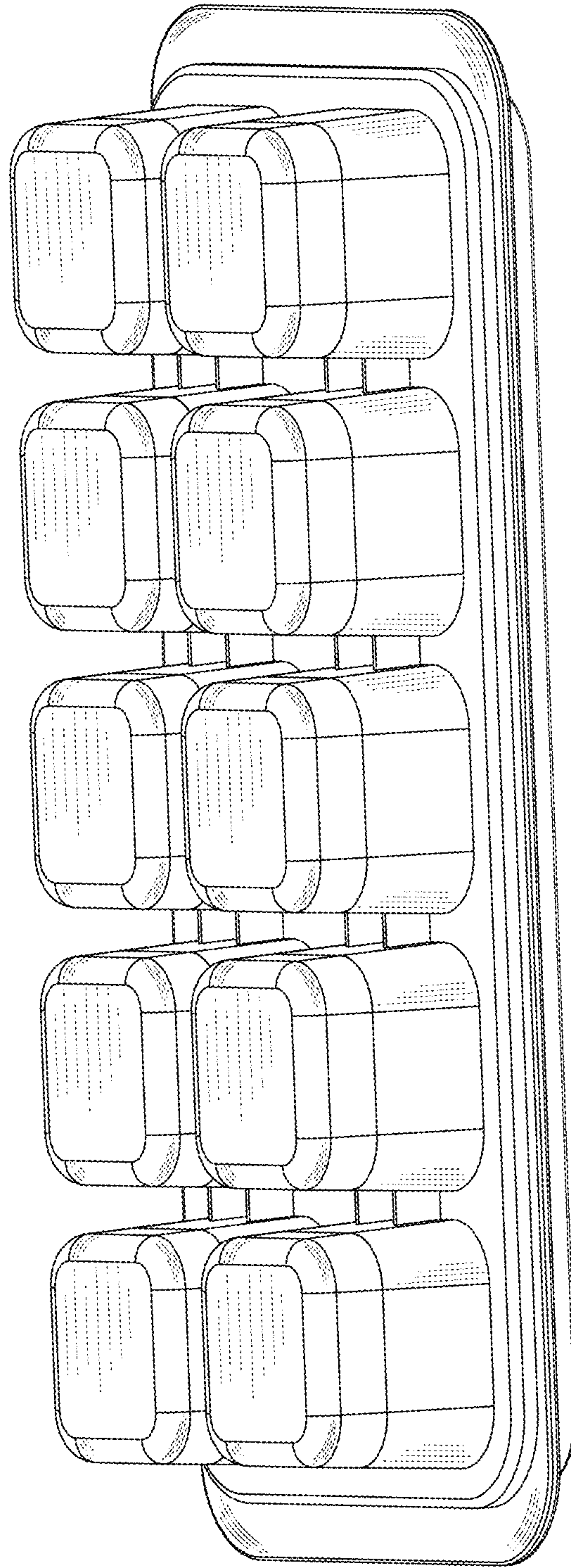


FIG. 8