



US00D910089S

(12) **United States Design Patent** (10) **Patent No.:** **US D910,089 S**
Hynes (45) **Date of Patent:** **** Feb. 9, 2021**

(54) **INTERIOR RACK OF AN APPLIANCE WITH BACKLIT FEATURE**

(71) Applicant: **Vinotemp International Corporation**, Irvine, CA (US)

(72) Inventor: **India Hynes**, Laguna Beach, CA (US)

(73) Assignee: **VINOTEMP INTERNATIONAL CORPORATION**, Irvine, CA (US)

(**) Term: **15 Years**

(21) Appl. No.: **29/658,293**

(22) Filed: **Jul. 30, 2018**

Related U.S. Application Data

(62) Division of application No. 29/625,644, filed on Nov. 10, 2017, now Pat. No. Des. 868,849.

(51) **LOC (13) Cl.** **15-07**

(52) **U.S. Cl.**
USPC **D15/89**

(58) **Field of Classification Search**
USPC D15/79-91

CPC .. F25D 11/00; F25D 17/065; F25D 2325/022; F25D 23/069; F25D 25/025; F25D 11/02; F25D 17/062; F25D 21/12; F25D 21/125; F25D 21/14; F25D 2317/061; F25D 2317/067; F25D 2323/021; F25D 2323/024; F25D 23/028; F25D 23/04; F25D 23/066; F25D 23/085; F25D 23/087; F25D 23/126; F25D 2400/02; F25D 2400/06; F25D 2400/361; F25D 2400/40; F25D 25/005; F25D 25/02; F25D 2600/02; F25D 2700/02; F25D 2700/12; F25D 2700/121; F25D 2700/14; F25D 29/00

See application file for complete search history.

(56) **References Cited**

U.S. PATENT DOCUMENTS

D101,136 S *	9/1936	Peltier	D15/89
2,215,931 A *	9/1940	Money	F25D 25/02 211/153
D244,019 S	4/1977	Brown	
D271,107 S	10/1983	Trulsake	
5,004,302 A *	4/1991	Stocking	A47B 57/42 108/107
D362,756 S *	10/1995	Finger	D6/317
D386,502 S	11/1997	Sholl	
D427,487 S *	7/2000	Holbrook	D7/409
D478,601 S	8/2003	Becke	
D512,081 S	11/2005	Chang	
D519,133 S	4/2006	Chang	
D604,340 S	11/2009	Kim et al.	
D630,230 S	1/2011	Yang	

(Continued)

Primary Examiner — Khawaja Anwar

(74) *Attorney, Agent, or Firm* — Knobbe, Martens, Olson & Bear, LLP

(57) **CLAIM**

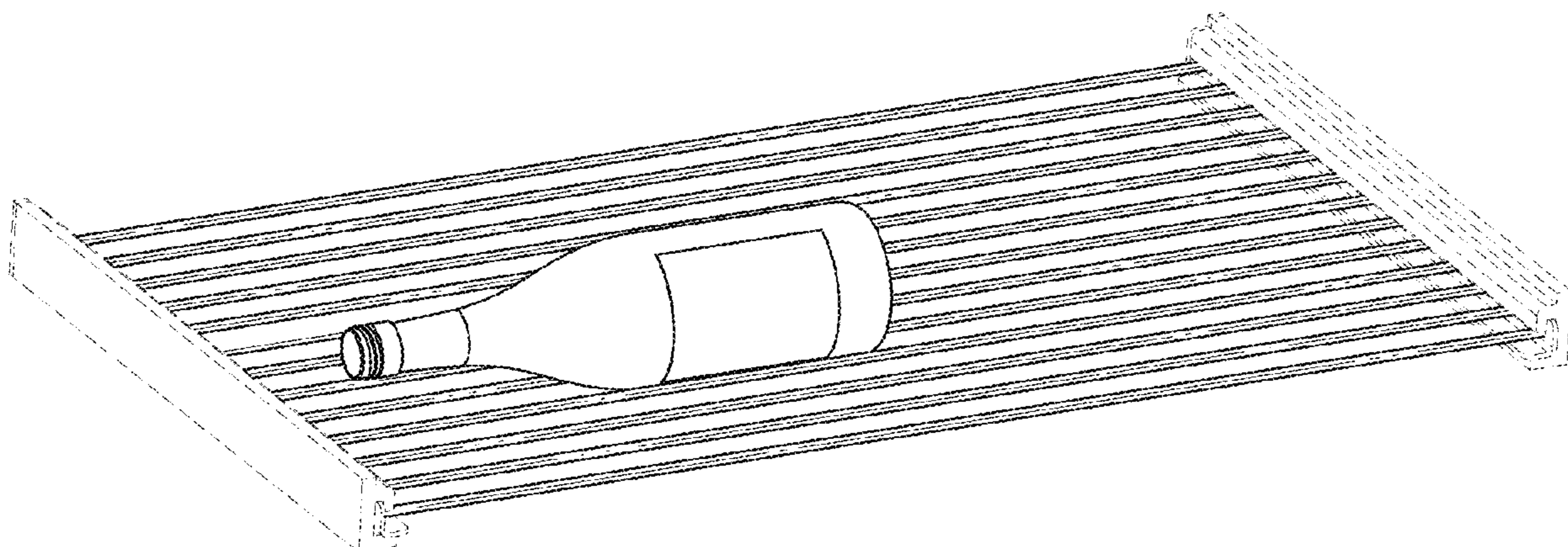
The ornamental design for an interior rack of an appliance with backlit feature, as shown and described.

DESCRIPTION

FIG. 1 is a perspective view of an interior rack of an appliance with backlit feature separate from the appliance. FIG. 2 is a front view thereof. FIG. 3 is a rear view thereof. FIG. 4 is a left side view thereof. FIG. 5 is a right side view thereof. FIG. 6 is a top view thereof; and, FIG. 7 is a bottom view thereof.

The broken lines in the drawings illustrate portions of the interior rack of an appliance with backlit feature or environmental structure which form no part of the claimed design.

1 Claim, 3 Drawing Sheets



(56)

References Cited

U.S. PATENT DOCUMENTS

D630,231 S	1/2011	Yang	
D633,532 S	3/2011	Horn et al.	
7,900,783 B2 *	3/2011	Fernandez	A47B 45/00 108/108
D651,221 S	12/2011	Voron et al.	
D652,064 S	1/2012	Voron et al.	
D659,724 S	5/2012	Wolfe	
D671,574 S	11/2012	Jafa et al.	
D671,576 S	11/2012	Jafa et al.	
D692,467 S	10/2013	Brenneis et al.	
D694,290 S *	11/2013	Hottmann	D15/89
D694,291 S *	11/2013	Hottmann	D15/89
D698,589 S *	2/2014	Troyner	D6/705.6
D700,221 S *	2/2014	Ringemann	D15/89
D702,268 S *	4/2014	Roland	D15/89
D711,936 S *	8/2014	Hynes	A47B 73/00 D15/89
D713,188 S *	9/2014	Gokhale	D6/705.6
D723,593 S *	3/2015	Ryu	D15/89
D724,631 S *	3/2015	Kim	D15/89
D726,455 S	4/2015	Collini	
D745,580 S	12/2015	Miller et al.	
D757,127 S	5/2016	Rautavuori	
D762,741 S	8/2016	Galiatsis	
D765,151 S	8/2016	Park et al.	
D770,544 S *	11/2016	Lee	D15/89
D776,726 S	1/2017	Mauffette	
D794,684 S	8/2017	Mauffette	
D826,995 S *	8/2018	Diamond	D15/89
D847,220 S *	4/2019	Strum	D15/89
D858,588 S *	9/2019	Um	D15/89

* cited by examiner

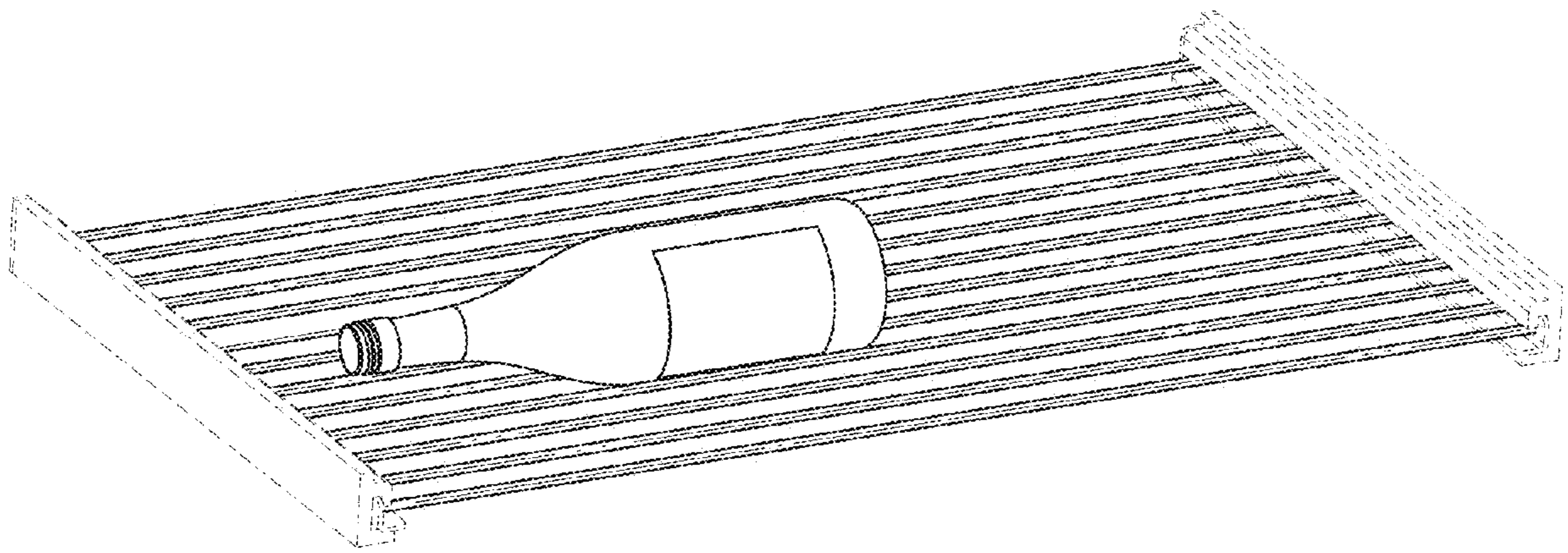


FIG. 1

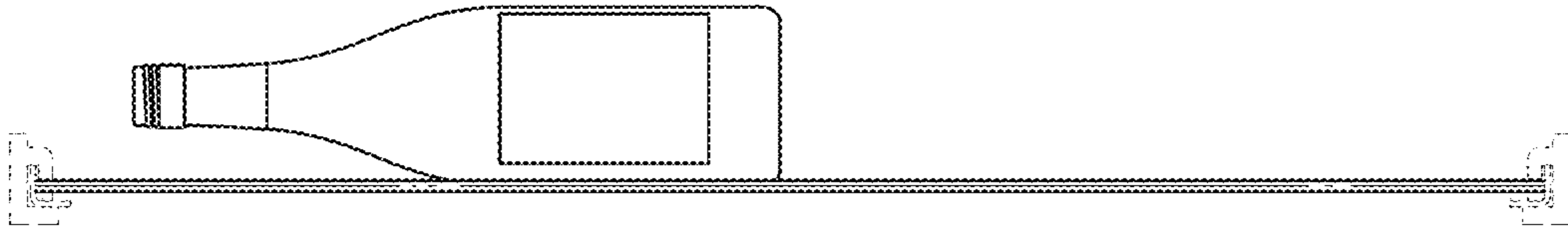


FIG. 2

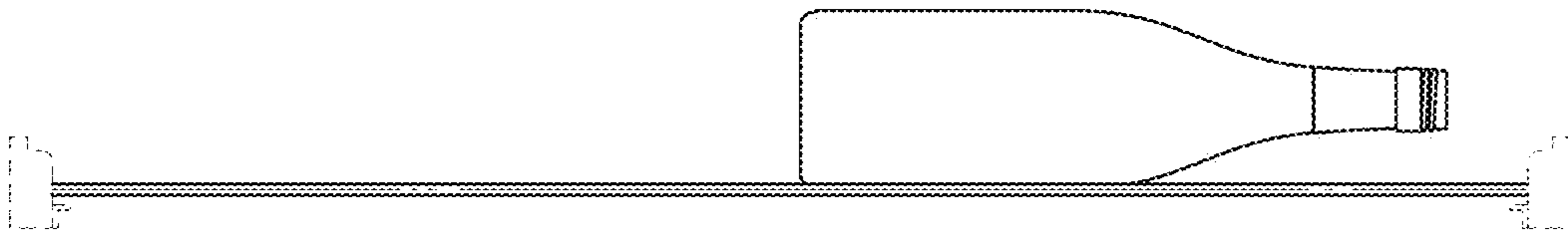


FIG. 3

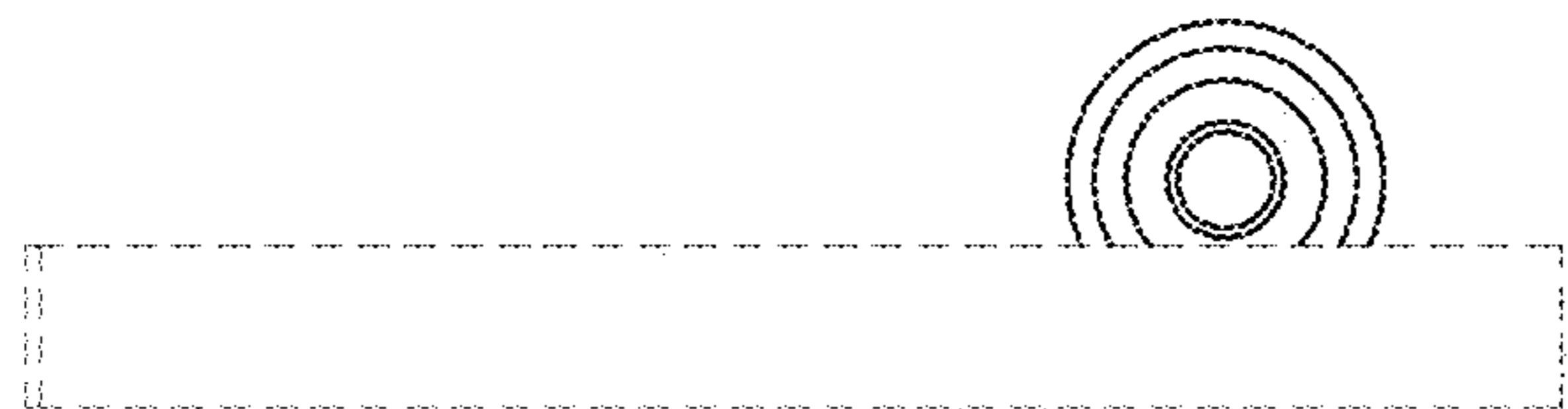


FIG. 4



FIG. 5

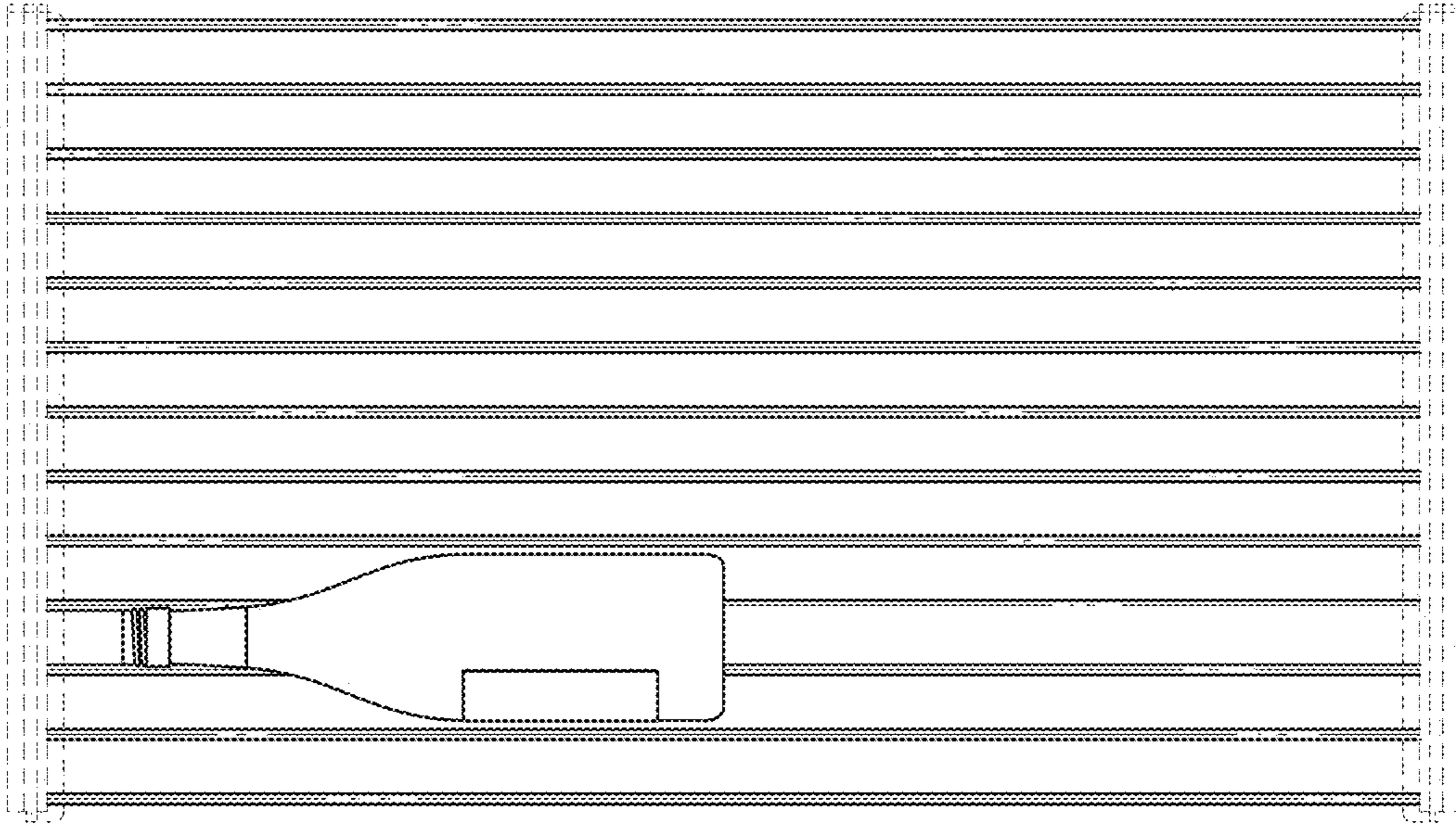


FIG. 6

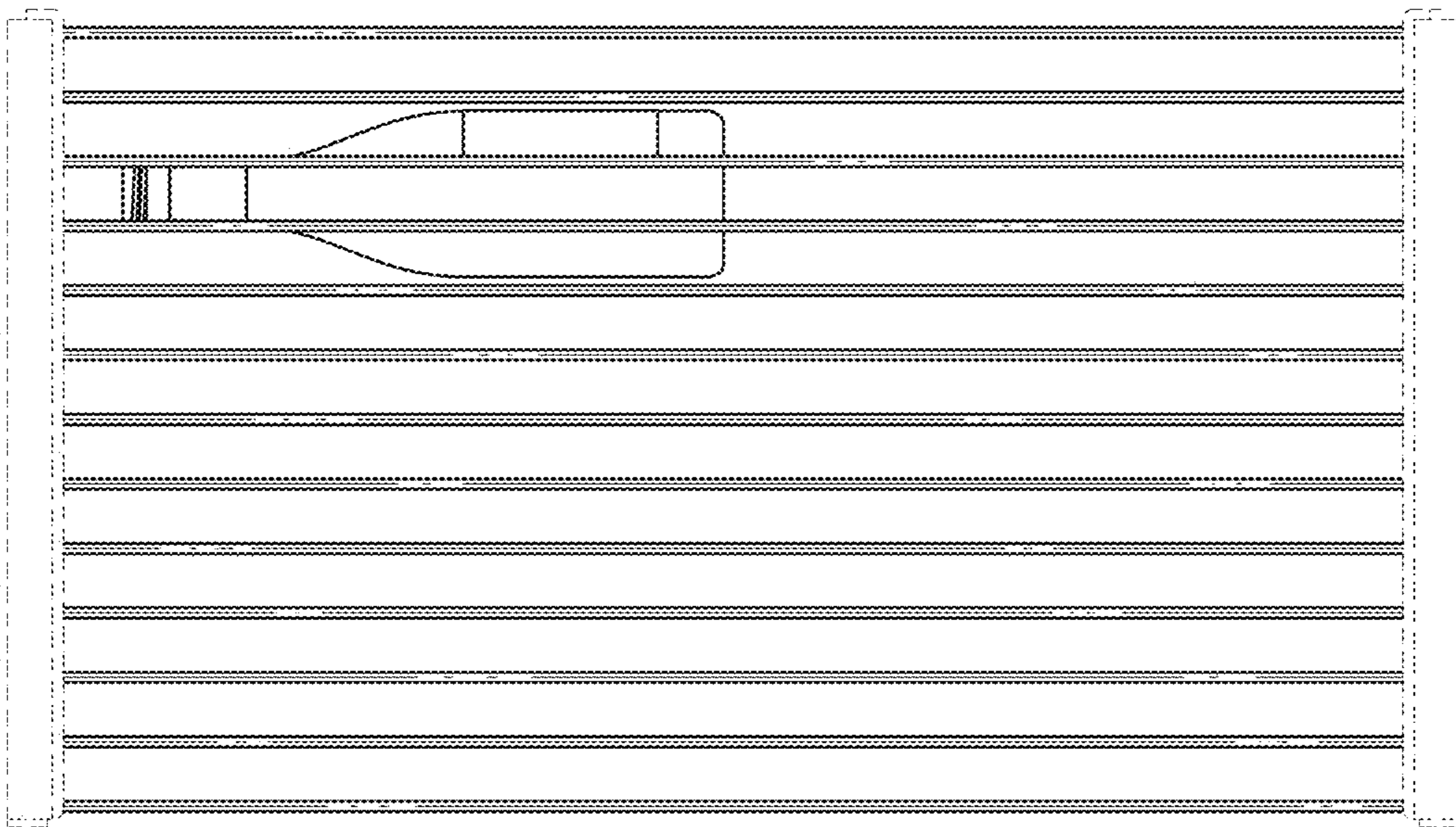


FIG. 7