



US00D910088S

(12) **United States Design Patent** (10) **Patent No.:** **US D910,088 S**  
**Futagami** (45) **Date of Patent:** **\*\* Feb. 9, 2021**

- (54) **TRACTOR**
- (71) Applicant: **Kubota Corporation**, Osaka (JP)
- (72) Inventor: **Gen Futagami**, Osaka (JP)
- (73) Assignee: **Kubota Corporation**, Osaka (JP)
- (\*\*) Term: **15 Years**
- (21) Appl. No.: **29/673,491**
- (22) Filed: **Dec. 14, 2018**

D519,130 S *	4/2006	Higashikawa	.....	D15/23
D519,131 S *	4/2006	Kuwae	.....	D15/23
D527,026 S *	8/2006	Kuwae	.....	D15/23
D555,674 S *	11/2007	Kuwae	.....	D15/23
D602,047 S *	10/2009	Kushita	.....	D15/23
D604,749 S *	11/2009	Kushita	.....	D15/23
D641,027 S *	7/2011	Kawashiri	.....	D15/23
D668,270 S *	10/2012	Kushita	.....	D15/23
D674,819 S *	1/2013	Hagele	.....	D15/23
D693,374 S *	11/2013	Chlystek	.....	D15/23
D693,375 S *	11/2013	Chlystek	.....	D15/23
D703,699 S *	4/2014	Shimomura	.....	D15/23
D708,232 S *	7/2014	Furuki	.....	D15/23
D729,851 S *	5/2015	Kushita	.....	D15/23
D759,730 S *	6/2016	Okuyama	.....	D15/26
D777,214 S *	1/2017	Moritaka	.....	D15/26
D777,215 S *	1/2017	Moritaka	.....	D15/26

(Continued)

**Related U.S. Application Data**

- (62) Division of application No. 35/504,005, filed on Nov. 2, 2017 (U.S. filing date under 35 U.S.C. 384), and having an international filing date of Nov. 2, 2017, now Pat. No. Des. 855,665.
- (51) **LOC (13) Cl.** ..... **12-09**
- (52) **U.S. Cl.**  
USPC ..... **D15/33**  
CPC ..... **A01B 51/026** (2013.01)
- (58) **Field of Classification Search**  
USPC ..... D15/10, 14, 15, 22-26, 33; 180/69.2, 180/89.1, 89.12, 900; 56/10.1, 12.7, 15.8, 56/16.7, 13.3, 202, 320.1  
CPC ..... A01B 51/026; B62D 49/02; B62D 33/06; B62D 33/0604; B62D 33/0617; B62D 25/10; B60K 15/063; B60K 15/073; B60K 2015/0637  
See application file for complete search history.

**FOREIGN PATENT DOCUMENTS**

JP	1310434 S	9/2007
JP	1329578 S	5/2008

(Continued)

*Primary Examiner* — Richard E Chilcot  
(74) *Attorney, Agent, or Firm* — The Webb Law Firm

(57) **CLAIM**

The ornamental design for a tractor, as shown and described.

**DESCRIPTION**

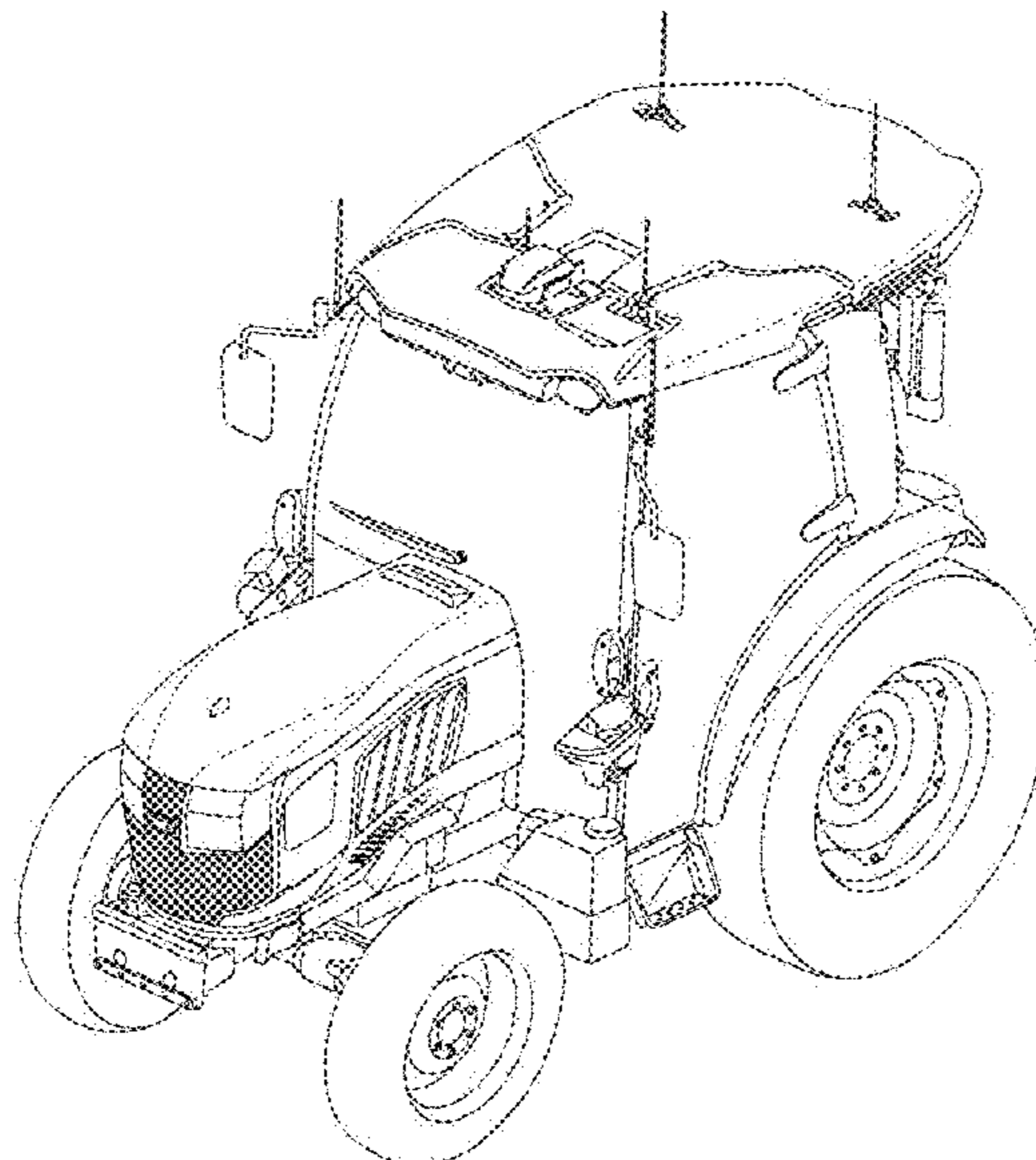
FIG. 1 is a front elevation view of a tractor, showing my new design;  
FIG. 2 is a rear elevation view thereof;  
FIG. 3 is a left side elevation view thereof;  
FIG. 4 is a right side elevation view thereof;  
FIG. 5 is a top view thereof; and,  
FIG. 6 is an upper perspective view thereof.  
A bottom view is omitted because it is plain and unornamental and forms no part of the subject matter of the claimed design.

**1 Claim, 6 Drawing Sheets**

(56) **References Cited**

**U.S. PATENT DOCUMENTS**

D329,435 S *	9/1992	Katoh	.....	D15/23
D387,068 S *	12/1997	Kato	.....	D15/23
D391,581 S *	3/1998	Kato	.....	D15/23
D440,234 S *	4/2001	Katoh	.....	D15/23
D498,245 S *	11/2004	Kuwae	.....	D15/23



(56)

**References Cited**

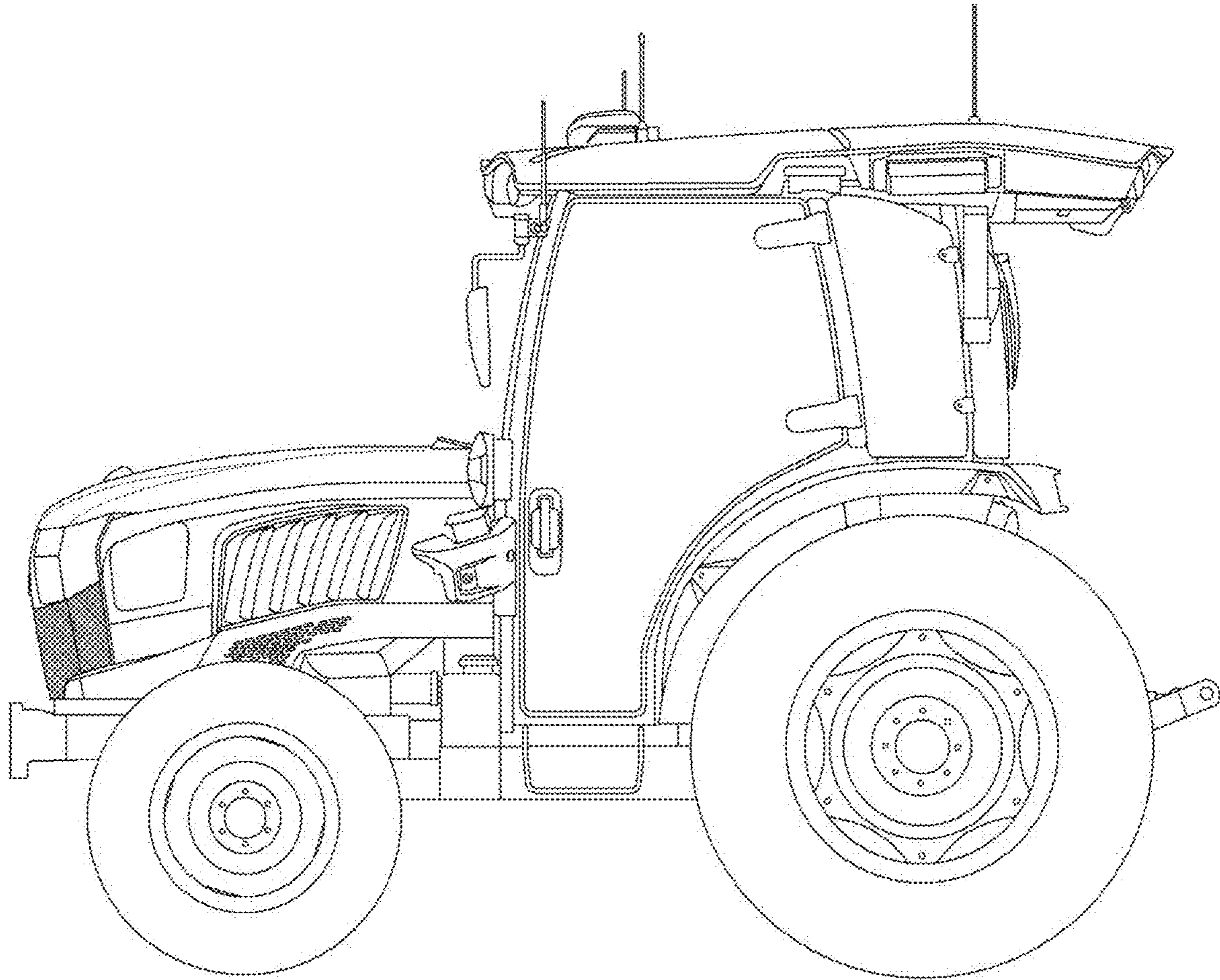
U.S. PATENT DOCUMENTS

D777,798	S	*	1/2017	Yetkin .....	D15/26
D783,059	S	*	4/2017	Okuyama .....	D15/23
D784,422	S	*	4/2017	Okuyama .....	D15/23
D785,050	S	*	4/2017	Okuyama .....	D15/23
D785,051	S	*	4/2017	Okuyama .....	D15/23
D786,941	S	*	5/2017	Kushita .....	D15/26
D849,060	S	*	5/2019	Tullius .....	D15/24
D878,428	S	*	3/2020	Furuki .....	D15/23

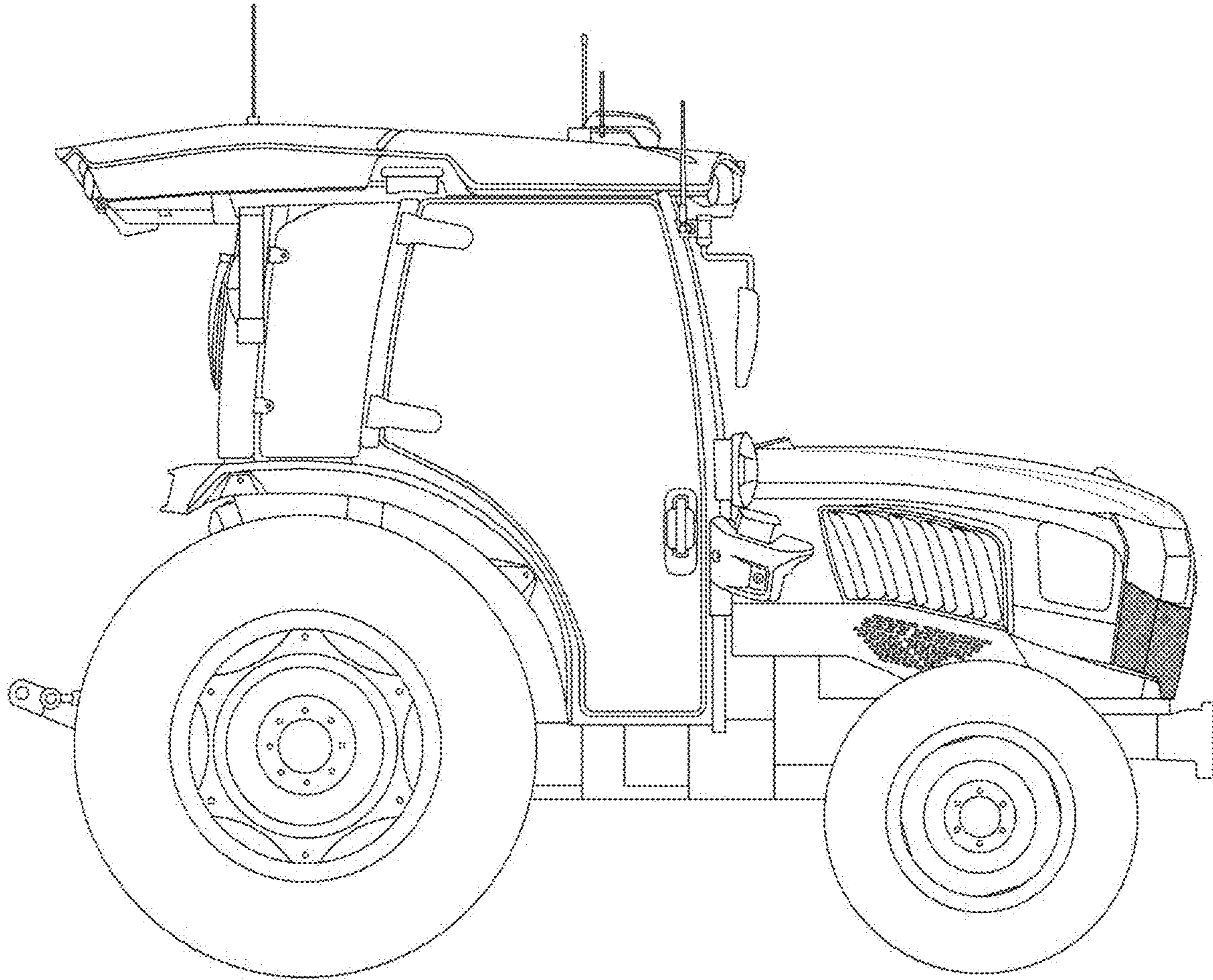
FOREIGN PATENT DOCUMENTS

JP	1330341	S	5/2008
JP	1386027	S	4/2010
JP	1526336	S	6/2015
JP	1473076	S	6/2016

\* cited by examiner



**FIG. 1**



**FIG. 2**

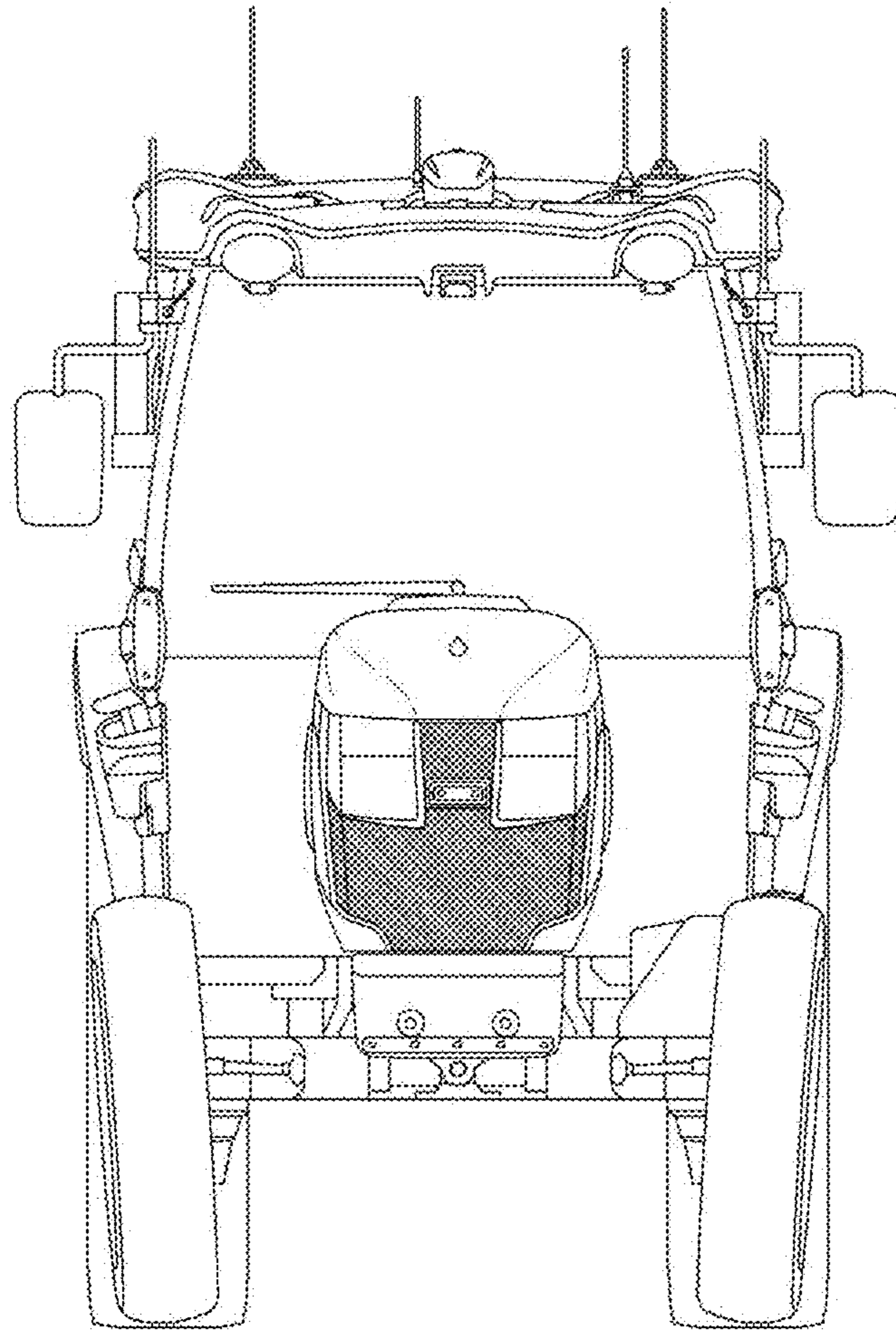


FIG. 3

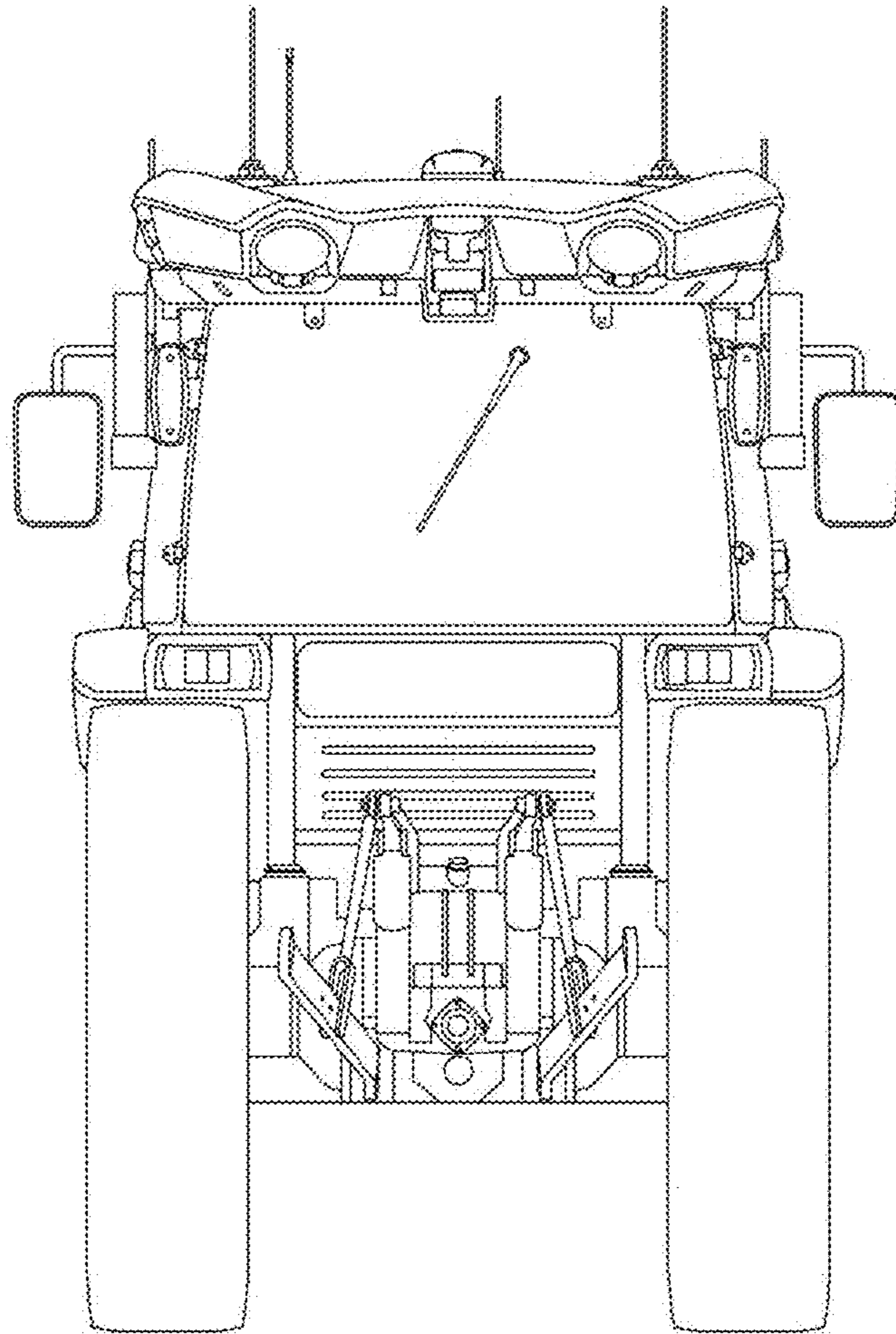


FIG. 4

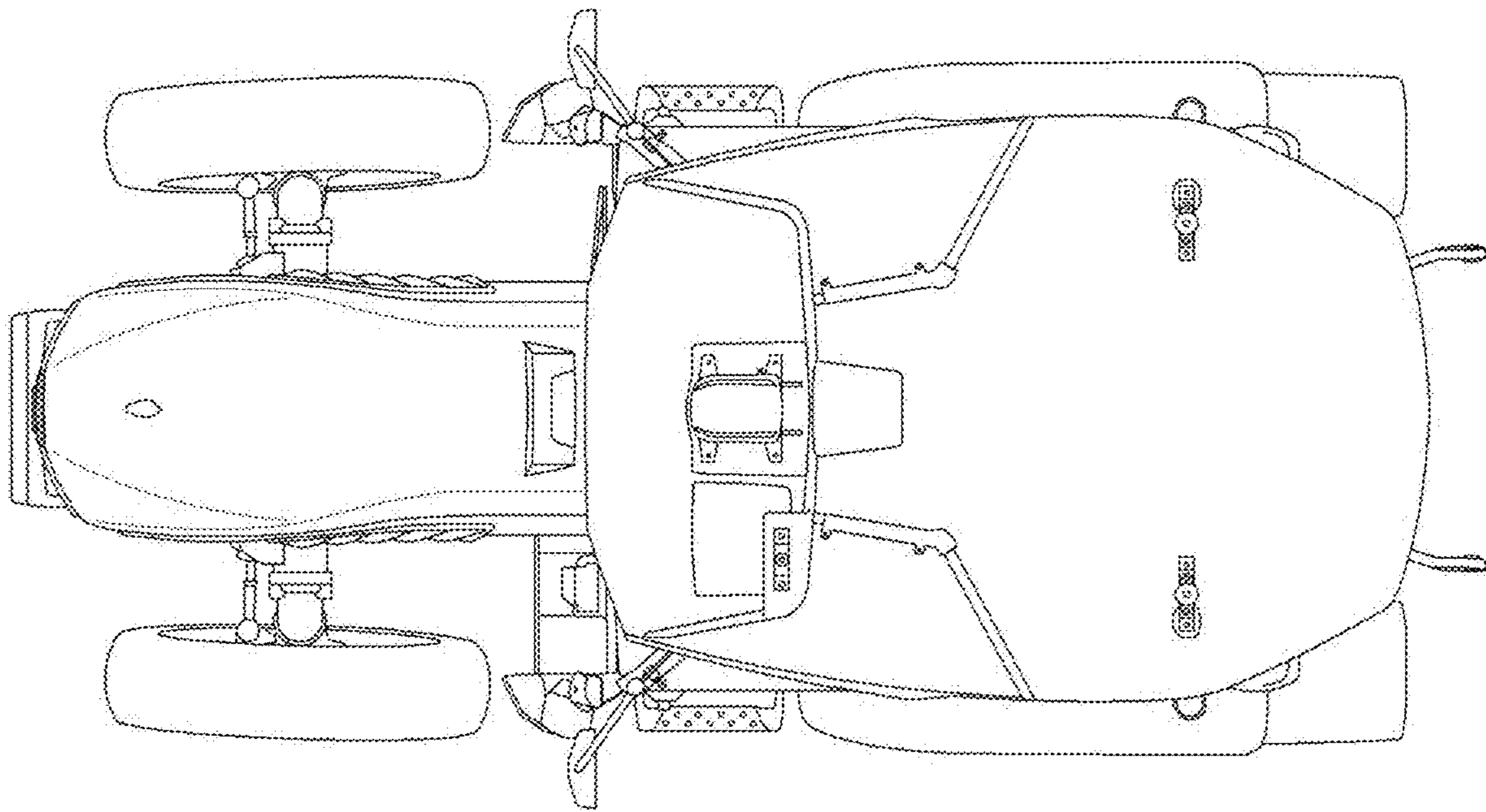


FIG. 5

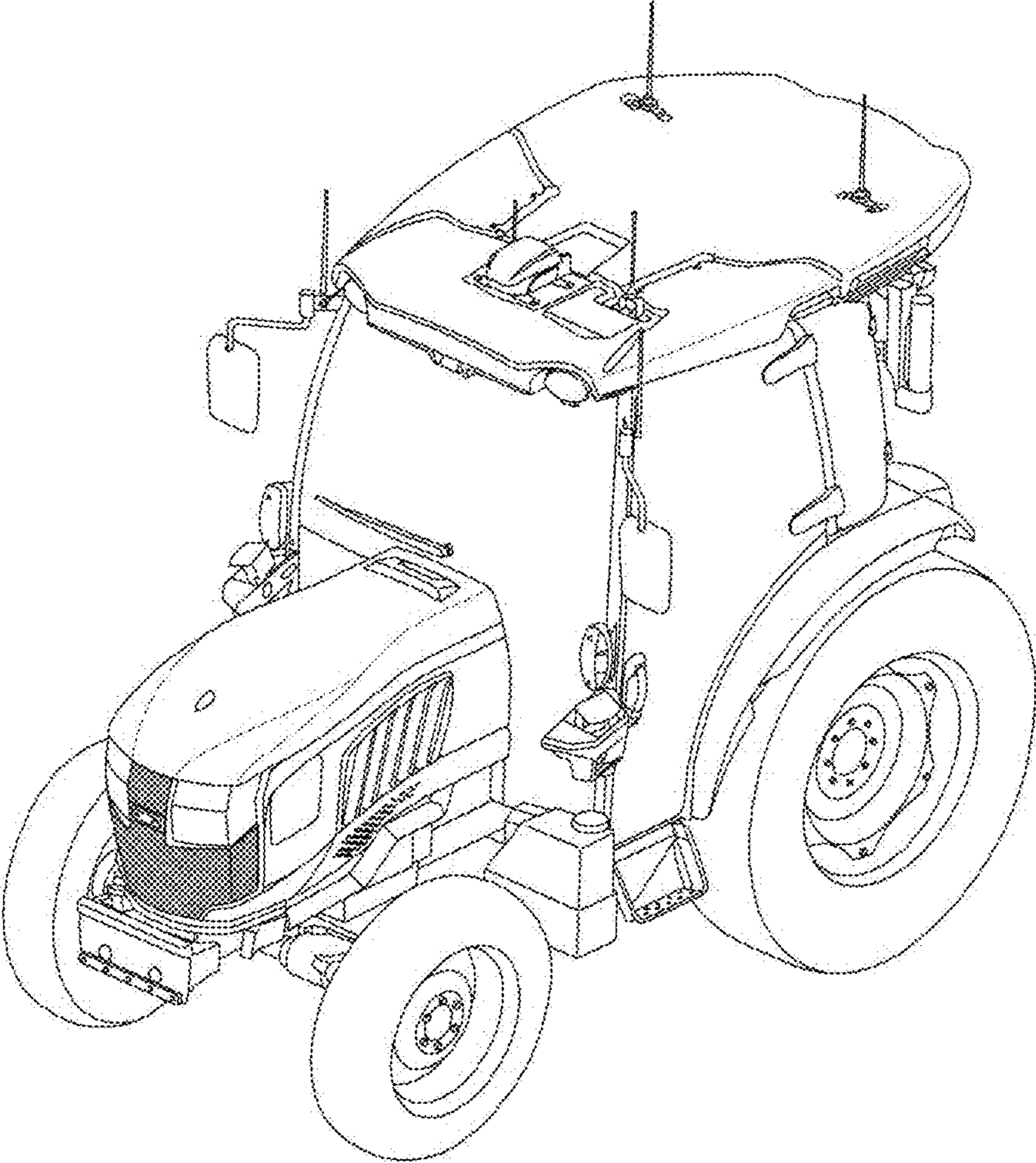


FIG. 6