



US00D910084S

(12) **United States Design Patent**
Huang

(10) **Patent No.:** **US D910,084 S**

(45) **Date of Patent:** **** Feb. 9, 2021**

(54) **ELECTRIC WATER BOTTLE PUMP**

D659,167 S * 5/2012 Cocks D15/7
D663,746 S * 7/2012 Kwon D15/7
D691,253 S * 10/2013 Chen D23/366

(71) Applicant: **Shenzhen Forest Home Technology Co., Ltd.**, Guangdong (CN)

(Continued)

(72) Inventor: **Guofei Huang**, Guangdong (CN)

FOREIGN PATENT DOCUMENTS

(**) Term: **15 Years**

CN 305545541 * 1/2020
CN 305561773 * 1/2020
CN 305813196 * 5/2020

(21) Appl. No.: **29/698,557**

OTHER PUBLICATIONS

(22) Filed: **Jul. 17, 2019**

(51) **LOC (13) Cl.** **15-02**

(52) **U.S. Cl.**
USPC **D15/7**

SCMAuto, Water Dispenser, Automatic Electric Drinking Water Pump for 5 Gallon Water Bottle and Water Jugs, (first available May 20, 2019), Amazon.com, URL:< https://www.amazon.com/Dispenser-Automatic-Electric-Drinking-Gallon/dp/B07RXH1TNB> (Year: 2019).*

(Continued)

(58) **Field of Classification Search**
USPC D28/9, 57, 62, 93, 99, 91.1;
D7/300-321; D24/108, 110, 111;
D13/103, 107; D23/210, 225, 231, 232,
D23/366; D15/7-9
CPC B29C 73/00; F04B 53/00; F04B 45/027;
F04B 1/005; F04B 35/06; E03B 5/00;
B25B 21/02; B60S 5/04; B60S 5/046;
B05B 7/00; B05B 11/00; B05B 19/02;
A45D 2200/056; A45D 44/02

See application file for complete search history.

Primary Examiner — Sheryl Lane
Assistant Examiner — Mark T. Philipps
(74) *Attorney, Agent, or Firm* — ZANIP

(57) **CLAIM**

The ornamental design for an electric water bottle pump, as shown and described.

DESCRIPTION

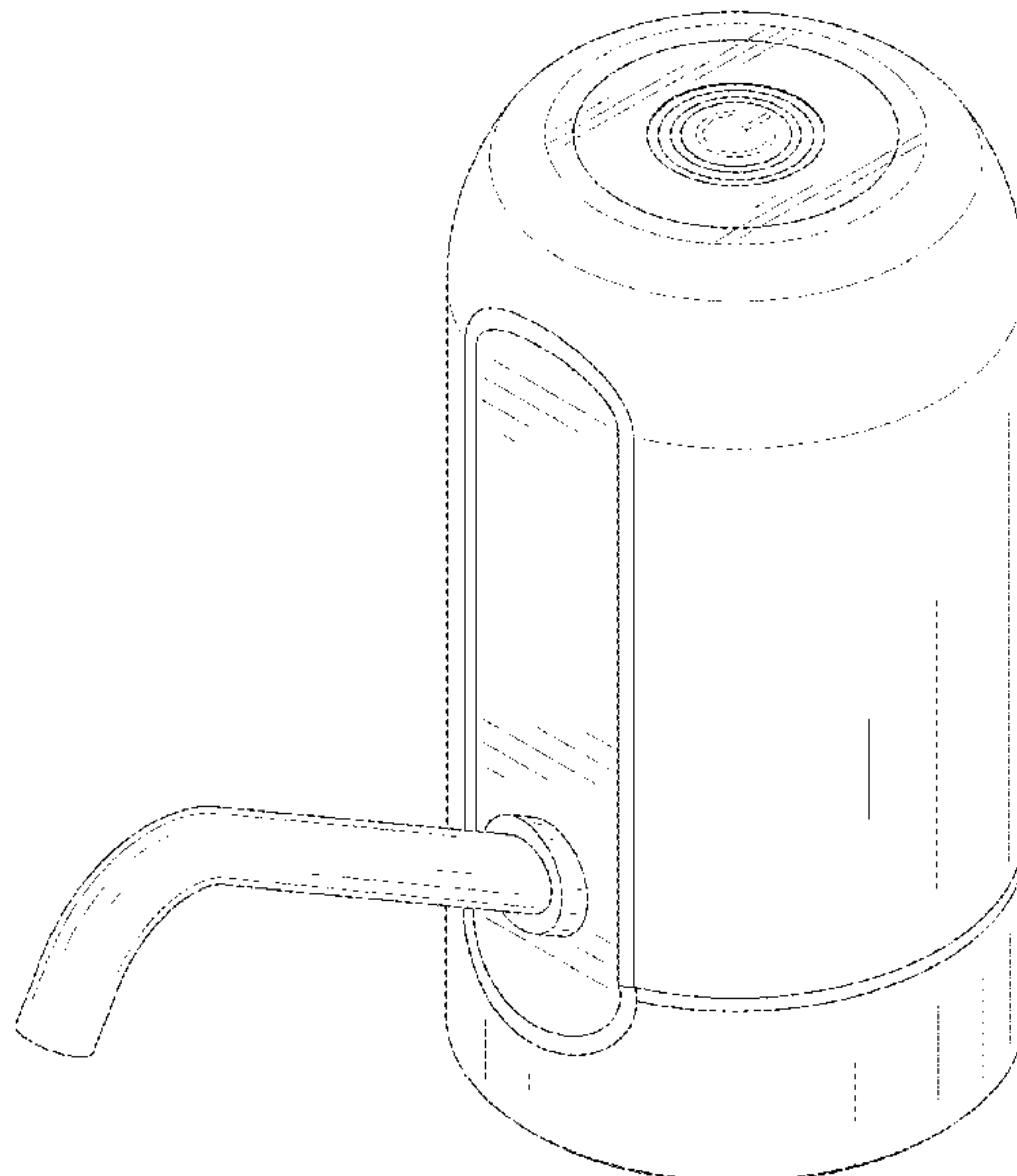
(56) **References Cited**

U.S. PATENT DOCUMENTS

D267,629 S * 1/1983 Hasegawa D9/504
D289,858 S * 5/1987 Duval D23/366
D295,522 S * 5/1988 Martin D15/7
D466,357 S * 12/2002 Bornancini D7/312
D537,721 S * 3/2007 Kertels D9/449
D580,708 S * 11/2008 George D7/509
D589,984 S * 4/2009 Roesler D15/7
D593,365 S * 6/2009 Miller D7/510
D622,547 S * 8/2010 Carreno D7/510
D634,417 S * 3/2011 Abbondanzio D23/366
D638,528 S * 5/2011 Zhou D23/318
D658,072 S * 4/2012 Davis D9/689

FIG. 1 is a top, front and right side perspective view of an electric water bottle pump showing my new design;
FIG. 2 is a bottom, rear and left side perspective view thereof;
FIG. 3 is a right side view thereof;
FIG. 4 is a left side view thereof;
FIG. 5 is a front elevational view thereof;
FIG. 6 is a rear elevational view thereof;
FIG. 7 is a top plan view thereof; and,
FIG. 8 is a bottom plan view thereof.
The broken lines in the drawings illustrate portions of the electric water bottle pump which form no part of the claimed design.

1 Claim, 8 Drawing Sheets



(56)

References Cited

U.S. PATENT DOCUMENTS

D713,094 S * 9/2014 Garner D28/9
D729,581 S * 5/2015 Boroski D7/510
D732,338 S * 6/2015 Boroski D7/507
D742,699 S * 11/2015 Boroski D7/608
D764,650 S * 8/2016 Sanders D23/366
D788,897 S * 6/2017 Lee D23/356
D800,787 S * 10/2017 Lahav D15/7
D809,856 S * 2/2018 Winn D7/392.1
D818,004 S * 5/2018 Lee D15/7
D821,815 S * 7/2018 Chung D7/510
D828,079 S * 9/2018 Winn B01F 3/1271
D830,127 S * 10/2018 Rohe D7/510
D831,434 S * 10/2018 Washburn D7/608
D834,620 S * 11/2018 Neir F04B 35/04
D845,074 S * 4/2019 Gluck D7/510
D852,939 S * 7/2019 Jonsson D23/366

D858,212 S * 9/2019 Hewitt D7/608
D879,933 S * 3/2020 Nanda D23/366
D881,365 S * 4/2020 Mecker D23/366
2002/0108965 A1 * 8/2002 Hill A45D 44/02
222/54
2019/0127098 A1 * 5/2019 Chang F04D 29/701

OTHER PUBLICATIONS

Myvision, Water Bottle Pump 5 Gallon Water bottle dispenser USB Charging Automatic Drinking Water Pump Portable Electric Water Dispenser Water Bottle Switch, (first available Sep. 17, 2018), Amazon.com, URL:<<https://www.amazon.com/dp/B07HFPC7HB>> (Year: 2018).*
YOMYM store, Water Bottle Dispenser, YOMYM Water Bottle Pump USB Charging Automatic Drinking Water Pump Portable Electric Water Dispenser Water Bottle Switch for Universal 5 Gallon Bottle, (first available date Mar. 26, 2019), Amazon.com, URL:<<https://www.amazon.com/dp/B07NRYR6B6>> (Year: 2019).*

* cited by examiner

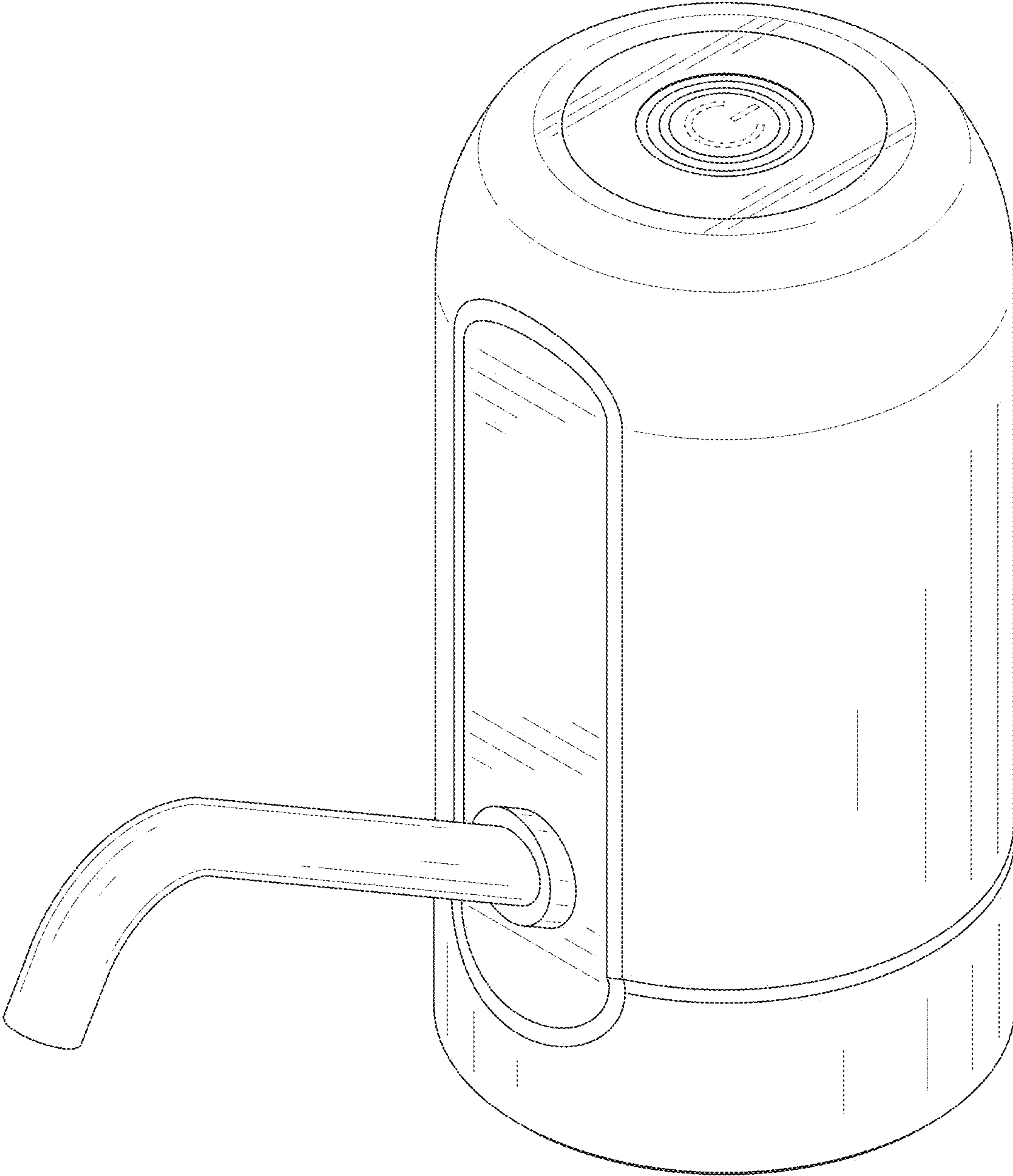


FIG. 1

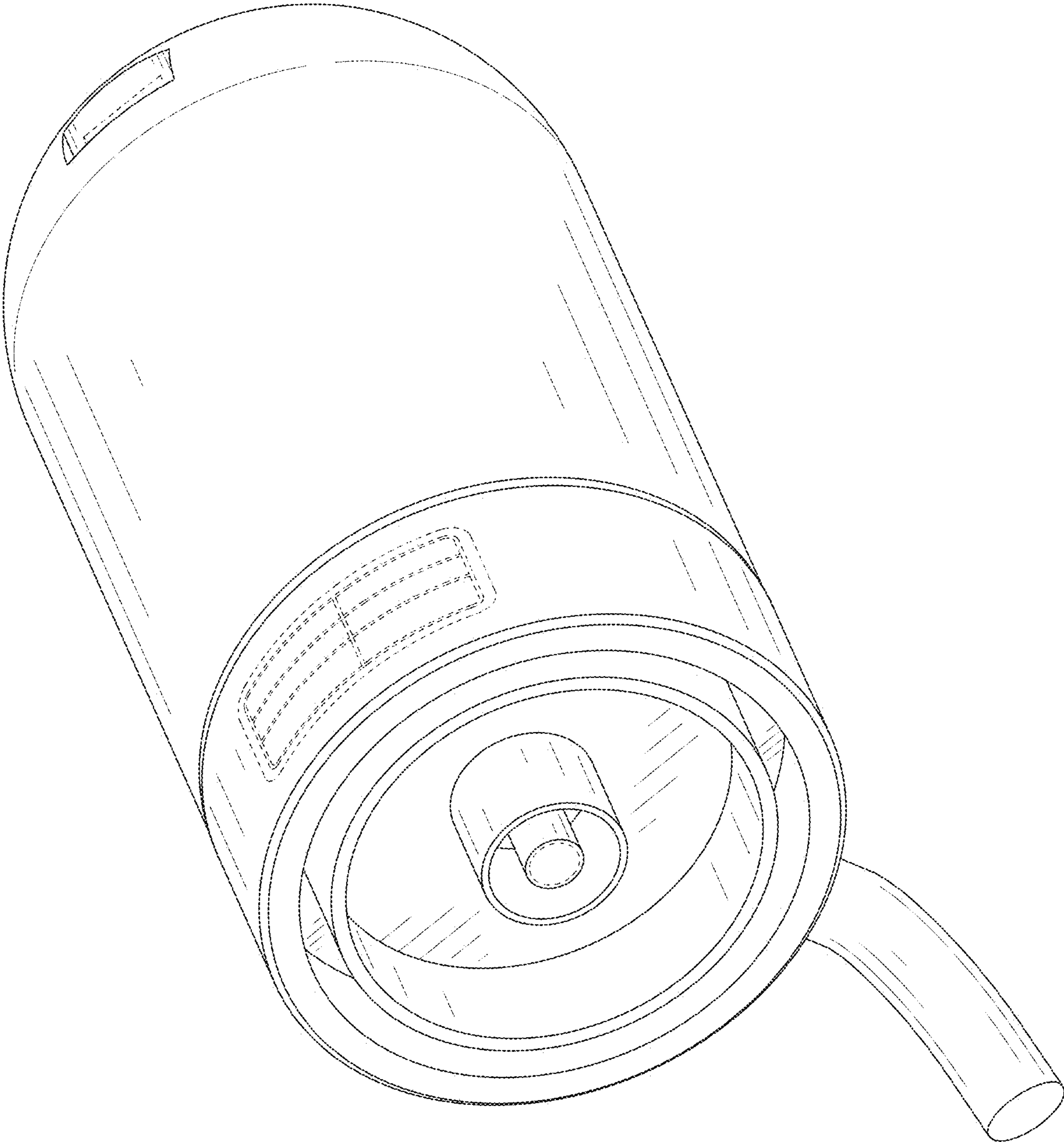


FIG. 2

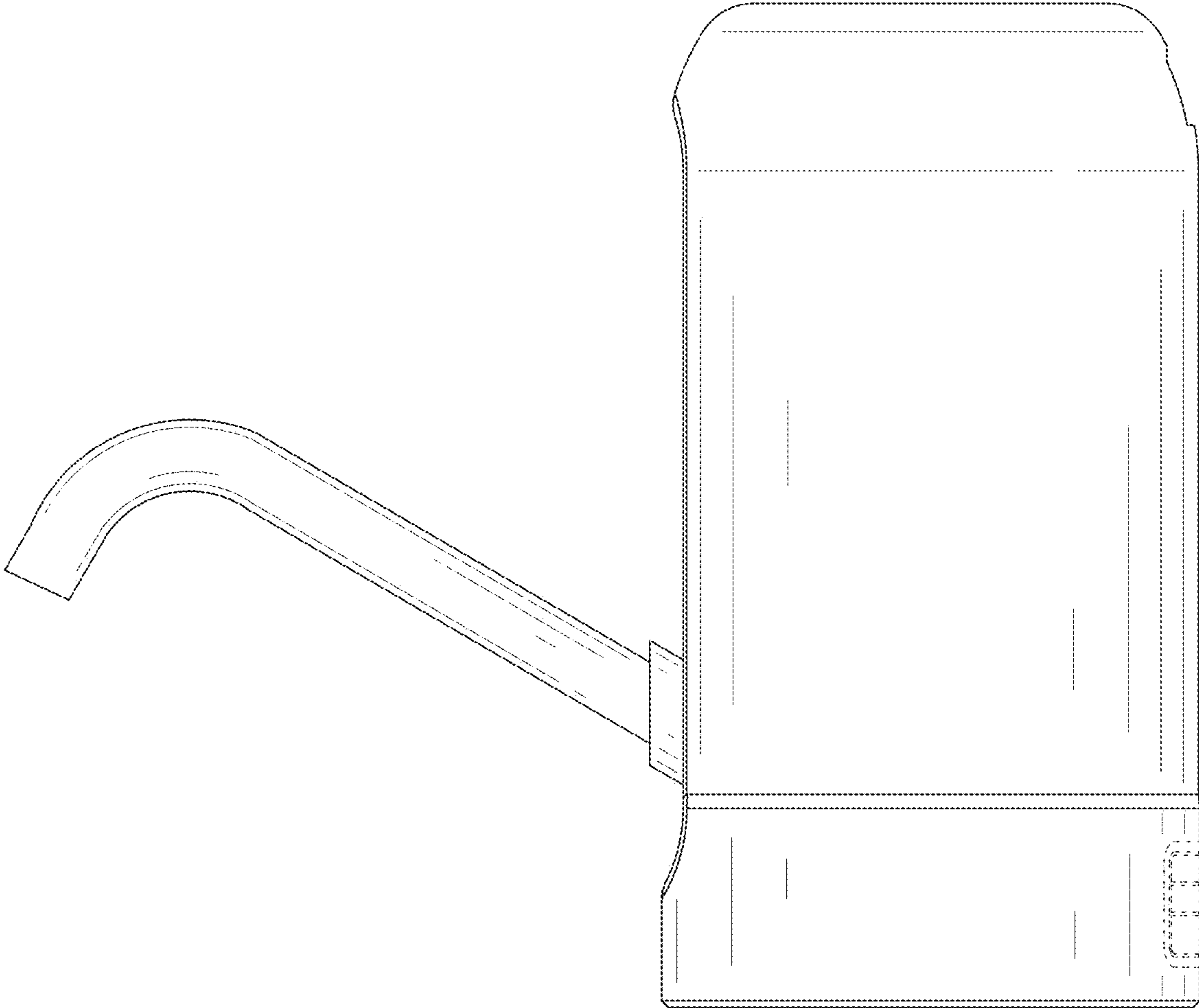


FIG. 3

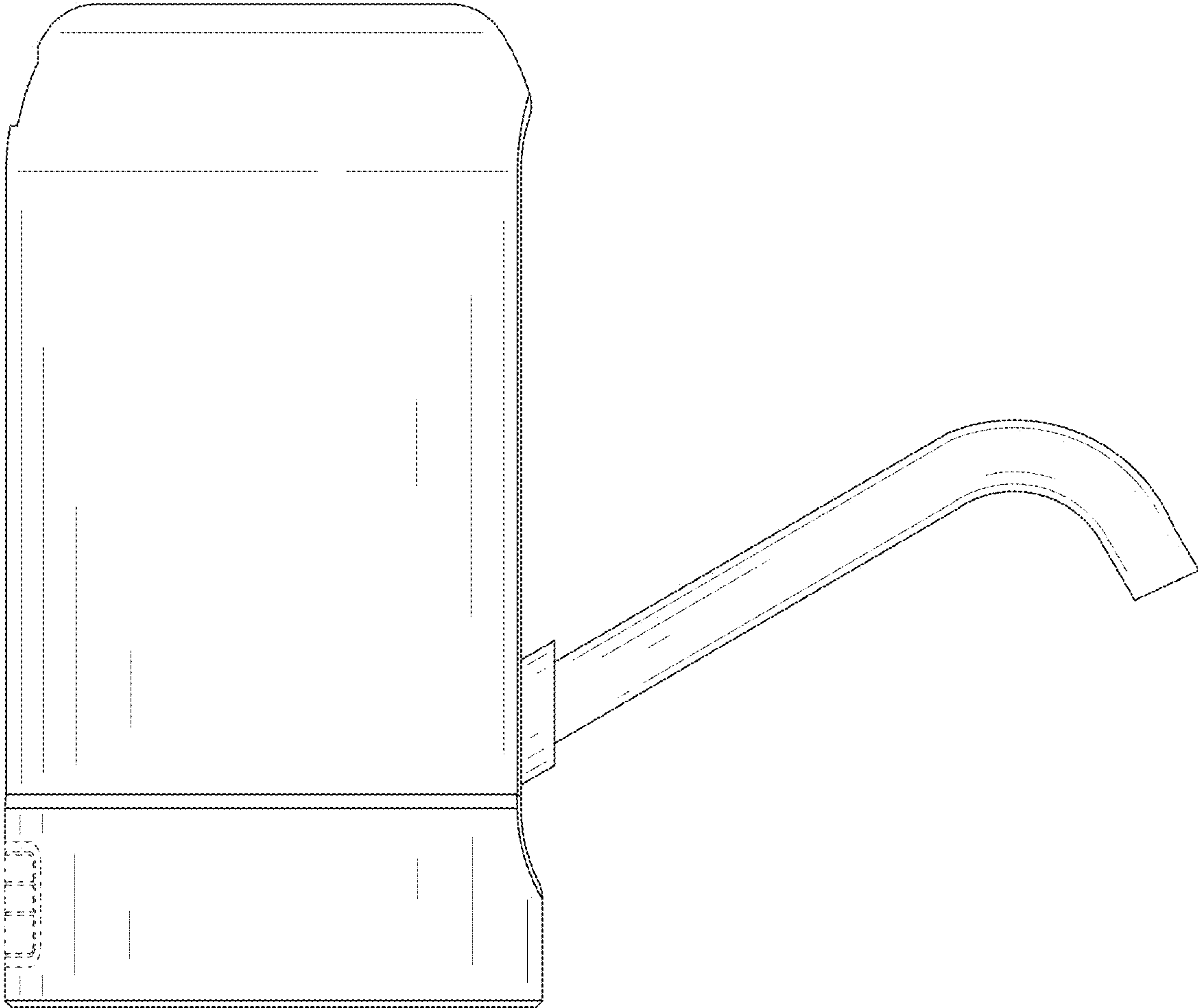


FIG. 4

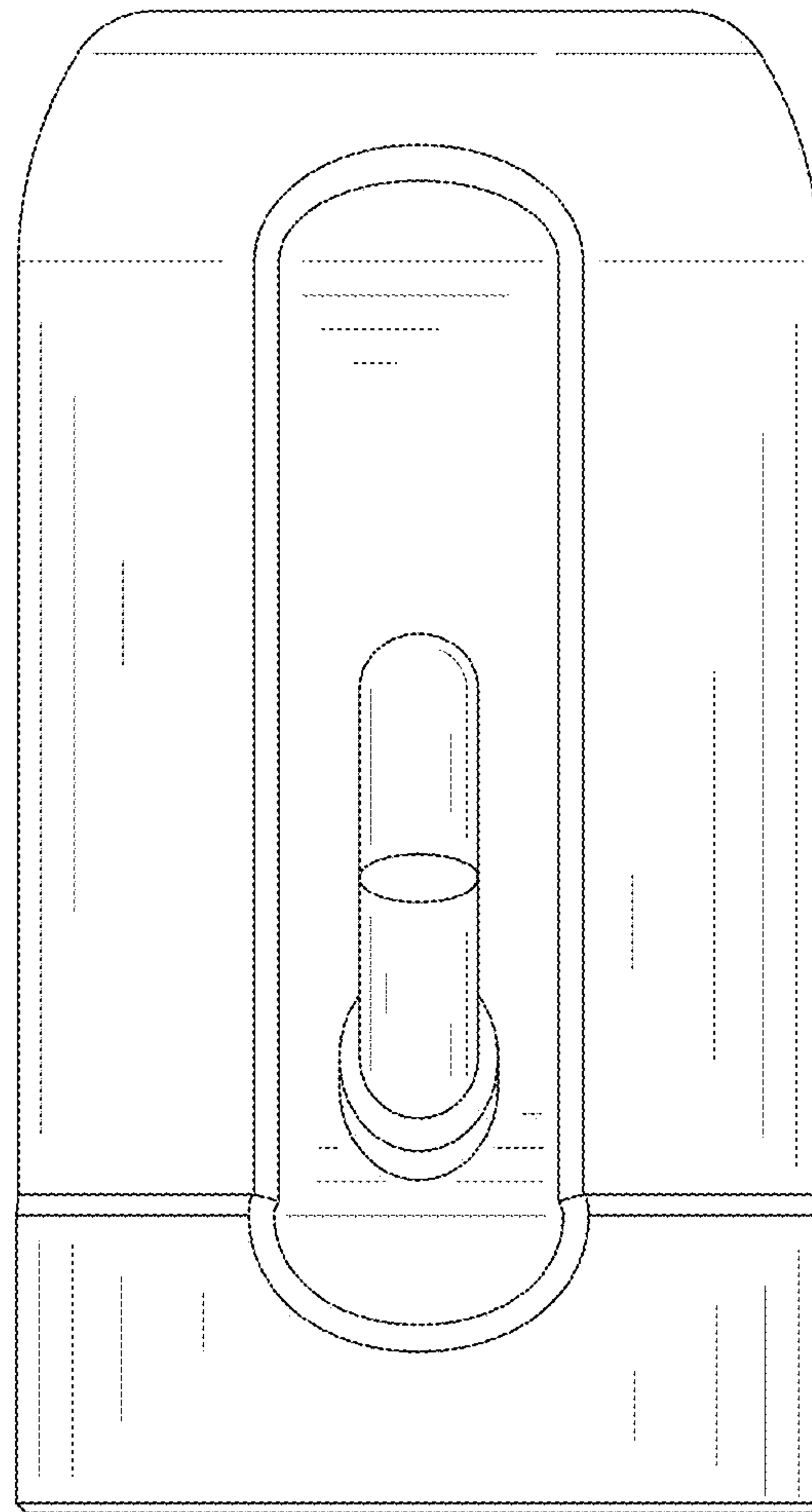


FIG. 5

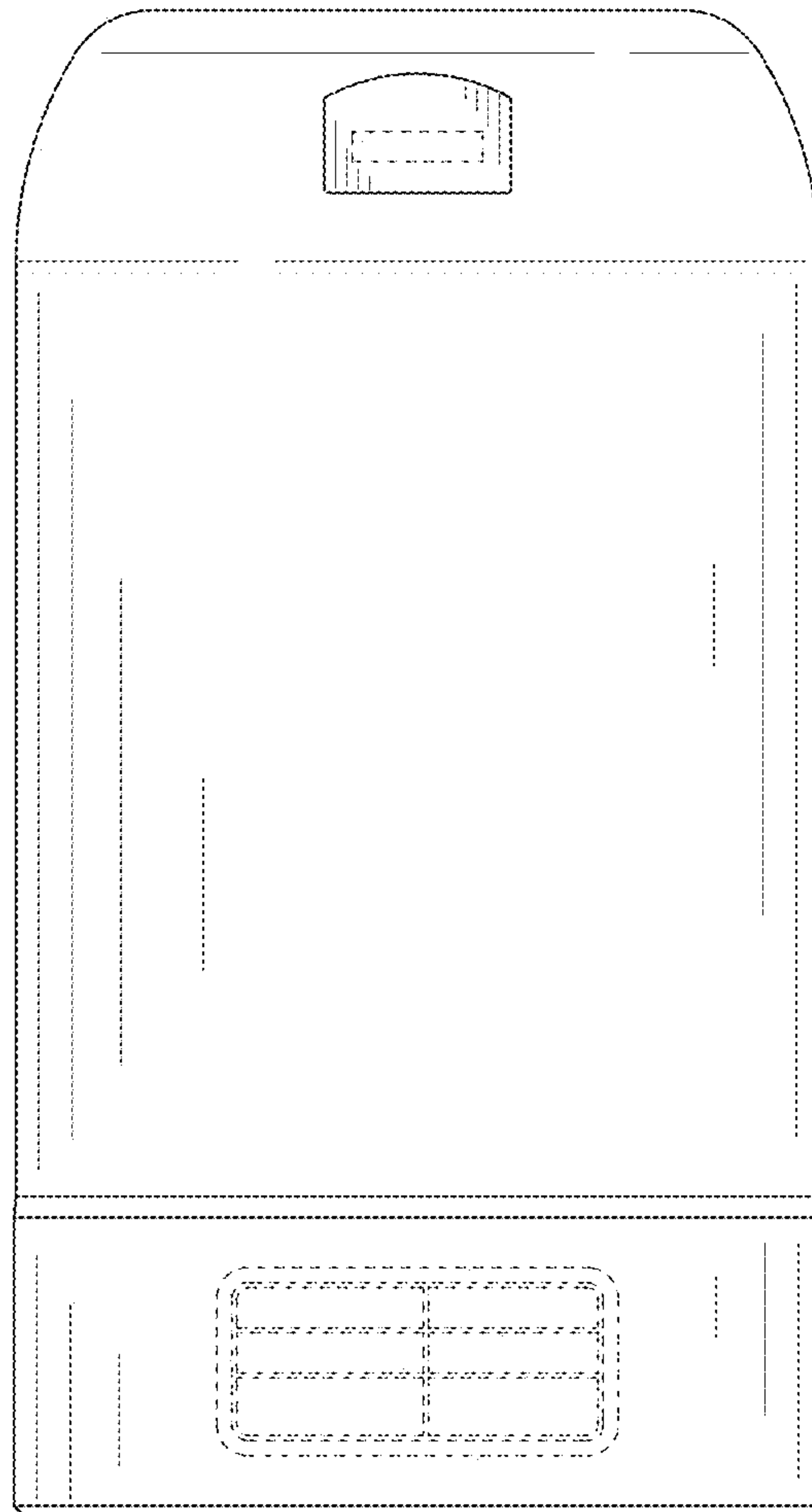


FIG. 6

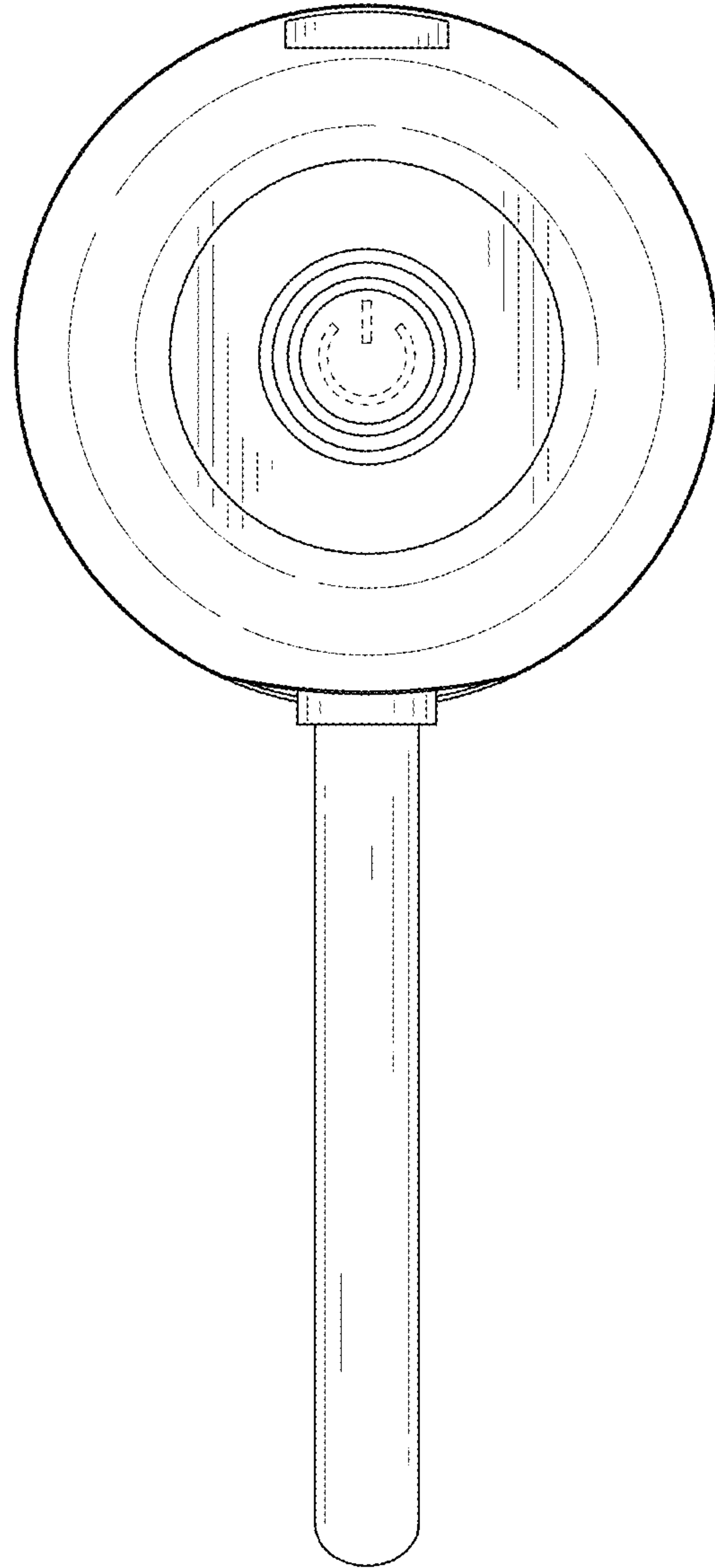


FIG. 7

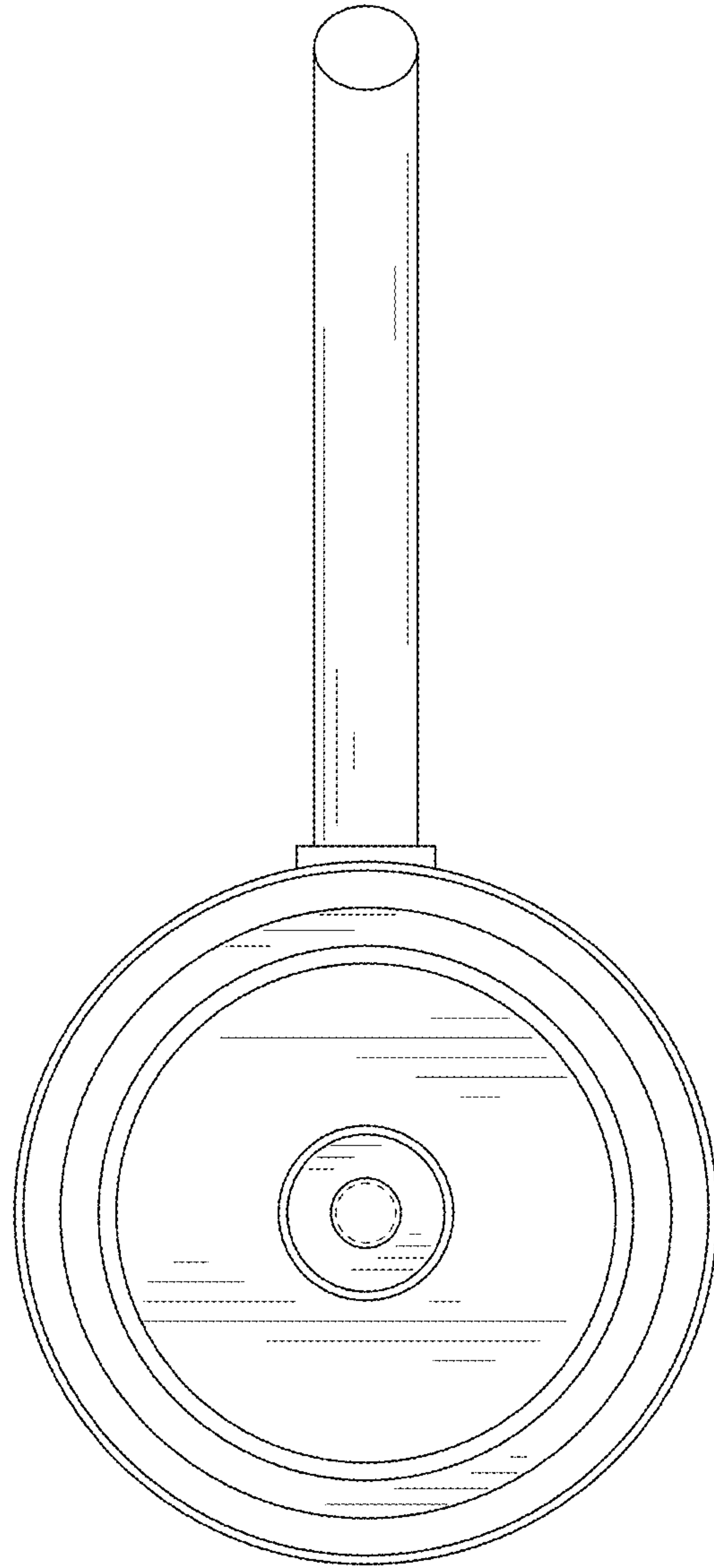


FIG. 8