



US00D910083S

(12) **United States Design Patent**  
**Fleece et al.**

(10) **Patent No.:** **US D910,083 S**

(45) **Date of Patent:** **\*\* Feb. 9, 2021**

(54) **PUMP CAP**

(71) Applicant: **Fleece Performance Engineering, Inc.**,  
Brownsburg, IN (US)

(72) Inventors: **Brayden Fleece**, North Salem, IN (US);  
**Matthew Miller**, Noblesville, IN (US)

(73) Assignee: **FLEECE PERFORMANCE**  
**ENGINEERING, INC.**, Pittsboro, IN  
(US)

(\*\*) Term: **15 Years**

(21) Appl. No.: **29/690,424**

(22) Filed: **May 8, 2019**

(51) **LOC (13) Cl.** ..... **15-02**

(52) **U.S. Cl.**  
USPC ..... **D15/7**

(58) **Field of Classification Search**  
USPC ..... D15/7, 9.1, 199; D7/300.1, 312, 313,  
D7/397; D24/108, 111, 127, 231  
CPC ..... F02M 39/00; F02M 39/005; F02M 39/02;  
F02M 49/00; F02M 49/02; F02M 49/04  
See application file for complete search history.

(56) **References Cited**

**U.S. PATENT DOCUMENTS**

D144,129 S *	3/1946	Morgan	.....	D15/5
D232,976 S *	9/1974	Ruter	.....	D15/5
4,972,875 A *	11/1990	Beer	.....	F02M 37/0017
				123/514
5,762,049 A *	6/1998	Jones	.....	F02M 37/10
				123/509
6,149,399 A *	11/2000	Bowser	.....	F02M 37/10
				123/509
6,231,318 B1 *	5/2001	Cotton	.....	B01D 35/027
				417/423.1
7,055,558 B1 *	6/2006	McGill	.....	B67D 7/3209
				137/312
D529,517 S *	10/2006	Chu	.....	D15/9

D529,930 S *	10/2006	Chu	.....	D15/9
D574,858 S *	8/2008	Chu	.....	D15/9
7,642,459 B2 *	1/2010	Motoda	.....	F02M 37/103
				174/17 VA
D678,910 S *	3/2013	Chu	.....	D15/7
D742,928 S *	11/2015	West	.....	D15/7
D808,438 S *	1/2018	Wakabayashi	.....	D15/7
D839,421 S *	1/2019	Baldauf	.....	D24/127
D865,953 S *	11/2019	Hietala	.....	D24/127
D878,426 S *	3/2020	Gernheuser	.....	D15/9

(Continued)

**OTHER PUBLICATIONS**

Fleece Performance Engineering, Lift Pump, (Feb. 15, 2019),  
Twitter.com, URL:<instagram.com/p/Bt5nnQnAGO/> (Year: 2019).\*

(Continued)

*Primary Examiner* — Sheryl Lane

*Assistant Examiner* — Mark T. Philipps

(74) *Attorney, Agent, or Firm* — Taft Stettinius &  
Hollister LLP; Stephen F. Rost

(57) **CLAIM**

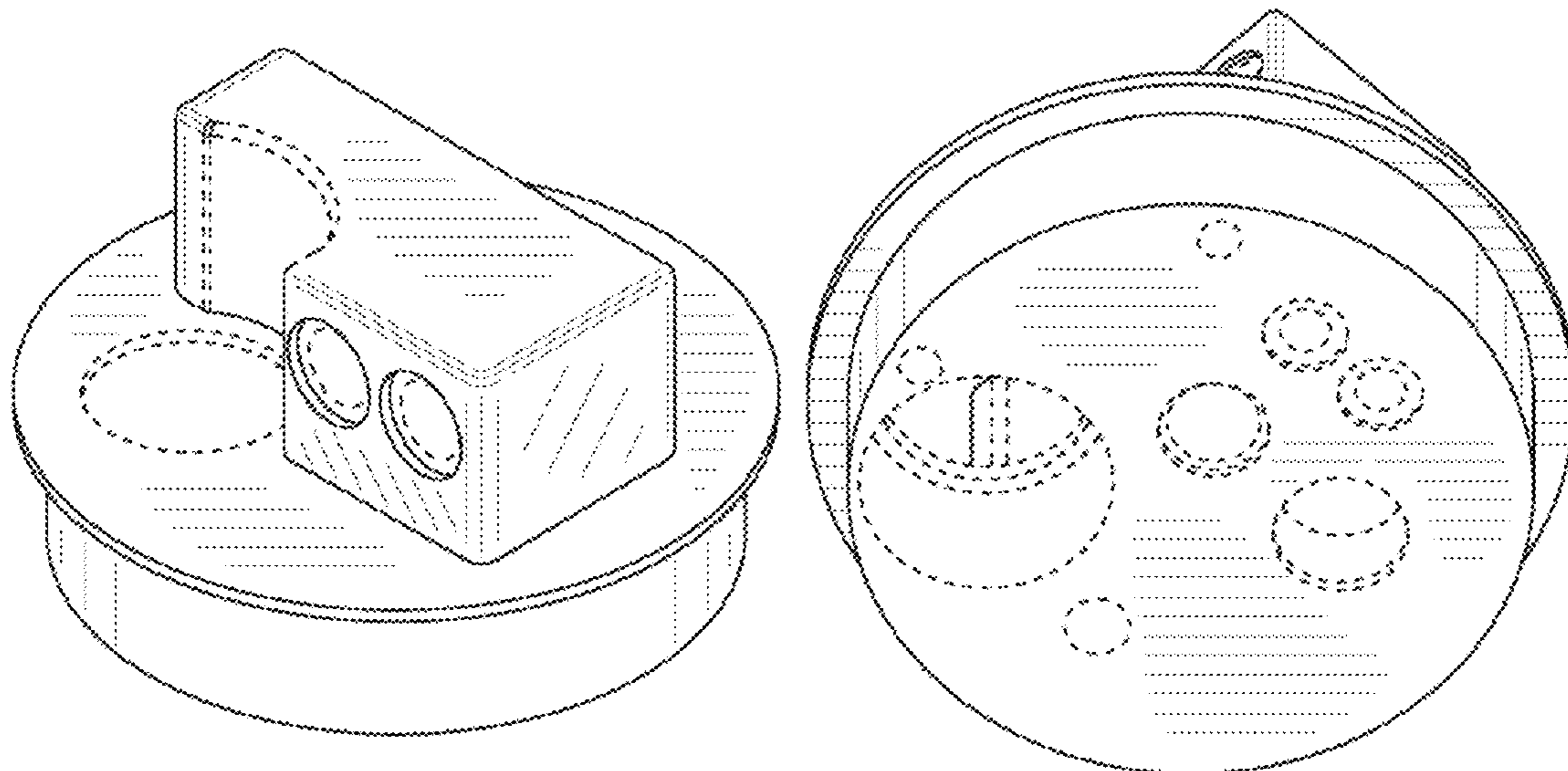
The ornamental design for a pump cap, as shown and  
described.

**DESCRIPTION**

FIG. 1 is a top, front, right perspective view of a pump cap  
shown according to the present design;  
FIG. 2 is a bottom, front, right perspective view thereof;  
FIG. 3 is a front end view thereof;  
FIG. 4 is a rear end view thereof;  
FIG. 5 is a right side elevational view thereof;  
FIG. 6 is a left side elevational view thereof;  
FIG. 7 is a top plan view thereof; and,  
FIG. 8 is a bottom plan view thereof.

The broken lines showing of the pump cap are included for  
the purpose of illustrating portions of the article and forms  
no part of the claimed design.

**1 Claim, 4 Drawing Sheets**



(56)

**References Cited**

U.S. PATENT DOCUMENTS

D884,761 S \* 5/2020 Tafe ..... D15/150  
 2006/0070941 A1 \* 4/2006 Cline ..... B01D 35/0276  
 210/416.4  
 2007/0074770 A1 \* 4/2007 Witherspoon ..... F02M 37/025  
 137/565.22  
 2009/0020468 A1 \* 1/2009 Dannenmaier ..... A61M 1/1008  
 210/232  
 2012/0000556 A1 \* 1/2012 Baek ..... F04D 5/002  
 137/565.17  
 2012/0085323 A1 \* 4/2012 Allen ..... F02M 51/04  
 123/472  
 2013/0284290 A1 \* 10/2013 Basista ..... F02M 37/106  
 137/565.01  
 2016/0016463 A1 \* 1/2016 Kimura ..... B60K 15/03  
 137/565.01  
 2016/0363103 A1 \* 12/2016 Kimura ..... F02M 51/04  
 2017/0167455 A1 \* 6/2017 Jung ..... F02M 37/50  
 2017/0268470 A1 \* 9/2017 Murakoshi ..... F02M 37/10  
 2017/0341510 A1 \* 11/2017 Kono ..... F02M 37/0076

2018/0180000 A1 \* 6/2018 Wakabayashi ..... F02M 37/0023  
 2018/0306151 A1 \* 10/2018 Laepple ..... F04B 53/16  
 2019/0024617 A1 \* 1/2019 Fukui ..... F02M 37/103  
 2019/0107089 A1 \* 4/2019 Bykowski ..... F02M 37/103  
 2019/0136810 A1 \* 5/2019 Niwa ..... F02M 37/103  
 2019/0234357 A1 \* 8/2019 Aponte Hernandez .....  
 B60K 15/03  
 2019/0331077 A1 \* 10/2019 Kato ..... F02B 77/11  
 2020/0018273 A1 \* 1/2020 Rihtar ..... B60K 15/01

OTHER PUBLICATIONS

Numerical Products, Sump Kit—Integrated Return Diesel & Gas Tank FASS AirDog for Cummins Powerstroke Duramax, (first listed Dec. 30, 2017), Amazon.com, URL:<<https://www.amazon.com/Fuel-Sump-Kit-Integrated-Powerstroke/dp/B078Q7VMMJ>> (Year: 2017).\*  
 Fleece Performance Engineering, 2004.May 2007 Duramax PowerFlo In-tank Lift Pump, (site visited Jun. 9, 2020), Fleeceperformance.com, URL:<<https://fleeceperformance.com/fuel-system/lift-pumps/2004-5-2010-duramax-powerflo-in-tank-lift-pump.html>> (Year: 2020).\*

\* cited by examiner

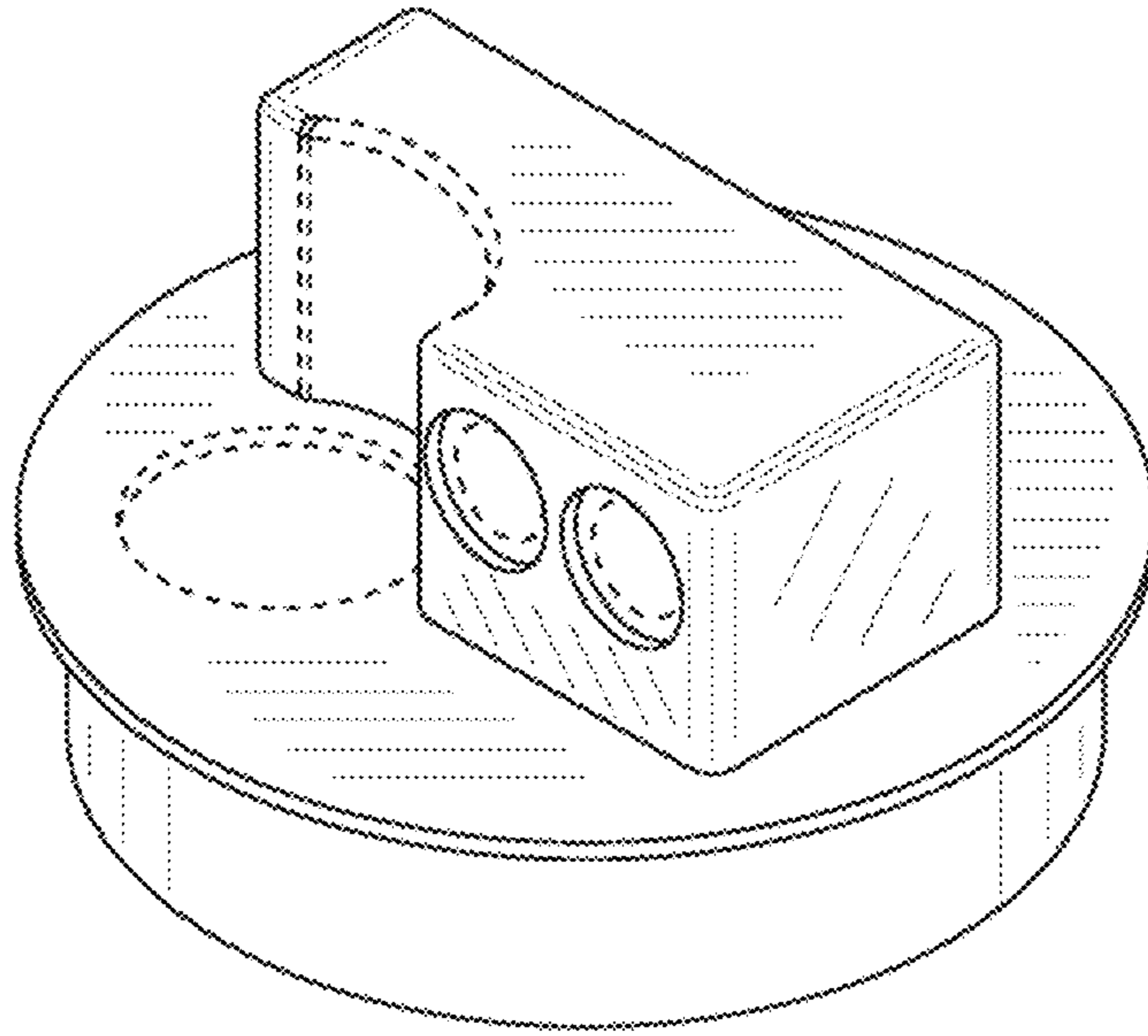


FIG. 1

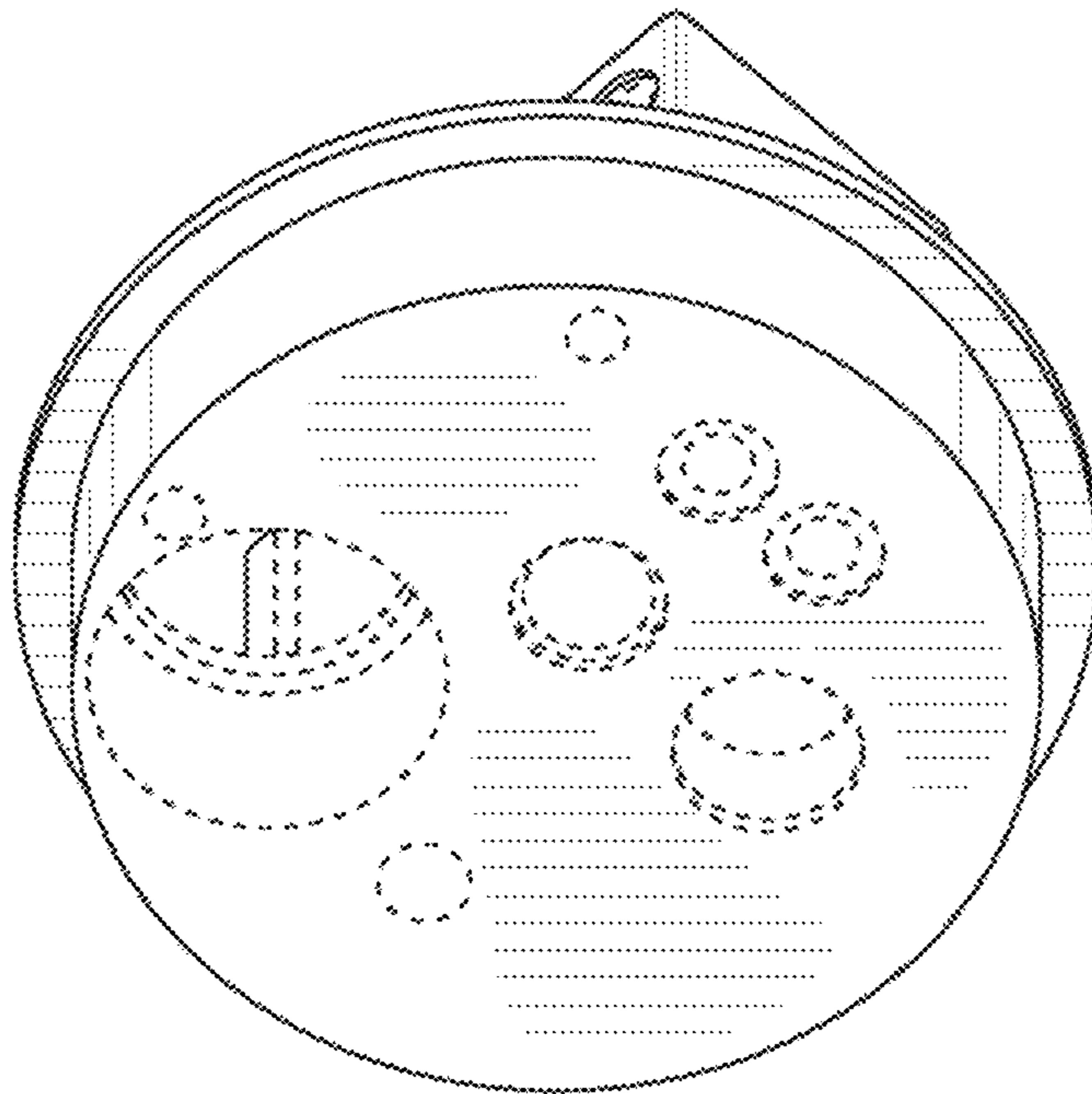


FIG. 2

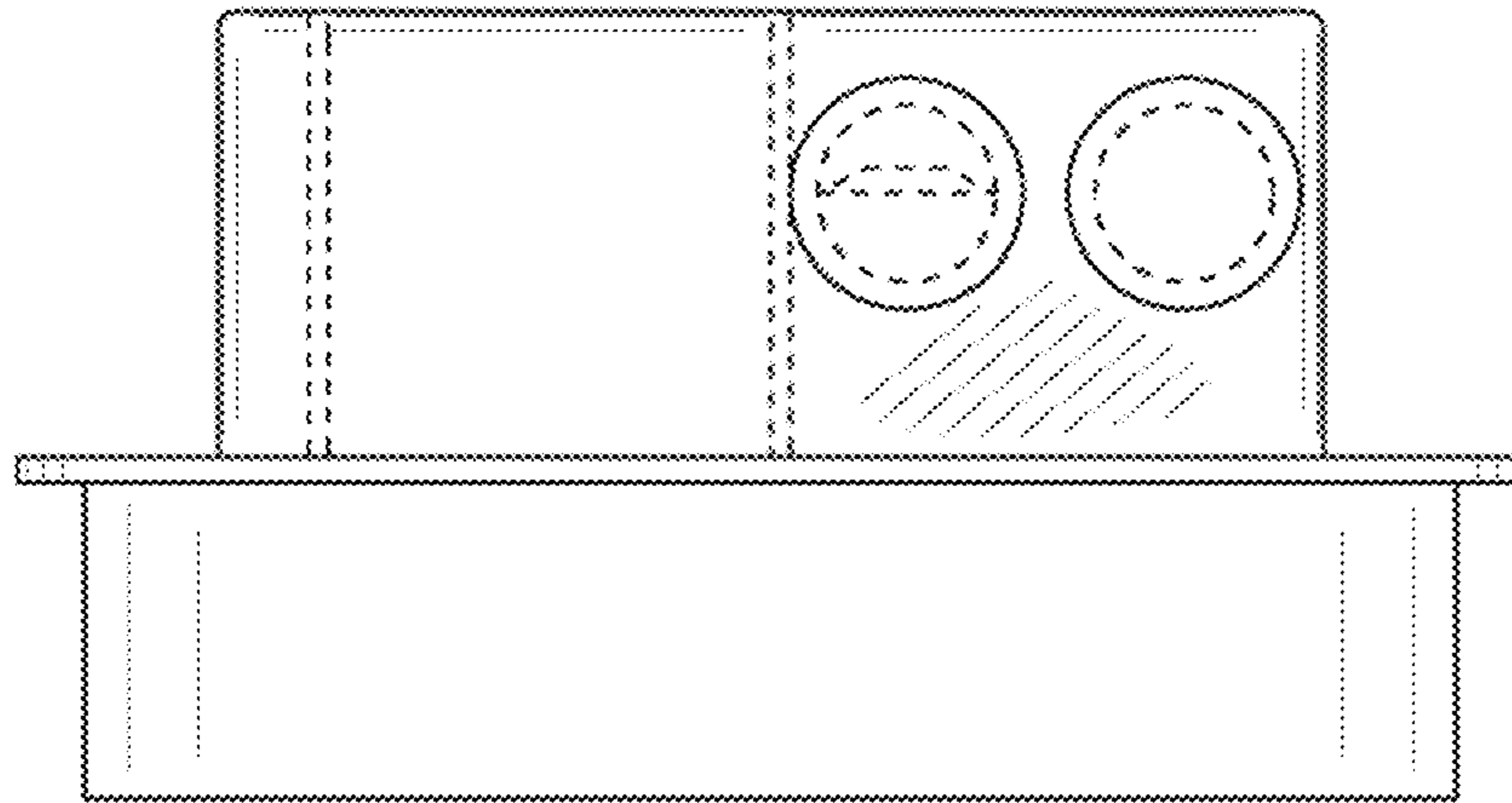


FIG. 3

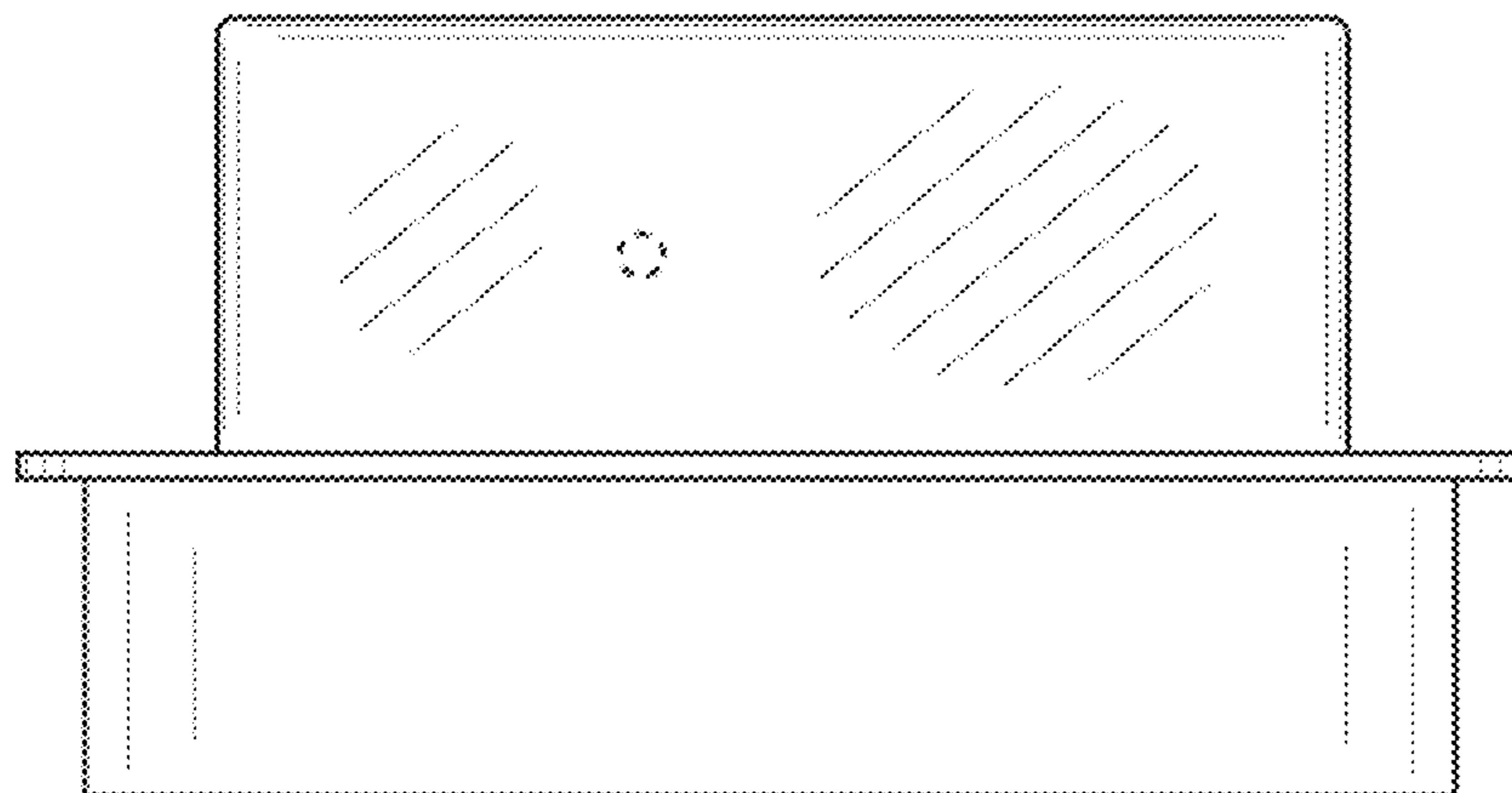


FIG. 4

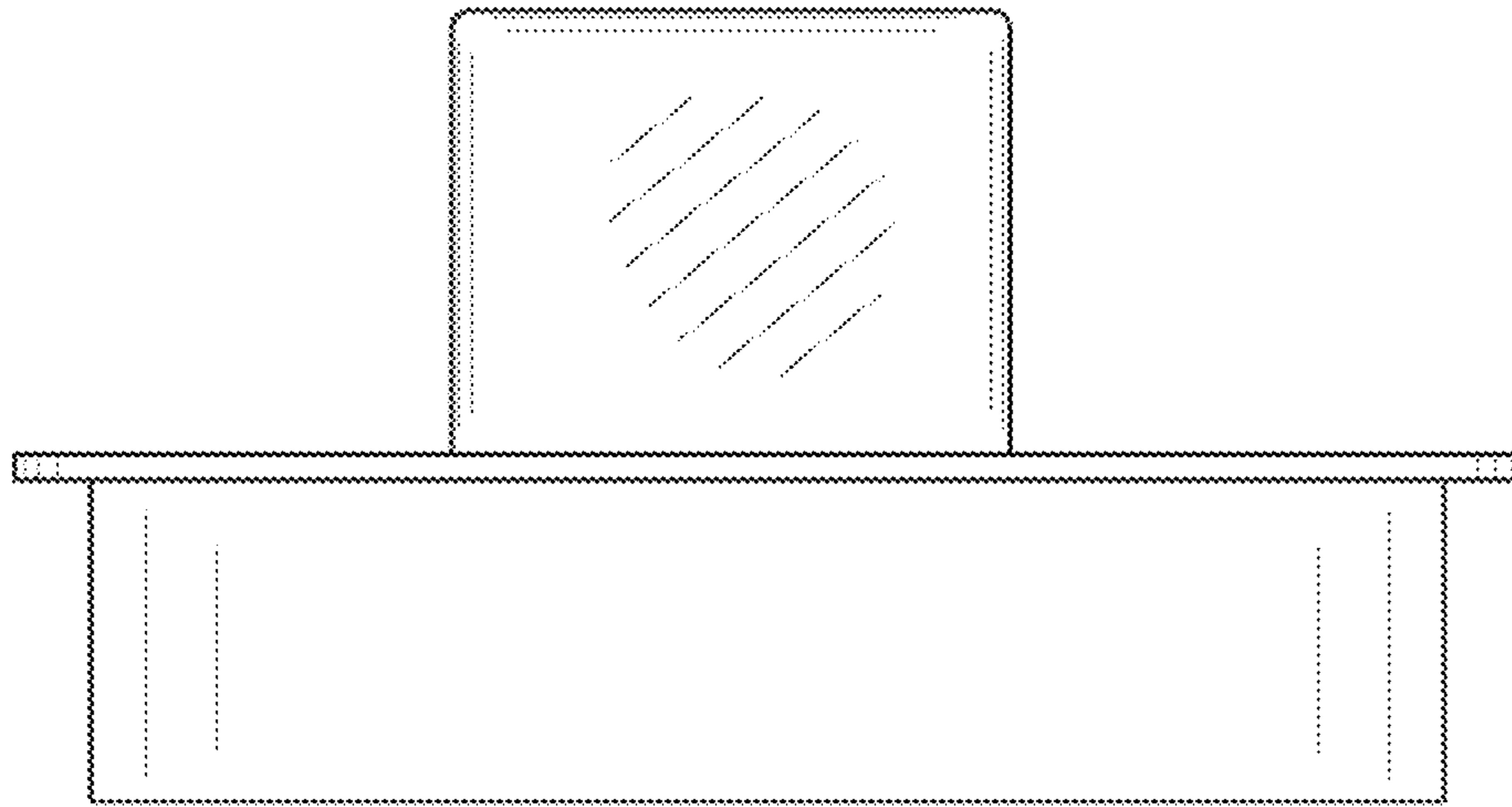


FIG. 5

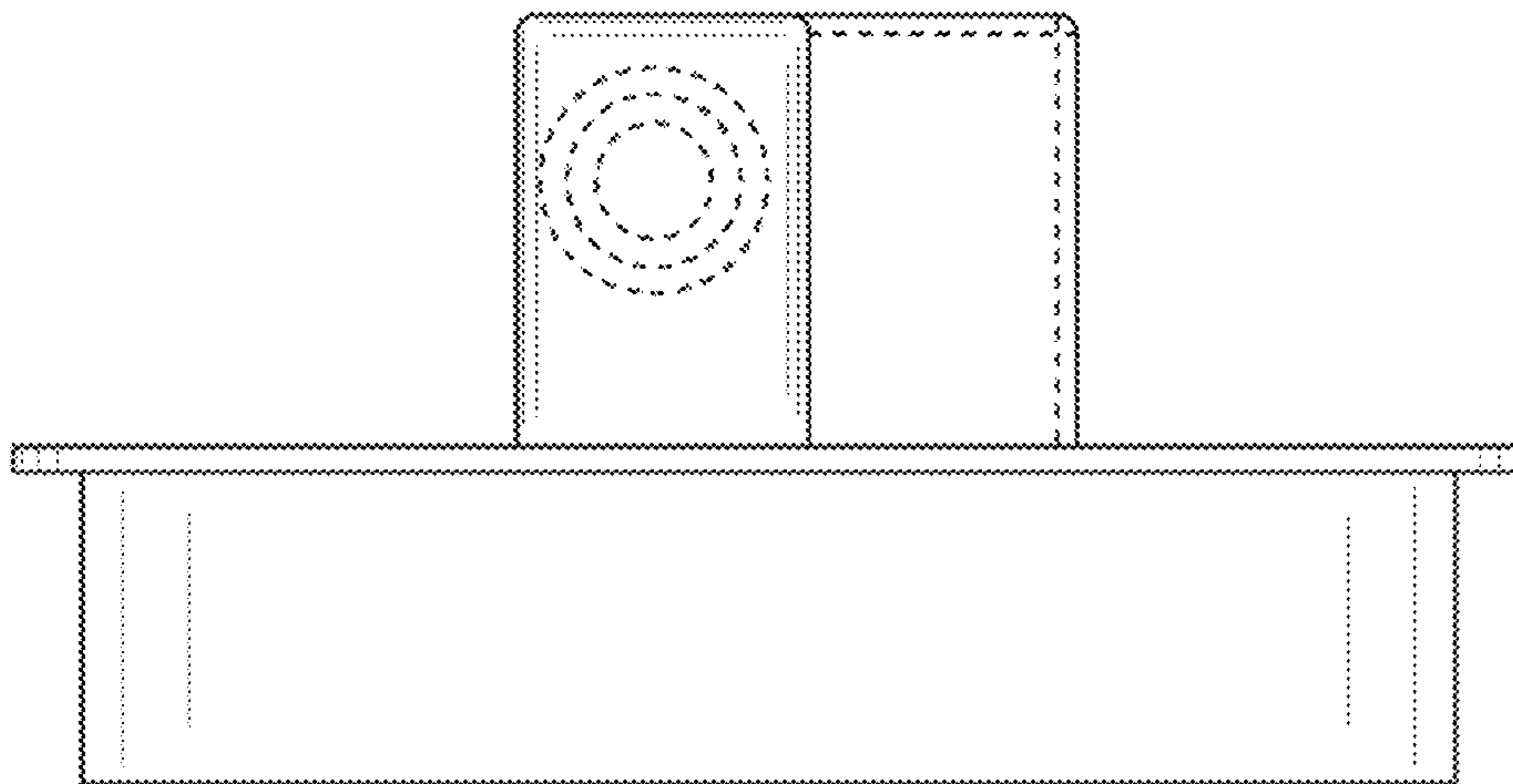


FIG. 6

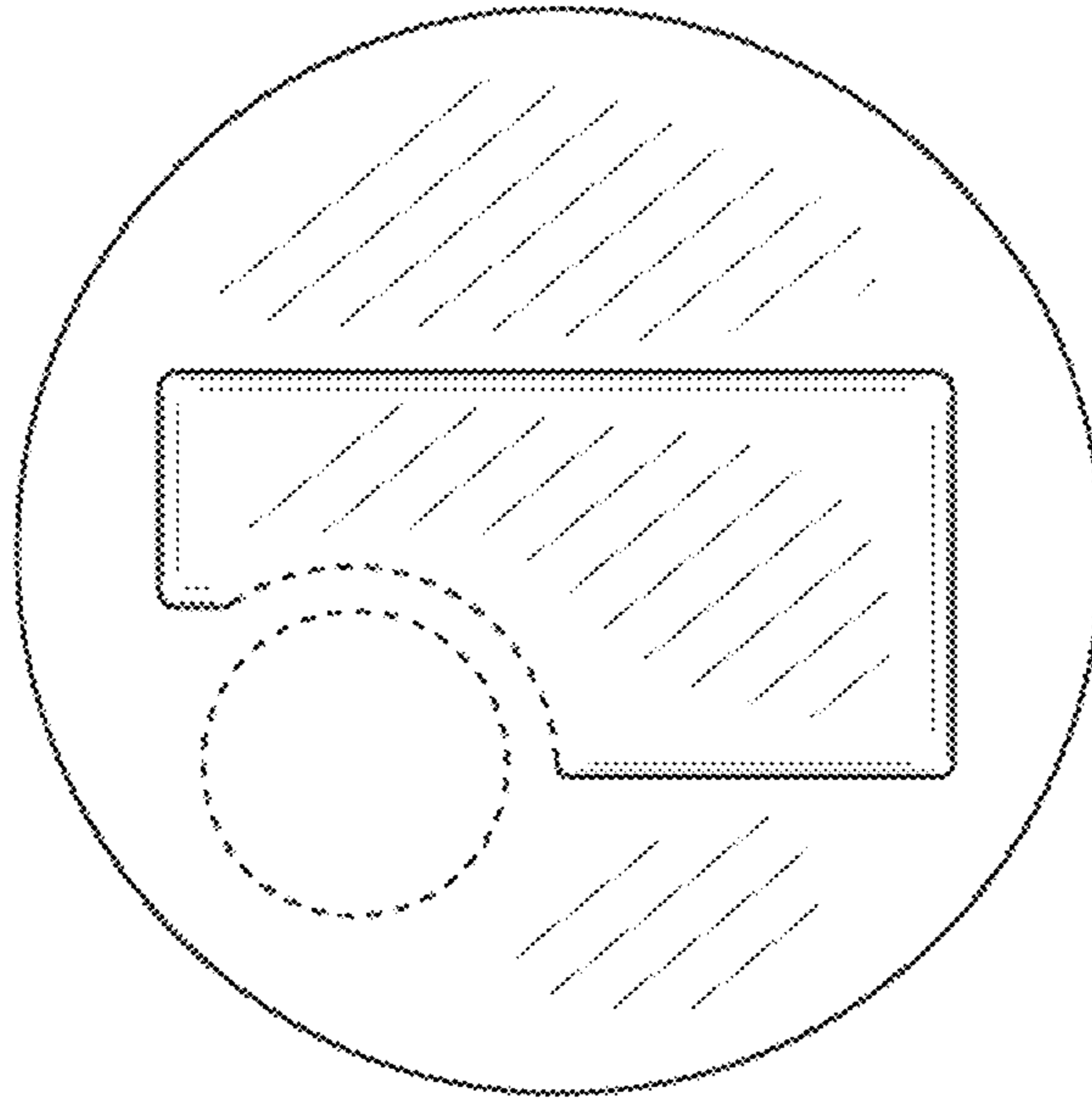


FIG. 7

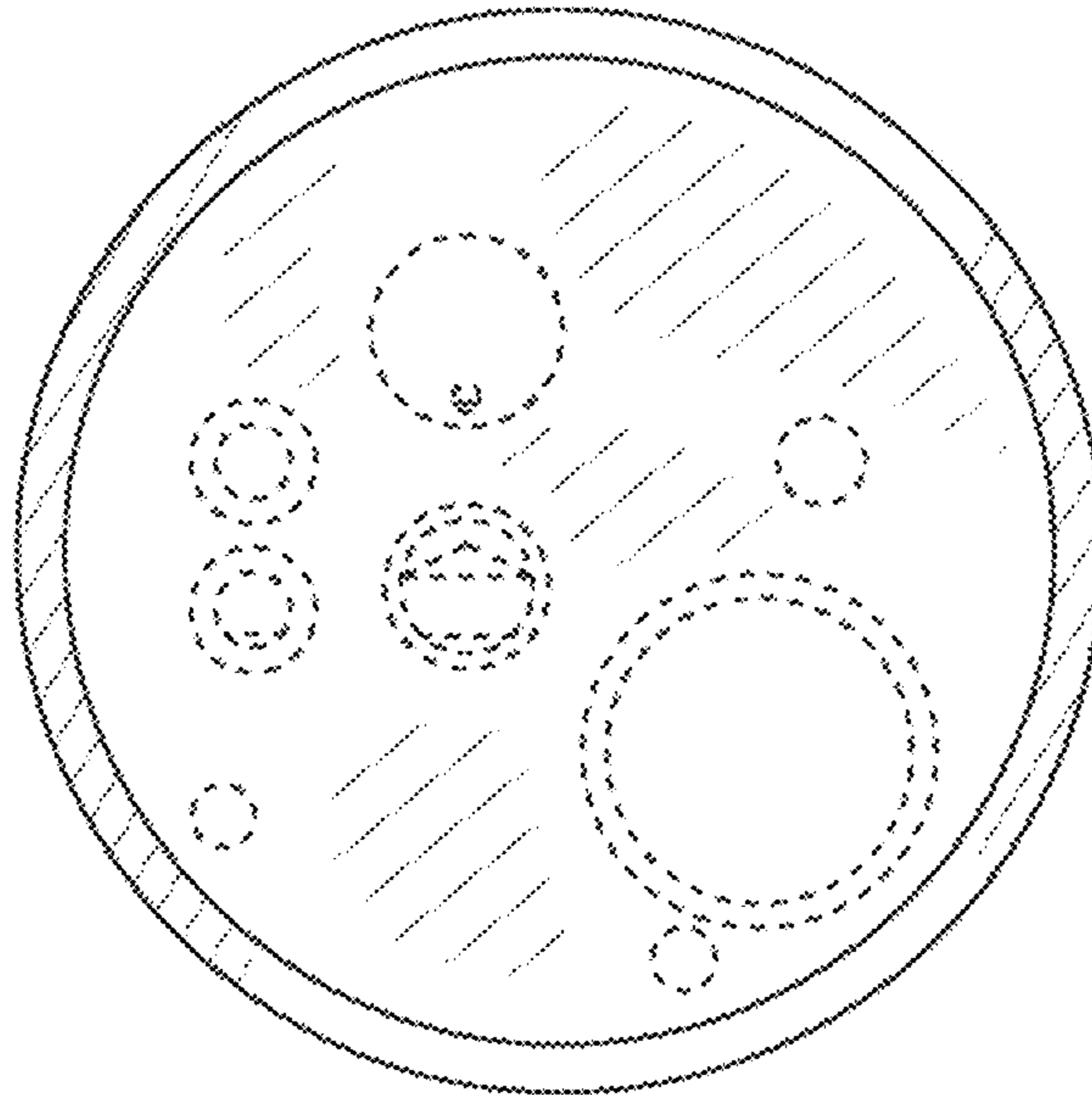


FIG. 8