



US00D910082S

(12) **United States Design Patent**
Fleece et al.

(10) **Patent No.:** **US D910,082 S**

(45) **Date of Patent:** **** Feb. 9, 2021**

(54) **PUMP CAP**

(71) Applicant: **Fleece Performance Engineering, Inc.**,
Brownsburg, IN (US)

(72) Inventors: **Brayden Fleece**, North Salem, IN (US);
Matthew Miller, Noblesville, IN (US)

(73) Assignee: **FLEECE PERFORMANCE**
ENGINEERING, INC., Pittsboro, IN
(US)

(**) Term: **15 Years**

(21) Appl. No.: **29/687,945**

(22) Filed: **Apr. 17, 2019**

(51) **LOC (13) Cl.** **15-02**

(52) **U.S. Cl.**
USPC **D15/7**

(58) **Field of Classification Search**
USPC D15/7, 9.1, 199; D7/300.1, 312, 313,
D7/397; D24/108, 111, 127, 231
CPC F02M 39/00; F02M 39/005; F02M 39/02;
F02M 49/00; F02M 49/02; F02M 49/04
See application file for complete search history.

(56) **References Cited**

U.S. PATENT DOCUMENTS

D144,129 S *	3/1946	Morgan	D15/5
D232,976 S *	9/1974	Ruter	D15/5
4,972,875 A *	11/1990	Beer	F02M 37/0017
				123/514
5,762,049 A *	6/1998	Jones	F02M 37/10
				123/509
6,149,399 A *	11/2000	Bowser	F02M 37/10
				123/509
6,231,318 B1 *	5/2001	Cotton	B01D 35/027
				417/423.1
7,055,558 B1 *	6/2006	McGill	B67D 7/3209
				137/312
D529,517 S *	10/2006	Chu	D15/9

D529,930 S *	10/2006	Chu	D15/9
D574,858 S *	8/2008	Chu	D15/9
7,642,459 B2 *	1/2010	Motoda	F02M 37/103
				174/17 VA
D678,910 S *	3/2013	Chu	D15/7
D742,928 S *	11/2015	West	D15/7
D808,438 S *	1/2018	Wakabayashi	D15/7
D839,421 S *	1/2019	Baldauf	D24/127
D865,953 S *	11/2019	Hietala	D24/127
D878,426 S *	3/2020	Gernheuser	D15/9

(Continued)

OTHER PUBLICATIONS

Fleece Performance Engineering, Lift Pump, (Feb. 15, 2019),
Twitter.com, URL:<instagram.com/p/Bt5nnQnAGO0/> (Year: 2019).*

(Continued)

Primary Examiner — Sheryl Lane

Assistant Examiner — Mark T. Philipps

(74) *Attorney, Agent, or Firm* — Taft Stettinius &
Hollister LLP; Stephen F. Rost

(57) **CLAIM**

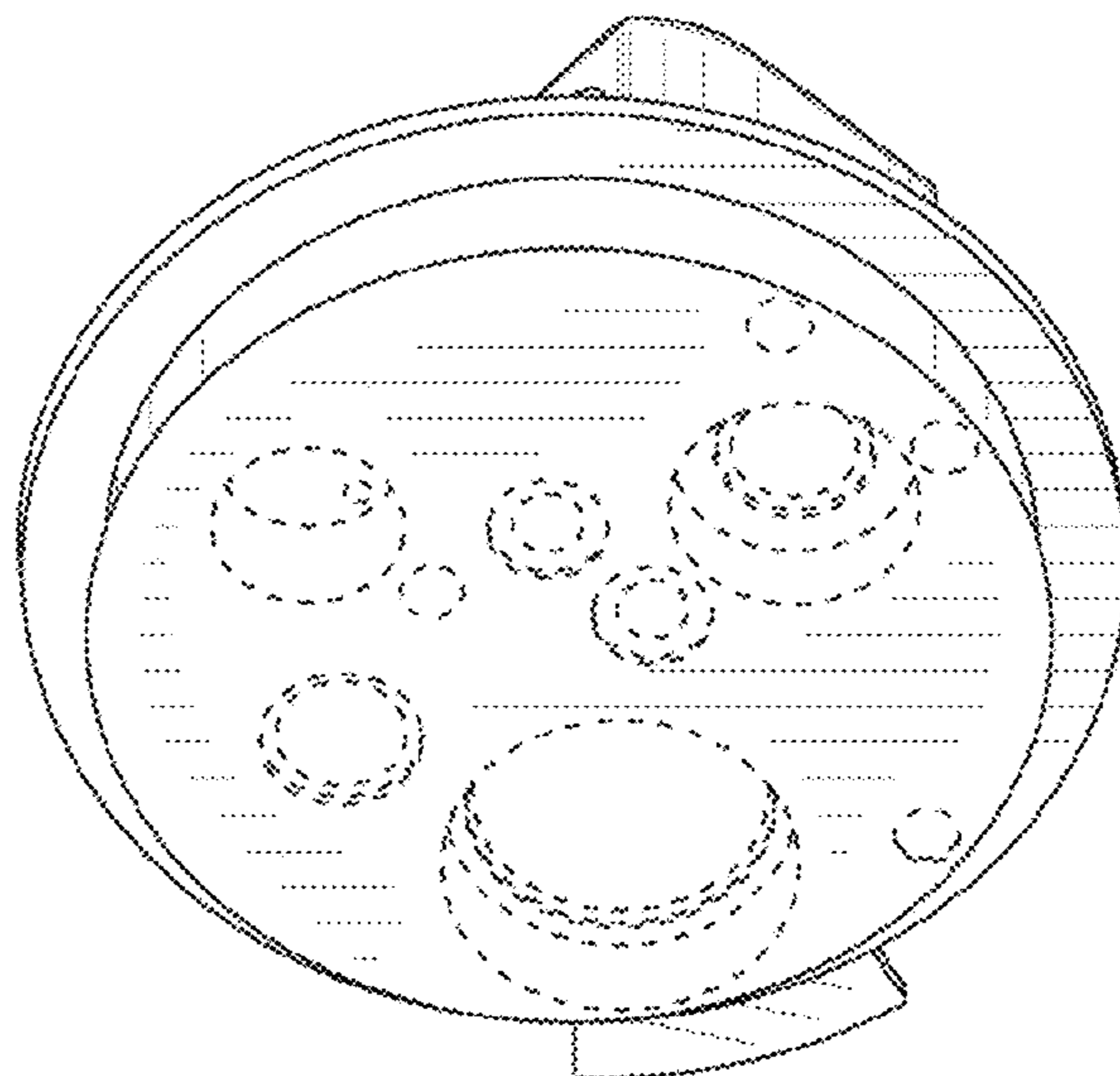
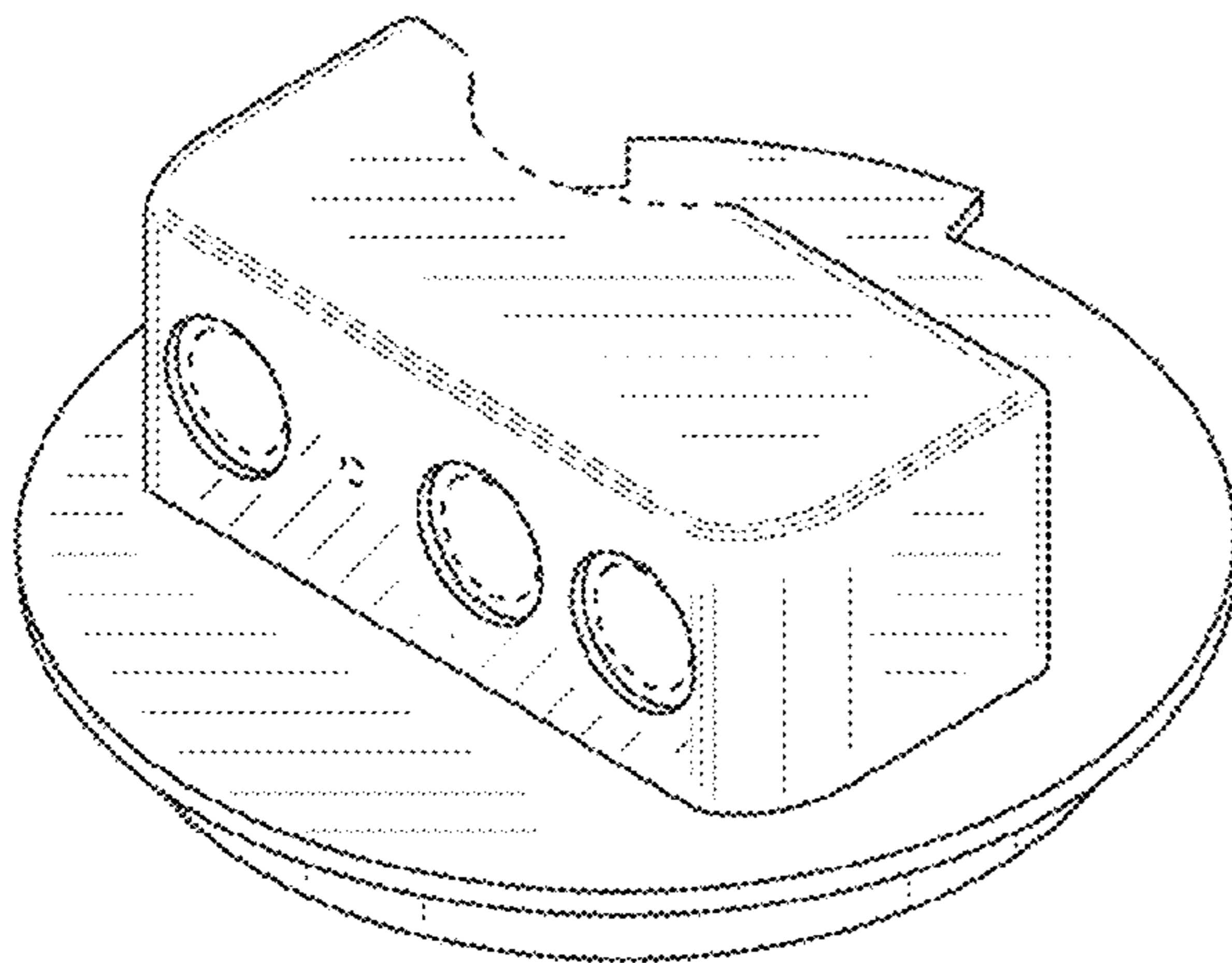
The ornamental design for a pump cap, as shown and
described.

DESCRIPTION

FIG. 1 is a top, front, right perspective view of a pump cap
shown according to the present design;
FIG. 2 is a bottom, front, right perspective view thereof;
FIG. 3 is a front end view thereof;
FIG. 4 is a rear end view thereof;
FIG. 5 is a right side elevational view thereof;
FIG. 6 is a left side elevational view thereof;
FIG. 7 is a top plan view thereof; and,
FIG. 8 is a bottom plan view thereof.

The broken lines showing of the pump cap are included for
the purpose of illustrating portions of the article and forms
no part of the claimed design.

1 Claim, 4 Drawing Sheets



(56)

References Cited

U.S. PATENT DOCUMENTS

D884,761 S * 5/2020 Tafe D15/150
 2006/0070941 A1 * 4/2006 Cline B01D 35/0276
 210/416.4
 2007/0074770 A1 * 4/2007 Witherspoon F02M 37/025
 137/565.22
 2009/0020468 A1 * 1/2009 Dannenmaier A61M 1/1008
 210/232
 2012/0000556 A1 * 1/2012 Baek F04D 5/002
 137/565.17
 2012/0085323 A1 * 4/2012 Allen F02M 51/04
 123/472
 2013/0284290 A1 * 10/2013 Basista F02M 37/106
 137/565.01
 2016/0016463 A1 * 1/2016 Kimura B60K 15/03
 137/565.01
 2016/0363103 A1 * 12/2016 Kimura F02M 51/04
 2017/0167455 A1 * 6/2017 Jung F02M 37/50
 2017/0268470 A1 * 9/2017 Murakoshi F02M 37/10
 2017/0341510 A1 * 11/2017 Kono F02M 37/0076
 2018/0180000 A1 * 6/2018 Wakabayashi F02M 37/0023

2018/0306151 A1 * 10/2018 Laepple F04B 53/16
 2019/0024617 A1 * 1/2019 Fukui F02M 37/103
 2019/0107089 A1 * 4/2019 Bykowski F02M 37/103
 2019/0136810 A1 * 5/2019 Niwa F02M 37/103
 2019/0234357 A1 * 8/2019 Aponte Hernandez
 B60K 15/03
 2019/0331077 A1 * 10/2019 Kato F02B 77/11
 2020/0018273 A1 * 1/2020 Rihtar B60K 15/01

OTHER PUBLICATIONS

Numerical Products, Sump Kit—Integrated Return Diesel & Gas Tank Fass AirDog for Cummins Powerstroke Duramax, (first listed Dec. 30, 2017), Amazon.com, URL:<<https://www.amazon.com/Fuel-Sump-Kit-Integrated-Powerstroke/dp/B078Q7VMMJ>> (Year: 2017).
 * Fleece Performance Engineering, May 2004-2007 Duramax PowerFlo In-tank Lift Pump, (site visited Jun. 9, 2020), Fleeceperformance.com, URL:<<https://fleeceperformance.com/fuel-systemn/lift-pumps/2004-May-2010-duramax-powerflo-in-tank-lift-pump.html>> (Year: 2020).*

* cited by examiner

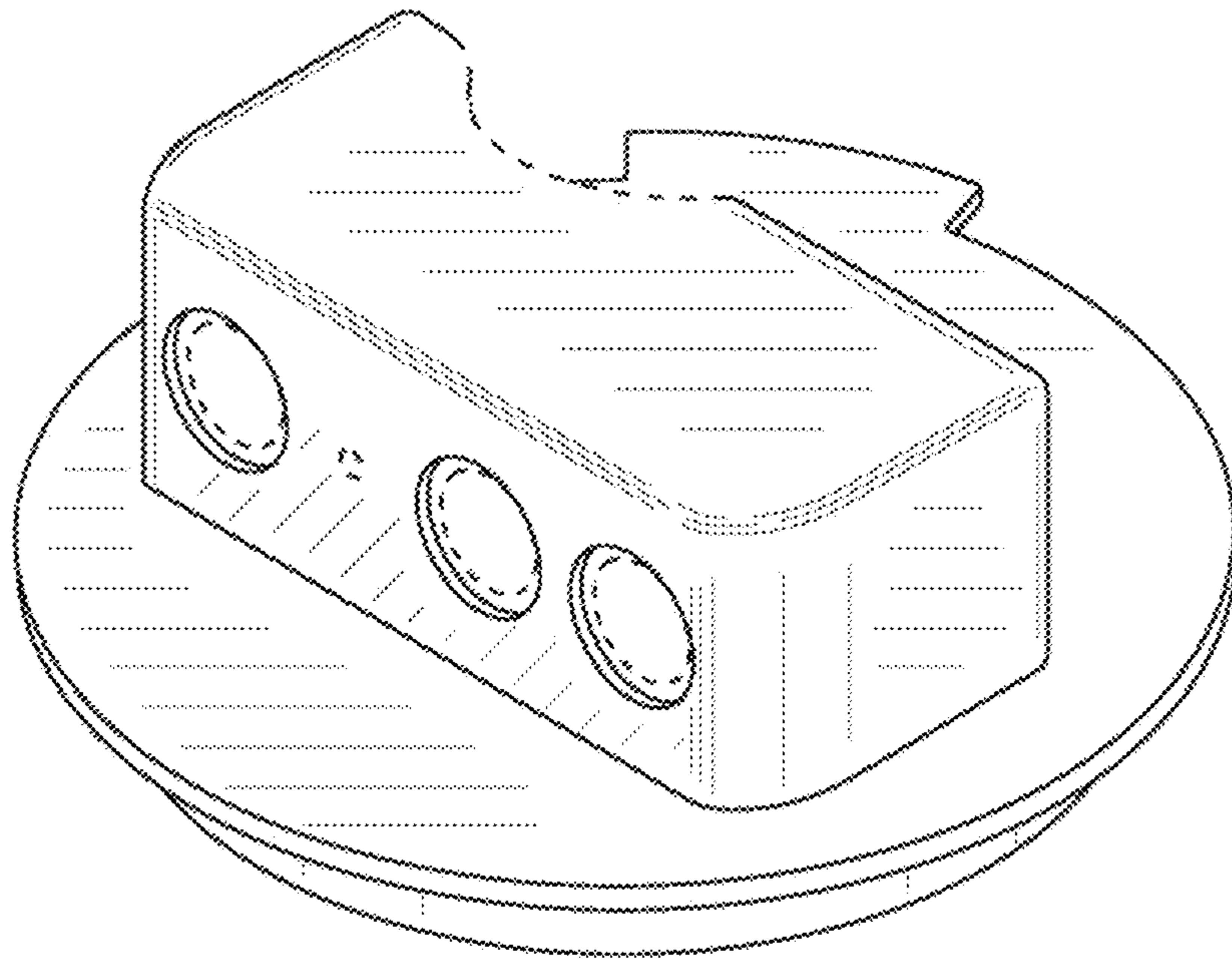


FIG. 1

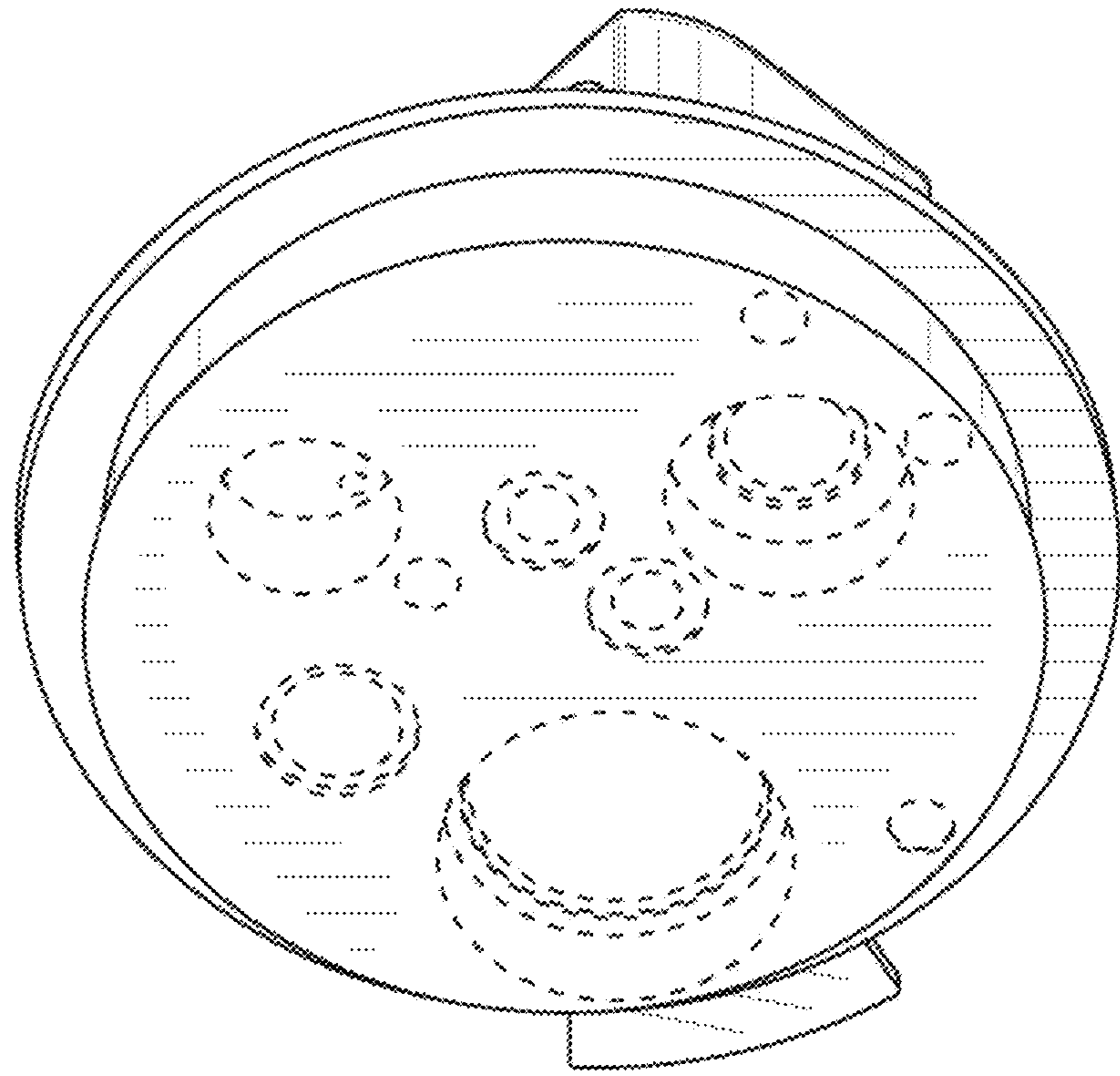


FIG. 2

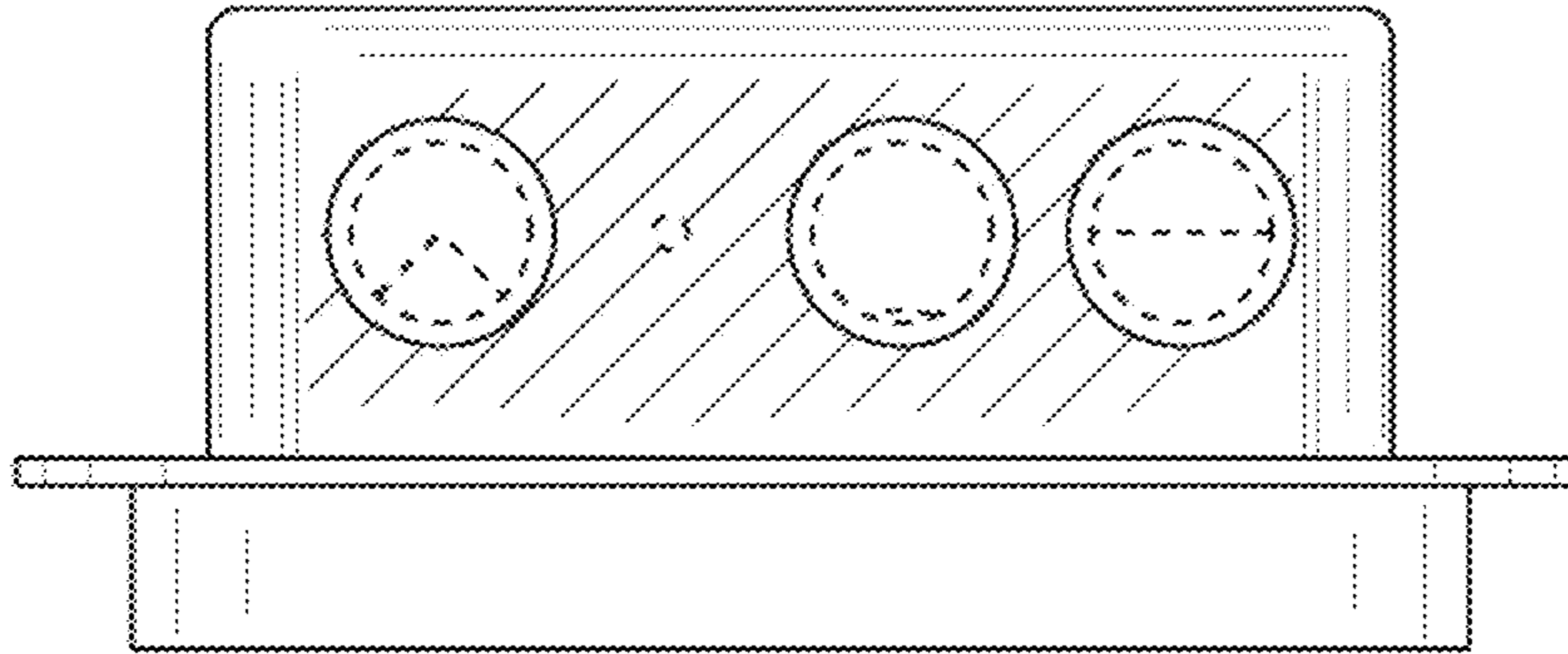


FIG. 3

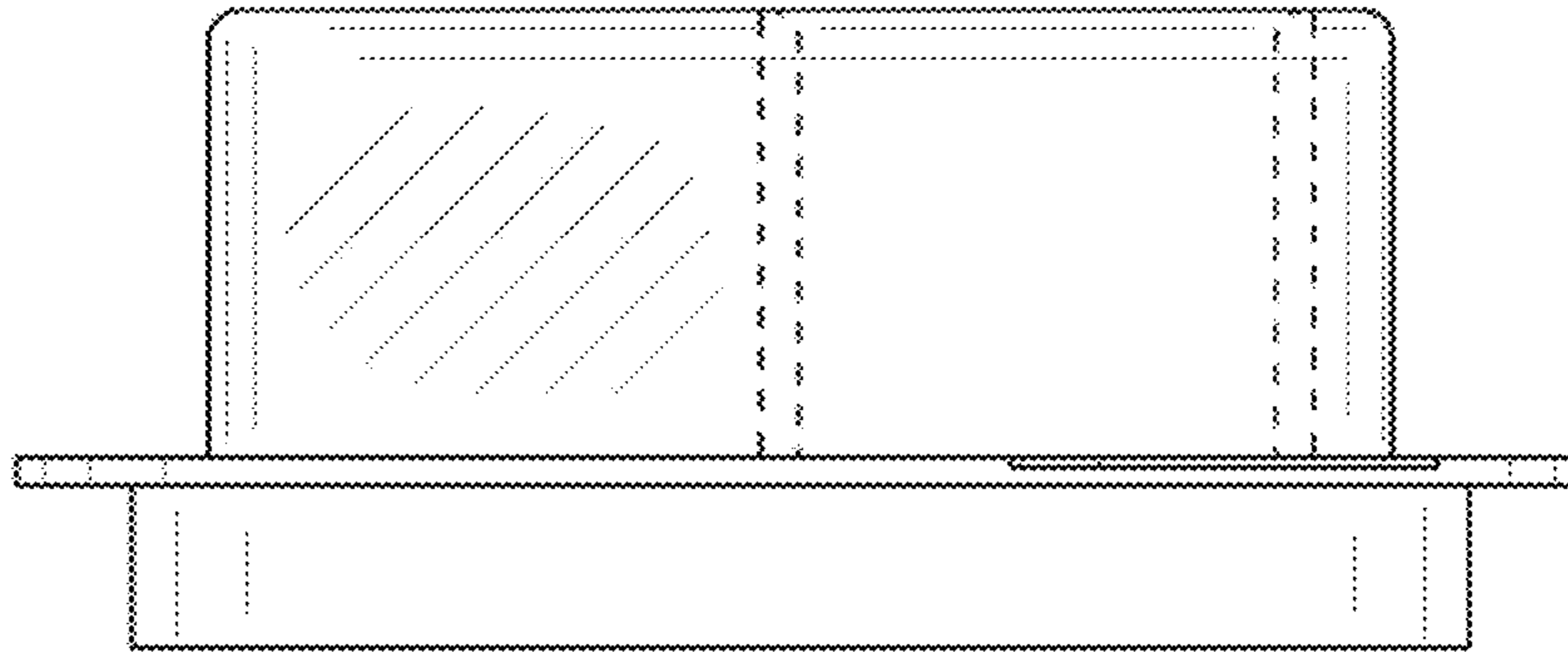


FIG. 4

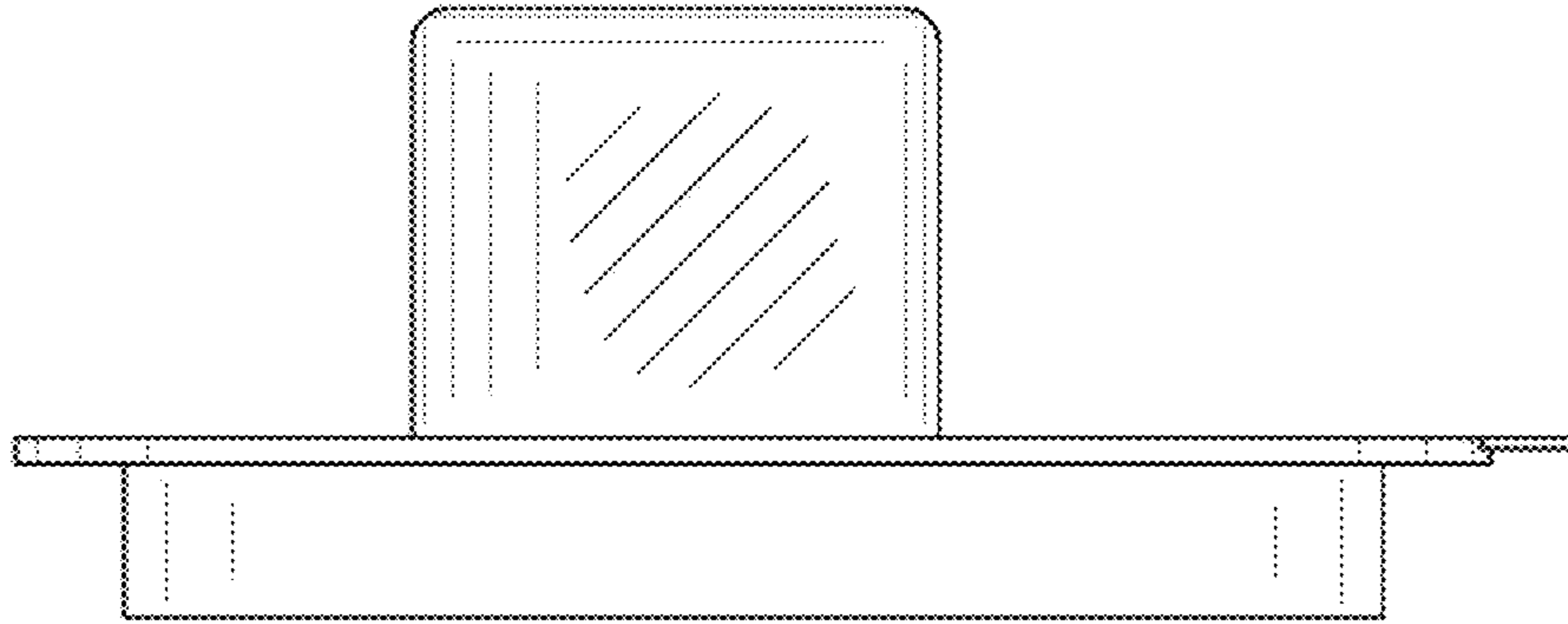


FIG. 5

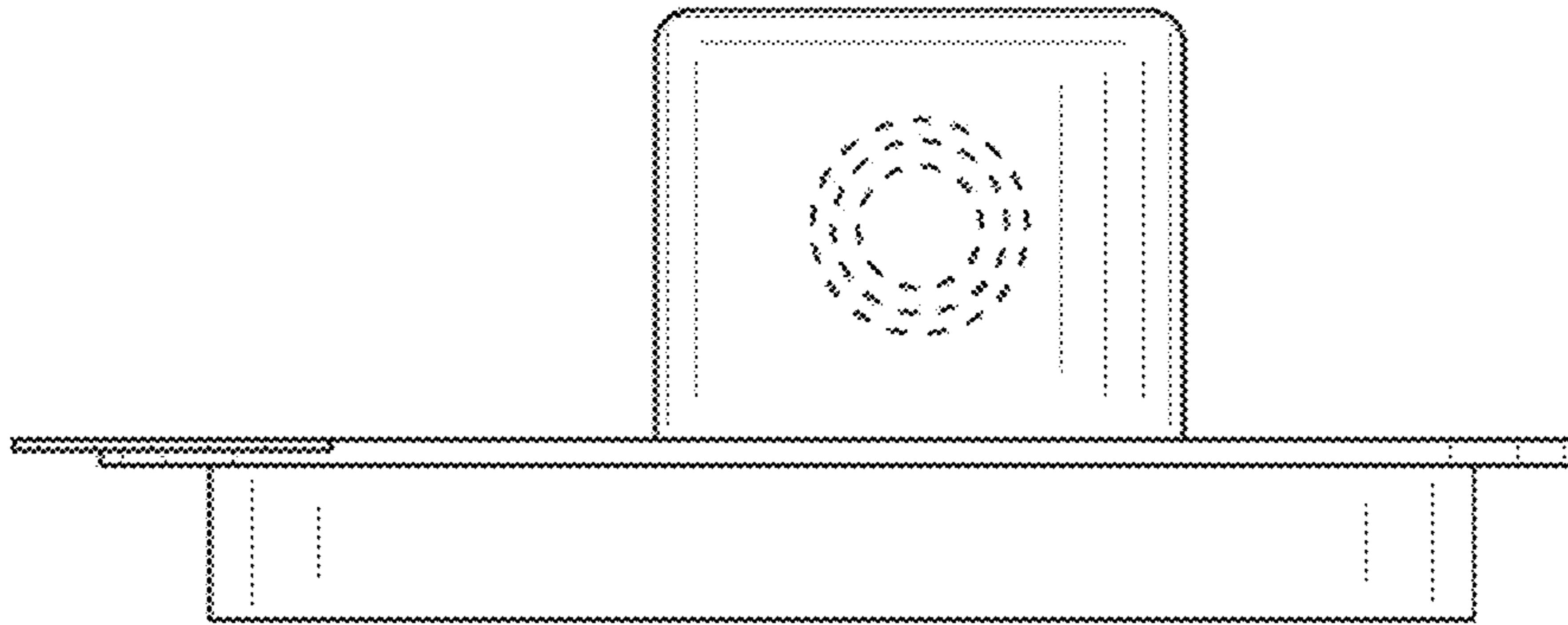


FIG. 6

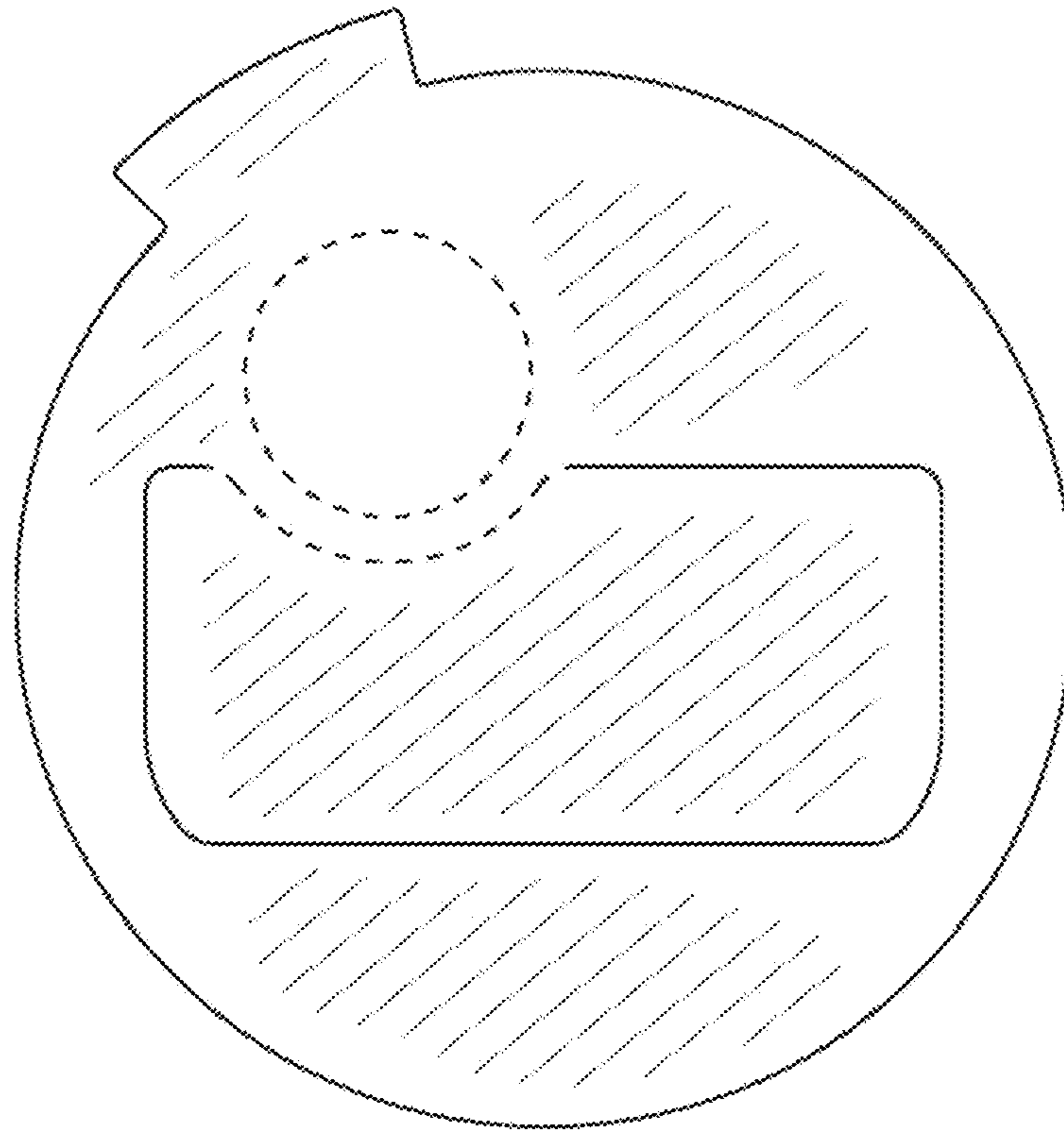


FIG. 7

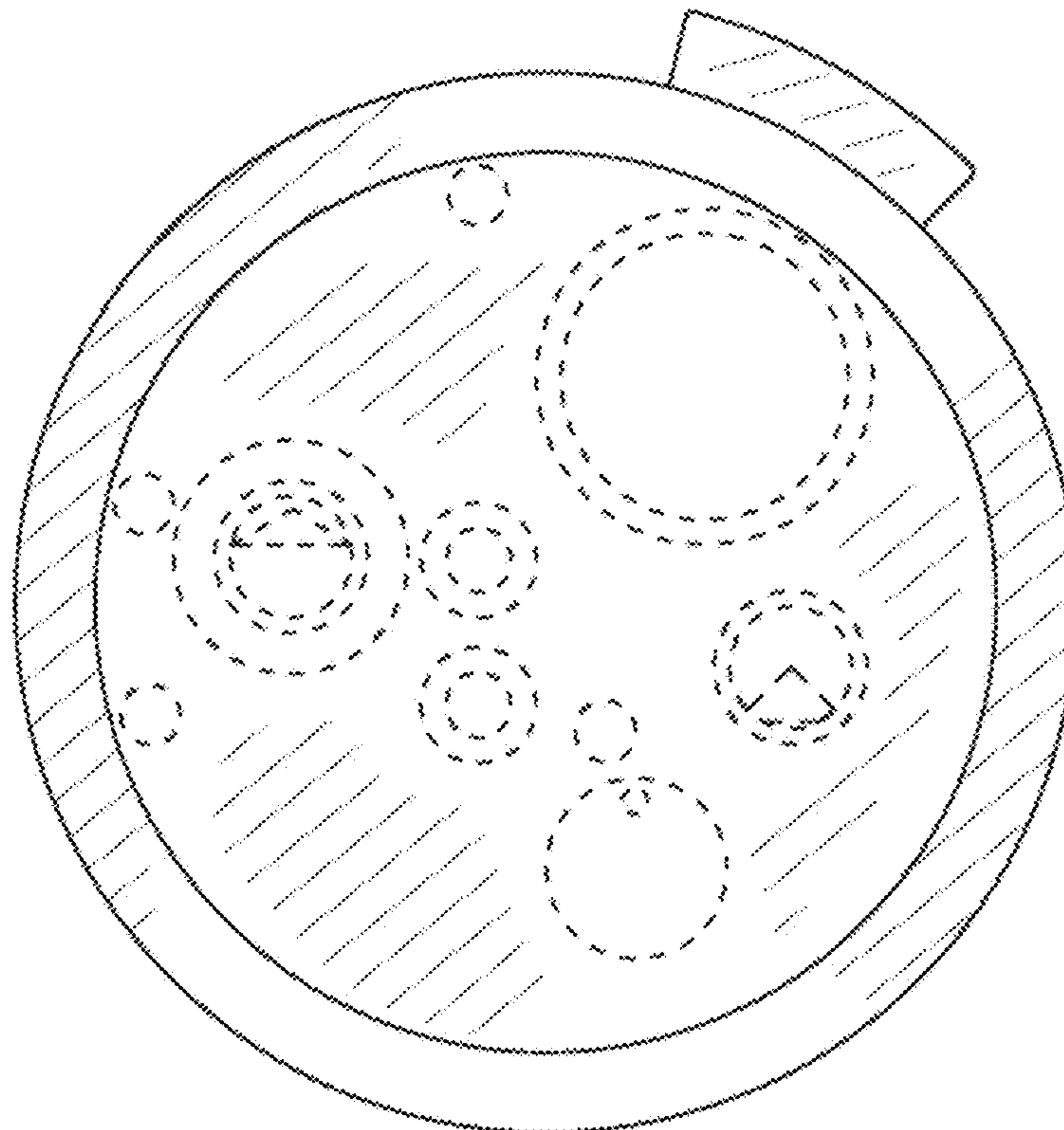


FIG. 8