



US00D910073S

(12) **United States Design Patent** (10) **Patent No.:** **US D910,073 S**  
**Lim** (45) **Date of Patent:** **\*\* Feb. 9, 2021**

- (54) **DISPLAY PANEL WITH COMPUTER ICON**
- (71) Applicant: **Osstemimplant Co., Ltd.**, Seoul (KR)
- (72) Inventor: **Oh Ju Lim**, Gyeonggi-do (KR)
- (73) Assignee: **Osstemimplant Co., Ltd.**, Seoul (KR)
- (\*\*) Term: **15 Years**
- (21) Appl. No.: **29/670,150**
- (22) Filed: **Nov. 14, 2018**
- (30) **Foreign Application Priority Data**

D740,316 S *	10/2015	Kim	.....	D14/489
D740,317 S *	10/2015	Seo	.....	D14/489
D750,116 S *	2/2016	Kim	.....	D14/486
D767,630 S *	9/2016	Yuk	.....	D14/492
D775,200 S *	12/2016	Maitlen	.....	D14/489
D779,554 S *	2/2017	Kim	.....	D14/491
D800,165 S *	10/2017	Hinze	.....	D14/492
D800,166 S *	10/2017	Hinze	.....	D14/492
D800,167 S *	10/2017	Hinze	.....	D14/492
D800,168 S *	10/2017	Hinze	.....	D14/492
D836,672 S *	12/2018	Gehiere	.....	D14/491
D845,993 S *	4/2019	Taylor	.....	D14/489
D861,033 S *	9/2019	Lyons	.....	D14/489
D863,348 S *	10/2019	Kang	.....	D14/489
D868,835 S *	12/2019	Pudipeddi	.....	D14/492
D879,142 S *	3/2020	Voiles	.....	D14/489

(Continued)

- May 16, 2018 (KR) ..... 30 2018 0022691
- (51) **LOC (13) Cl.** ..... **14-04**
- (52) **U.S. Cl.**  
USPC ..... **D14/491**
- (58) **Field of Classification Search**  
USPC ..... D14/485-495  
CPC .... G06F 3/048; G06F 3/0481; G06F 3/04817;  
G06F 3/0482; G06F 3/0483; G06F  
3/04842; G06F 3/0485; G06F 3/04855;  
G06F 3/0486; G06F 3/0488; G06F  
3/04886; G06F 9/4443; G06F 17/211;  
G06F 17/212  
See application file for complete search history.

**OTHER PUBLICATIONS**

“Two designs of wooden boxes illustration” May 8, 2017, alamy, site visited Sep. 10, 2020: <https://www.alamy.com/two-designs-of-wooden-boxes-illustration-image223484340.html> (Year: 2017).\*

(Continued)

*Primary Examiner* — Jack Reickel  
(74) *Attorney, Agent, or Firm* — Christensen, Fonder, Dardi & Herbert, PLLC; Douglas J. Christensen

(57) **CLAIM**

The ornamental design for a display panel with computer icon, as shown and described.

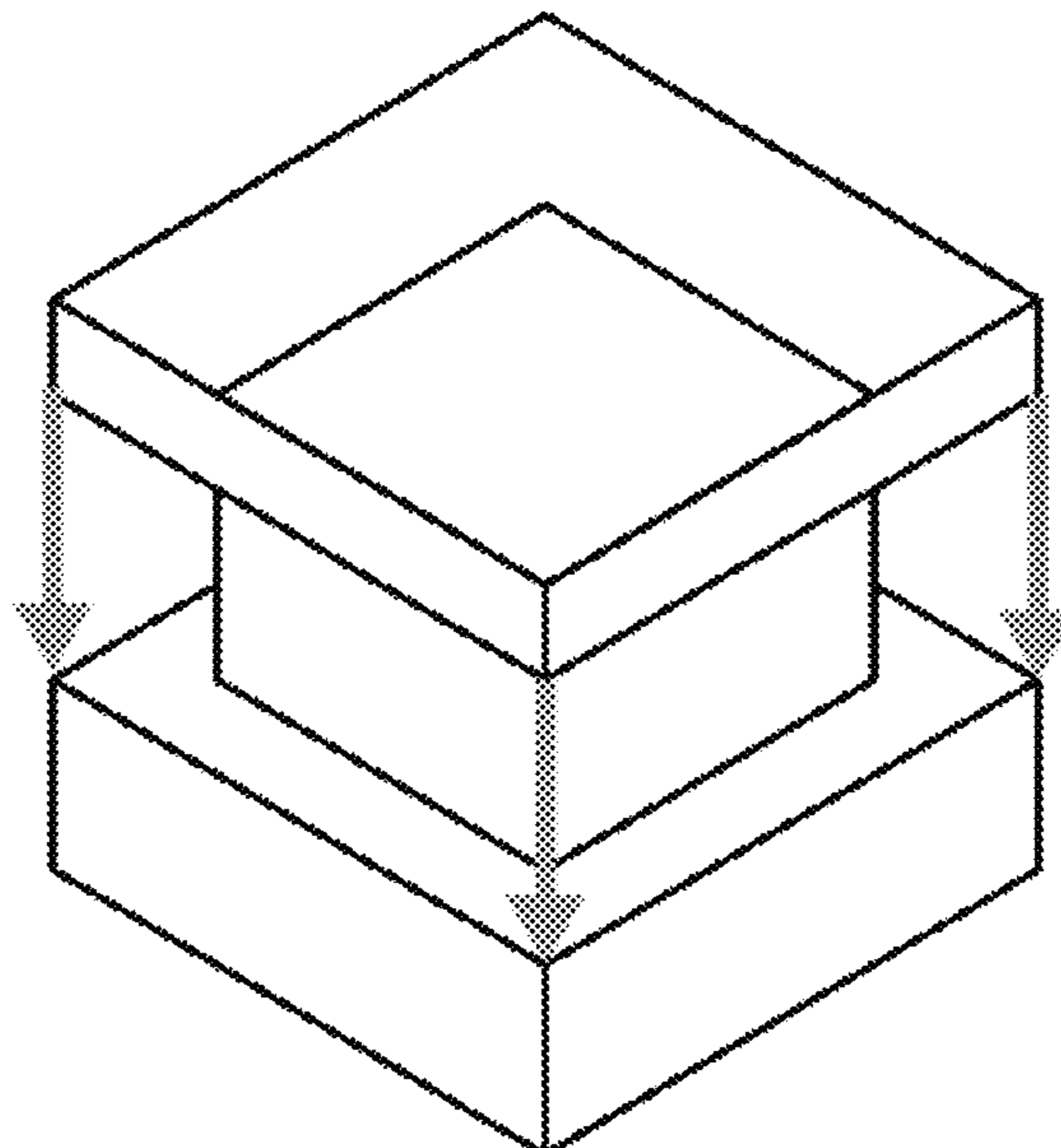
(56) **References Cited**  
U.S. PATENT DOCUMENTS

D393,840 S *	4/1998	Sakazume	.....	D14/489
D488,482 S *	4/2004	Bungert	.....	D14/489
D575,797 S *	8/2008	Nathan	.....	D14/489
D602,027 S *	10/2009	Queric	.....	D14/485
D623,657 S *	9/2010	Fitzmaurice	.....	D14/488
D628,586 S *	12/2010	Umezawa	.....	D14/492
D684,187 S *	6/2013	Ridl	.....	D14/491
D709,097 S *	7/2014	Bang	.....	D14/492

**DESCRIPTION**

FIG. 1 is a front view of a display panel with computer icon according to the claimed design; and, FIG. 2 is an enlarged front view thereof. The broken line showing of a display panel in FIG. 1 is included for the purpose of illustrating portions of the article and form no part of the claimed design.

**1 Claim, 1 Drawing Sheet**



(56)

**References Cited**

## U.S. PATENT DOCUMENTS

D884,735 S \* 5/2020 de Regt ..... D14/489  
 2016/0231883 A1 \* 8/2016 Zambetti ..... G06F 3/0362

## OTHER PUBLICATIONS

Hudson, Micah, “M7—12.4—2D Slices of Right Rectangular Prisms”  
 Feb. 29, 2016, YouTube, site visited Sep. 10, 2020: [https://www.youtube.com/watch?v=S5\\_M7vVu7g&feature=emb\\_logo](https://www.youtube.com/watch?v=S5_M7vVu7g&feature=emb_logo) (Year: 2016).\*

“Set of symbol and shapes. Trendy icons and logotypes. Business signs symbols, labels, badges, frames and borders” Apr. 6, 2017, alamy, site visited Sep. 10, 2020: <https://www.alamy.com/stock-photo-set-of-symbol-and-shapes-trendy-icons-and-logotypes-business-signs-145797850.html> (Year: 2017).\*

“Tendy illustration backgrounds, seamless pattern with abstract shapes, 80s memphis geometric style . . .” Dec. 12, 2017, alamy, site visited Sep. 10, 2020: <https://www.alamy.com/stock-image-tendy-illustration-backgrounds-seamless-pattern-with-abstract-shapes-169752740.html> (Year: 2017).\*

“Set of symbol and shapes. Trendy icons and logotypes. Business signs symbols, labels, badges, frames and borders” Apr. 6, 2017, alamy, site visited Sep. 10, 2020: <https://www.alamy.com/stock-photo-set-of-symbol-and-shapes-trendy-icons-and-logotypes-business-signs-145797377.html> (Year: 2017).\*

“Set of symbol and shapes. Trendy icons and logotypes. Business signs symbols, labels, badges, frames and borders” Apr. 6, 2017, alamy, site visited Sep. 10, 2020: <https://www.alamy.com/stock-photo-set-of-symbol-and-shapes-trendy-icons-and-logotypes-business-signs-169750896.html> (Year: 2017).\*

“Set of symbol and shapes. Trendy icons and logotypes. Business signs symbols, labels, badges, frames and borders” Apr. 6, 2017, alamy, site visited Sep. 10, 2020: <https://www.alamy.com/stock-photo-set-of-symbol-and-shapes-trendy-icons-and-logotypes-business-signs-145797415.html> (Year: 2017).\*

“Set of minimal geometric multicolor shapes. Trendy hipster icons and logotypes . . .” Jun. 27, 2017, alamy, site visited Sep. 10, 2020: <https://www.alamy.com/stock-photo-set-of-minimal-geometric-multicolor-shapes-trendy-hipster-icons-and-146884421.html> (Year: 2017).\*

\* cited by examiner

FIG. 1

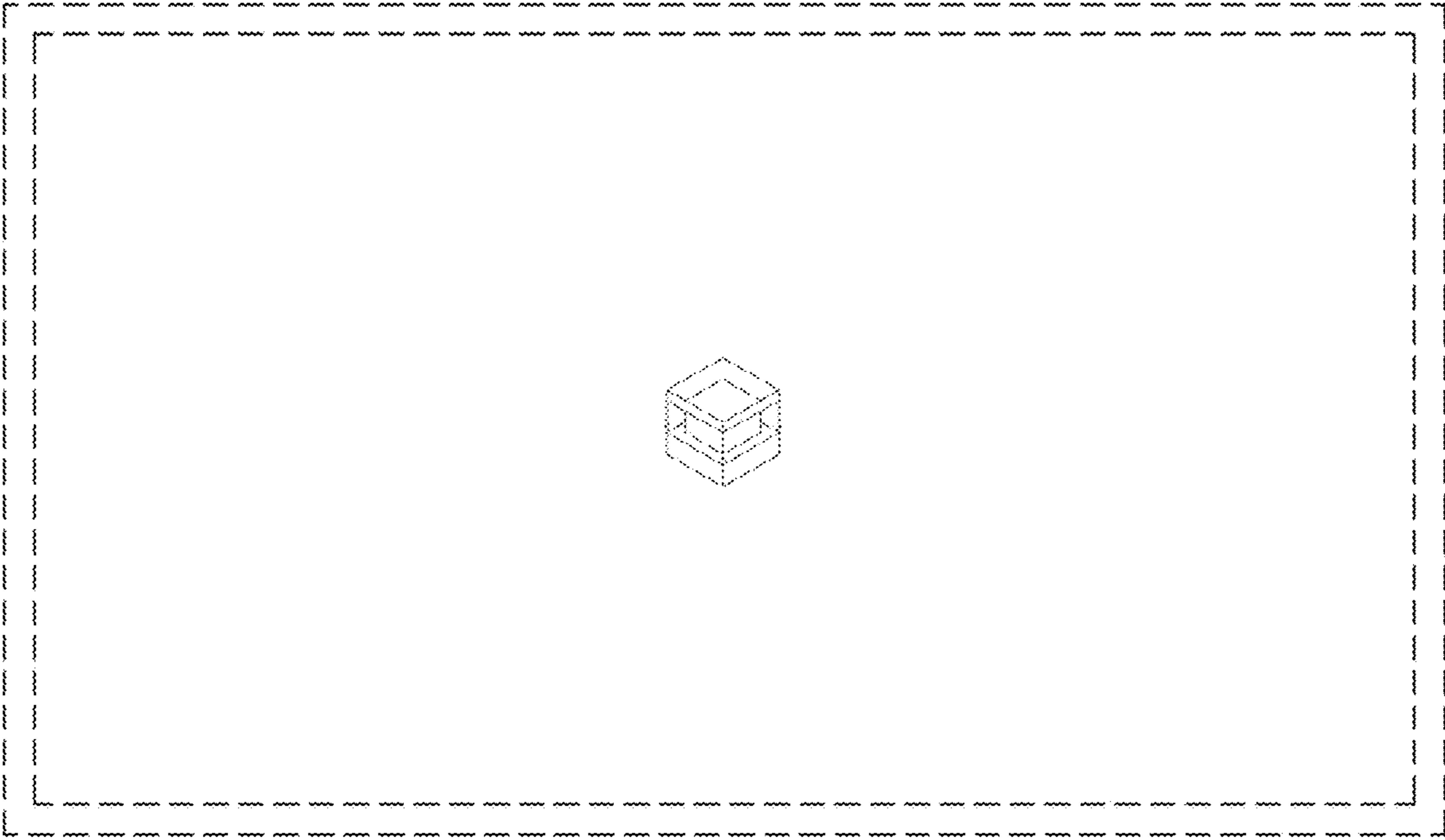


FIG. 2

