



US00D910072S

(12) **United States Design Patent** (10) **Patent No.:** **US D910,072 S**
Cazamias (45) **Date of Patent:** **** Feb. 9, 2021**

(54) **DISPLAY PANEL OR PORTION THEREOF WITH A TRANSITIONAL MIXED REALITY GRAPHICAL USER INTERFACE**

Primary Examiner — Christian P. McLean
(74) *Attorney, Agent, or Firm* — Vista IP Law Group, LLP

(71) Applicant: **MAGIC LEAP, INC.**, Plantation, FL (US)

(57) **CLAIM**

The ornamental design for a display panel or portion thereof with a transitional mixed reality graphical user interface, as shown and described.

(72) Inventor: **Jordan Alexander Cazamias**, Menlo Park, CA (US)

(73) Assignee: **Magic Leap, Inc.**, Plantation, FL (US)

DESCRIPTION

(**) Term: **15 Years**

(21) Appl. No.: **29/744,469**

(22) Filed: **Jul. 29, 2020**

FIG. 1 is a front view of a display panel or portion thereof with a transitional mixed reality graphical user interface showing a first image in a sequence of our design;

FIG. 2 is a front view of a display panel or portion thereof with a transitional mixed reality graphical user interface showing a second image in the sequence of the design thereof;

FIG. 3 is a front view of a display panel or portion thereof with a transitional mixed reality graphical user interface showing a third image in the sequence of the design thereof;

FIG. 4 is a front view of a display panel or portion thereof with a transitional mixed reality graphical user interface showing a fourth image in the sequence of the design thereof;

FIG. 5 is a front view of a display panel or portion thereof with a transitional mixed reality graphical user interface showing a fifth image in the sequence of the design thereof;

FIG. 6 is a front view of a display panel or portion thereof with a transitional mixed reality graphical user interface showing a sixth image in a sequence of a design thereof;

FIG. 7 is a front view of a display panel or portion thereof with a transitional mixed reality graphical user interface showing a seventh image in the sequence of the design thereof; and,

FIG. 8 is a front view of a display panel or portion thereof with a transitional mixed reality graphical user interface showing an eighth image in the sequence of the design thereof.

The appearance of the image in the embodiment sequentially transitions between the images shown in FIGS. 1 through 8. The process or period in which one image transitions into another forms no part of the claimed design.

Related U.S. Application Data

(62) Division of application No. 29/640,707, filed on Mar. 16, 2018, now Pat. No. Des. 894,955.

(51) **LOC (13) Cl.** **14-04**

(52) **U.S. Cl.**
USPC **D14/490**

(58) **Field of Classification Search**
USPC D14/485–495

(Continued)

(56) **References Cited**

U.S. PATENT DOCUMENTS

D563,981 S 3/2008 Montagne et al.

D642,590 S 8/2011 Jubelirer et al.

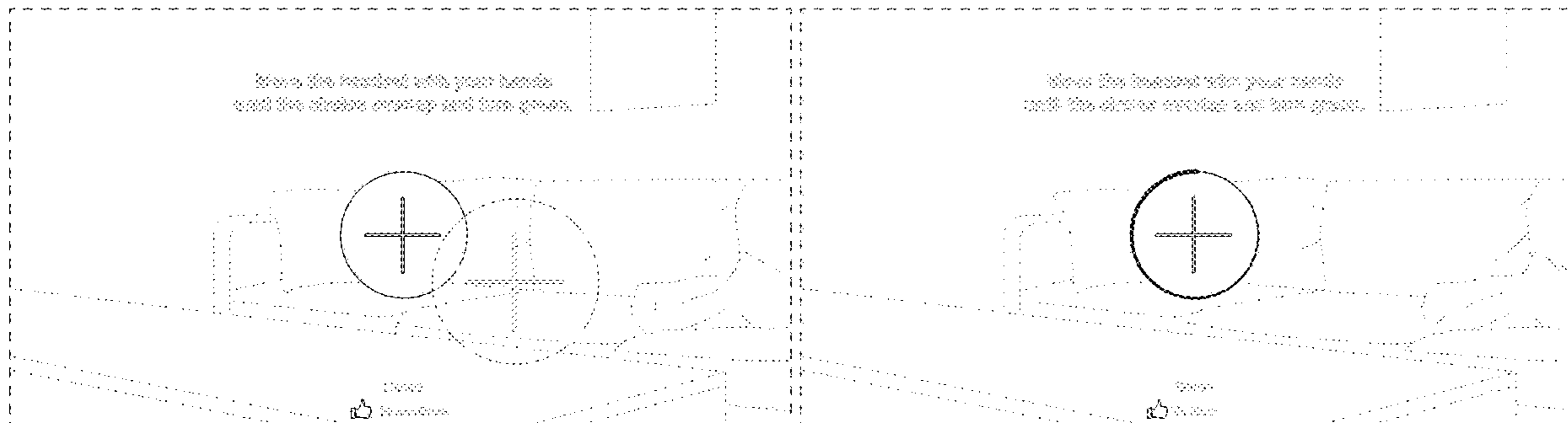
(Continued)

OTHER PUBLICATIONS

U.S. Trademark Serial No. 88742225 to Schweizer, Tilen Tercelej. Filed Dec. 30, 2019. Accessed Sep. 25, 2020. Available online via Trademark Electronic Search System (TESS) at <https://www.uspto.gov/trademarks-application-process/search-trademark-database>. (Year: 2019).*

(Continued)

(Continued)



The outermost broken line rectangle illustrates a display panel or portion thereof that forms no part of the claimed design. The remaining broken lines illustrate portions of the graphical user interface or a mixed reality environment and form no part of the claimed design.

1 Claim, 8 Drawing Sheets

(58) Field of Classification Search

CPC G06F 3/048; G06F 3/0481; G06F 3/04812; G06F 3/04817; G06F 3/0482; G06F 3/0483; G06F 3/0484; G06F 3/04847; G06F 3/0485; G06F 3/04855; G06F 3/04886; G06Q 30/00; H03J 1/00; H03J 1/0008; H03J 1/0016; H03J 1/0025; H04N 5/00; H04N 5/08; H04N 5/14; H04N 5/222; H04N 5/225; H04N 5/232; H04N 5/445; H04N 5/44543; H04N 5/45; H04N 2005/44517; H04N 2005/44521; H04N 2005/44526; H04N 2005/4453; H04N 2005/44534; H04N 2005/44539; H04N 2005/44547; H04N 2005/44556; H04N 2005/4456; H04N 2005/44565; H04N 2005/44569; H04N 2005/44573; H04N 21/00; H04N 21/234; H04N 21/431; H04N 21/4312; H04N 21/4314; H04N 21/4316

See application file for complete search history.

(56)

References Cited

U.S. PATENT DOCUMENTS

D667,423 S	9/2012	Nagamine	
D669,497 S *	10/2012	Lee	D14/489
D682,289 S	5/2013	Dijulio et al.	
D706,288 S	6/2014	Harre	
D712,914 S	9/2014	Lee et al.	
D729,836 S	5/2015	Lee	
D731,540 S *	6/2015	Kadosh	D14/489
D731,550 S *	6/2015	Kim	D14/494
D745,050 S *	12/2015	Kwon	D14/490
D752,058 S	3/2016	Kim et al.	
D754,677 S	4/2016	Takizawa et al.	

D757,047 S *	5/2016	Cornwell	D14/485
D759,117 S *	6/2016	Liang	D14/494
D763,289 S *	8/2016	Mistry	D14/486
D763,308 S *	8/2016	Wang	D14/488
D777,785 S *	1/2017	Kim	D14/494
D786,898 S *	5/2017	Hall	D14/486
D795,294 S	8/2017	Faulkner et al.	
D797,138 S	9/2017	Reiter et al.	
D801,998 S	11/2017	Im et al.	
D827,655 S	9/2018	Wang et al.	
D832,283 S	10/2018	Tellis et al.	
D845,315 S *	4/2019	Malahy	D14/485
D845,969 S *	4/2019	Malahy	D14/485
D847,846 S	5/2019	Peloquin	
D858,567 S *	9/2019	Bacchus	D14/488
D859,423 S	9/2019	Kimura	
D860,221 S	9/2019	Jeon et al.	
D860,234 S	9/2019	Li et al.	
D864,215 S *	10/2019	Ciccarelli	D14/485
D864,241 S	10/2019	Migliucci	
D864,994 S	10/2019	Cornell	
D865,807 S	11/2019	Pazmino et al.	
D868,828 S	12/2019	Lee	
D878,420 S *	3/2020	Dedonato	D14/495
D879,138 S	3/2020	Zurmoehle et al.	
D880,497 S *	4/2020	Boyd	D14/485
D882,615 S	4/2020	Dye et al.	
D887,440 S *	6/2020	Goodfriend	D14/488
D888,757 S *	6/2020	Yan	D14/488
D888,758 S *	6/2020	Yan	D14/488
D889,485 S *	7/2020	Yan	D14/485
D892,153 S	8/2020	Wheeler et al.	
D892,836 S	8/2020	Wheeler et al.	
D893,533 S *	8/2020	Wheeler	D14/486

OTHER PUBLICATIONS

“Plus icon vector isolated on white background, Plus sign—Stock Illustration.” depositphotos.com. Sep. 4, 2018. Accessed Sep. 25, 2020. Available online at URL: <https://depositphotos.com/337335030/stock-illustration-plus-icon-vector-isolated-on.html> (Year: 2018).*

“Hand cursor index with add pluss [sic] symbol—Stock Illustration.” depositphotos.com. May 16, 2019. Accessed Sep. 25, 2020. Available online at URL: <https://depositphotos.com/268771890/stock-illustration-hand-cursor-index-with-add.html> (Year: 2019).*

Notice of Allowance for U.S. Appl. No. 29/744,451 dated Oct. 7, 2020.

* cited by examiner

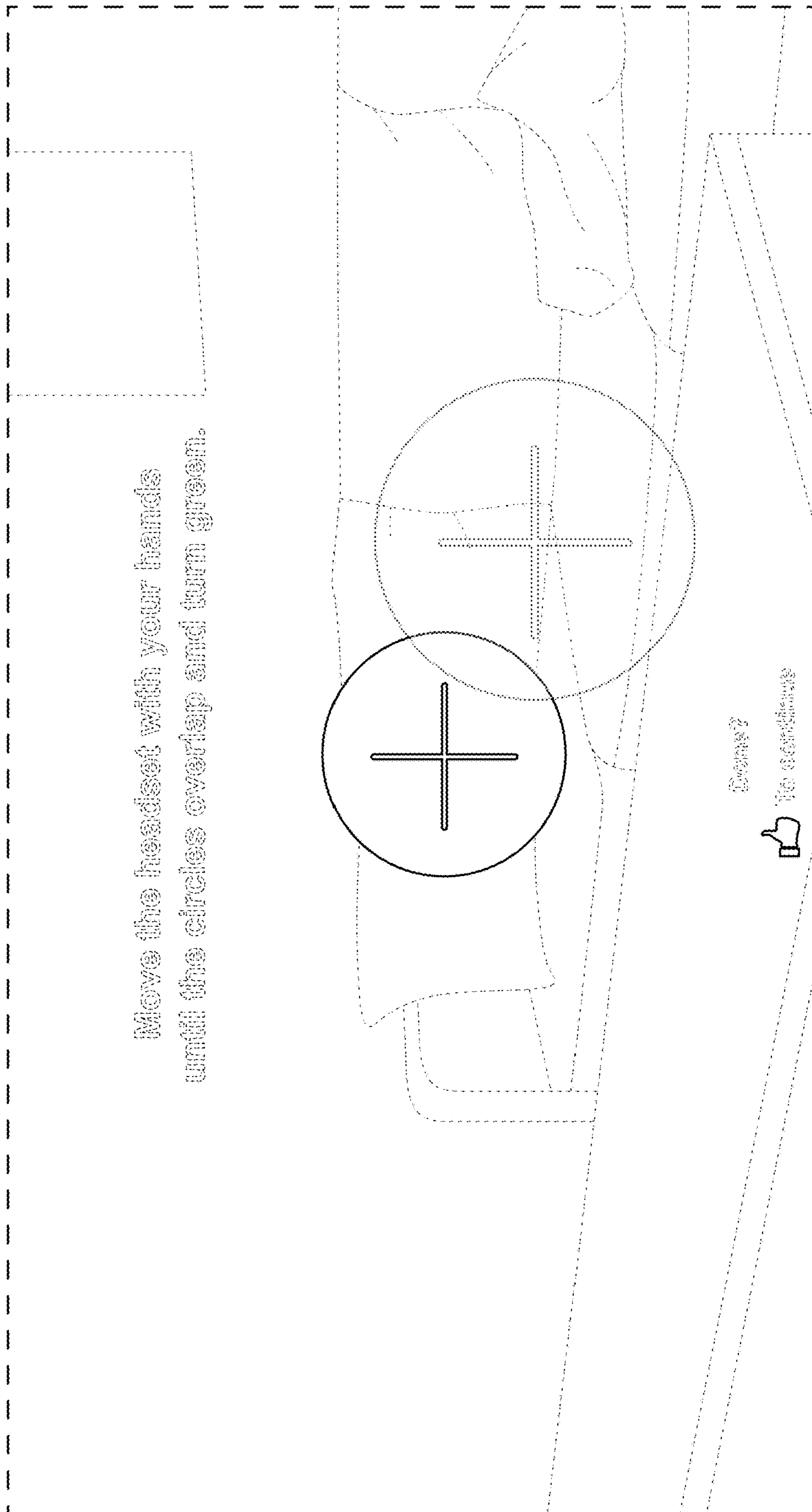


FIG. 1

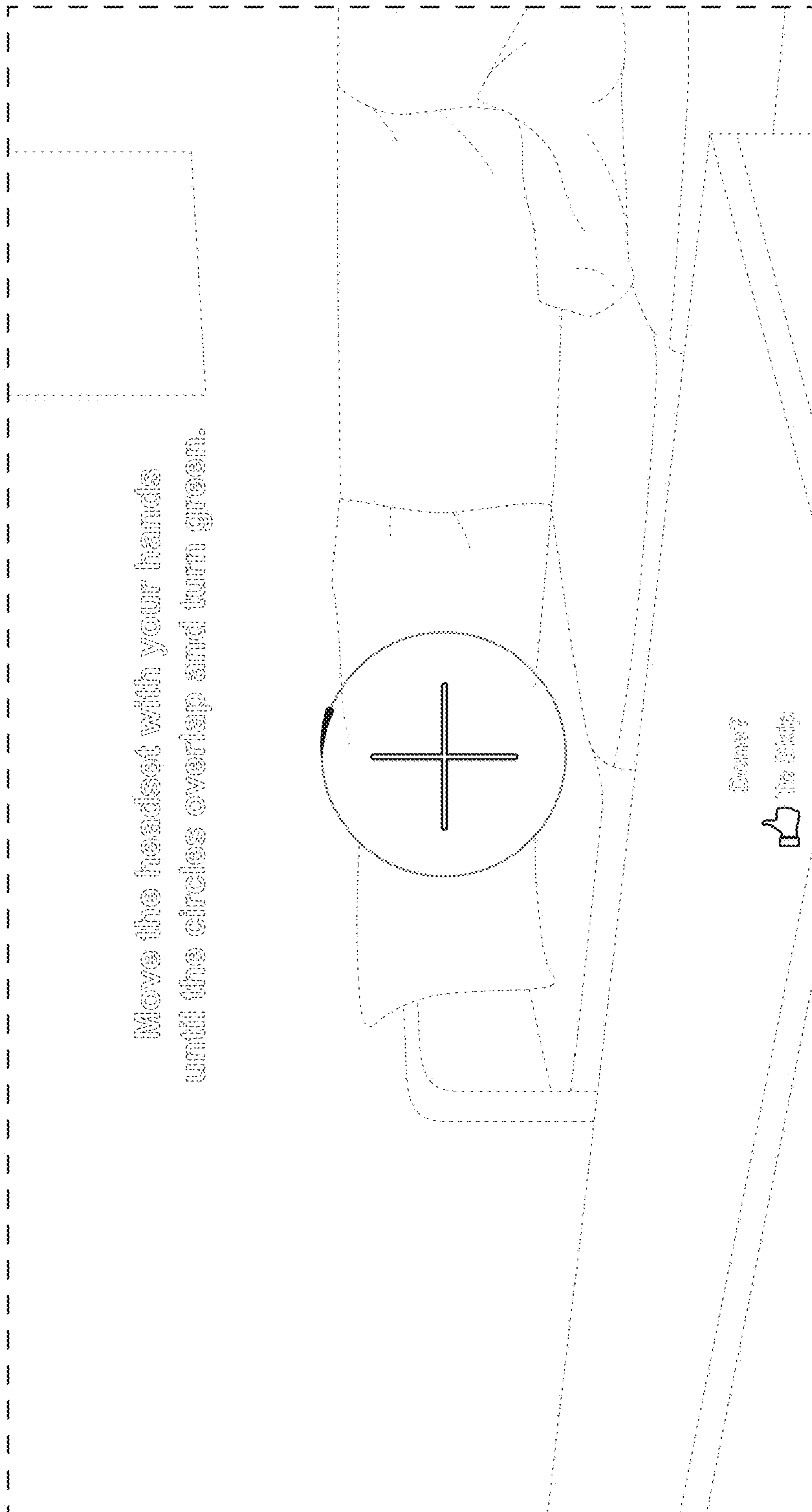


FIG. 2

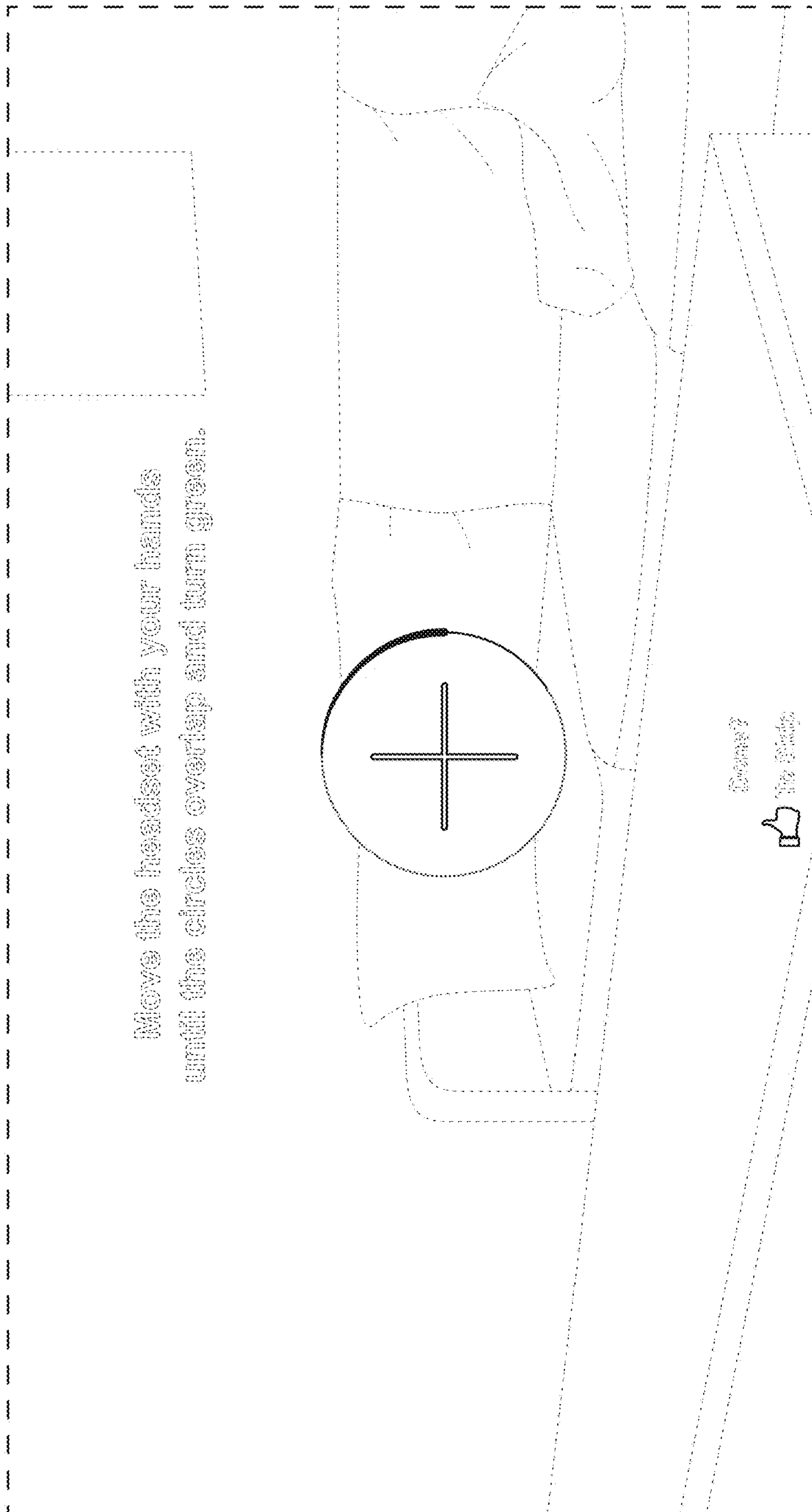


FIG. 3

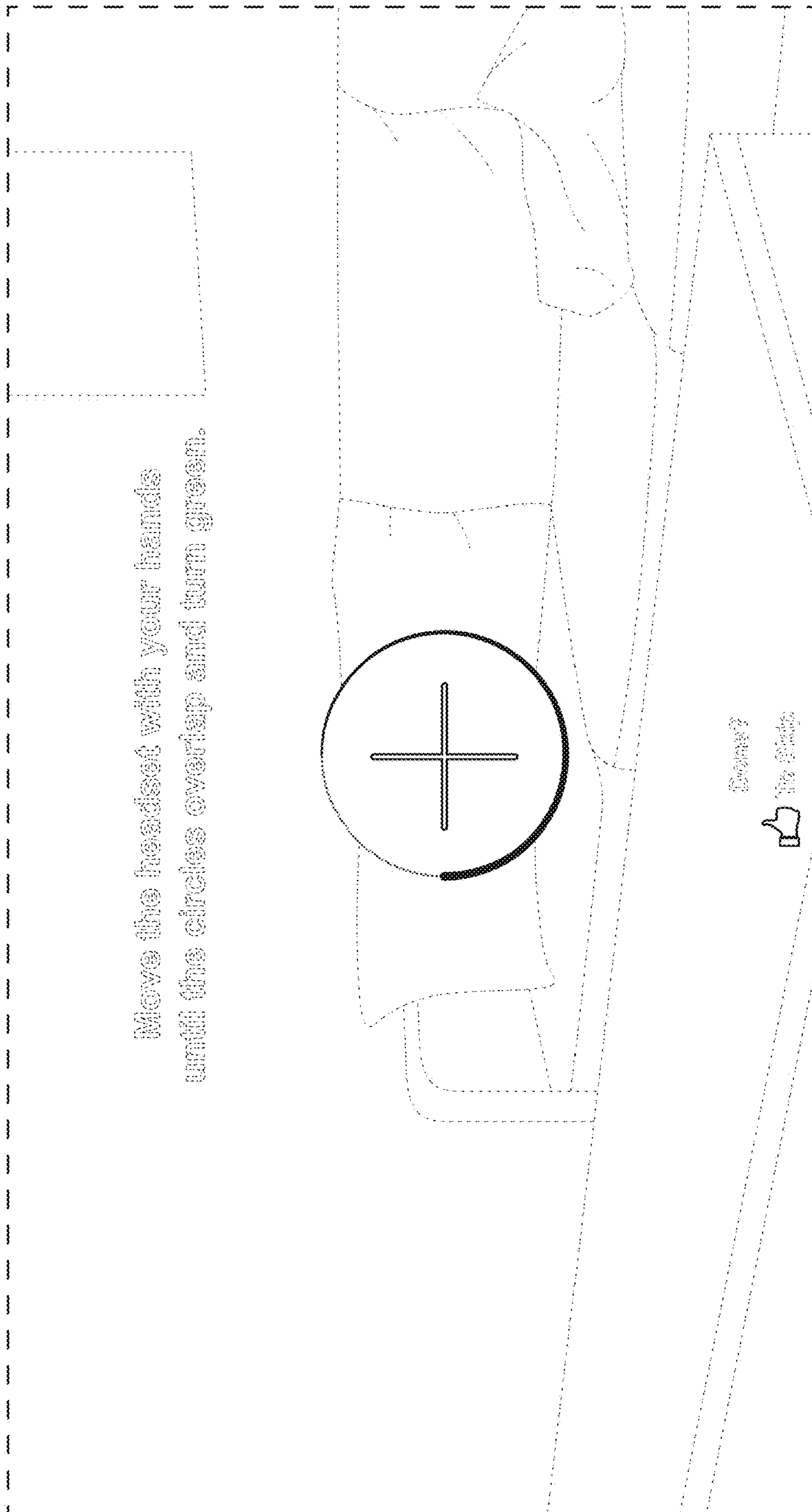


FIG. 4

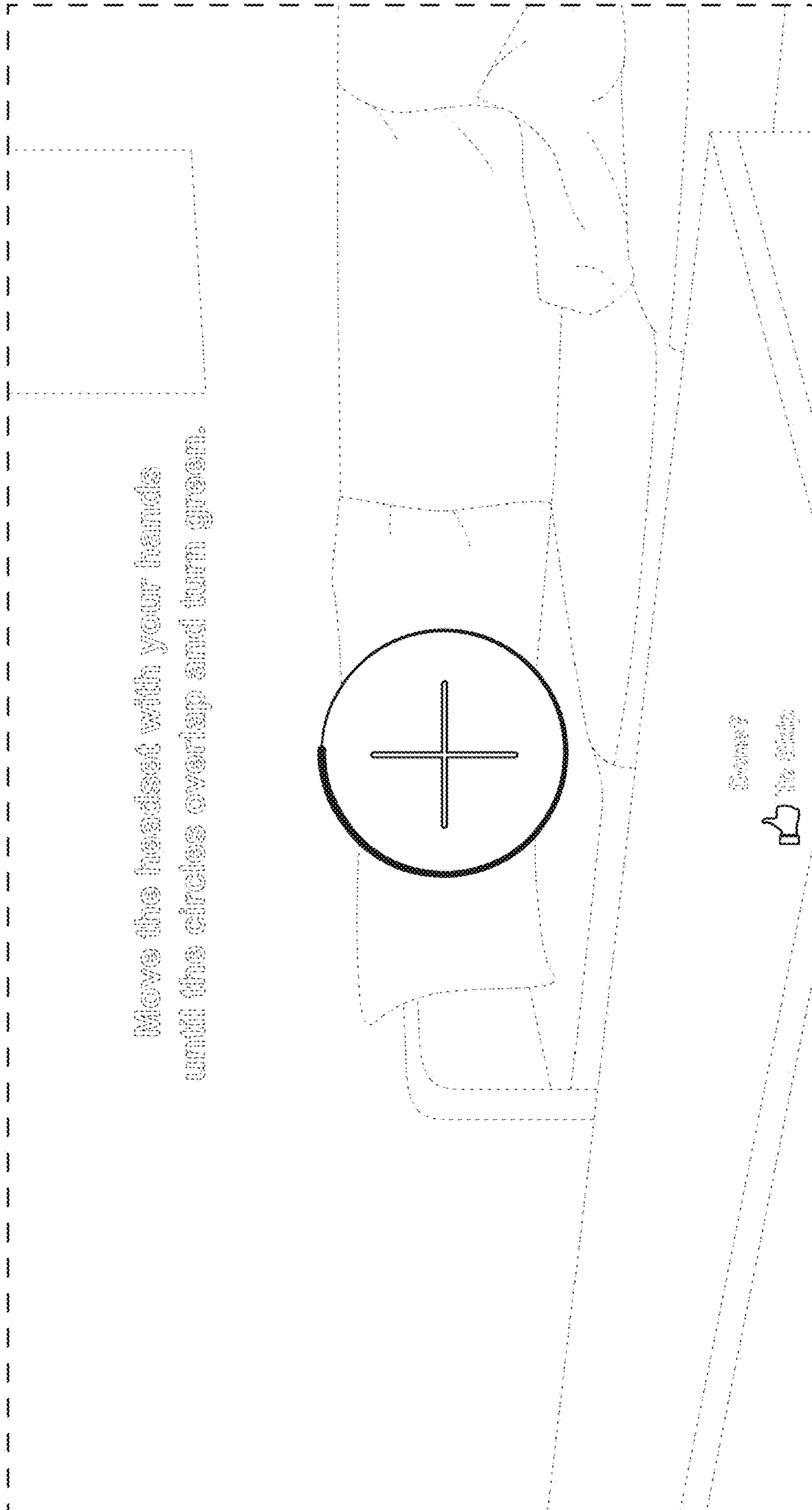


FIG. 5

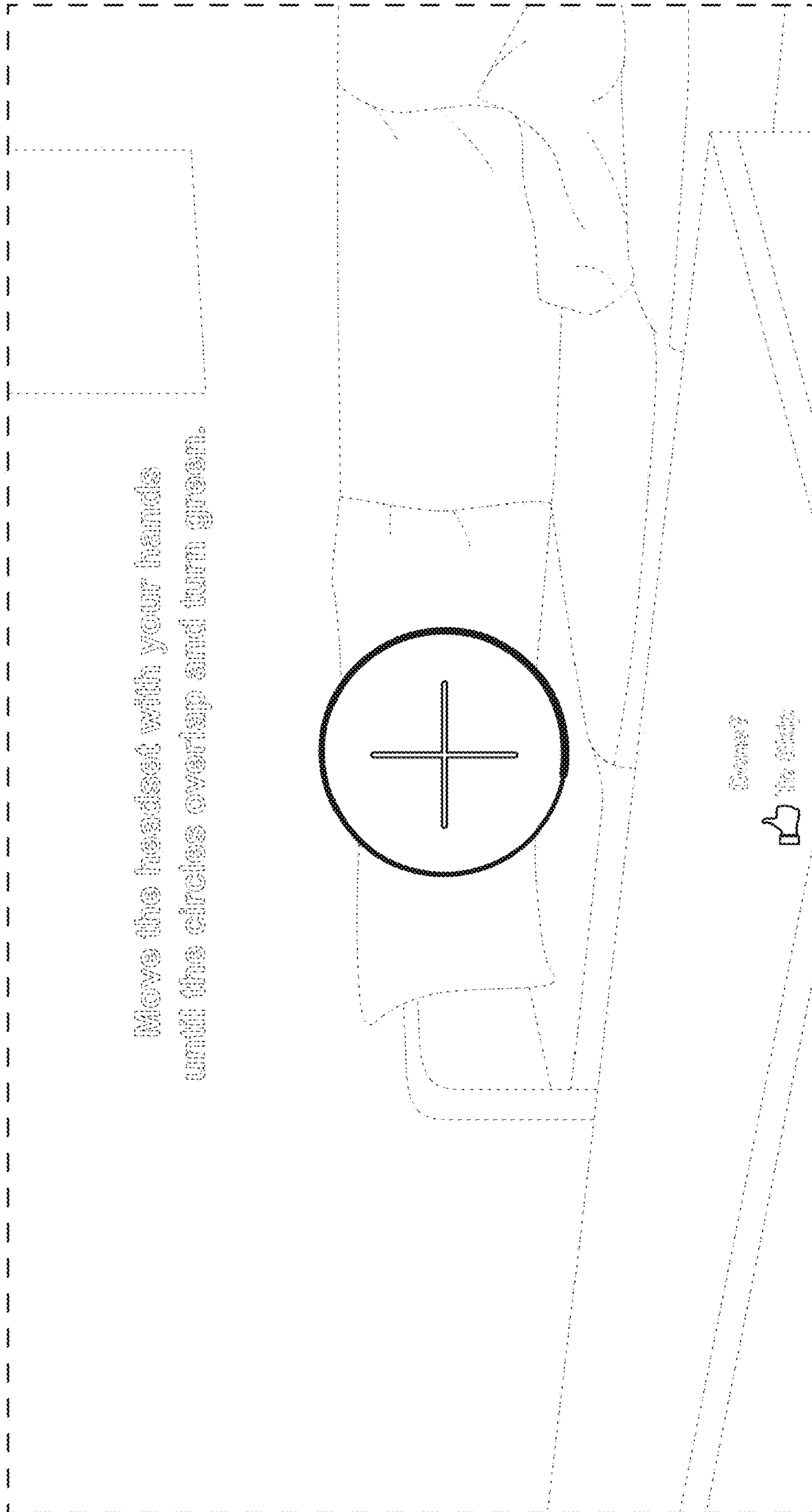


FIG. 6

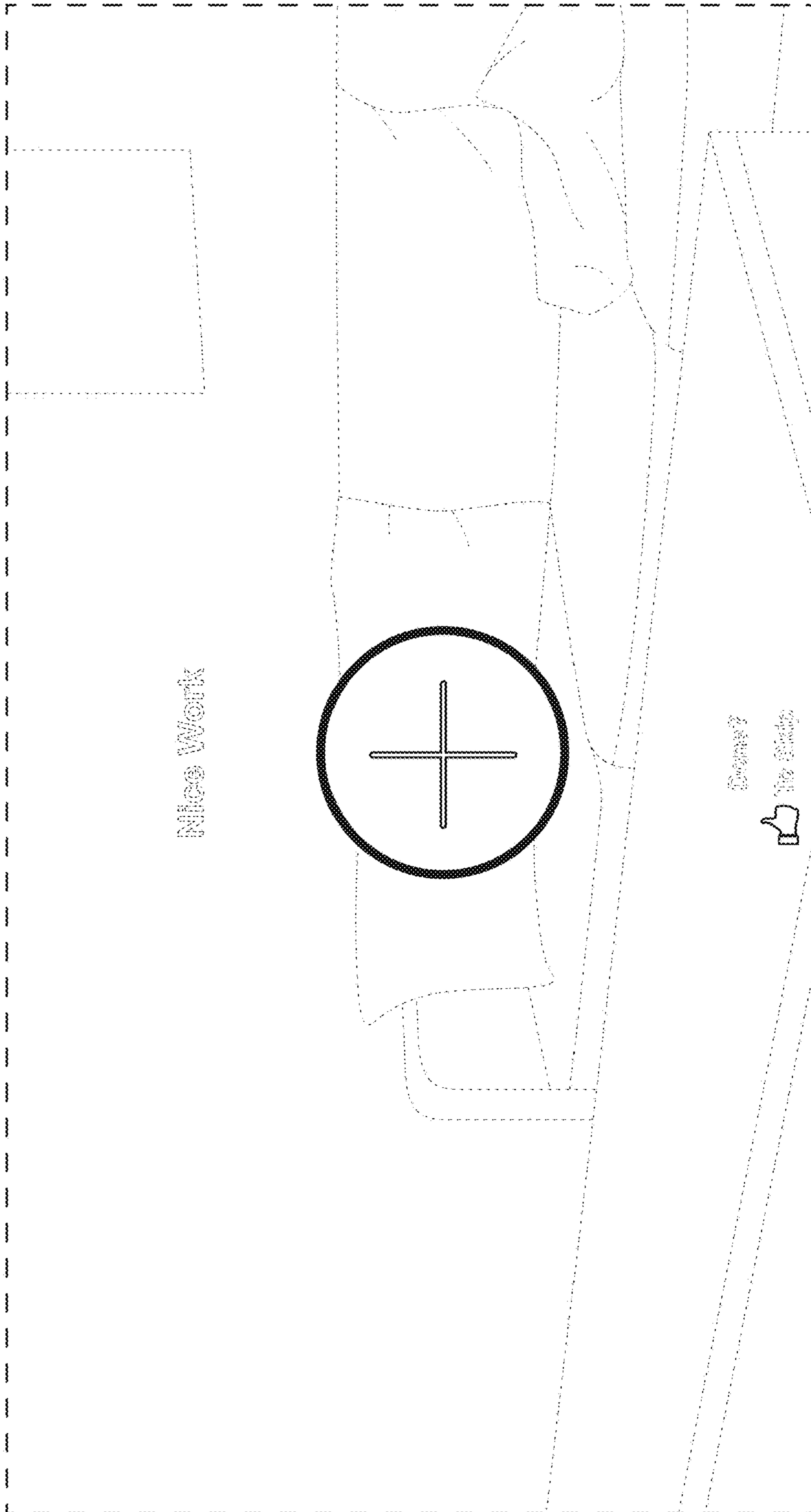


FIG. 7

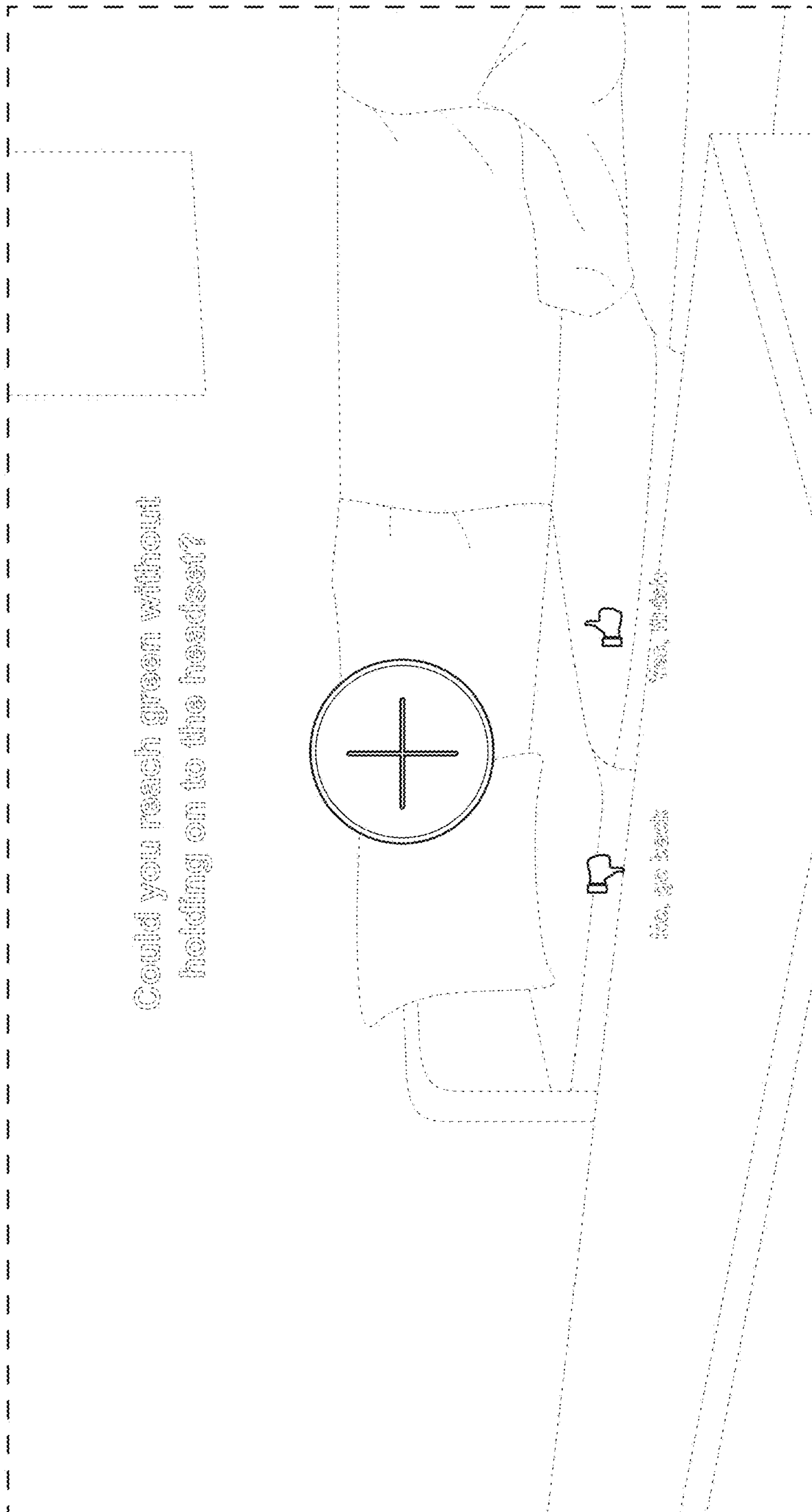


FIG. 8