



US00D910071S

(12) **United States Design Patent** (10) **Patent No.:** **US D910,071 S**  
**Chen et al.** (45) **Date of Patent:** **\*\* Feb. 9, 2021**

(54) **DISPLAY SCREEN OR PORTION THEREOF WITH ANIMATED GRAPHICAL USER INTERFACE**

16, 2020. Available online at URL: [https://www.phonearena.com/news/Apple-Watch-update-Apple-shows-new-timekeeping-health-and-fitness-features\\_id63295](https://www.phonearena.com/news/Apple-Watch-update-Apple-shows-new-timekeeping-health-and-fitness-features_id63295) (Year: 2016).\*

(Continued)

(71) Applicant: **Apple Inc.**, Cupertino, CA (US)

*Primary Examiner* — Christian P. McLean

(72) Inventors: **Kevin Will Chen**, Sunnyvale, CA (US);  
**Alan C. Dye**, San Francisco, CA (US);  
**Christopher Wilson**, San Francisco, CA (US);  
**Eric Lance Wilson**, San Jose, CA (US)

(74) *Attorney, Agent, or Firm* — Sterne, Kessler, Goldstein & Fox P.L.L.C.

(73) Assignee: **Apple Inc.**, Cupertino, CA (US)

(57) **CLAIM**

(\*\*) Term: **15 Years**

The ornamental design for a display screen or portion thereof with animated graphical user interface, as shown and described.

(21) Appl. No.: **29/679,837**

**DESCRIPTION**

(22) Filed: **Feb. 11, 2019**

**Related U.S. Application Data**

(63) Continuation of application No. 29/616,005, filed on Sep. 1, 2017, now Pat. No. Des. 840,414, which is a (Continued)

FIG. 1 is a front view of a display screen or portion thereof with animated graphical user interface showing a first image of the claimed design;

(51) **LOC (13) Cl.** ..... **14-04**

(52) **U.S. Cl.**

USPC ..... **D14/490**

(58) **Field of Classification Search**

USPC ..... D14/485–495; D10/1, 2, 15, 22, 38, 39 (Continued)

FIG. 2 is a second image thereof;

FIG. 3 is a third image thereof;

FIG. 4 is a fourth image thereof;

FIG. 5 is a fifth image thereof;

FIG. 6 is a sixth image thereof;

FIG. 7 is a seventh image thereof;

FIG. 8 is an eighth image thereof;

FIG. 9 is a ninth image thereof;

FIG. 10 is a tenth image thereof;

FIG. 11 is an eleventh image thereof; and,

FIG. 12 is a twelfth image thereof.

(56) **References Cited**

**U.S. PATENT DOCUMENTS**

D437,792 S 2/2001 Glauser

D568,178 S 5/2008 Giannini

(Continued)

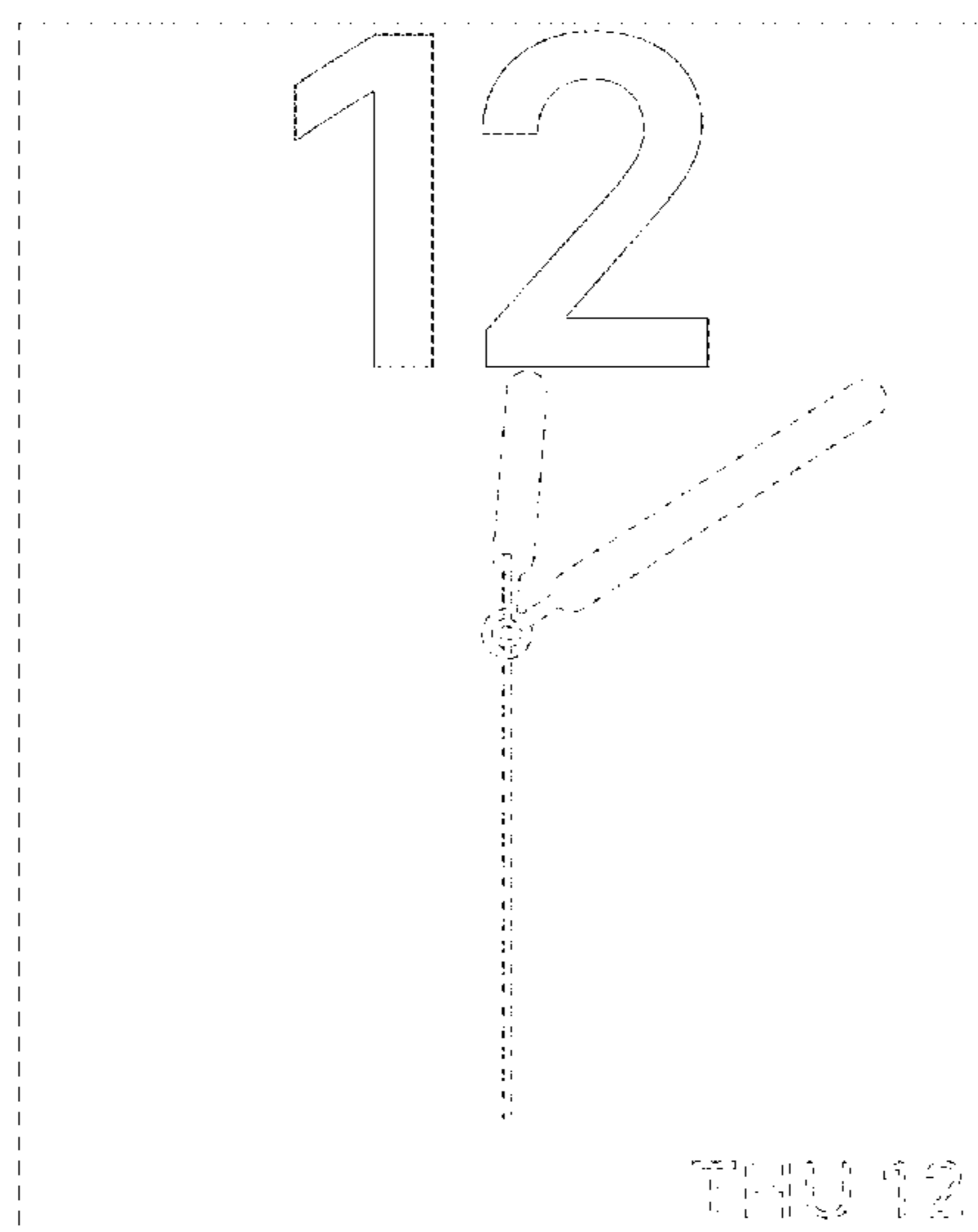
The outermost broken lines in the figures show a display screen or portion thereof, and form no part of the claimed design. The other broken lines in the figures show portions of the animated graphical user interface that form no part of the claimed design.

The appearance of the animated image sequentially transitions between the images shown in FIGS. 1-12. The process or period in which one image transitions to another forms no part of the claimed design.

**OTHER PUBLICATIONS**

“Apple Watch update: Apple shows new timekeeping, health and fitness features.” phonearena.com. Nov. 27, 2014. Accessed Nov.

**1 Claim, 12 Drawing Sheets**



**Related U.S. Application Data**

continuation of application No. 29/567,696, filed on Jun. 10, 2016, now Pat. No. Des. 796,546.

(58) **Field of Classification Search**

CPC .... G06F 3/048; G06F 3/0481; G06F 3/04812; G06F 3/04817; G06F 3/0482; G06F 3/0483; G06F 3/0484; G06F 3/04847; G06F 3/0485; G06F 3/04855; G06F 3/04886; G06Q 30/00; H03J 1/00; H03J 1/0008; H03J 1/0016; H03J 1/0025; H04N 5/00; H04N 5/08; H04N 5/14; H04N 5/222; H04N 5/225; H04N 5/232; H04N 5/445; H04N 5/44543; H04N 5/45; H04N 2005/44517; H04N 2005/44521; H04N 2005/44526; H04N 2005/4453; H04N 2005/44534; H04N 2005/44539; H04N 2005/44547; H04N 2005/44556; H04N 2005/4456; H04N 2005/44565; H04N 2005/44569; H04N 2005/44573; H04N 21/00; H04N 21/234; H04N 21/431; H04N 21/4312; H04N 21/4314; H04N 21/4316

See application file for complete search history.

(56) **References Cited**

U.S. PATENT DOCUMENTS

D628,911 S	12/2010	Giannini	
D631,764 S	2/2011	Furetta	
D640,145 S	6/2011	Goto	
D640,574 S	6/2011	Giannini	
D649,889 S	12/2011	Giannini	
D650,705 S	12/2011	Blank	
D667,316 S	9/2012	Tonohori	
D682,850 S *	5/2013	Del Pasqua	D14/485
D688,270 S	8/2013	Jang et al.	
D703,554 S	4/2014	Emimenegger et al.	
D735,060 S	7/2015	Monachon	
D737,159 S	8/2015	Akana et al.	
D744,356 S	12/2015	Akana et al.	
D753,695 S *	4/2016	Dye	D14/486
D754,706 S	4/2016	Hwang	
D755,825 S	5/2016	Hwang	
D757,079 S	5/2016	Chaudhri et al.	
D757,080 S	5/2016	Hou	
D760,286 S	6/2016	Park	
D763,885 S	8/2016	Liu	
D763,914 S	8/2016	Butcher et al.	
D765,098 S	8/2016	Chaudhri et al.	
D765,114 S	8/2016	Chaudhri et al.	
D765,681 S	9/2016	Nagel et al.	
D765,693 S	9/2016	Chaudhri et al.	
D766,950 S	9/2016	Dye et al.	
D775,148 S	12/2016	Anzures et al.	
D784,389 S	4/2017	Kim et al.	
D785,655 S	5/2017	Akana et al.	
D796,546 S	9/2017	Chen et al.	
D797,135 S *	9/2017	Chaudhri	D14/486
D800,768 S *	10/2017	Kim	D14/489
D801,369 S	10/2017	Chaudhri et al.	
D802,614 S *	11/2017	Bae	D14/486
D806,119 S *	12/2017	Anzures	D14/489
D807,905 S *	1/2018	Broughton	D14/486
D809,543 S *	2/2018	Broughton	D14/486
D810,110 S	2/2018	Dye et al.	
D813,891 S *	3/2018	Chaudhri	D14/486
D813,892 S *	3/2018	Chaudhri	D14/486

D840,414 S	2/2019	Chen et al.	
D841,676 S *	2/2019	Zhang	D14/486
D843,381 S *	3/2019	Wassell	E21B 44/00 D14/485
D857,042 S *	8/2019	Lim	D14/486
D859,431 S *	9/2019	Chaudhri	D14/485
10,620,590 B1 *	4/2020	Guzman	G06F 3/0481
D888,078 S *	6/2020	Lee	D14/485
D888,079 S *	6/2020	Lee	D14/485
2015/0253736 A1	9/2015	Watterson	
2016/0034133 A1	2/2016	Wilson et al.	
2016/0357386 A1	12/2016	Choi	
2017/0357427 A1 *	12/2017	Wilson	G06F 3/04845
2020/0356063 A1 *	11/2020	Guzman	G06F 3/0362

OTHER PUBLICATIONS

Ho, Joshua and Chester, Brandon. "The Apple Watch Review." anandtech.com. Jul. 20, 2015. Accessed Nov. 16, 2020. Available online at URL: <https://www.anandtech.com/show/9381/the-apple-watch-review/4> (Year: 2015).\*

Yamashita, Yohei, Flickrriver, "Panerai Luminor Marina" <<http://www.flickrriver.com/photos/monana7/3958285548/>> dated Sep. 27, 2009.

"App clock Icon", posted at iconarchive.com, Aug. 13, 2011. Available from Internet: <<http://www.iconarchive.com/show/crystal-clear-icons-by-everaldo/App-clock-icon.html>>.

JPO's document HJ23040214, Oct. 24, 2011.

"Vector Wall Clock", posted at canstockphoto.com, Oct. 22, 2012. Available from Internet: <[http://www.canstockphoto.com/illustration/watch.html#file\\_view.php?id=11287520](http://www.canstockphoto.com/illustration/watch.html#file_view.php?id=11287520)>.

Dezeen Magazine, "No. 1 by Form Us With Love for TID Watches" <<http://www.dezeen.com/2012/10/29/no-1-watch-by-form-us-with-love-for-tid-at-dezeen-watch-store/>> dated Oct. 29, 2012.

Ma, Louis, "iWatchHome", posted at iwatchhome.net, Apr. 18, 2013, © 2011 Cite IWW [online]. Available from Internet: <[http://www.iwatchhome.net/Column\\_Dr\\_paper.php?article\\_id=C01300053](http://www.iwatchhome.net/Column_Dr_paper.php?article_id=C01300053)>.

JPO's document HJ25006511, Apr. 30, 2013.

Smith, David. "Pedometer++2.3: Embracing the Apple Watch." david-smith.org. Dec. 3, 2015. Accessed Jun. 4, 2017. Available online at URL: <<https://david-smith.org/blog/2015/12/03/pedometer-plus-plus-2-do-t-3-embracing-the-apple-watch/>>.

Hollington, Jesse. "Instant Expert: Secrets & Features of watchOS 3." ilounge.com. Sep. 15, 2016. Accessed Jun. 4, 2016. Available online at URL: <<http://www.ilounge.com/index.php/articles/comments/instant-expert-secrets-features-of-watchos-3>>.

Mathy, Mandy. "Apple iWatch Countdown Timer (v157) Clock with sound effects and voice HD! ¼." YouTube.com. 1:00-1:35. Published Sep. 21, 2014. <https://www.youtube.com/watch?v=iaVSnB5oKGU&t=59s>.

Tweedie, Steven. "Here's why the Aple Watch always shows the time as 10:09 in advertisements." businessinsider.com. Mar. 10, 2015. <https://www.businessinsider.com/why-apple-watches-all-display-1009-in-advertisements-2015-3>.

Gil, Lory. "How to Choose and Customize Your Watch Face on Apple Watch." macrumors.com. May 1, 2015. <https://www.macrumors.com/how-to/choose-apple-watch-faces/>.

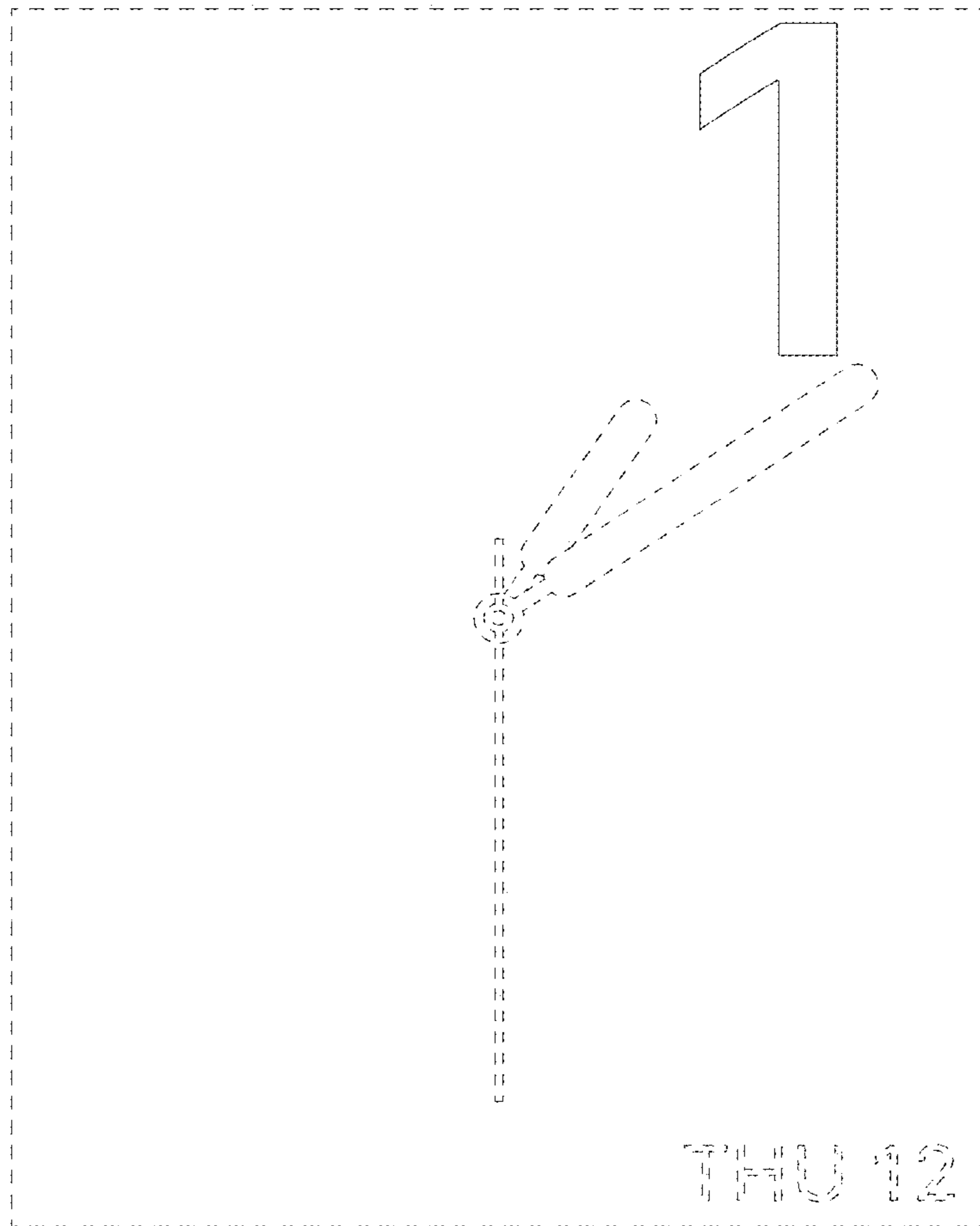
Bond, John-Michael. "Here is every watch face shown during the Apple Watch announcement." engadget.com. Sep. 11, 2014 <https://www.engadget.com/2014/09/11/here-is-every-watch-face-shown-during-the-apple-watch-announceme/>.

Swatch Group Japan KK, Be surprised Irony Lady, Swatch Irony Lady Swatch, Apr. 30, 2013. [http://jp-shop.swatchjp/fs/swatchec/GoodsAdditionalImagePopup.html?goods\\_id=1050](http://jp-shop.swatchjp/fs/swatchec/GoodsAdditionalImagePopup.html?goods_id=1050), (JPO publicly known document No. HJ25006511).

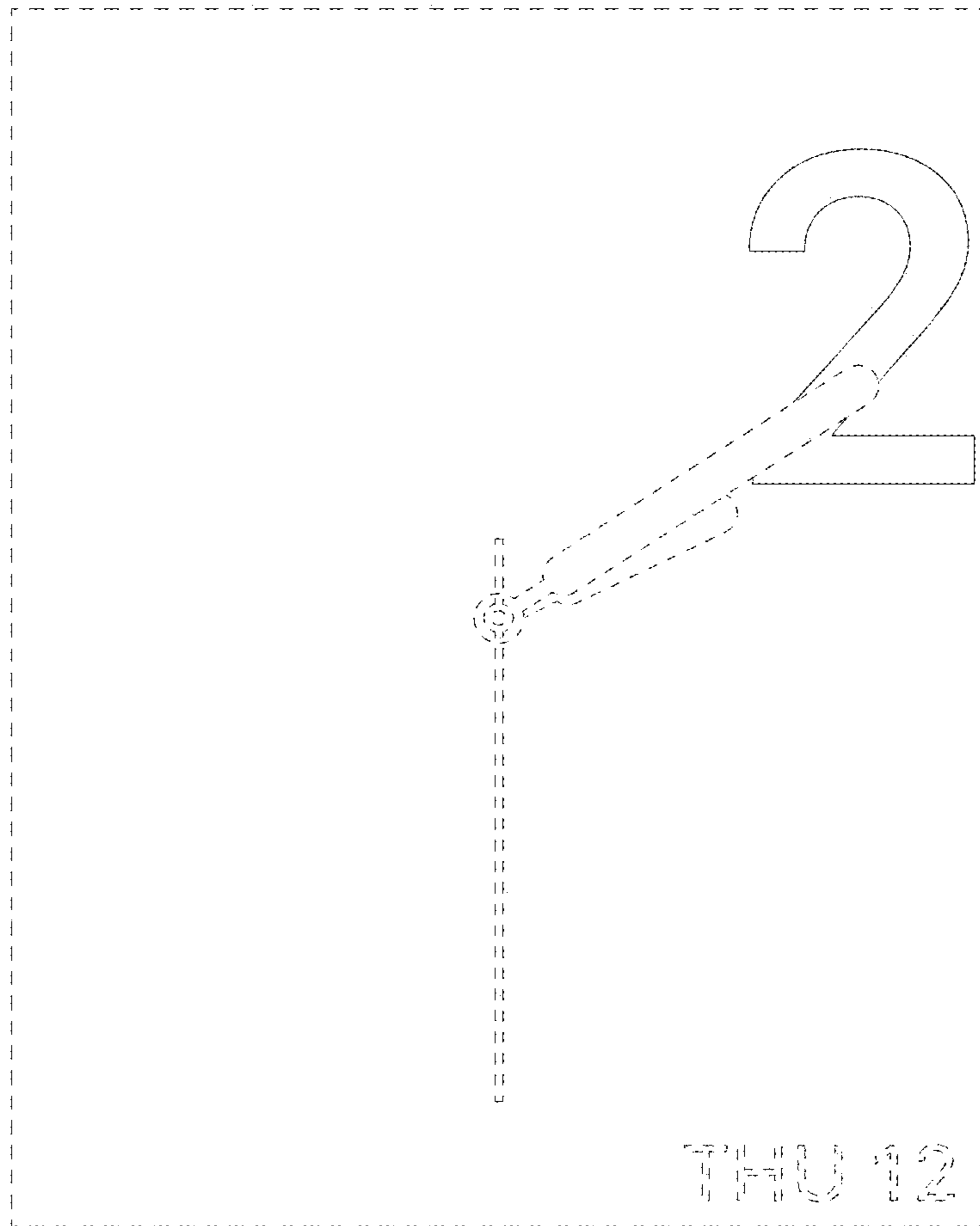
Ottagono, Nov. 2005, JPO Document HB17013640.

\* cited by examiner

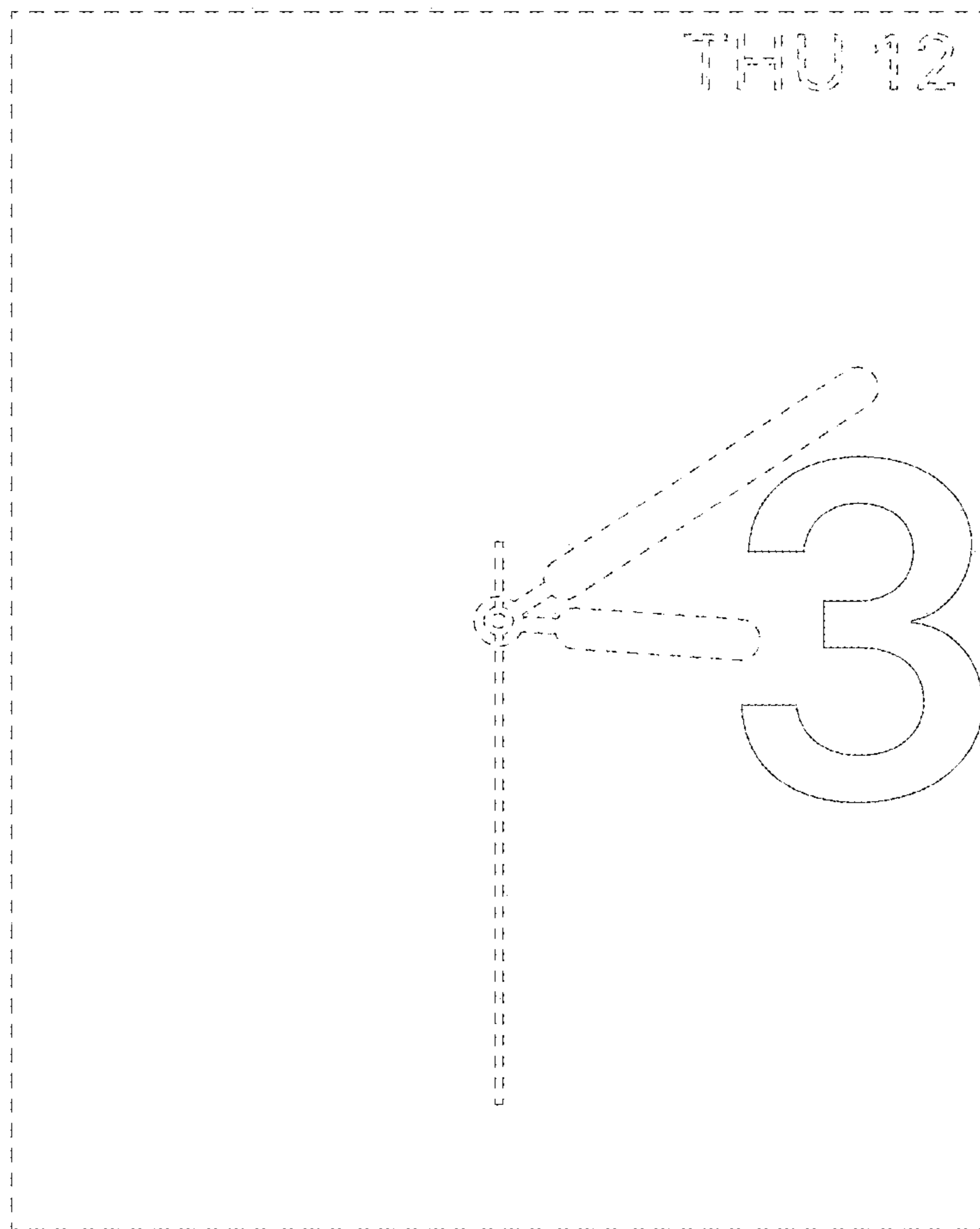




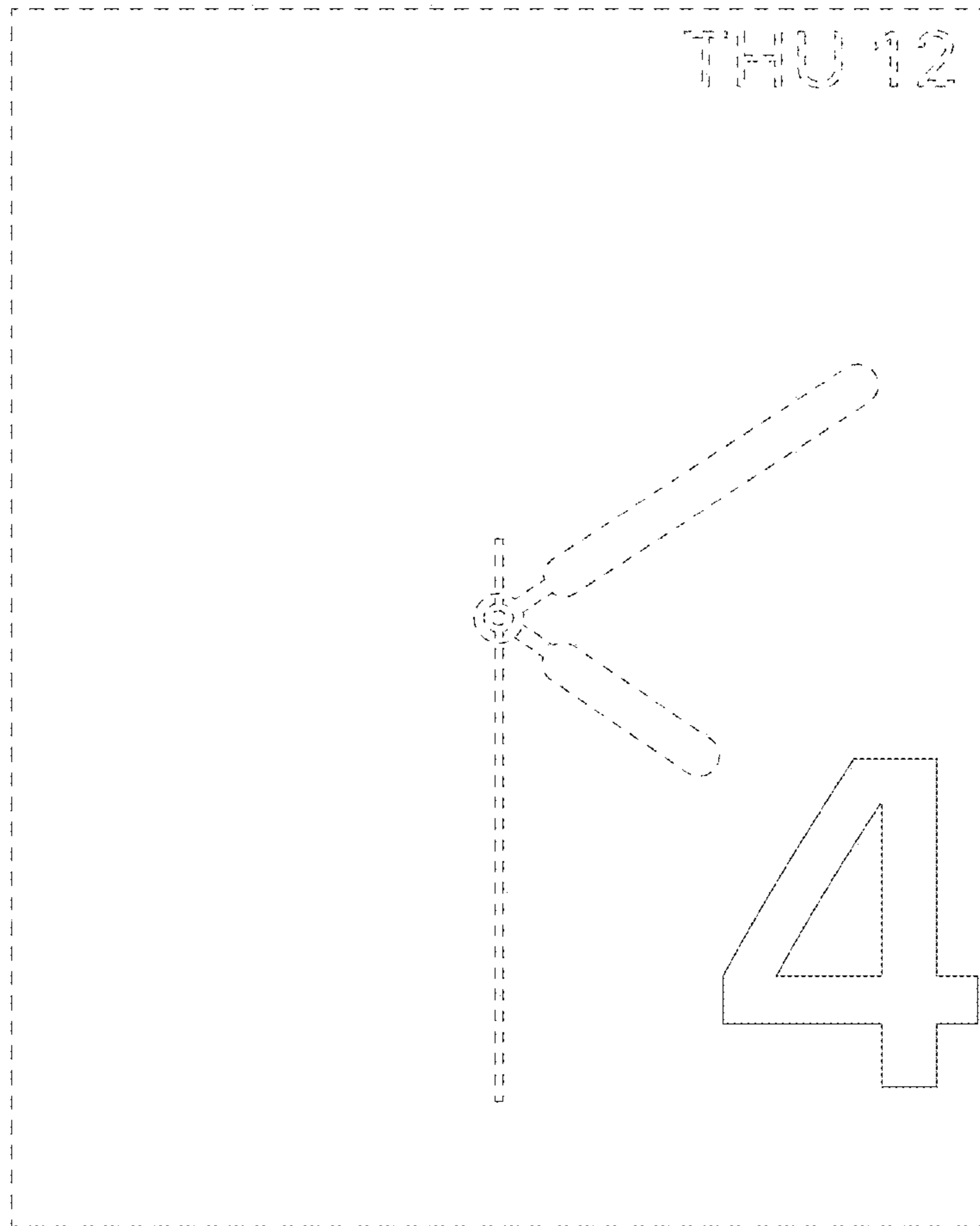
**FIG. 1**



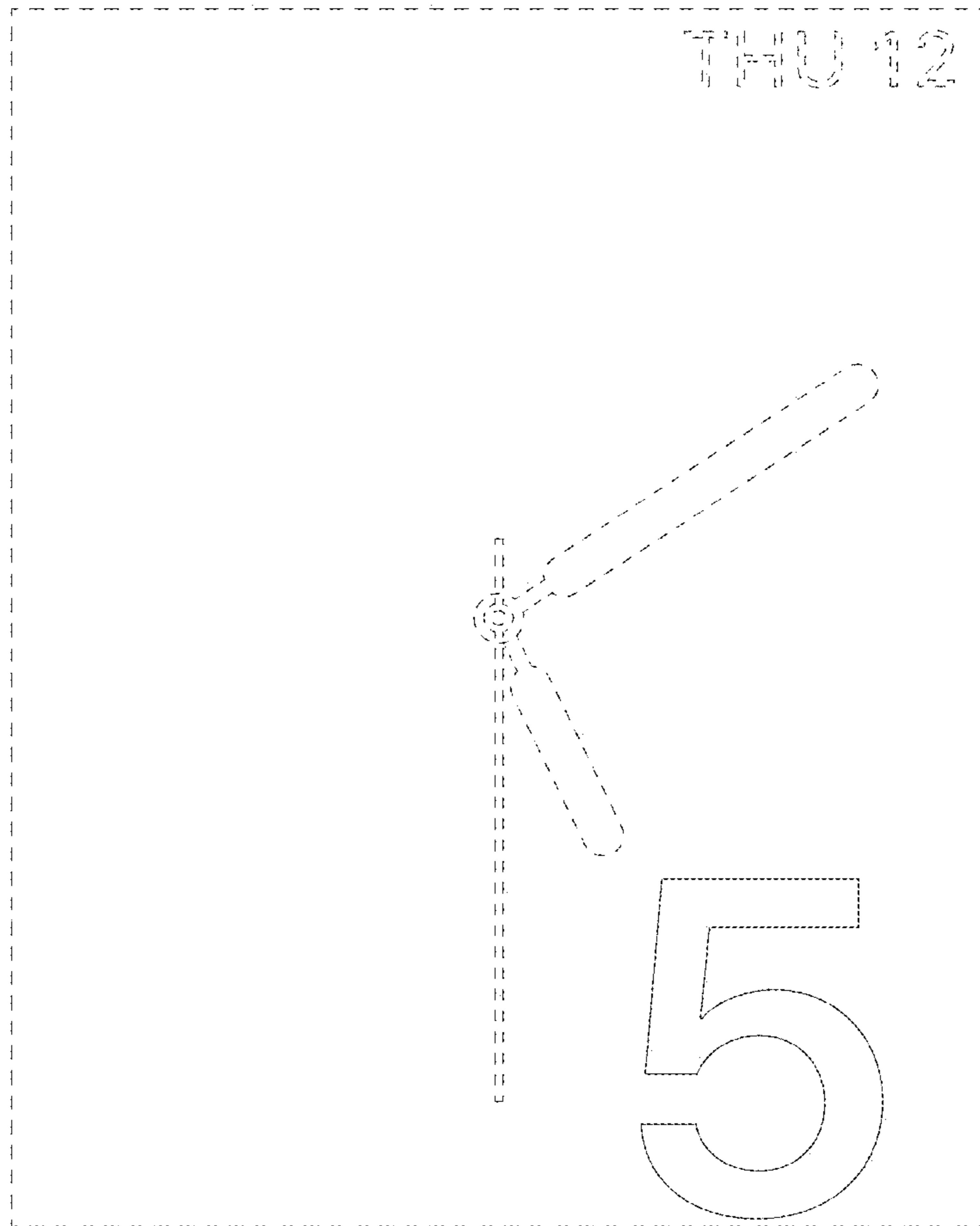
**FIG. 2**



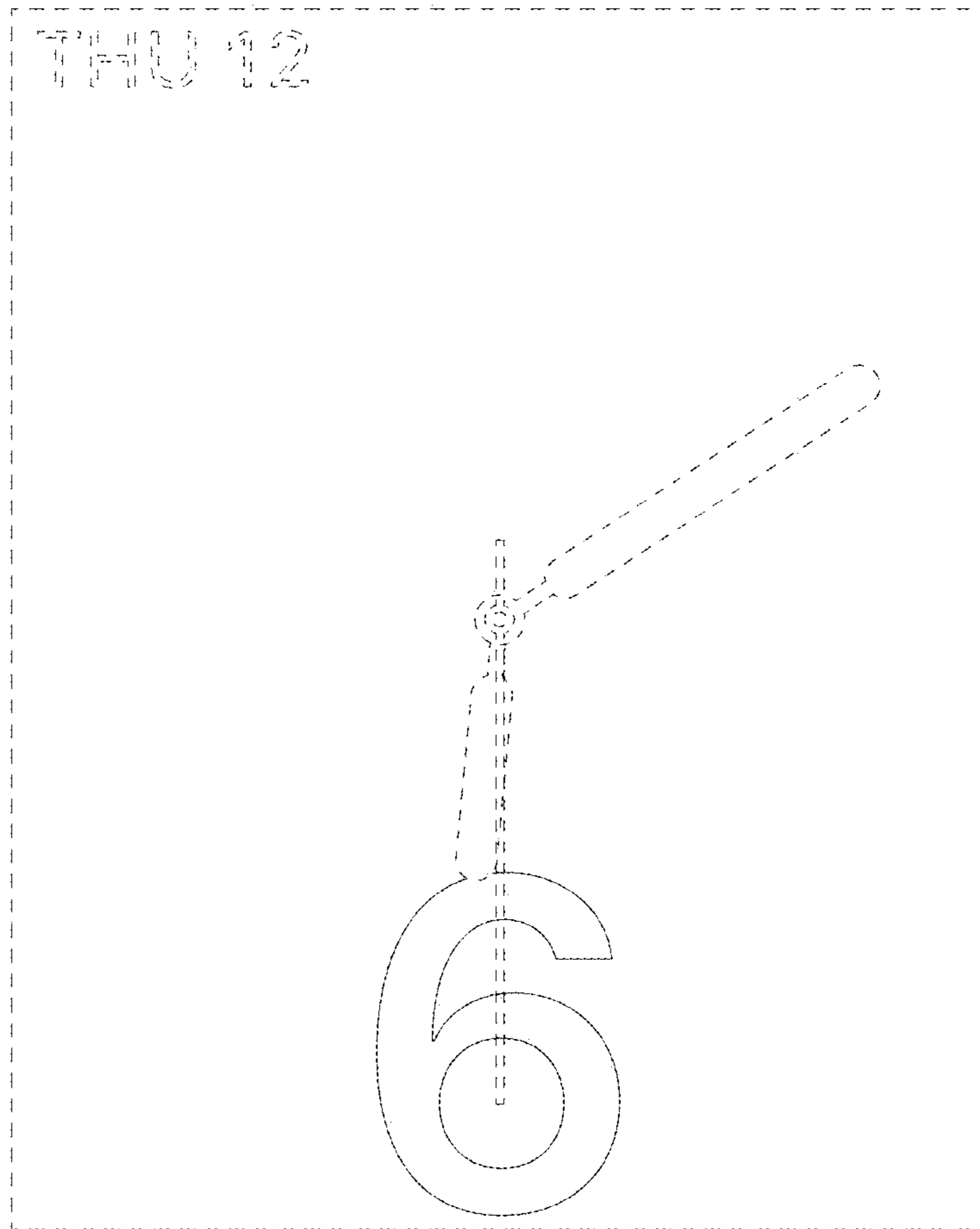
**FIG. 3**



**FIG. 4**

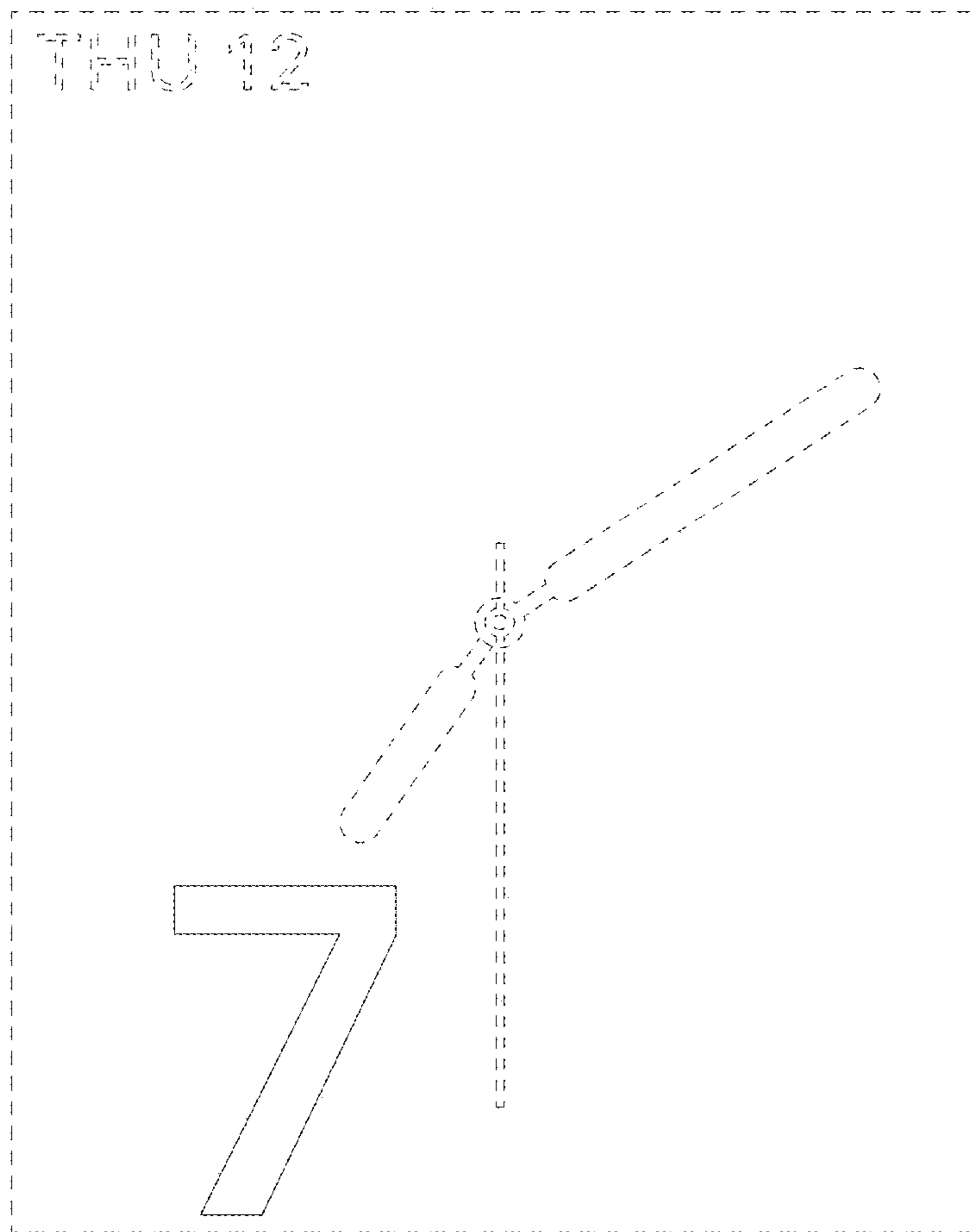


**FIG. 5**

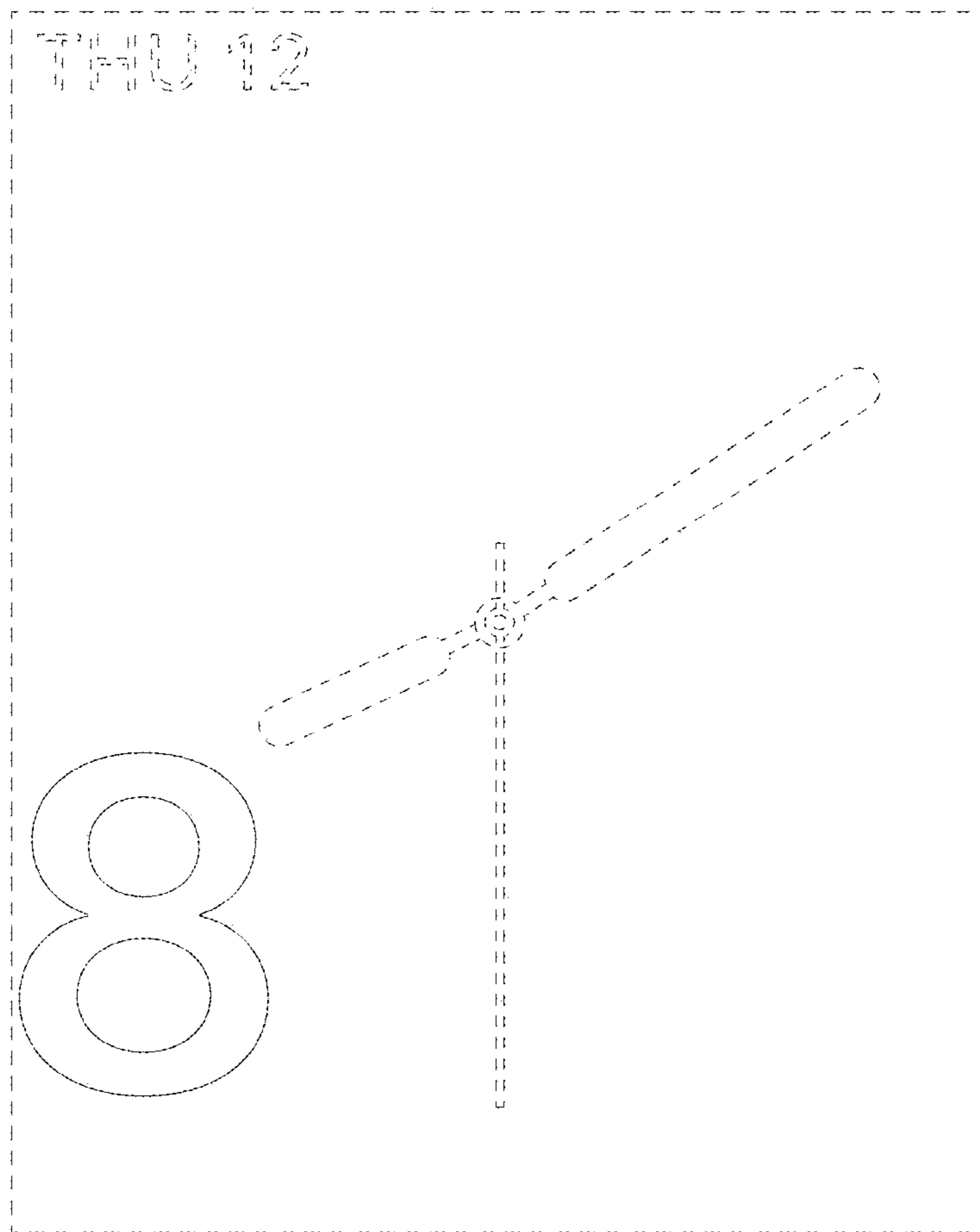


**FIG. 6**

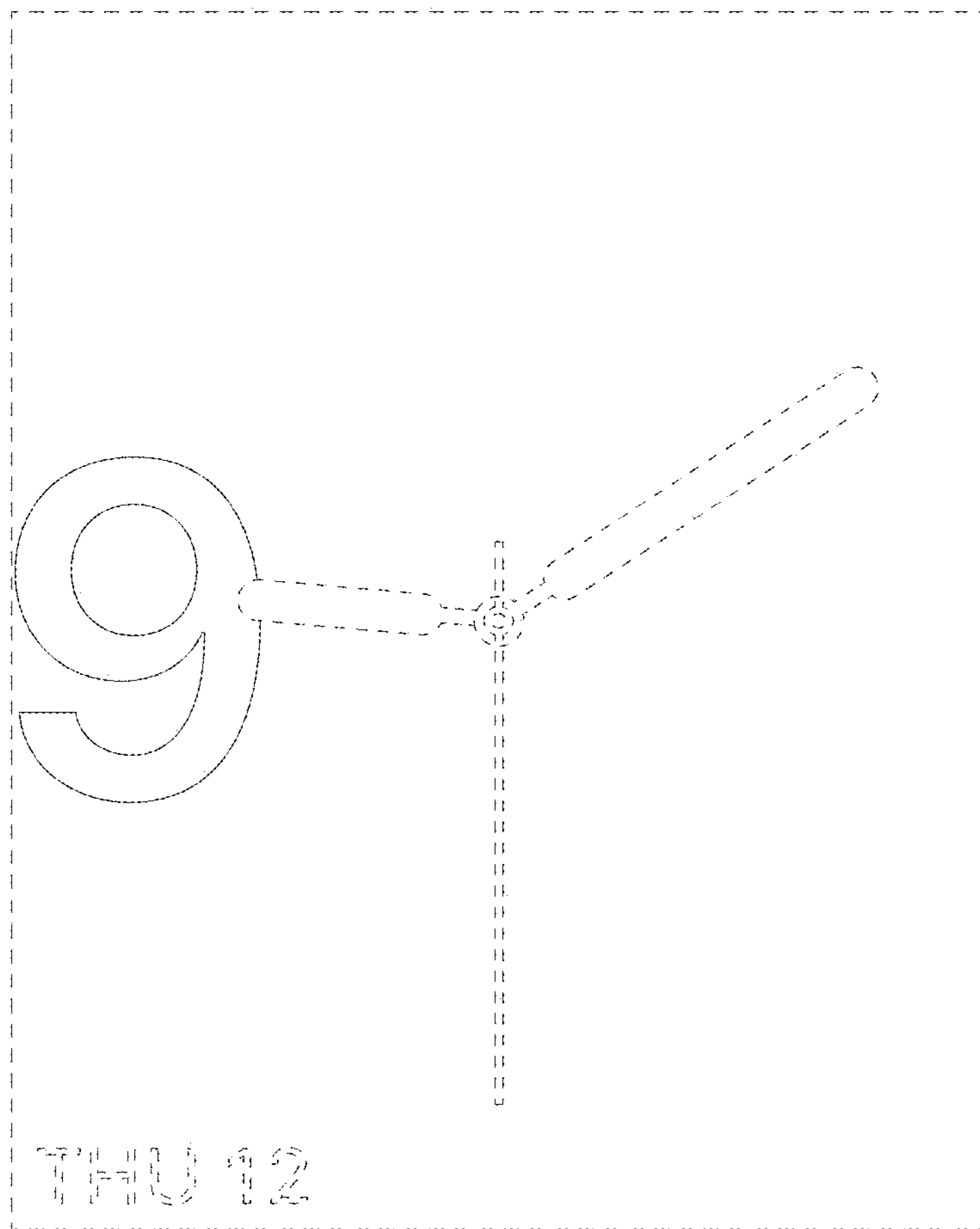




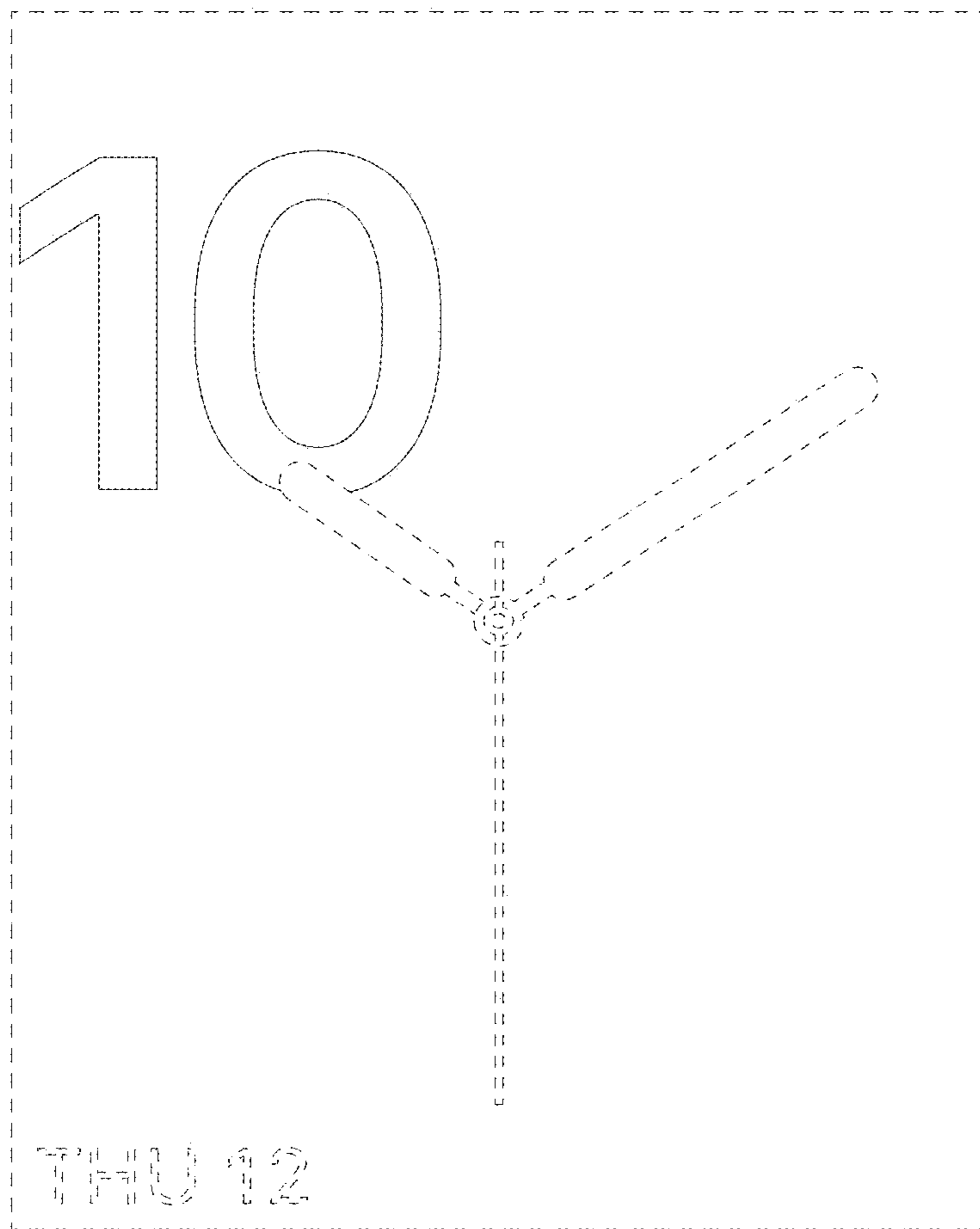
**FIG. 7**



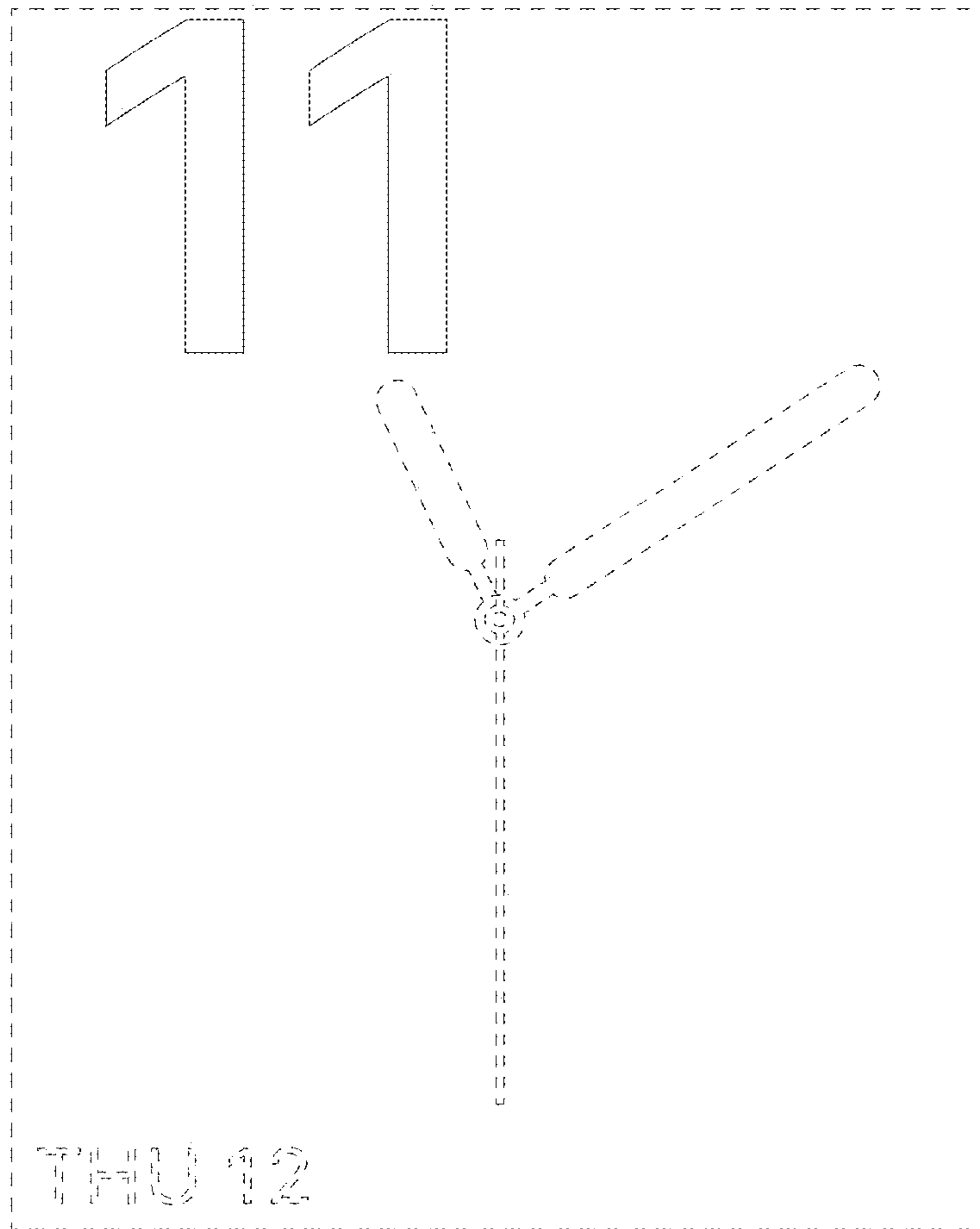
**FIG. 8**



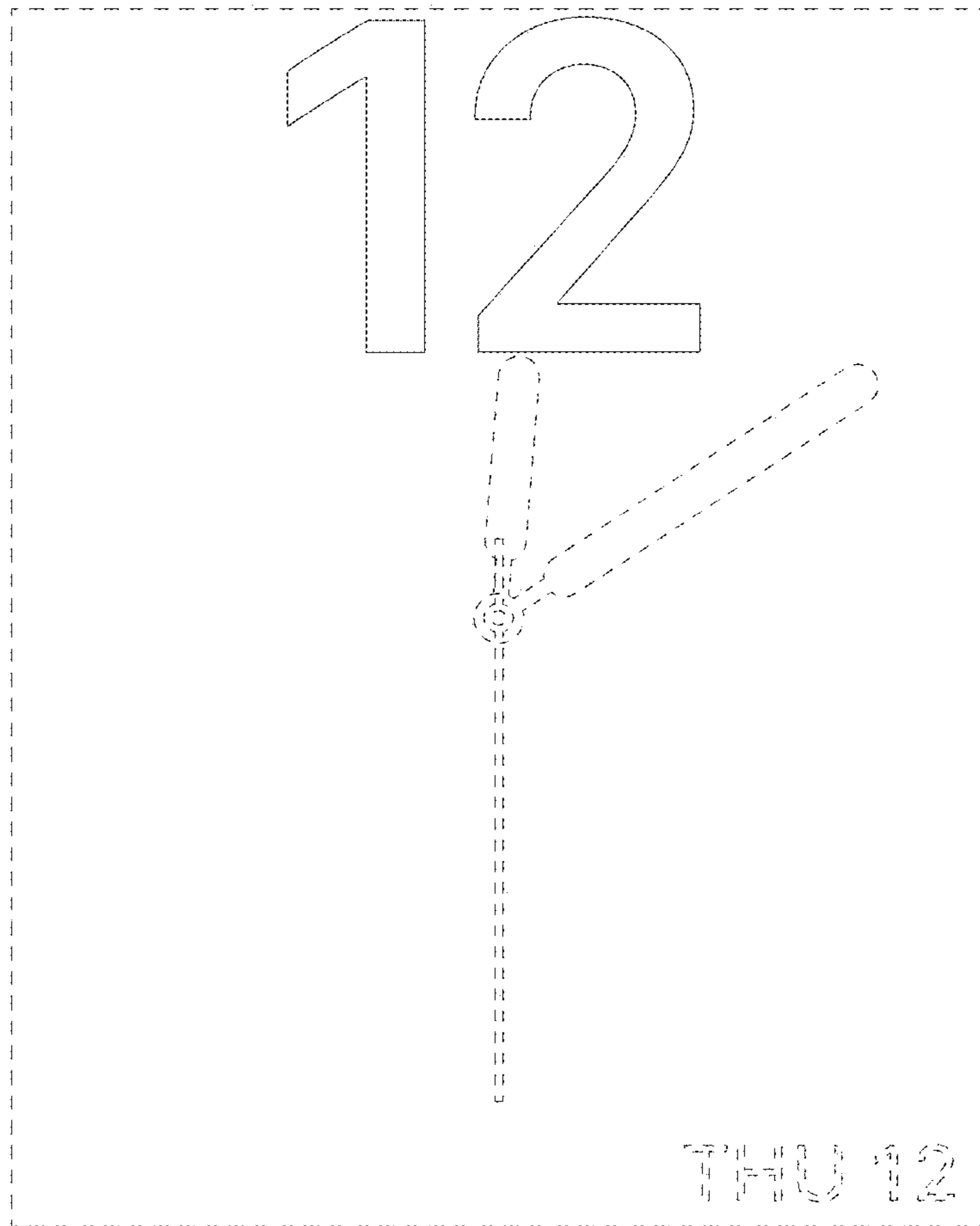
**FIG. 9**



**FIG. 10**



**FIG. 11**



**FIG. 12**