



US00D910067S

(12) **United States Design Patent** (10) **Patent No.:** **US D910,067 S**
Kim (45) **Date of Patent:** **** Feb. 9, 2021**

(54) **DISPLAY SCREEN OR PORTION THEREOF WITH ICON**

D775,198 S * 12/2016 Montes D14/489
D780,804 S * 3/2017 Cho D14/489
D781,339 S * 3/2017 Li D14/487

(Continued)

(71) Applicant: **Samsung Electronics Co., Ltd.**,
Suwon-si (KR)

FOREIGN PATENT DOCUMENTS

(72) Inventor: **Sooah Kim**, Suwon-si (KR)

DE 402015001460-0001 7/2016
DE 402016001198-0001 10/2016

(73) Assignee: **Samsung Electronics Co., Ltd.**,
Suwon-si (KR)

(Continued)

(**) Term: **15 Years**

OTHER PUBLICATIONS

(21) Appl. No.: **29/690,888**

Nsit0108, "Cube Space Icon" Nov. 5, 2018 <https://www.canstockphoto.com/cube-space-icon-outline-style-62838187.html>.*

(22) Filed: **May 13, 2019**

(Continued)

(30) **Foreign Application Priority Data**

Feb. 25, 2019 (KR) 30-2019-0008412

Primary Examiner — Bao-Yen T Nguyen

(51) **LOC (13) Cl.** **14-04**

(74) *Attorney, Agent, or Firm* — NSIP Law

(52) **U.S. Cl.**
USPC **D14/489**

(57) **CLAIM**

(58) **Field of Classification Search**
USPC D14/485–495
CPC G06F 3/048; G06F 3/0481; G06F 3/04812;
G06F 3/04815; G06F 3/04817; G06F
3/0482; G06F 3/0483; G06F 3/0484;
G06F 3/044; G06F 3/0417
See application file for complete search history.

I claim the ornamental design for a display screen or portion thereof with icon, as shown and described.

DESCRIPTION

(56) **References Cited**

U.S. PATENT DOCUMENTS

D588,607 S * 3/2009 O'Donnell D14/489
D602,034 S * 10/2009 Vu D14/485
D623,657 S * 9/2010 Fitzmaurice D14/488
D628,586 S * 12/2010 Umezawa D14/492
D710,882 S * 8/2014 Francisco D14/489
D732,072 S * 6/2015 Ying D14/489
D746,325 S * 12/2015 Hwang D14/489
D749,630 S * 2/2016 Hwang D14/489
D774,086 S * 12/2016 Montes D14/489

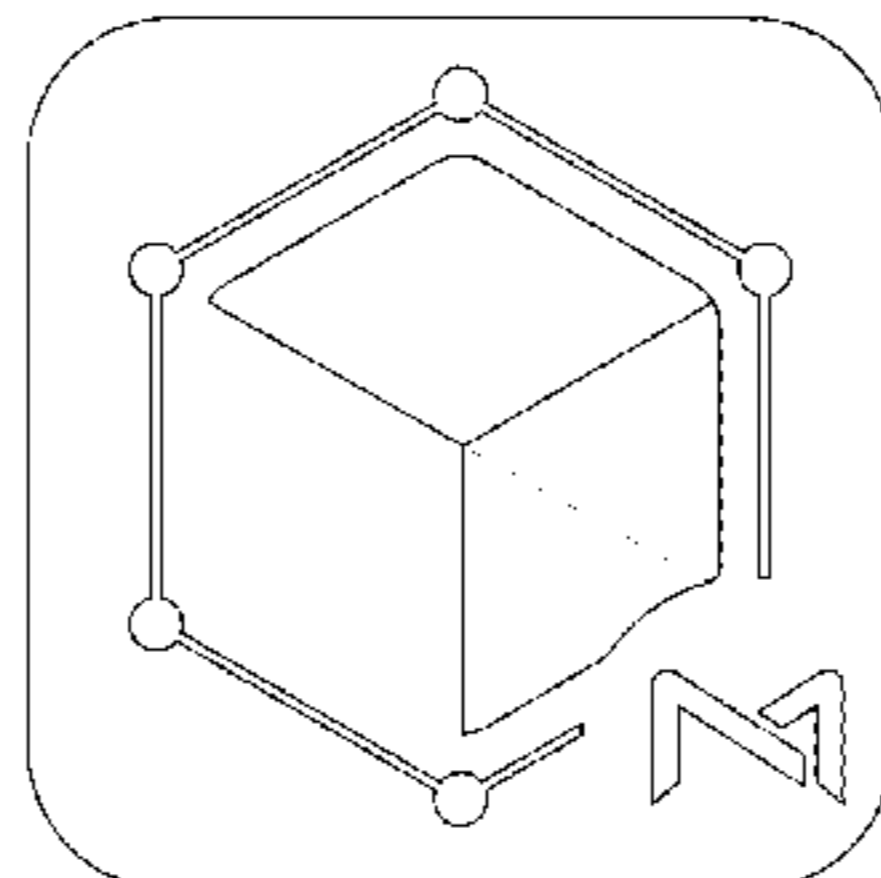
FIG. 1 is a front view of a display screen or portion thereof with icon showing my new design according to a first embodiment;
FIG. 2 is a front view thereof according to a second embodiment; and,
FIG. 3 is a front view thereof according to a third embodiment.

The outermost pair of broken lines illustrate the display screen or portion thereof and form no part of the claimed design.

The remaining broken lines in the figures depict portions of the icon which form no part of the claimed design.

The dot dash broken lines in the figures represent a boundary of the claimed design and form no part thereof.

1 Claim, 3 Drawing Sheets



(56)

References Cited

U.S. PATENT DOCUMENTS

D794,672 S	*	8/2017	Hirai	D14/489
D803,878 S	*	11/2017	Lin	D14/489
D812,095 S	*	3/2018	Kalanick	D14/489
D819,077 S	*	5/2018	Guzman	D14/489
D819,691 S	*	6/2018	Evans	D14/492
D836,671 S	*	12/2018	Guzman	D14/489
D842,337 S	*	3/2019	Pudipeddi	D14/492
D868,835 S	*	12/2019	Pudipeddi	D14/492
D885,431 S	*	5/2020	Griffin	D14/492
D888,761 S	*	6/2020	Pazmino	D14/489

FOREIGN PATENT DOCUMENTS

DE	402016201584-0006	5/2017
EM	001456727-0001	2/2017
EM	004022614-0001	6/2017

OTHER PUBLICATIONS

RaStudio, "3D Scanning Hand Drawn Outline" Feb. 20, 2019
<https://www.canstockphoto.com/3d-scanning-hand-drawn-outline-doodle-66404678.html>.*

* cited by examiner

FIG. 1

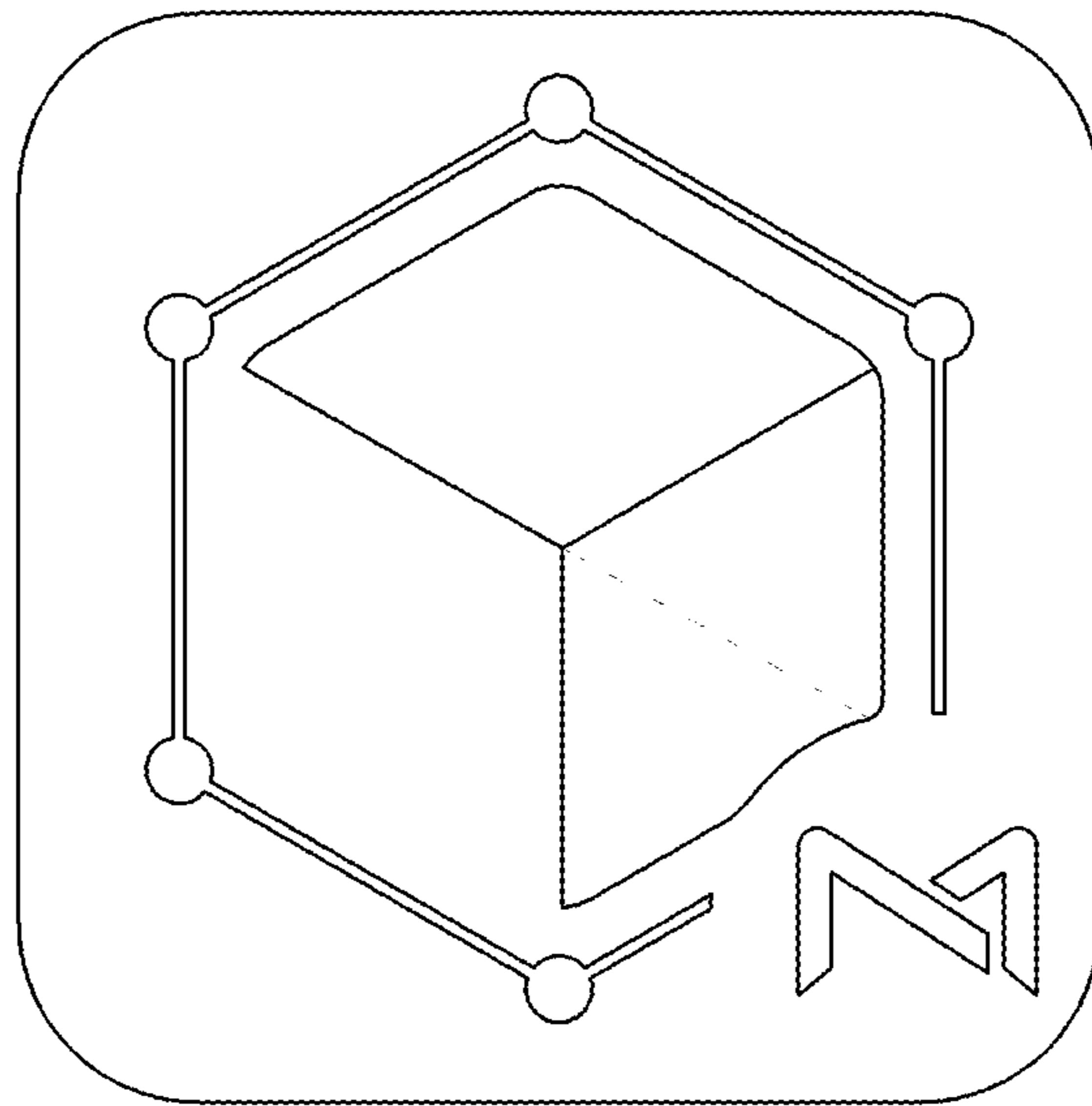


FIG. 2

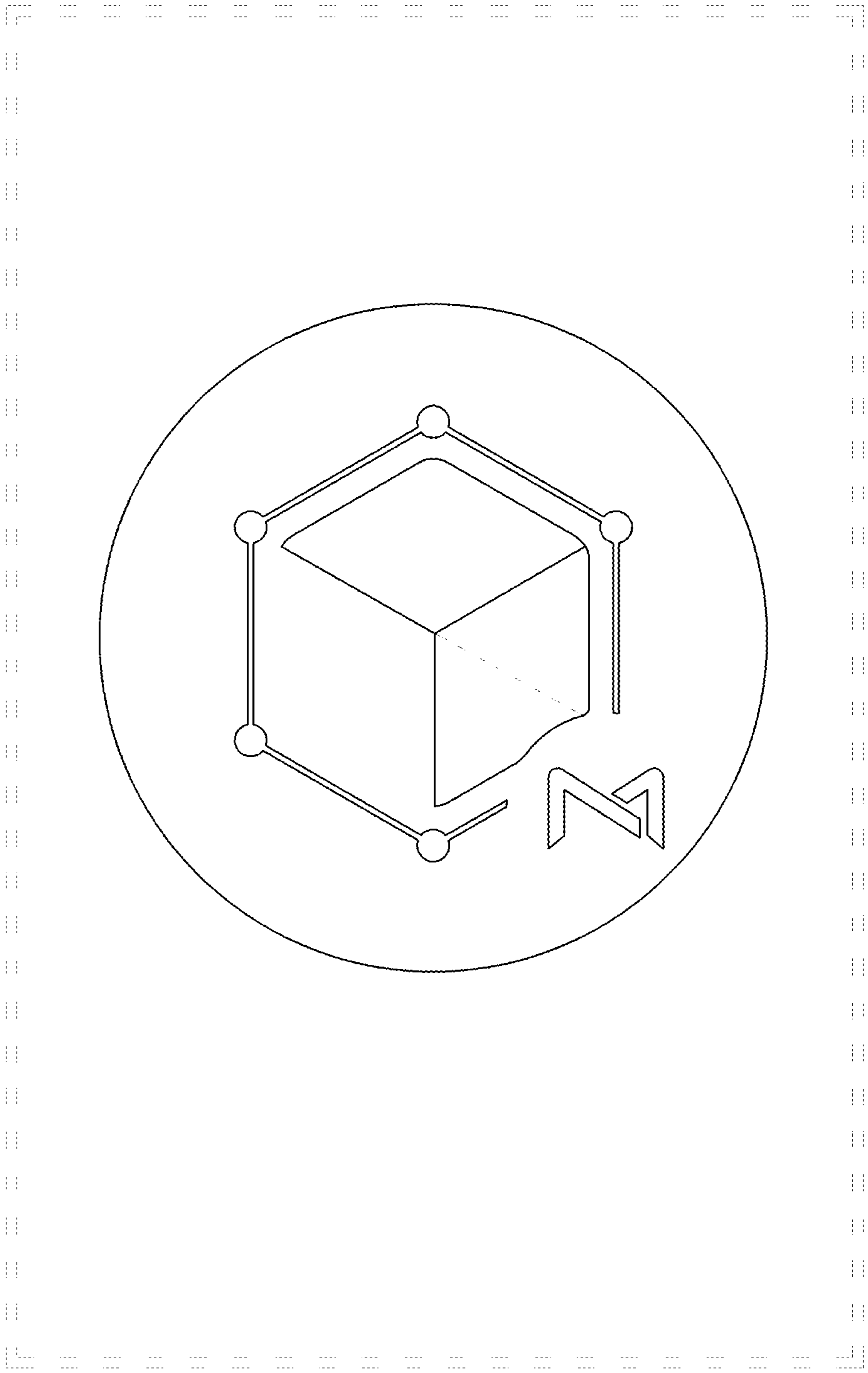


FIG. 3

