



US00D910055S

(12) **United States Design Patent** (10) **Patent No.:** **US D910,055 S**
Becker et al. (45) **Date of Patent:** **** Feb. 9, 2021**

(54) **ELECTRONIC DEVICE WITH GRAPHICAL USER INTERFACE**

H04N 2005/44517; H04N 2005/44521; H04N

(Continued)

(71) Applicant: **Apple Inc.**, Cupertino, CA (US)

(56) **References Cited**

(72) Inventors: **Zachary Z. Becker**, Santa Clara, CA (US); **Adam James Bolton**, San Jose, CA (US); **Michelle Tze Hiang Chua**, Seattle, WA (US); **Peter Justin Dollar**, Mountain View, CA (US); **David A. Lipton**, San Mateo, CA (US); **Robin-Yann Joram Storm**, Amsterdam (NL); **Eric Gregory Thivierge**, Sunnyvale, CA (US)

U.S. PATENT DOCUMENTS

D519,516 S * 4/2006 Najda D14/486
D590,406 S * 4/2009 Jasinski D14/485

(Continued)

OTHER PUBLICATIONS

“Autocad viewcube missing no more | 3 Methods.” youtube.com. 1:10-1:11. Sep. 5, 2018. Accessed Jun. 18, 2020. Available online at URL: <https://www.youtube.com/watch?v=70qnlMvErIQ> (Year: 2018).*

(Continued)

(73) Assignee: **Apple Inc.**, Cupertino, CA (US)

Primary Examiner — Christian P. McLean

(**) Term: **15 Years**

(74) *Attorney, Agent, or Firm* — Sterne, Kessler, Goldstein & Fox, P.L.L.C.

(21) Appl. No.: **29/693,576**

(57) **CLAIM**

(22) Filed: **Jun. 3, 2019**

The ornamental design for an electronic device with graphical user interface, as shown and described.

(51) **LOC (13) Cl.** **14-04**

DESCRIPTION

(52) **U.S. Cl.**

USPC **D14/486**

(58) **Field of Classification Search**

USPC D14/485–495

CPC G06F 3/048; G06F 3/0481; G06F 3/04812; G06F 3/04817; G06F 3/0482; G06F 3/0483; G06F 3/0484; G06F 3/04847; G06F 3/0485; G06F 3/04855; G06F 3/04886; G06Q 30/00; H03J 1/00; H03J 1/0008; H03J 1/0016; H03J 1/0025; H04N 5/00; H04N 5/08; H04N 5/14; H04N 5/222; H04N 5/225; H04N 5/232; H04N 5/445; H04N 5/44543; H04N 5/45;

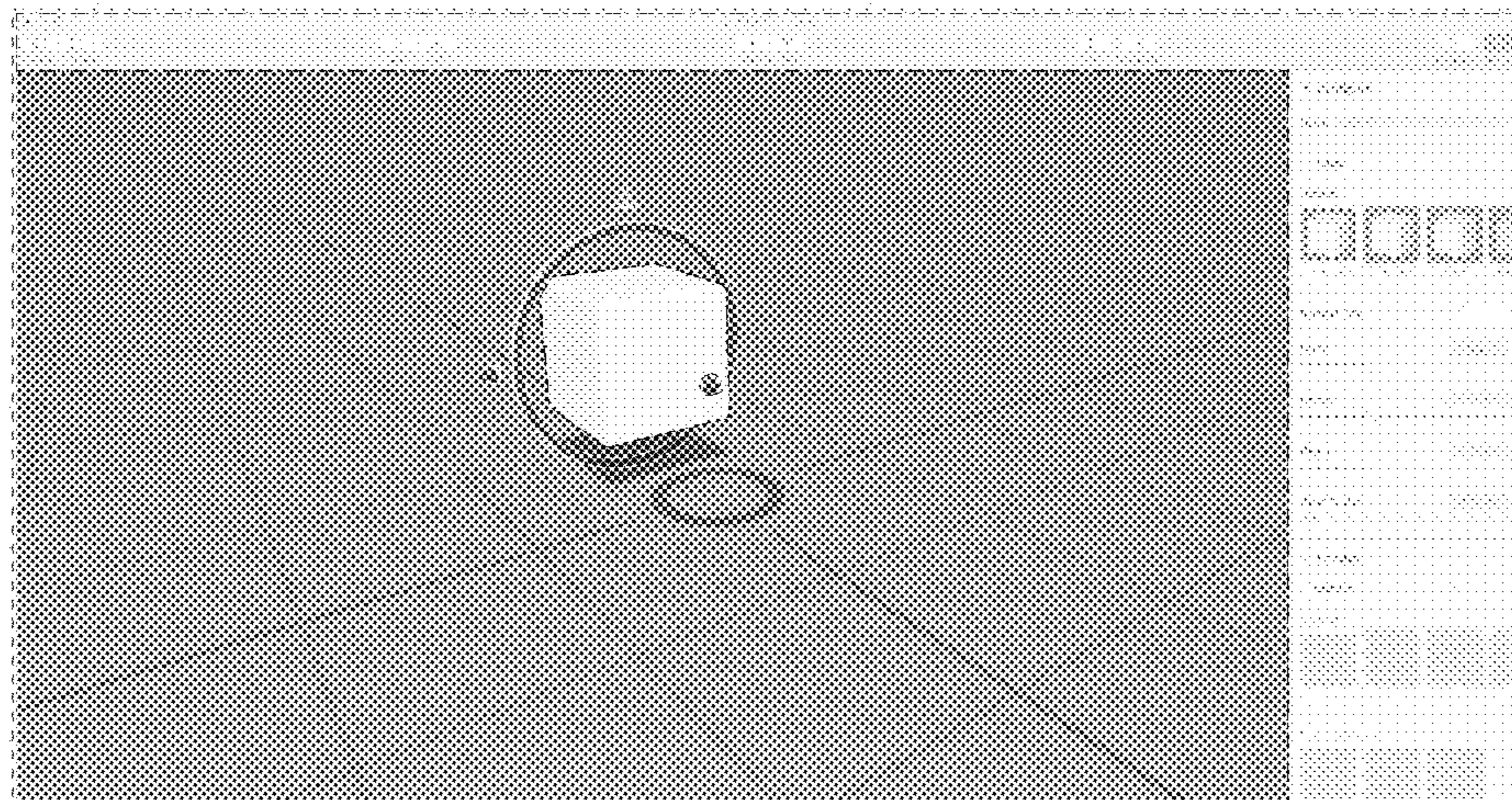
The file of this patent contains at least one drawing/photograph executed in color. Copies of this patent with color drawing(s)/photograph(s) will be provided by the Office upon request and payment of the necessary fee.

FIG. 1 is a front view of an electronic device with graphical user interface, showing the claimed design; and, FIG. 2 is a front view of another electronic device with graphical user interface, showing the claimed design.

The outer dashed broken lines in the figures show an electronic device having a display screen or portion thereof, or another electronic device having a display screen, and form no part of the claimed design.

The dot-dash broken lines in the figures and the areas within the dot-dash broken lines under the semi-transparent white

(Continued)



layer show portions of the graphical user interface that form no part of the claimed design.

**1 Claim, 2 Drawing Sheets
(2 of 2 Drawing Sheet(s) Filed in Color)**

(58) Field of Classification Search

CPC 2005/44526; H04N 2005/4453; H04N
2005/44534; H04N 2005/44539; H04N
2005/44547; H04N 2005/44556; H04N
2005/4456; H04N 2005/44565; H04N
2005/44569; H04N 2005/44573; H04N
21/00; H04N 21/234; H04N 21/431;
H04N 21/4312; H04N 21/4314; H04N
21/4316

See application file for complete search history.

(56) References Cited

U.S. PATENT DOCUMENTS

D602,027 S * 10/2009 Queric D14/485
D623,657 S * 9/2010 Fitzmaurice D14/488
D699,249 S * 2/2014 Fujii D14/486
D741,348 S 10/2015 Roberts
D741,887 S * 10/2015 Park D14/486
D741,888 S * 10/2015 Sic D14/486
D751,592 S * 3/2016 Link D14/486
D773,512 S 12/2016 Miura et al.
D774,074 S * 12/2016 Konishi D14/487

OTHER PUBLICATIONS

D774,075 S * 12/2016 Konishi D14/487
D794,665 S * 8/2017 Willis D14/486
D800,166 S * 10/2017 Hinze D14/492
D819,077 S * 5/2018 Guzman D14/489
D819,691 S 6/2018 Evans et al.
D835,156 S 12/2018 Griffin et al.
D836,671 S 12/2018 Guzman et al.
D857,036 S * 8/2019 Cummings D14/485
D862,515 S 10/2019 Guzman et al.
D885,431 S * 5/2020 Griffin D14/492
10,691,286 B2 * 6/2020 King G06T 15/60
2007/0061726 A1 * 3/2007 Rahn G06T 19/003
715/719
2011/0225538 A1 * 9/2011 Oyagi G06F 1/1692
715/781
2013/0097563 A1 * 4/2013 Pacheco Rodrigues Velho
G06F 3/03543
715/850
2013/0132909 A1 * 5/2013 Song G06F 3/0346
715/848
2016/0274572 A1 * 9/2016 Littrell B29C 64/386
2017/0351244 A1 * 12/2017 Wolf G05B 19/4063

“Sketchup 2017 vs 2018 User interface.” youtube.com. 0:33-0:35.
Nov. 27, 2017. Accessed Jun. 18, 2020. Available online at URL:
<https://www.youtube.com/watch?v=HSp6wFHxbDI> (Year: 2017).*
“Advanced Rhino 5 Tutorial | Creating Hatch Drawings.” 5:05-
5:06. Nov. 5, 2012. Accessed Jun. 18, 2020. Available online at
URL: https://www.youtube.com/watch?v=96_nzBf8eF0 (Year: 2012).*

* cited by examiner

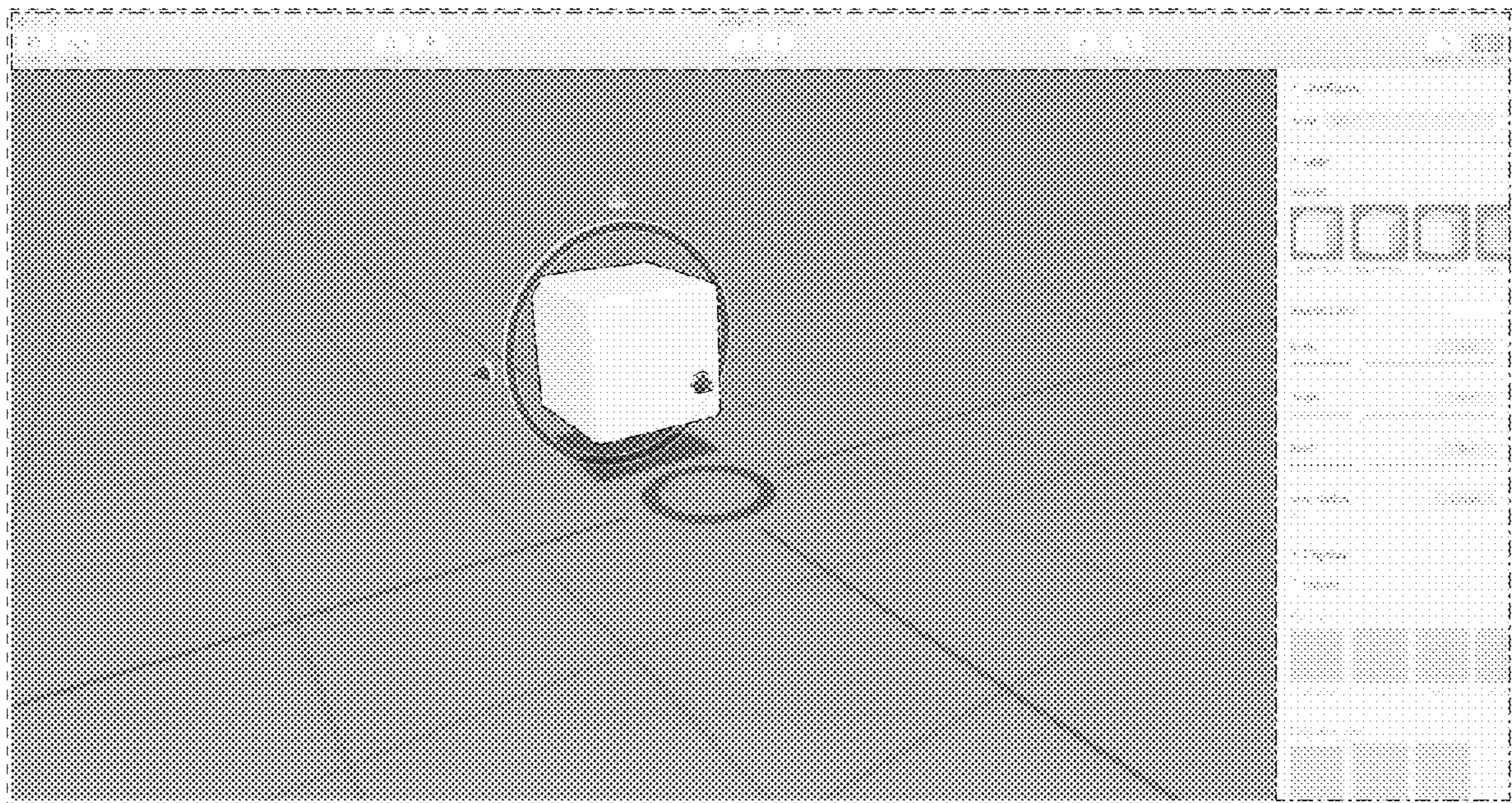


FIG. 1

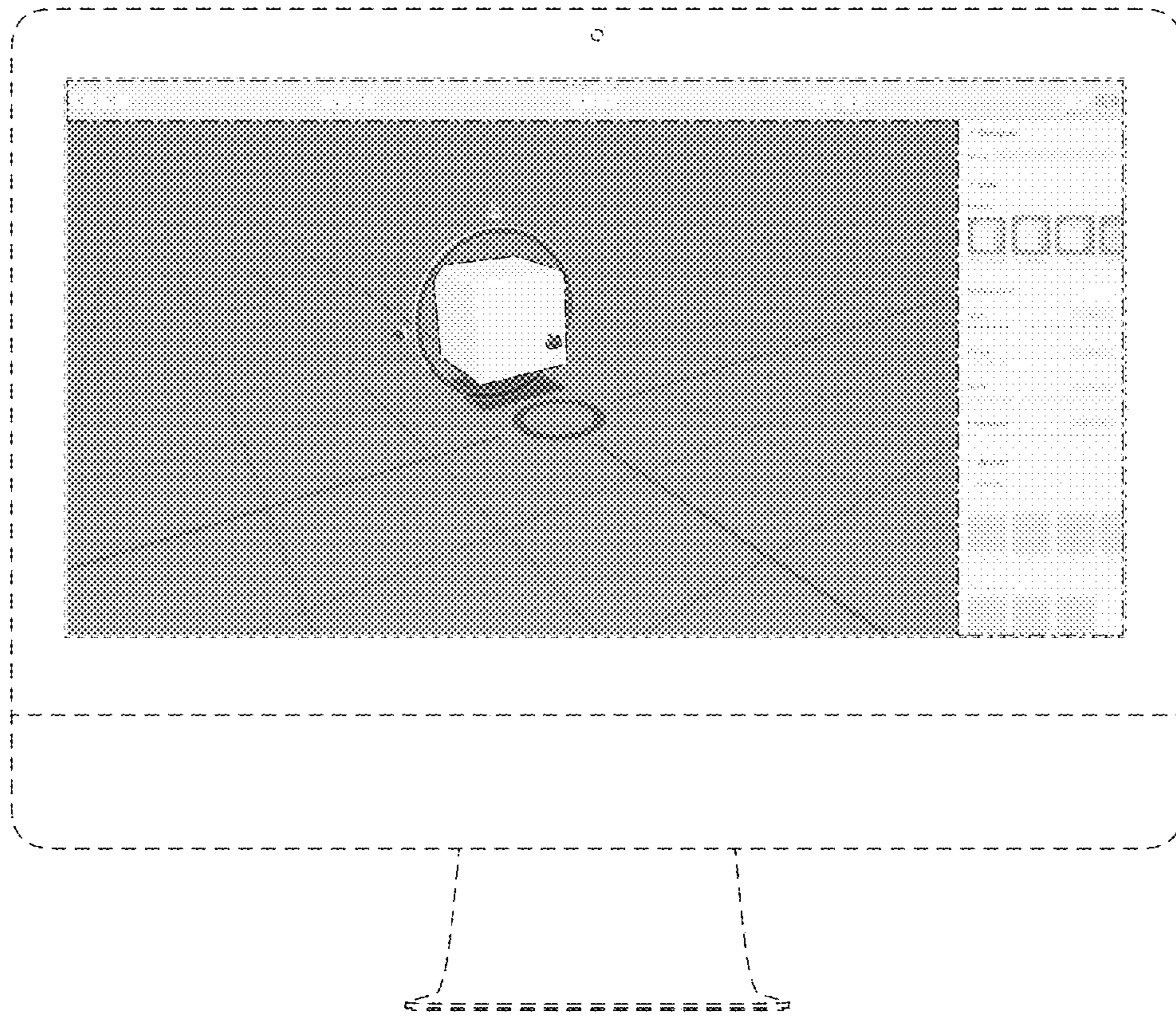


FIG. 2