



US00D910043S

(12) **United States Design Patent** (10) **Patent No.:** **US D910,043 S**  
**Broughton et al.** (45) **Date of Patent:** **\*\* Feb. 9, 2021**

(54) **DISPLAY SCREEN OR PORTION THEREOF WITH GRAPHICAL USER INTERFACE**

(71) Applicant: **Apple Inc.**, Cupertino, CA (US)

(72) Inventors: **Lee Broughton**, Santa Cruz, CA (US);  
**Kevin Will Chen**, Cupertino, CA (US);  
**Alan C. Dye**, San Francisco, CA (US);  
**Christopher Wilson**, San Francisco, CA (US);  
**Eric Lance Wilson**, San Jose, CA (US)

H04N 2005/44526; H04N 2005/4453;  
H04N 2005/44534; H04N 2005/44539;  
H04N 2005/44547; H04N 2005/44556;  
H04N 2005/4456; H04N 2005/44565;  
H04N 2005/44569; H04N 2005/44573;  
H04N 21/00; H04N 21/234; H04N  
21/431; H04N 21/4312; H04N 21/4314;  
H04N 21/4316

See application file for complete search history.

(73) Assignee: **Apple Inc.**, Cupertino, CA (US)

(\*\*) Term: **15 Years**

(21) Appl. No.: **29/736,975**

(22) Filed: **Jun. 4, 2020**

**Related U.S. Application Data**

(63) Continuation of application No. 29/682,306, filed on Mar. 4, 2019, now Pat. No. Des. 886,843, which is a continuation of application No. 29/650,891, filed on Jun. 11, 2018, now Pat. No. Des. 842,326, which is a continuation of application No. 29/616,004, filed on Sep. 1, 2017, now Pat. No. Des. 820,300, which is a continuation of application No. 29/567,732, filed on Jun. 11, 2016, now Pat. No. Des. 796,547.

(51) **LOC (13) Cl.** ..... **14-04**

(52) **U.S. Cl.**  
USPC ..... **D14/485**

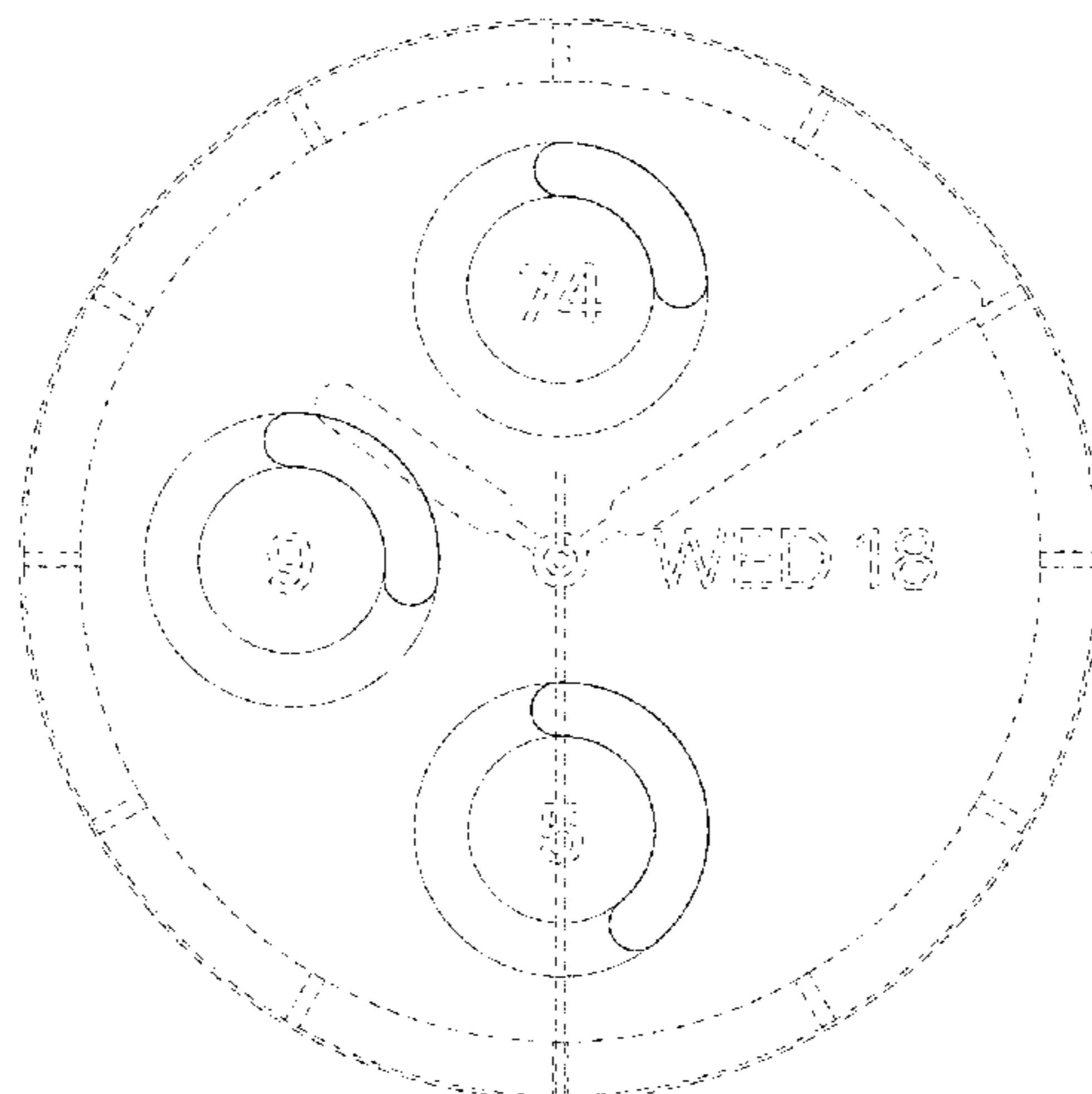
(58) **Field of Classification Search**  
USPC ..... D14/485-495; D10/1, 2, 15, 22, 38, 39  
CPC .... G06F 3/048; G06F 3/0481; G06F 3/04812;  
G06F 3/04817; G06F 3/0482; G06F  
3/0483; G06F 3/0484; G06F 3/04847;  
G06F 3/0485; G06F 3/04855; G06F  
3/04886; G06Q 30/00; H03J 1/00; H03J  
1/0008; H03J 1/0016; H03J 1/0025;  
H04N 5/00; H04N 5/08; H04N 5/14;  
H04N 5/222; H04N 5/225; H04N 5/232;  
H04N 5/445; H04N 5/44543; H04N 5/45;  
H04N 2005/44517; H04N 2005/44521;

(56)

**References Cited**

**U.S. PATENT DOCUMENTS**

D119,256 S	3/1940	Darling	
3,630,137 A	12/1971	Stimson et al.	
3,678,823 A	7/1972	Sato	
4,322,144 A	3/1982	Suzuki et al.	
D270,271 S	8/1983	Steele	
4,431,288 A	2/1984	Iwata et al.	
4,681,464 A *	7/1987	Ray .....	G04F 8/00 368/157
D396,455 S	7/1998	Bier	
5,798,760 A	8/1998	Vayda et al.	
5,892,507 A	4/1999	Moorby et al.	
D416,550 S	11/1999	Richter	
6,137,960 A	10/2000	Komatsuzaki et al.	
D437,342 S	2/2001	Kramer et al.	
D437,792 S	2/2001	Glauser	
D441,763 S	5/2001	Kahn et al.	
D445,428 S	7/2001	Pattenden	
D450,711 S	11/2001	Istvan et al.	
D461,822 S	8/2002	Okuley	
D474,197 S	5/2003	Nguyen	
D474,782 S	5/2003	Okuley	
D476,488 S	7/2003	White	
D493,177 S	7/2004	Retuta et al.	
D493,471 S	7/2004	McIntosh	
D500,766 S	1/2005	Hanisch et al.	
D505,135 S	5/2005	Sapp et al.	
D510,583 S	10/2005	Vong	
7,006,132 B2	2/2006	Pereira et al.	
D523,441 S	6/2006	Sapp et al.	
D525,981 S	8/2006	Hally et al.	
D536,343 S	2/2007	Fong et al.	
D540,337 S	4/2007	Parta	
D544,496 S	6/2007	Evans et al.	
D545,323 S	6/2007	Decombe	
7,305,622 B2	12/2007	Cohen et al.	
D563,965 S	3/2008	Van Dongen et al.	
7,343,565 B2	3/2008	Ying et al.	



# US D910,043 S

D565,588 S	4/2008	Sherry		D731,541 S	6/2015	Lee	
D568,178 S	5/2008	Giannini		D735,060 S	7/2015	Monachon	
D568,770 S	5/2008	Tseng		D735,754 S	8/2015	Chaudhri et al.	
7,367,723 B2	5/2008	Matusik et al.		D736,654 S	8/2015	Monachon	
D582,935 S	12/2008	Lee et al.		D737,159 S	8/2015	Akana et al.	
D589,371 S *	3/2009	Miloradovic .....	D10/32	D738,380 S	9/2015	Nielsen	
D590,416 S	4/2009	Kochackis		D740,300 S	10/2015	Lee et al.	
D593,580 S	6/2009	Truelove et al.		D741,898 S	10/2015	Soegiono et al.	
D597,101 S	7/2009	Chaudhri et al.		D742,390 S	11/2015	Bang et al.	
D604,305 S	11/2009	Anzures et al.		D744,356 S	12/2015	Akana et al.	
D604,307 S	11/2009	Stiller et al.		D746,295 S	12/2015	Arai et al.	
D606,091 S	12/2009	O'Donnell et al.		D746,828 S	1/2016	Arai et al.	
D606,551 S	12/2009	Willis		D749,634 S	2/2016	Cho	
D611,054 S	3/2010	Lin et al.		D750,646 S	3/2016	Tawa et al.	
D611,952 S	3/2010	Berg et al.		D751,108 S	3/2016	Caldwell et al.	
D612,398 S	3/2010	Lemay		D752,098 S	3/2016	Kim et al.	
7,692,635 B2	4/2010	Iwamura		D752,624 S	3/2016	Butcher et al.	
D615,096 S	5/2010	Muhlfelder		D753,696 S	4/2016	Dye et al.	
D617,334 S	6/2010	Chaudhri et al.		D754,046 S	4/2016	Chung	
D617,338 S	6/2010	McCain et al.		D754,173 S	4/2016	Kim	
D619,614 S	7/2010	O'Mullan et al.		D754,706 S	4/2016	Hwang et al.	
D623,656 S	9/2010	Fitzmaurice et al.		D755,221 S	5/2016	Kim et al.	
D625,320 S	10/2010	Woods et al.		D755,823 S	5/2016	Chen et al.	
D628,911 S	12/2010	Giannini		D755,825 S	5/2016	Hwang et al.	
D631,764 S	2/2011	Furetta		D756,373 S	5/2016	Raskin et al.	
D637,201 S	5/2011	Wasko et al.		D756,391 S	5/2016	Kouvas et al.	
D640,145 S	6/2011	Goto		D756,401 S	5/2016	Soldner et al.	
D640,574 S	6/2011	Giannini		D757,079 S	5/2016	Chaudhri et al.	
D641,374 S	7/2011	Fletcher et al.		D757,080 S	5/2016	Hou	
D642,588 S	8/2011	Anzures		D759,077 S	6/2016	Bergmann et al.	
D644,239 S	8/2011	Anzures et al.		D759,079 S	6/2016	Carlton et al.	
D644,242 S	8/2011	Matas		D760,286 S	6/2016	Park	
D644,243 S	8/2011	Matas		D760,290 S	6/2016	Huang et al.	
D645,470 S	9/2011	Matas		D760,768 S	7/2016	Um et al.	
D647,914 S	11/2011	Brouwers et al.		D760,791 S	7/2016	Liu	
D649,557 S	11/2011	Duchene		D761,277 S	7/2016	Harvell et al.	
D649,889 S	12/2011	Giannini		D761,297 S	7/2016	Eder	
D650,705 S	12/2011	Blank		D761,812 S	7/2016	Motamedi	
8,077,153 B2	12/2011	Benko et al.		D761,857 S	7/2016	Mariet et al.	
D654,925 S	2/2012	Nishizawa et al.		D762,655 S	8/2016	Kai	
8,151,209 B2	4/2012	Law et al.		D762,659 S	8/2016	Butcher et al.	
D659,159 S	5/2012	Matas		D762,660 S	8/2016	Butcher et al.	
D661,701 S	6/2012	Brown et al.		D762,673 S	8/2016	Seo et al.	
D662,848 S *	7/2012	Ganz .....	D10/126	D763,309 S	8/2016	Seo et al.	
8,230,339 B2	7/2012	Watanabe et al.		D763,868 S	8/2016	Kim et al.	
8,255,454 B2	8/2012	Broda et al.		D763,869 S	8/2016	Wang et al.	
D667,019 S	9/2012	Chaudhri		D763,877 S	8/2016	Yu	
D667,316 S	9/2012	Tonohori		D765,091 S	8/2016	Del Lima et al.	
D669,497 S	10/2012	Lee et al.		D765,114 S	8/2016	Chaudhri et al.	
D671,550 S	11/2012	Chen et al.		D765,681 S	9/2016	Nagel et al.	
8,327,272 B2	12/2012	Anzures et al.		D765,693 S	9/2016	Chaudhri et al.	
D676,060 S	2/2013	Frost et al.		D766,289 S	9/2016	Bauer et al.	
8,386,961 B2	2/2013	Buffet et al.		D766,917 S	9/2016	Kwon et al.	
D684,586 S	6/2013	Plesnicher et al.		D766,950 S	9/2016	Dye et al.	
D686,218 S	7/2013	Anzures et al.		9,448,536 B1	9/2016	Kahn et al.	
D686,245 S	7/2013	Gardner et al.		D768,179 S	10/2016	Akana et al.	
D687,460 S	8/2013	Tyler et al.		D771,076 S	11/2016	Butcher et al.	
D687,851 S *	8/2013	Sloo .....	D14/487	D772,932 S	11/2016	Chen et al.	
8,612,151 B2	12/2013	Winkler et al.		D772,941 S	11/2016	Nuovo et al.	
8,630,801 B2	1/2014	Katzer		D773,333 S	12/2016	Monachon	
D700,207 S	2/2014	Pearson et al.		D777,735 S *	1/2017	Kim .....	D14/485
D702,710 S	4/2014	Vanos		D781,878 S	3/2017	Butcher et al.	
D702,718 S	4/2014	Abratowski et al.		D781,879 S	3/2017	Butcher et al.	
D703,554 S	4/2014	Emmenegger et al.		D784,389 S	4/2017	Kim et al.	
D704,220 S	5/2014	Lim et al.		D786,278 S	5/2017	Motamedi	
D705,245 S	5/2014	Coffiman et al.		D787,551 S *	5/2017	Oh .....	D14/489
D705,810 S	5/2014	Ma et al.		D788,154 S *	5/2017	Kim .....	D14/487
D706,283 S	6/2014	Padilla et al.		D789,385 S	6/2017	Butcher et al.	
D707,696 S	6/2014	Bentley		D795,906 S	8/2017	Butrick	
D709,091 S	7/2014	Kwon et al.		D796,543 S	9/2017	Broughton et al.	
D710,367 S	8/2014	Quattrocchi		D796,546 S	9/2017	Chen et al.	
D710,371 S	8/2014	Vanos		D796,547 S	9/2017	Broughton et al.	
D711,909 S	8/2014	Chaudhri		D797,135 S	9/2017	Chaudhri et al.	
D721,724 S	1/2015	Horst et al.		D797,783 S	9/2017	Broughton et al.	
D723,575 S *	3/2015	Cook, III .....	D14/485	D800,769 S	10/2017	Hennessy et al.	
D726,219 S	4/2015	Chaudhri et al.		D801,365 S *	10/2017	Broughton .....	D14/486
D727,336 S	4/2015	Allison et al.		D801,369 S	10/2017	Chaudhri et al.	
D728,616 S	5/2015	Gomez et al.		D801,389 S	10/2017	Jung et al.	
D730,397 S	5/2015	Oh et al.		D802,003 S	11/2017	Jeon et al.	



D802,021 S 11/2017 Pirklbauer  
 D803,849 S 11/2017 Chaudhri et al.  
 D803,855 S 11/2017 Chen et al.  
 D803,879 S 11/2017 Broughton et al.  
 D804,502 S 12/2017 Amini et al.  
 D804,526 S 12/2017 Chen et al.  
 D805,550 S 12/2017 Butcher et al.  
 D806,107 S 12/2017 Kim et al.  
 D806,119 S 12/2017 Anzures et al.  
 D808,983 S \* 1/2018 Narinedhat ..... D14/485  
 D813,892 S 3/2018 Chaudhri et al.  
 D815,134 S 4/2018 Kim et al.  
 D820,300 S 6/2018 Broughton et al.  
 D822,710 S \* 7/2018 Loi ..... D14/487  
 D823,859 S \* 7/2018 Boyd ..... D14/485  
 D824,400 S 7/2018 Chang et al.  
 10,063,908 B2 \* 8/2018 Jain ..... G06F 1/163  
 D830,410 S 10/2018 Butcher et al.  
 D840,414 S 2/2019 Chen et al.  
 D840,423 S 2/2019 Narinedhat et al.  
 D842,326 S 3/2019 Broughton et al.  
 D844,636 S 4/2019 Kim et al.  
 D846,585 S \* 4/2019 Hong ..... D14/486  
 D851,099 S 6/2019 Uppala et al.  
 D851,107 S 6/2019 Kim et al.  
 D857,053 S \* 8/2019 Elia ..... D14/487  
 D858,553 S 9/2019 Chaudhri et al.  
 D859,431 S 9/2019 Chaudhri et al.  
 D862,503 S 10/2019 Dye et al.  
 D866,592 S \* 11/2019 Hong ..... D14/488  
 D868,094 S 11/2019 Chen et al.  
 10,466,883 B2 11/2019 Fleizach et al.  
 D868,809 S \* 12/2019 Cullum ..... D14/486  
 D870,758 S 12/2019 Chen  
 D873,279 S 1/2020 Dye et al.  
 D873,841 S 1/2020 Kim et al.  
 D876,456 S 2/2020 Broughton et al.  
 D886,843 S 6/2020 Broughton et al.  
 D888,079 S \* 6/2020 Lee ..... D14/485  
 D892,819 S \* 8/2020 Mensinger ..... D14/485  
 D898,070 S \* 10/2020 Kang ..... D14/487  
 D898,755 S \* 10/2020 Chen ..... D14/486  
 2002/0113824 A1 8/2002 Myers, Jr.  
 2004/0141010 A1 7/2004 Fitzmaurice et al.  
 2005/0010955 A1 1/2005 Elia et al.  
 2007/0136679 A1 6/2007 Yang  
 2007/0226648 A1 9/2007 Hudson et al.  
 2008/0098331 A1 4/2008 Novick et al.  
 2008/0126992 A1 5/2008 Scheu et al.  
 2009/0113333 A1 4/2009 Dellinger et al.  
 2009/0187335 A1 7/2009 Muhlfelder et al.  
 2010/0091615 A1 4/2010 Scott et al.  
 2010/0146433 A1 6/2010 Murata et al.  
 2010/0157742 A1 6/2010 Relyea et al.  
 2010/0231523 A1 9/2010 Chou  
 2011/0041095 A1 2/2011 Reed  
 2011/0047014 A1 2/2011 DeAngelo  
 2012/0036459 A1 2/2012 Pei et al.  
 2012/0068854 A1 3/2012 Shiflet et al.  
 2013/0019182 A1 1/2013 Gil et al.  
 2013/0058198 A1 3/2013 Tu et al.  
 2013/0174097 A1 7/2013 Wernecke  
 2013/0227450 A1 8/2013 Na et al.  
 2013/0271482 A1 10/2013 Fendley  
 2013/0298024 A1 \* 11/2013 Rhee ..... G06F 21/31  
 715/716  
 2013/0339904 A1 12/2013 Geithner  
 2014/0317542 A1 10/2014 Kim et al.  
 2015/0082162 A1 3/2015 Cho et al.  
 2015/0085622 A1 3/2015 Carreel et al.  
 2015/0146504 A1 5/2015 Derrrey et al.  
 2015/0253736 A1 9/2015 Watterson  
 2015/0363065 A1 12/2015 Kim et al.  
 2016/0034133 A1 2/2016 Wilson et al.  
 2016/0259488 A1 9/2016 Chan et al.  
 2016/0357282 A1 12/2016 Block et al.  
 2016/0357386 A1 12/2016 Choi  
 2017/0160898 A1 \* 6/2017 Lee ..... H04W 52/0254  
 2017/0357426 A1 12/2017 Wilson et al.

2018/0218636 A1 8/2018 Alaouf et al.  
 2019/0339860 A1 \* 11/2019 Chen ..... G06F 1/163  
 2020/0356063 A1 \* 11/2020 Guzman ..... G06F 3/0362

FOREIGN PATENT DOCUMENTS

AU	201616968	1/2017
BR	D16801759-6 F	8/2009
EM	000839469-0062	2/2008
EM	001236749-0002	3/2011
JP	D1307826	8/2007
KR	30-0668662	11/2013
KR	30-0906054	5/2017

OTHER PUBLICATIONS

“Tick + Apple Watch: Tracking time has never been easier.”  
 tickspot.com. Available Apr. 20, 2015. Accessed Nov. 16, 2020.  
 Retrieved online via Internet Archive Wayback Machine at URL:  
[https://www.phonearena.com/news/Apple-Watch-update-Apple-shows-new-timekeeping-health-and-fitness-features\\_id63295](https://www.phonearena.com/news/Apple-Watch-update-Apple-shows-new-timekeeping-health-and-fitness-features_id63295) (Year: 2015).\*

Weiss, Todd. “Android Wear Gets Support for Interactive Watch Faces.”  
 eweek.com. Aug. 21, 2015. Accessed Nov. 16, 2020.  
 Available online at URL: <https://www.eweek.com/mobile/android-wear-gets-support-for-interactive-watch-faces> (Year: 2015).\*

Piekarski, Wayne. “Interactive watch faces with the latest Android Wear update.”  
 android-developers.googleblog.com. Aug. 20, 2015.  
 Accessed Nov. 16, 2020. Available online at URL: <https://android-developers.googleblog.com/2015/08/interactive-watch-faces-with-latest.html> (Year: 2015).\*

“Moto 360 2nd Gen smartwatch collection is fashion-forward and functional.”  
 qualcomm.com. Sep. 2, 2015. Accessed Nov. 17, 2020.  
 Available online at URL: <https://www.qualcomm.com/news/onq/2015/09/02/moto-360-2nd-gen-smartwatch-collection-fashion-forward-and-functional> (Year: 2015).\*

“App clock Icon”, posted at iconarchive.com, Aug. 13, 2011.  
 Available from Internet: <<http://www.iconarchive.com/show/crystal-clear-icons-by-everaldo/App-clockicon.html>>.

“JPO’s document HJ230402 1 4 dated Oct. 24, 2011, cited in Official Action for JP2015-004453.”

“““Vector Wall Clock””, posted at canstockphoto.com, Oct. 22, 2012. Available from Internet: <[http://www.canstockphoto.com/illustration/watch.html#file\\_view.php?id=11287520](http://www.canstockphoto.com/illustration/watch.html#file_view.php?id=11287520)>”.

“Dezeen Magazine, ““No. I by Form Us With Love for TID Watches”” <<http://www.dezeen.com/2012/10/29/no-1-watch-by-form-us-with-love-for-tid-atdezeen-watch-store/>> dated Oct. 29, 2012. ”

“JPO’s document HJ250065 11 dated Apr. 30, 2014, cited in Official Action for JP2015-004453.”

“““Hybrid Apple Watch Thin v.3.”” facerepo.com. Uploaded Nov. 12, 2015. Accessed Jun. 4, 2017. Available online at URL: <<https://facerepo.com/app/faces/details/hybrid-applewatch-thin-v-3-15-0fec19e72>>”.

“Hollington, Jesse. ““Instant Expert: Secrets & Features ofwatchOS 3.”” ilounge.com. Sep. 15, 2016. Accessed Jun. 4, 2016. Available online at URL: <<http://www.ilounge.com/index.php/articles/comments/instant-expert-secrets-featuresof-watchos-3>>”.

“Dashboard Widgets, Webcams, Wembley Webcam 1.0, located at <http://www.apple.com/downloads/dashboard/webcams/index2.html>, 2 pages.”

“Registered Trademark Serial No. 78157294, Seagate Technology, filed Aug. 23, 2002.”

“Dashboard Widgets, Webcams, MelaVedo, dated Jan. 12, 2006, located at <http://www.apple.com/downloads/dashboard/webcams/>, 3 pages.”

“Dashboard Widgets, Shopping, BBC Motion Gallery Search Widget, dated Apr. 25, 2006, located at <http://www.apple.com/downloads/dashboard/shopping/index4.html>, 3 pages.”

“Trademark Serial No. 78735768, published for opposition Aug. 29, 2006, (Registrant) Microsoft, Trademark Electronic Service System (TESS).”



“Registered Trademark Serial No. 77235043, Apple Inc., filing date Jul. 20, 2007, first use date Jun. 28, 2005.”

Registered Trademark U.S. Appl. No. 85069782, Apple Inc., filing date Jun. 23, 2010.

“Arc Live Clock Wallpaper Lite, posted date Mar. 3, 2012, play.gofreeshare.com, Copyright© 2016, site visited Feb. 29, 2016, Available from Internet, <<http://play.gofreeshare.com/app/gp9cf43h1f5i0/Arc%20Live%20Clock%20Wallpaper%20Lite.html>>”.

“When it Comes to iOS 7 Design, Apple and Developers Speak Different Languages, posted Jul. 2, 2013, [http://www.maclife.com/article/columns/when\\_it\\_comes\\_ios\\_7\\_design\\_apple\\_and\\_developers\\_speak\\_different\\_languages](http://www.maclife.com/article/columns/when_it_comes_ios_7_design_apple_and_developers_speak_different_languages).”

“Ultimate Info graphic Resource Kits for Designers, posted around or before Sep. 26, 2013, hongkiat.com, site visited Feb. 18, 2016, Available from Internet, <<http://www.hongkiat.com/blog/info-graphics-resource-kits/#comment-1072640> 5 23 >”.

“Registered Trademark Serial No. 86238890, Apple Inc., filing date Apr. 1, 2014, priority date Oct. 8, 2013.”

“Registered Trademark Serial No. 86238947, Apple Inc., filing date Apr. 1, 2014, priority date Oct. 8, 2013.”

Registered Trademark Serial No. 86239011, Apple Inc., filing date Apr. 1, 2014.

“Registered Trademark Serial No. 86350204, Apple Inc., filing date Jul. 28, 2014, priority date Jan. 29, 2014.”

“Apple iWatch-The New Fitness Tracker, posted date Oct. 14, 2014, [www.workouttrends.com](http://www.workouttrends.com), Copyright © 2014, site visited Jan. 11, 2016, Available from Internet, <<http://workouttrends.com/apple-iwatch-fitness>>”.

“Registered Trademark Serial No. 86526959, Apple Inc., filing date Feb. 6, 2015, priority date Sep. 17, 2014.”

“Registered Trademark Serial No. 86527039, Apple Inc., filing date Feb. 6, 2015, priority date Sep. 17, 2014.”

“Registered Trademark Serial No. 86527069, Apple Inc., filing date Feb. 6, 2015, priority date Sep. 17, 2014.”

“Registered Trademark Serial No. 86533674, Apple Inc., filing date Feb. 12, 2015, priority date Sep. 8, 2014.”

Registered Trademark Serial No. 86514929, Apple Inc., filing date Jan. 26, 2015.

“Dulp: Color Wheel Blast, updated Jan. 7, 2016, [www.iosmobileapp.com](http://www.iosmobileapp.com), Copyright © 2015, site visited Jan. 14, 2016, Available from Internet, [http://www.iosmobileapp.com/nexx\\_studio/dulp\\_color\\_wheel\\_blast!\\_appId1040871937](http://www.iosmobileapp.com/nexx_studio/dulp_color_wheel_blast!_appId1040871937).”

“Registered Trademark Serial No. 85316306, Apple Inc., filing date May 9, 2011, first use date Apr. 8, 2010.”

“Trademark Serial No. 86738558; Owner: Apple Inc.; Filed: Aug. 26, 2015; Priority Date: Mar. 4, 2015.”

“How to Use the Pedometer on Apple Watch to Count Steps & Distance.”“osxdaily.com. Dec. 20, 2015. <http://osxdaily.com/2015/12/20/use-pedometer-applewatch-step-co-unt/>”.

“How to Pick, Change and Customize Your Apple Watch Clock Face.”“iphoneinformer.com. Apr. 26, 2015. <http://www.iphoneinformer.com/23686-how-topick-change-and-customize-your-apple-watch-clock-face/>”.

“McGarry, Caitlin. “watchOS 3 FAQ: Glances are going away as Watch apps speed up and move to a Dock.”“Jun. 15, 2016. [macworld.com](http://www.macworld.com). Jun. 15, 2016. <https://www.macworld.com/article/3083906/wearables/watchos-3-faq-glances-aregoing-away-as-watch-apps-speed-up-and-move-to>”.

\* cited by examiner

*Primary Examiner* — Christian P. McLean  
(74) *Attorney, Agent, or Firm* — Sterne, Kessler, Goldstein & Fox P.L.L.C.

(57) **CLAIM**

The ornamental design for a display screen or portion thereof with graphical user interface, as shown and described.

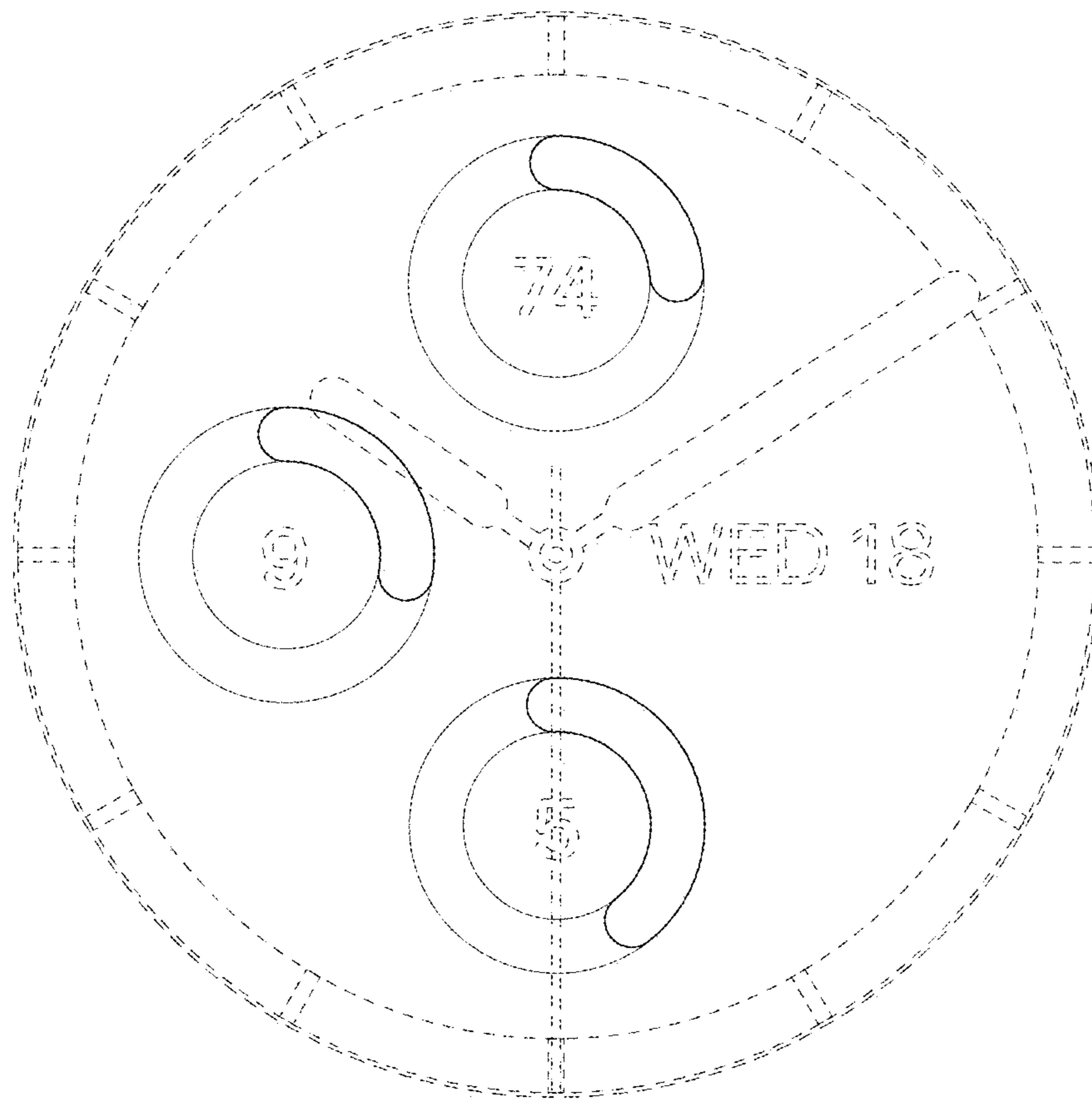
**DESCRIPTION**

FIG. 1 is a front view of a display screen or portion thereof with graphical user interface showing the claimed design; and,

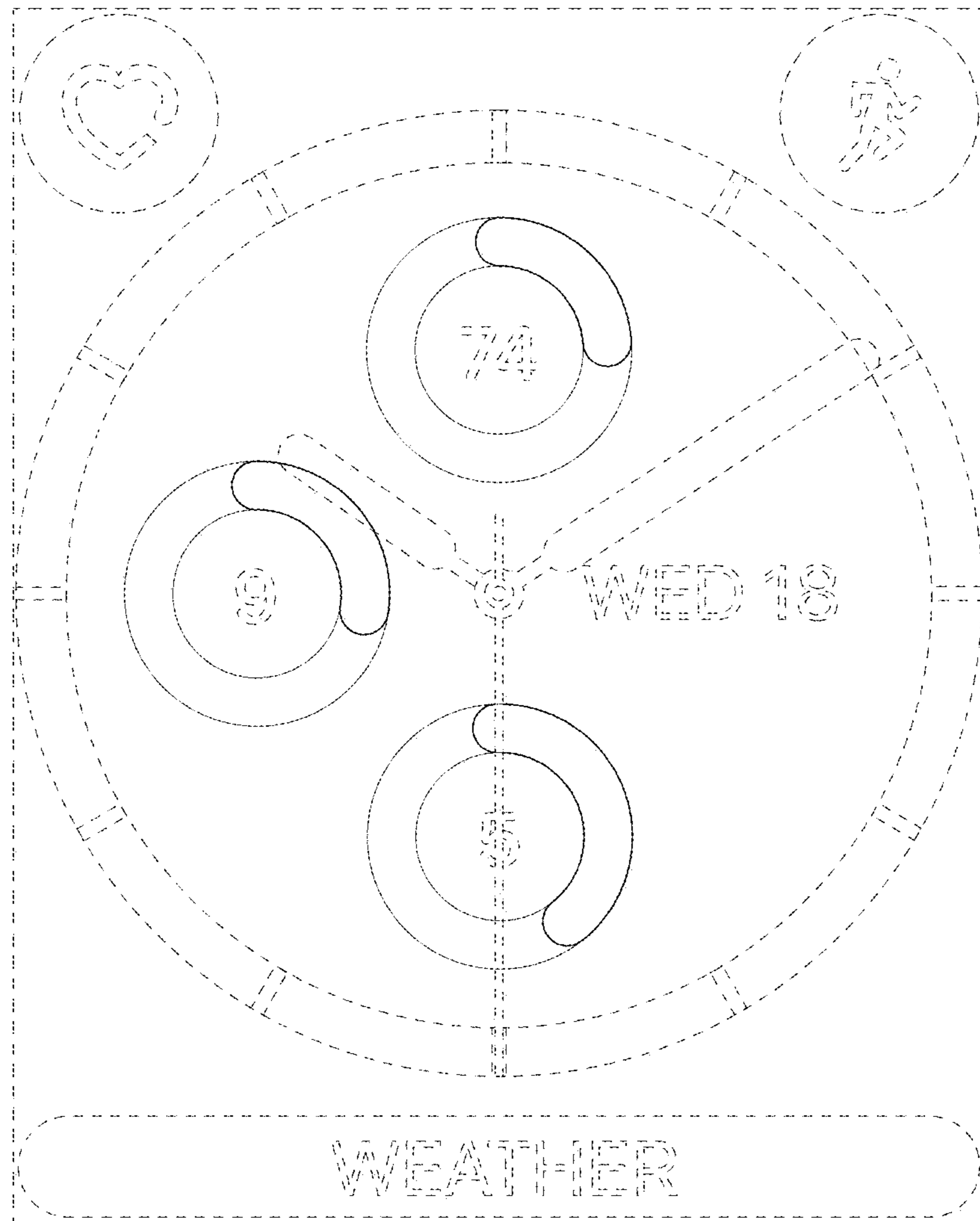
FIG. 2 is another embodiment thereof.

The outer broken lines in the figures show a display screen or portion thereof, and form no part of the claimed design. The other broken lines in the figures show portions of the graphical user interface that form no part of the claimed design.

**1 Claim, 2 Drawing Sheets**



**FIG. 1**



**FIG. 2**