



US00D910033S

(12) **United States Design Patent**  
**Kim**

(10) **Patent No.:** **US D910,033 S**

(45) **Date of Patent:** **\*\* Feb. 9, 2021**

(54) **DISPLAY SCREEN OR PORTION THEREOF WITH TRANSITIONAL GRAPHICAL USER INTERFACE**

(71) Applicant: **Samsung Electronics Co., Ltd.**,  
Suwon-si (KR)

(72) Inventor: **Dasom Kim**, Suwon-si (KR)

(73) Assignee: **Samsung Electronics Co., Ltd.**,  
Suwon-si (KR)

(\*\*) Term: **15 Years**

(21) Appl. No.: **29/701,839**

(22) Filed: **Aug. 15, 2019**

(30) **Foreign Application Priority Data**

Feb. 18, 2019 (KR) ..... 30-2019-0007252

(51) **LOC (13) Cl.** ..... **14-04**

(52) **U.S. Cl.**  
USPC ..... **D14/485**

(58) **Field of Classification Search**  
USPC ..... D14/485-495  
CPC ..... G06T 13/00; G06T 13/80; G06F 3/04845  
See application file for complete search history.

(56) **References Cited**

**U.S. PATENT DOCUMENTS**

D719,963 S *	12/2014	Hobbs	.....	D14/486
D801,997 S *	11/2017	Kim	.....	D14/486
D807,912 S *	1/2018	Kim	.....	D14/488
D870,125 S *	12/2019	Shim	.....	D14/485
D892,833 S *	8/2020	Onuma	.....	D14/486
2018/0329590 A1 *	11/2018	Garg	.....	G06F 3/04842

\* cited by examiner

*Primary Examiner* — Richelle G Shelton  
(74) *Attorney, Agent, or Firm* — NSIP Law

(57) **CLAIM**

I claim the ornamental design for a display screen or portion thereof with transitional graphical user interface, as shown and described.

**DESCRIPTION**

FIG. 1 is a first image in a sequence of a display screen or portion thereof with transitional graphical user interface showing my new design according to the first embodiment; FIG. 2 is a second image thereof; FIG. 3 is a third image thereof; FIG. 4 is a fourth image thereof; FIG. 5 is a first image in a sequence of a display screen or portion thereof with transitional graphical user interface showing my new design according to the second embodiment; FIG. 6 is a second image thereof; FIG. 7 is a third image thereof; FIG. 8 is a fourth image thereof; FIG. 9 is a first image in a sequence of a display screen or portion thereof with transitional graphical user interface showing my new design according to the third embodiment; FIG. 10 is a second image thereof; FIG. 11 is a third image thereof; and, FIG. 12 is a fourth image thereof.

The outermost broken line showing of the display screen or portion thereof is for environmental purposes only and forms no part of the claimed design.

The remaining broken lines in the figures depict portions of the transitional graphical user interface which form no part of the claimed design.

The appearance of the transitional graphical user interface sequentially transitions between the images shown in FIGS. 1-4, FIGS. 5-8 and FIGS. 9-12, respectively. The process or period in which one image transitions to another forms no part of the claimed design.

**1 Claim, 12 Drawing Sheets**

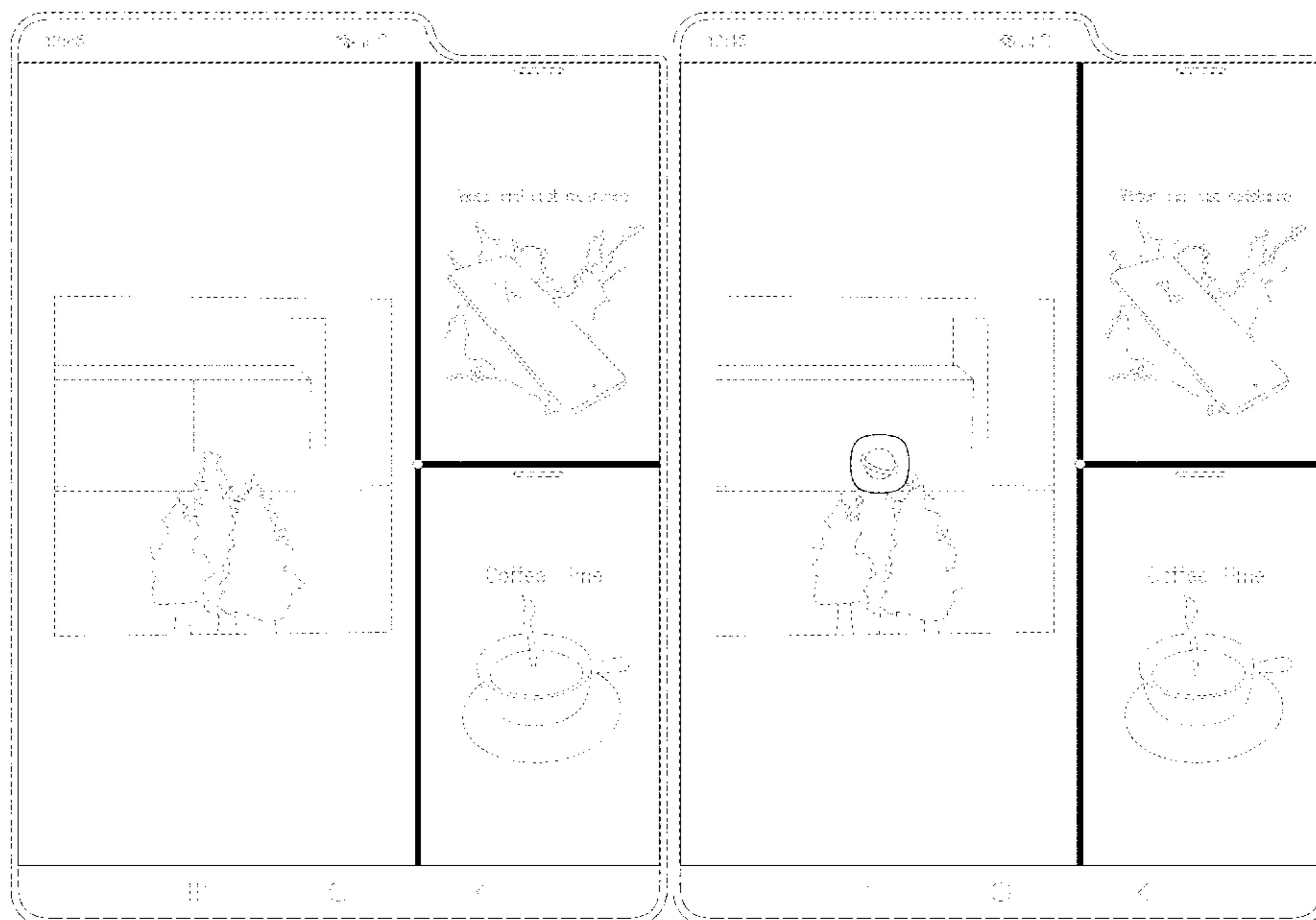


FIG. 1

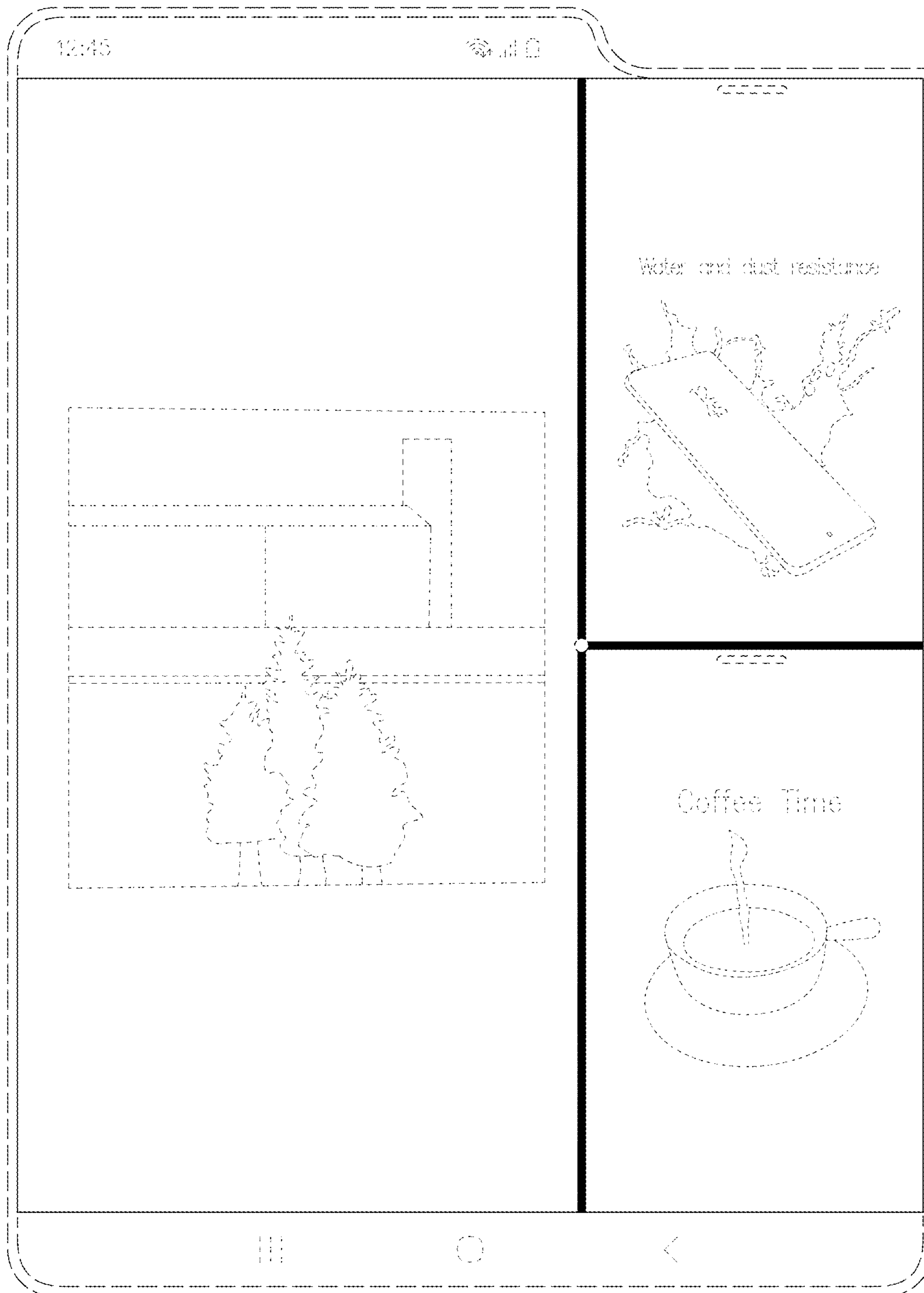


FIG. 2

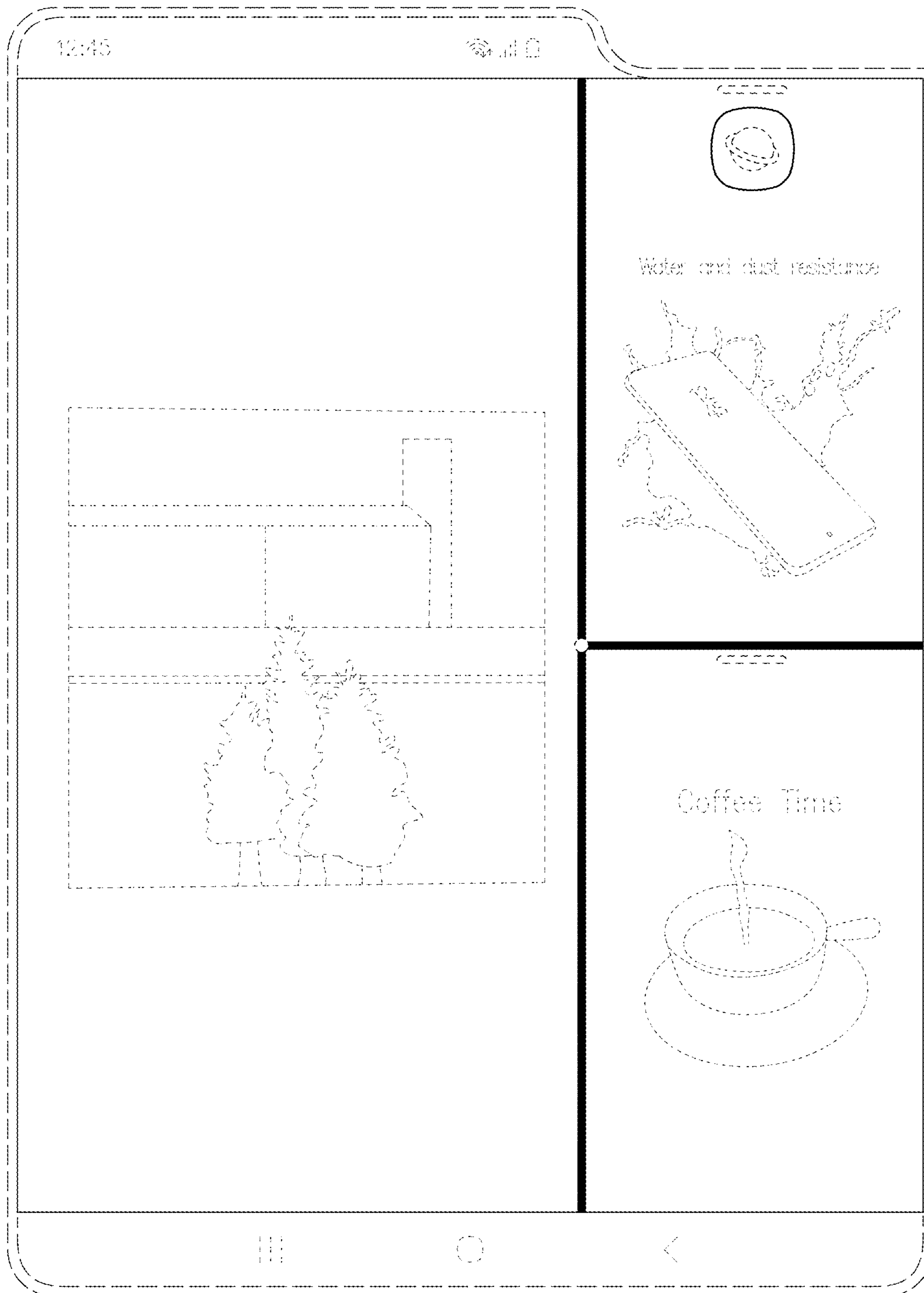


FIG. 3

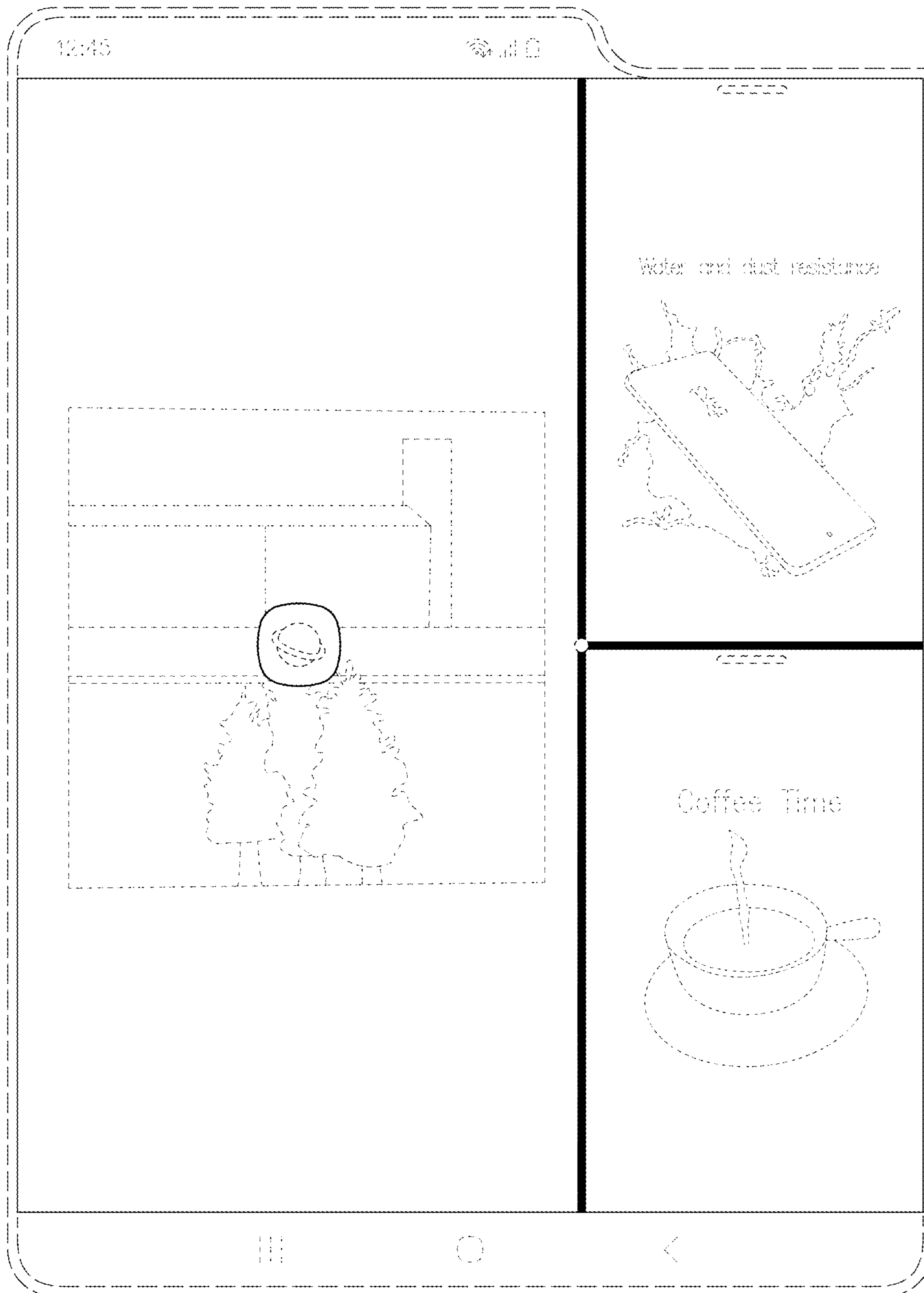


FIG. 4

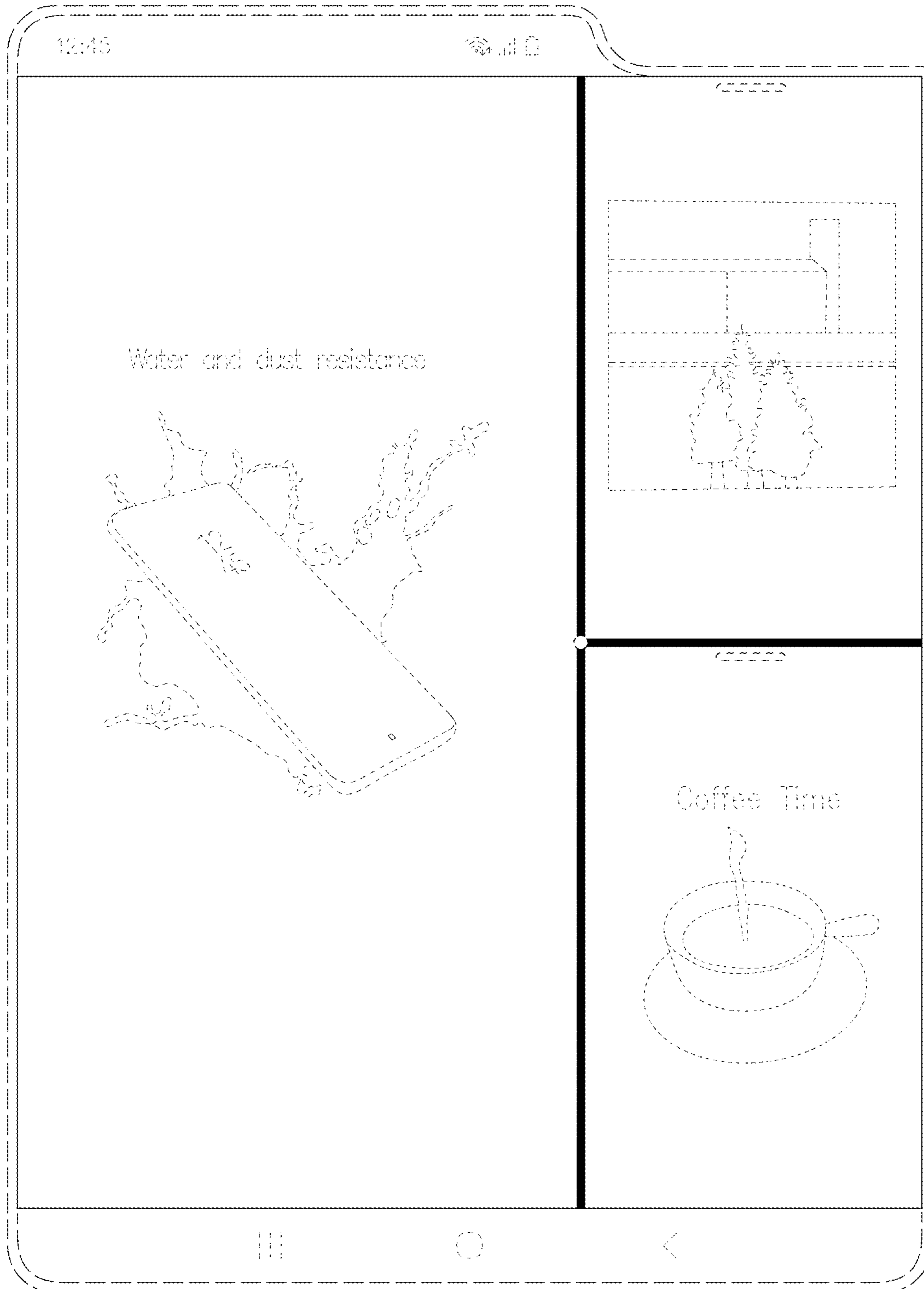


FIG. 5

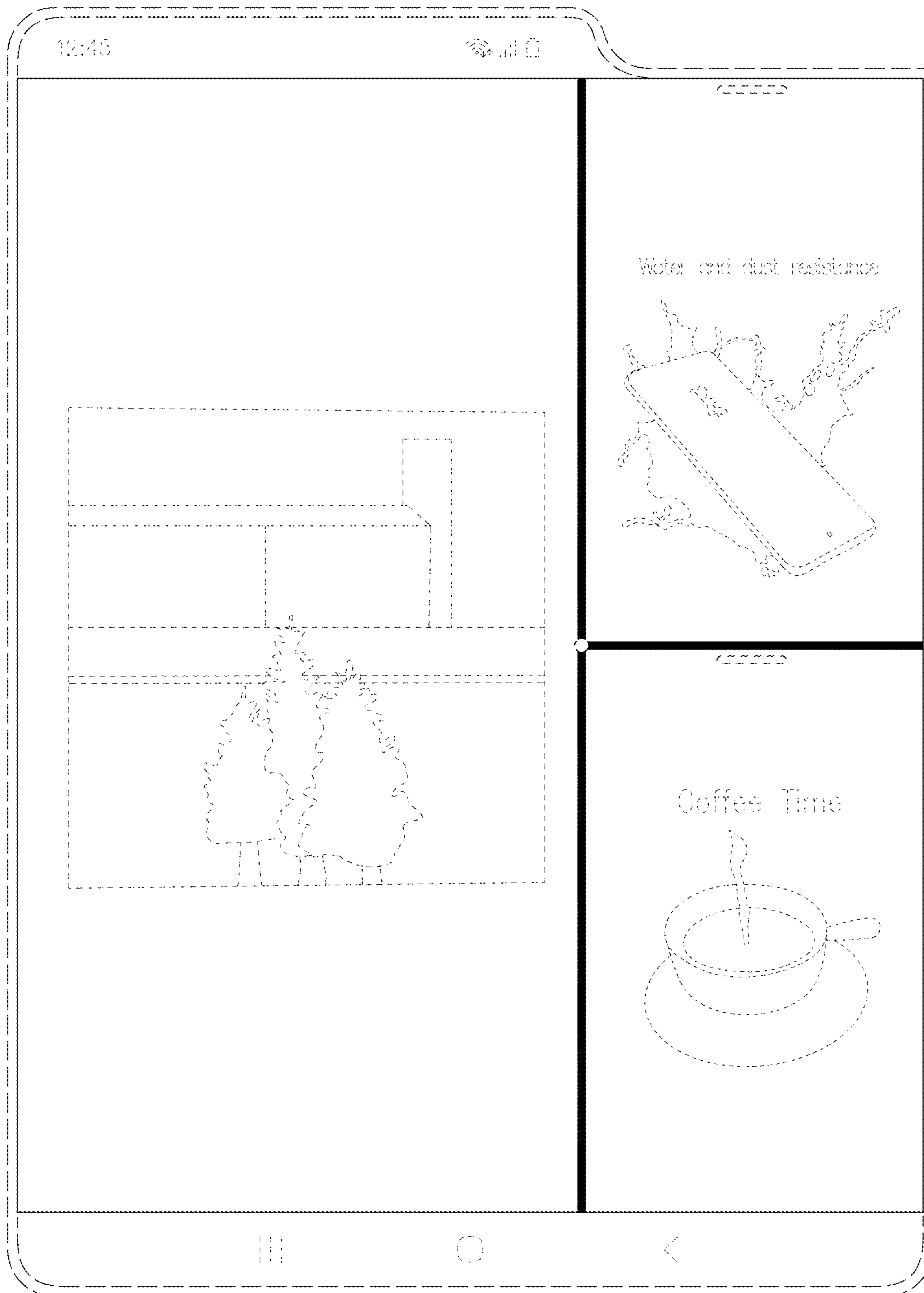


FIG. 6

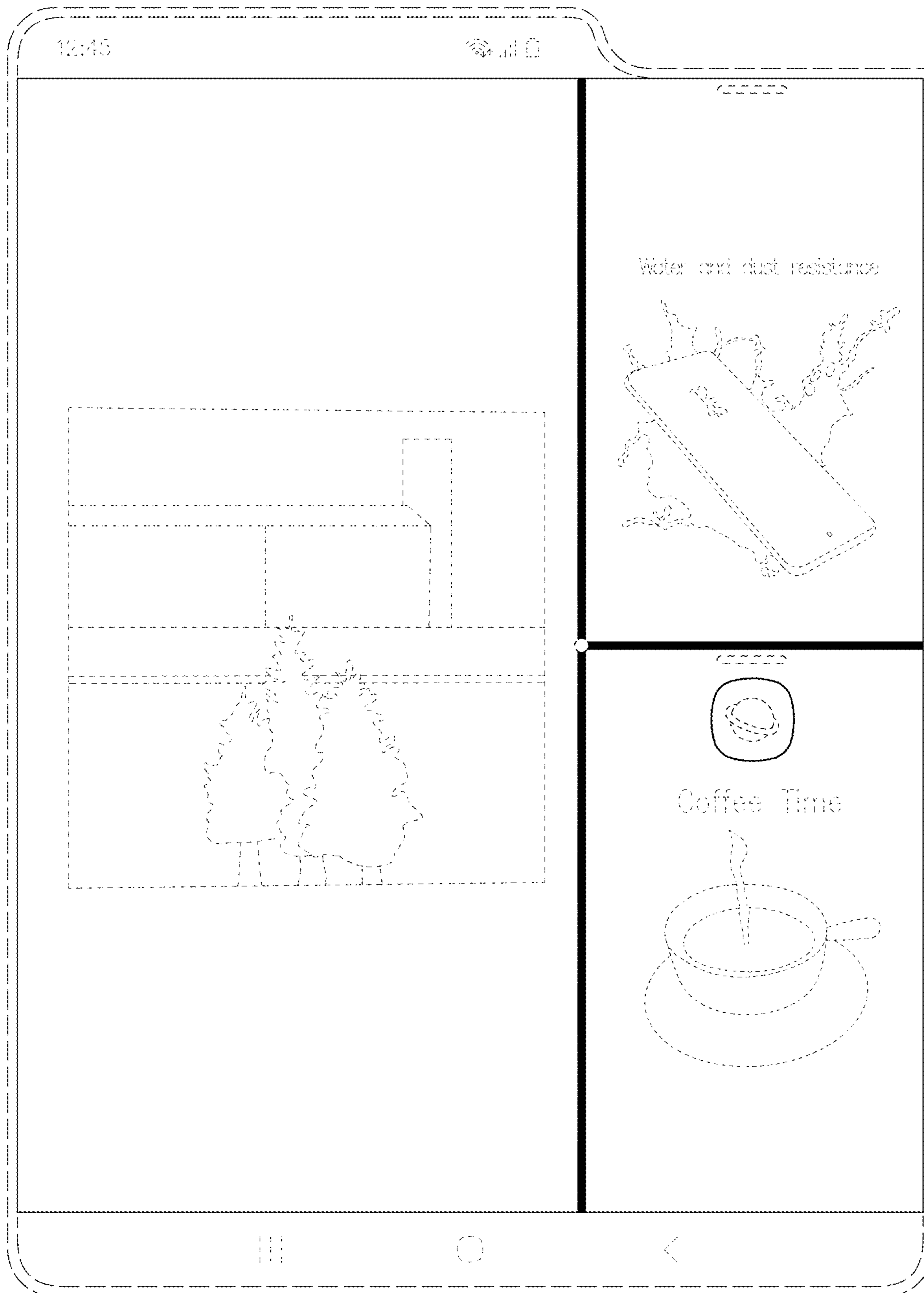


FIG. 7

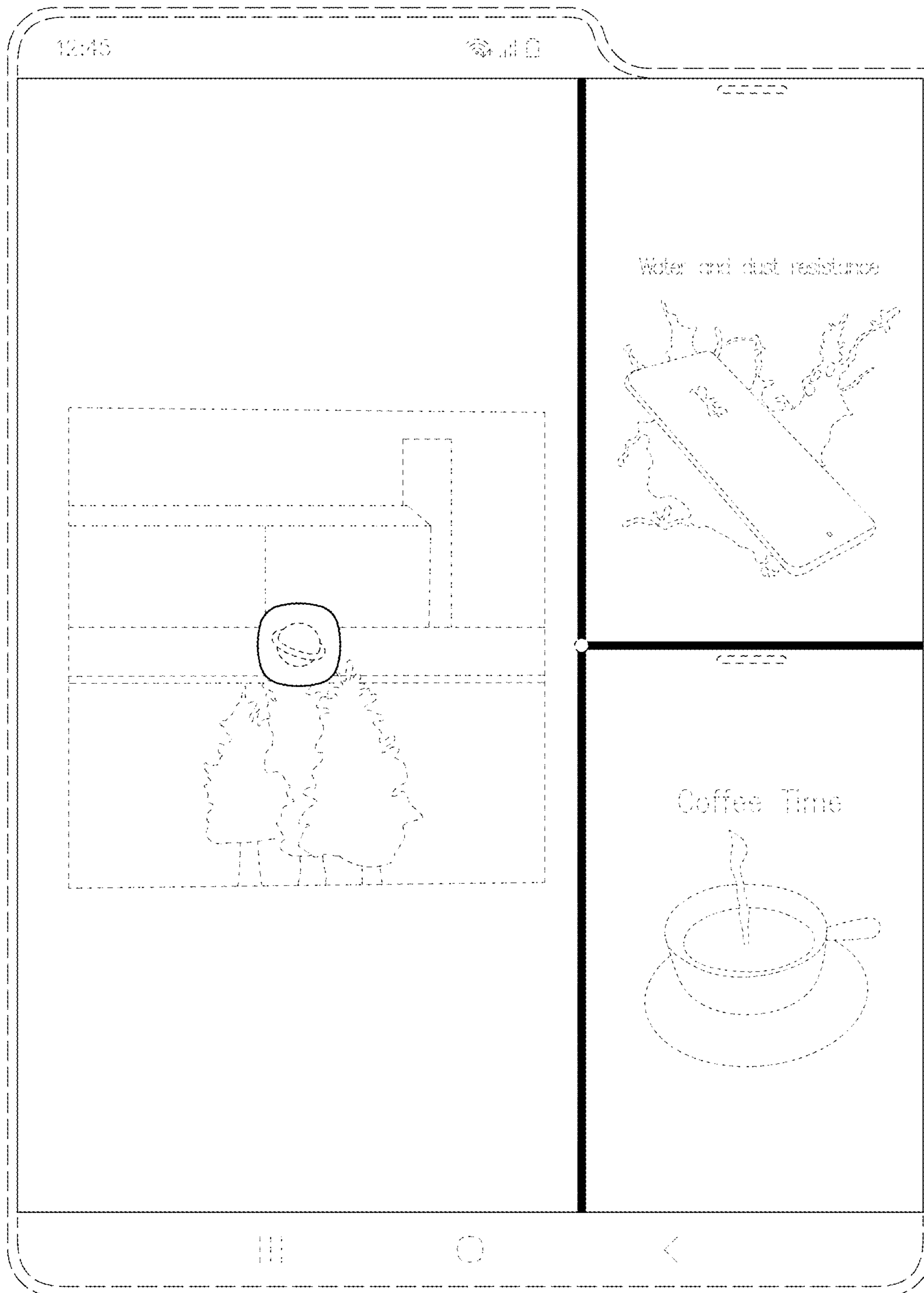




FIG. 8

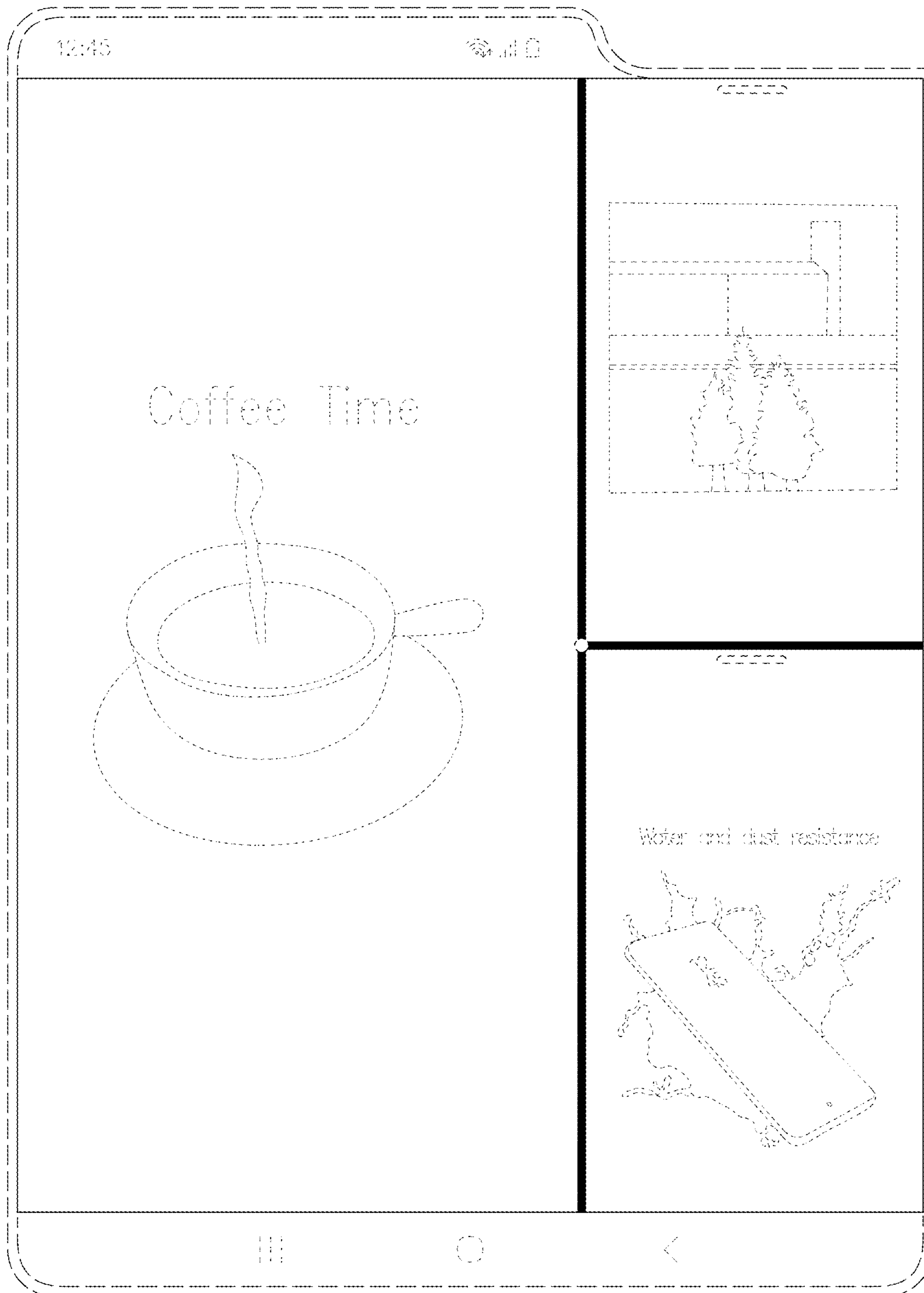


FIG. 9

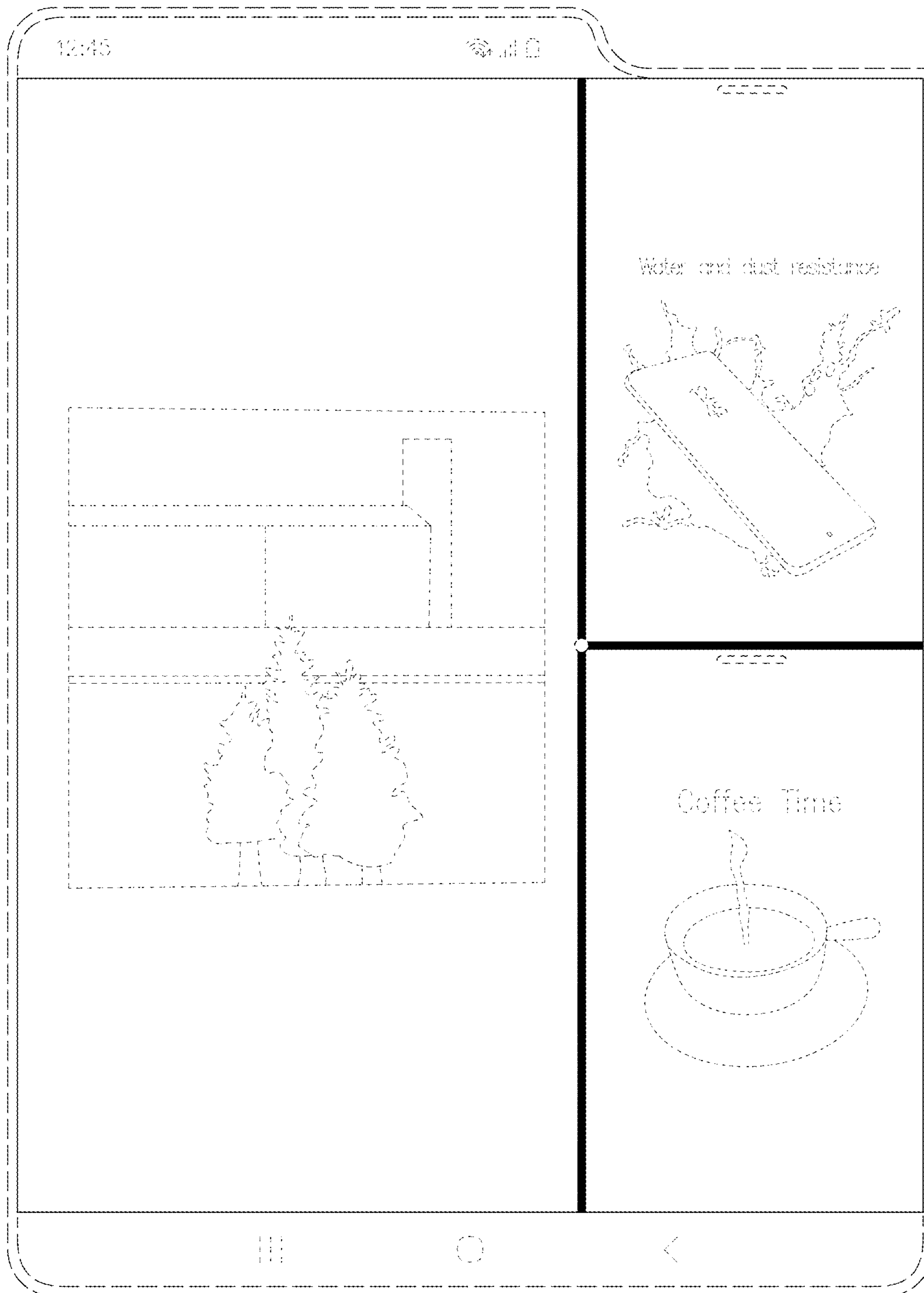


FIG. 10

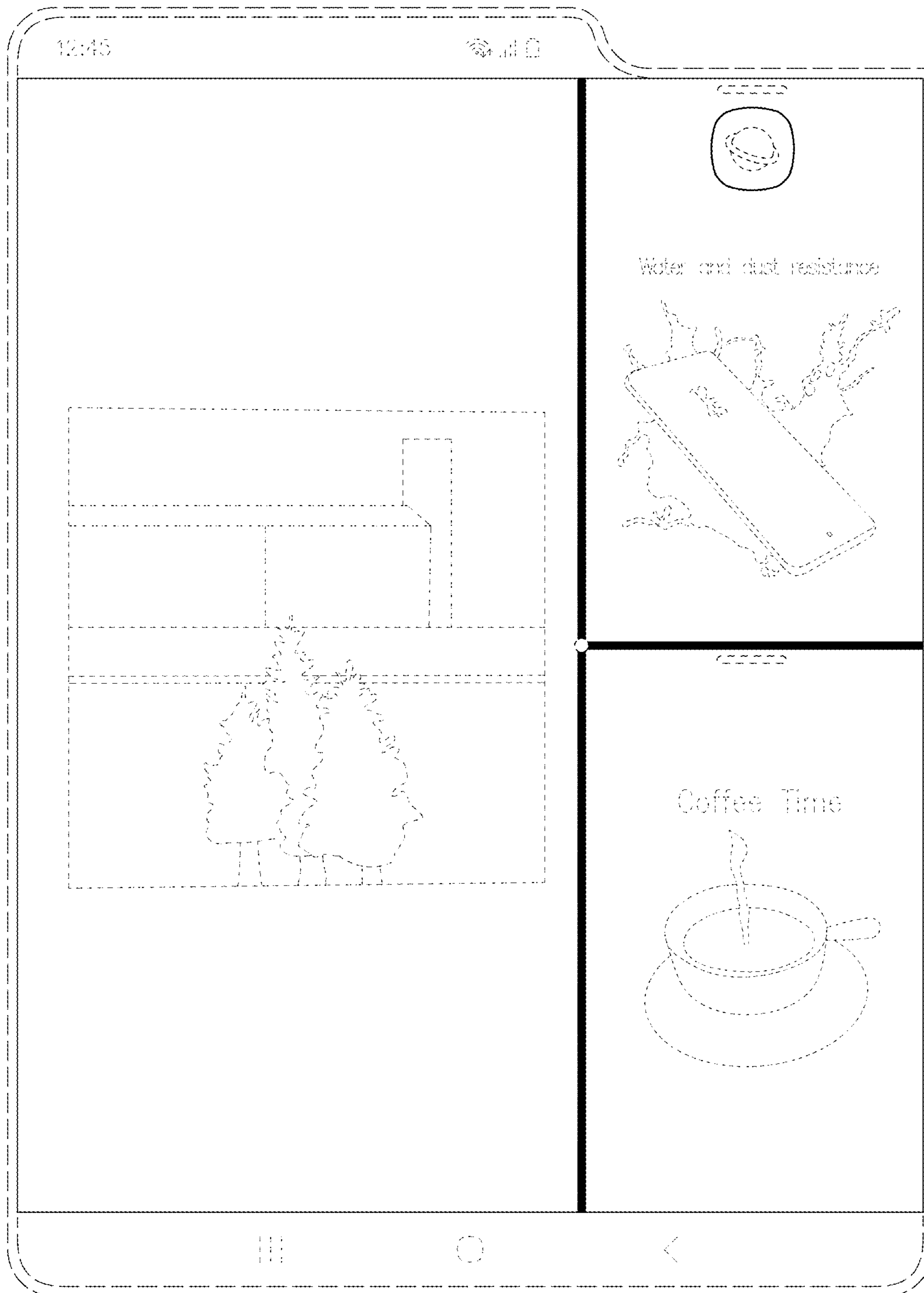


FIG. 11

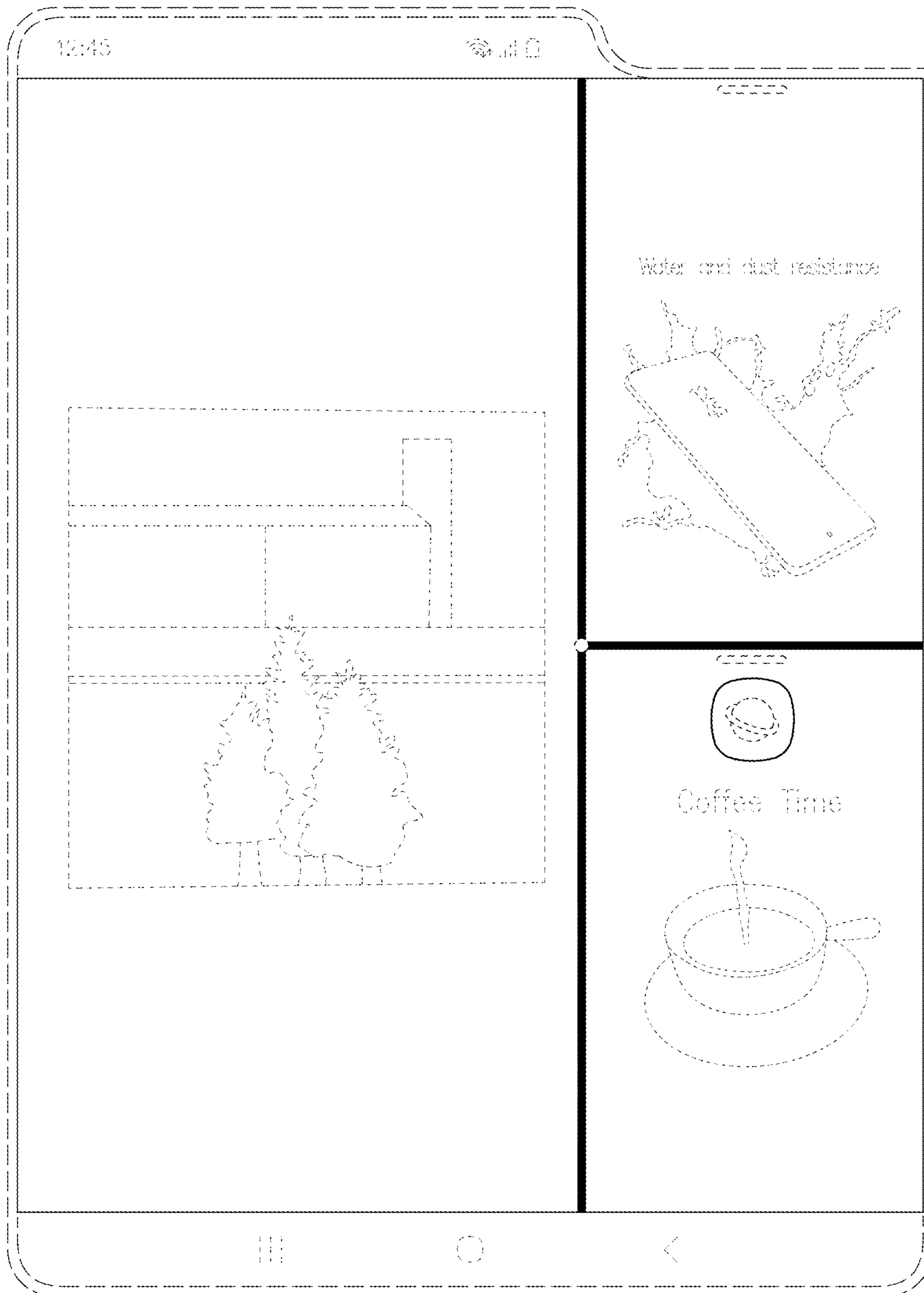


FIG. 12

