



US00D910028S

(12) **United States Design Patent**  
**Pelly et al.**

(10) **Patent No.:** **US D910,028 S**  
(45) **Date of Patent:** **\*\* Feb. 9, 2021**

(54) **DISPLAY SUPPORT**

FOREIGN PATENT DOCUMENTS

(71) Applicant: **Innovative Office Products, LLC**,  
Easton, PA (US)

CN 303508369 \* 12/2015

(72) Inventors: **Charles Whipple Pelly**, San Diego, CA  
(US); **Joan Gregor**, San Diego, CA  
(US); **Victor Manuel Nacif**, San Diego,  
CA (US); **Peter J. Carrasquillo**,  
Kennett Square, PA (US)

OTHER PUBLICATIONS

Amazon. Link: [https://www.amazon.com/dp/B081396DMX/ref=cm\\_sw\\_r\\_tw\\_dp\\_U\\_x\\_Tz0nEb99VZP3A](https://www.amazon.com/dp/B081396DMX/ref=cm_sw_r_tw_dp_U_x_Tz0nEb99VZP3A). Jan. 7, 2020. ErGear Monitor Mount for 15-32" Flat/Curved Monitors, Full Motion Gas Spring. (Year: 2020).\*

(Continued)

(73) Assignee: **Innovative Office Products, LLC**,  
Easton, PA (US)

*Primary Examiner* — Lauren D McVey

(\*\*) Term: **15 Years**

(74) *Attorney, Agent, or Firm* — Design IP

(21) Appl. No.: **29/650,724**

(57) **CLAIM**

(22) Filed: **Jun. 8, 2018**

The ornamental design for a display support, as shown and described.

(51) **LOC (13) Cl.** ..... **14-02**

(52) **U.S. Cl.**  
USPC ..... **D14/452**

(58) **Field of Classification Search**  
USPC ..... D14/447-452, 336, 337, 341, 371, 373,  
D14/374, 375, 376, 377, 126, 127, 128,  
D14/129, 239

CPC .... F16M 11/105; F16M 11/10; F16M 11/048;  
F16M 11/12; F16M 13/022

See application file for complete search history.

**DESCRIPTION**

FIG. 1 is a front perspective view of a display support showing our new design;  
FIG. 2 is an alternate front perspective view thereof;  
FIG. 3 is a rear perspective view thereof;  
FIG. 4 is an alternate rear perspective view thereof;  
FIG. 5 is a front elevation view thereof;  
FIG. 6 is a rear elevation view thereof;  
FIG. 7 is a left side elevation view thereof;  
FIG. 8 is a right side elevation view thereof; and,  
FIG. 9 is a top plan view thereof.

The broken lines immediately adjacent to the shaded areas in FIGS. 1-9 depict the bounds of the claimed design, while all other broken lines are directed to environment. The broken lines form no part of the claimed design. In addition, the unshaded surfaces that directly adjoin the claimed solid line edges form no part of the claimed design. The bottom view is omitted and forms no part of the claimed design.

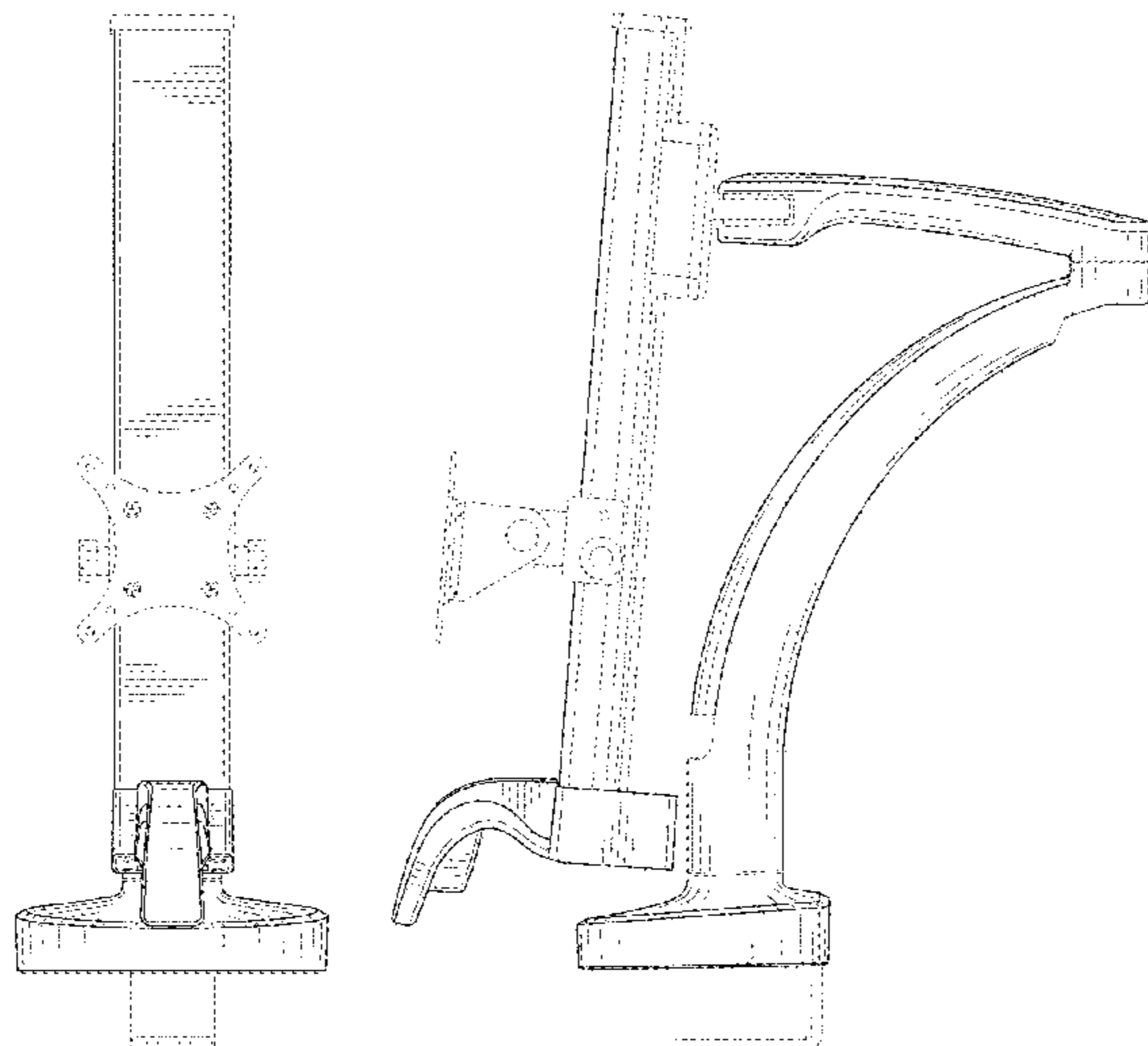
(56) **References Cited**

U.S. PATENT DOCUMENTS

D489,370 S *	5/2004	Jobs	.....	D14/337
D494,971 S *	8/2004	Jobs	.....	D14/371
D509,826 S *	9/2005	Jobs	.....	D14/371
D631,052 S *	1/2011	Hung	.....	D14/452
D685,806 S *	7/2013	Kim	.....	D14/451
D704,156 S *	5/2014	Lee	.....	D14/126
D731,497 S *	6/2015	Xiang	.....	D14/447
D762,213 S *	7/2016	Won	.....	D14/374
D790,542 S *	6/2017	Jung	.....	D14/374
D816,671 S *	5/2018	Jung	.....	D14/374
D848,444 S *	5/2019	Jung	.....	D14/452

(Continued)

**1 Claim, 8 Drawing Sheets**



(56)

**References Cited**

U.S. PATENT DOCUMENTS

2011/0108698 A1\* 5/2011 Chen ..... E05B 73/0082  
248/553  
2017/0154607 A1\* 6/2017 Jung ..... G06F 3/147

OTHER PUBLICATIONS

Amazon. Link: [https://www.amazon.com/dp/B07T5SY43L/ref=cm\\_sw\\_r\\_tw\\_dp\\_U\\_x\\_ds0nEb17QWR0E](https://www.amazon.com/dp/B07T5SY43L/ref=cm_sw_r_tw_dp_U_x_ds0nEb17QWR0E). Sep. 8, 2019. Huanuo Dual Monitor Stand. (Year: 2019).\*

Innovative Office Products, Ella—Ahead of the Curve webpage. [<https://innovativeworkspaces.com/products/ella-monitor-arm/>]{Retrieved from the Internet: Aug. 7, 2018}.

\* cited by examiner

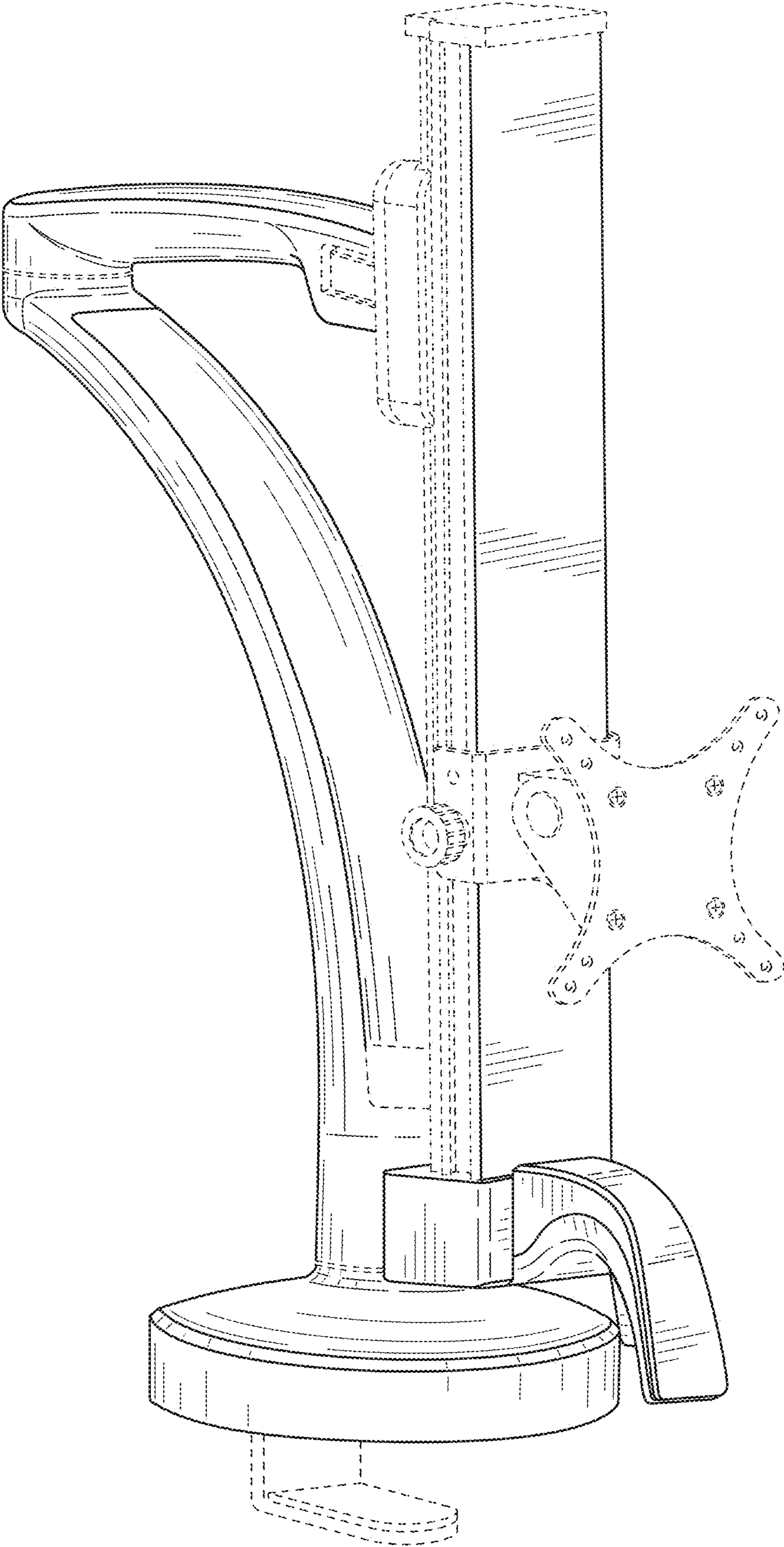


FIG. 1

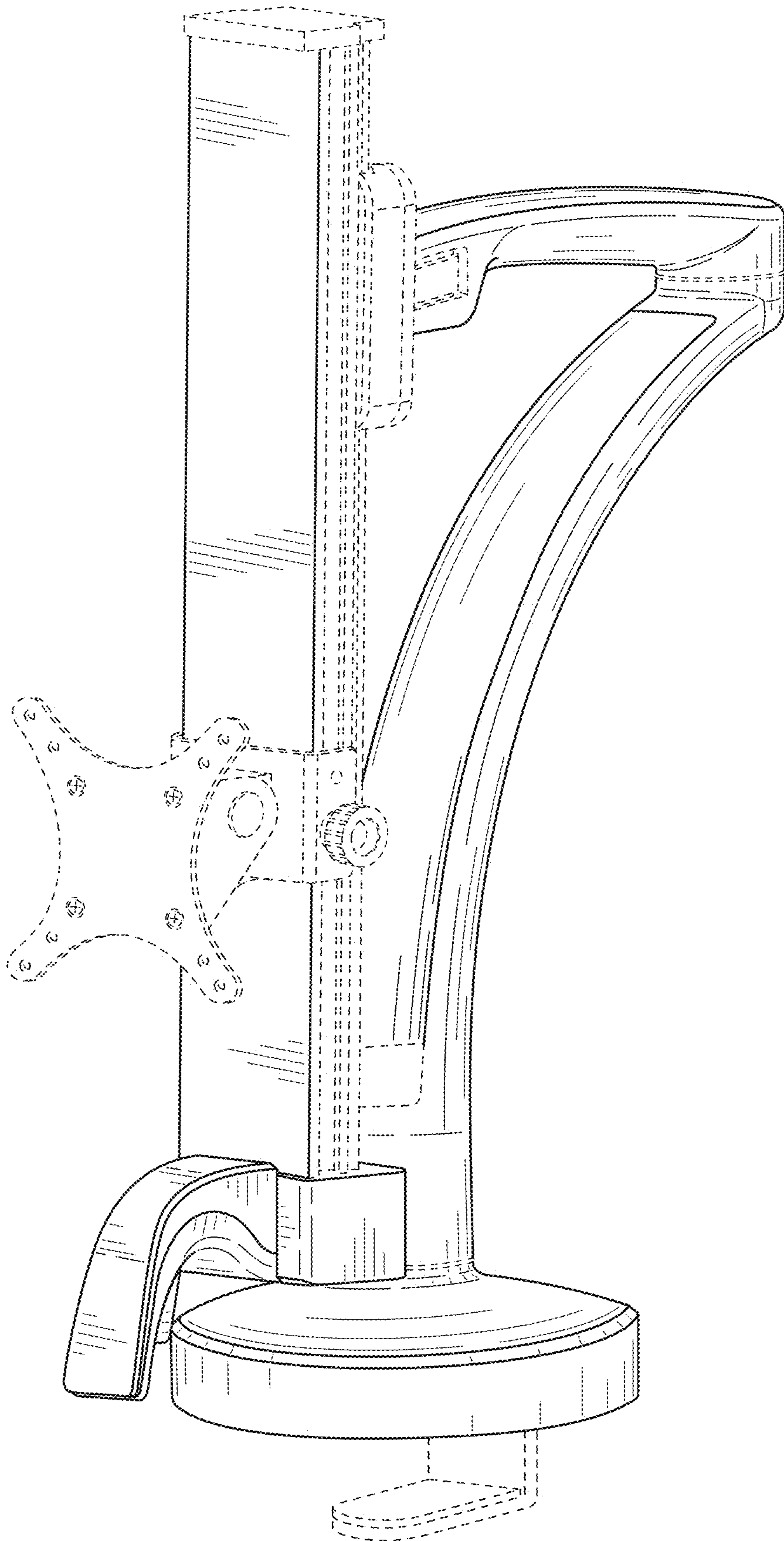


FIG. 2

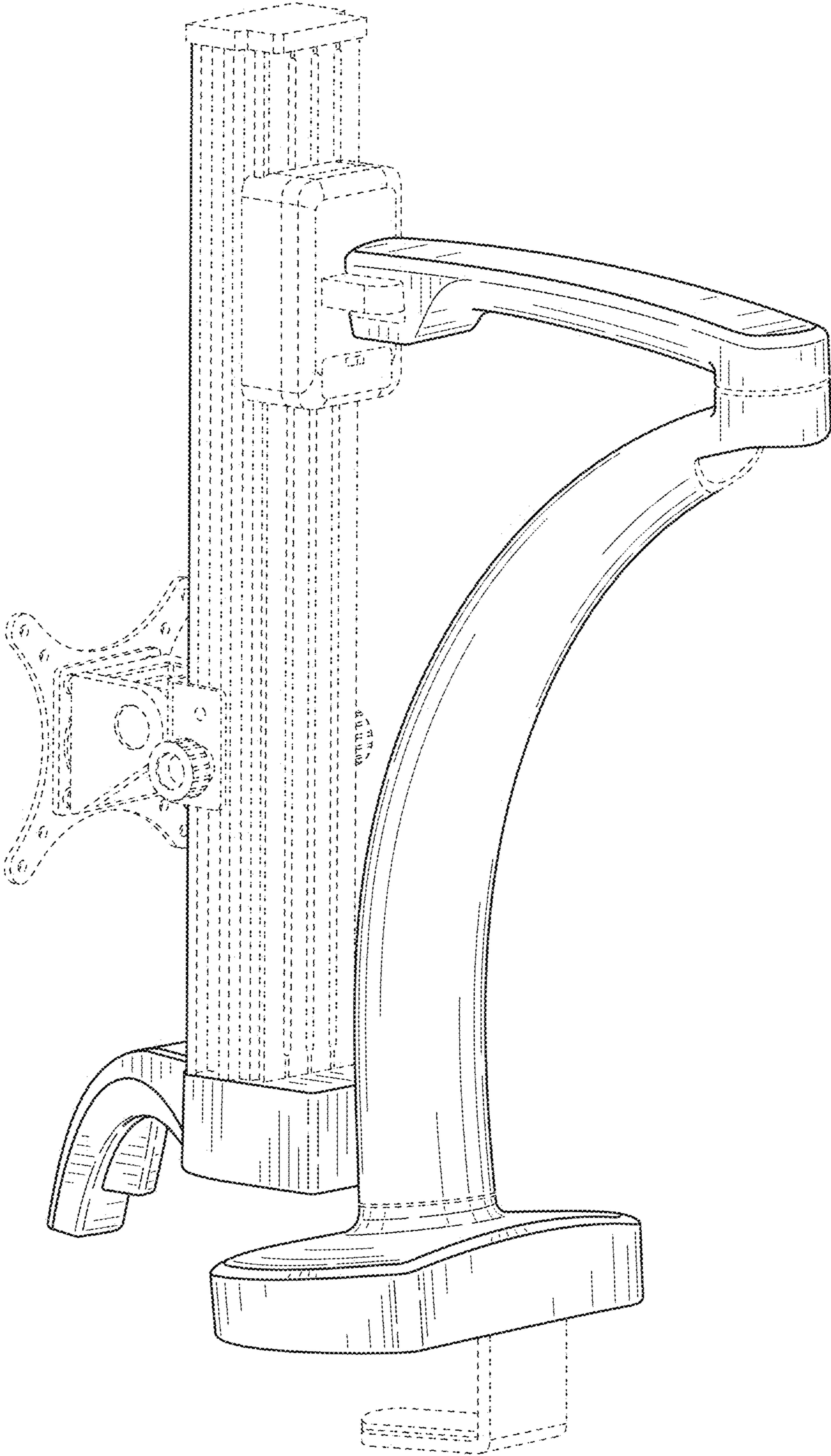


FIG. 3

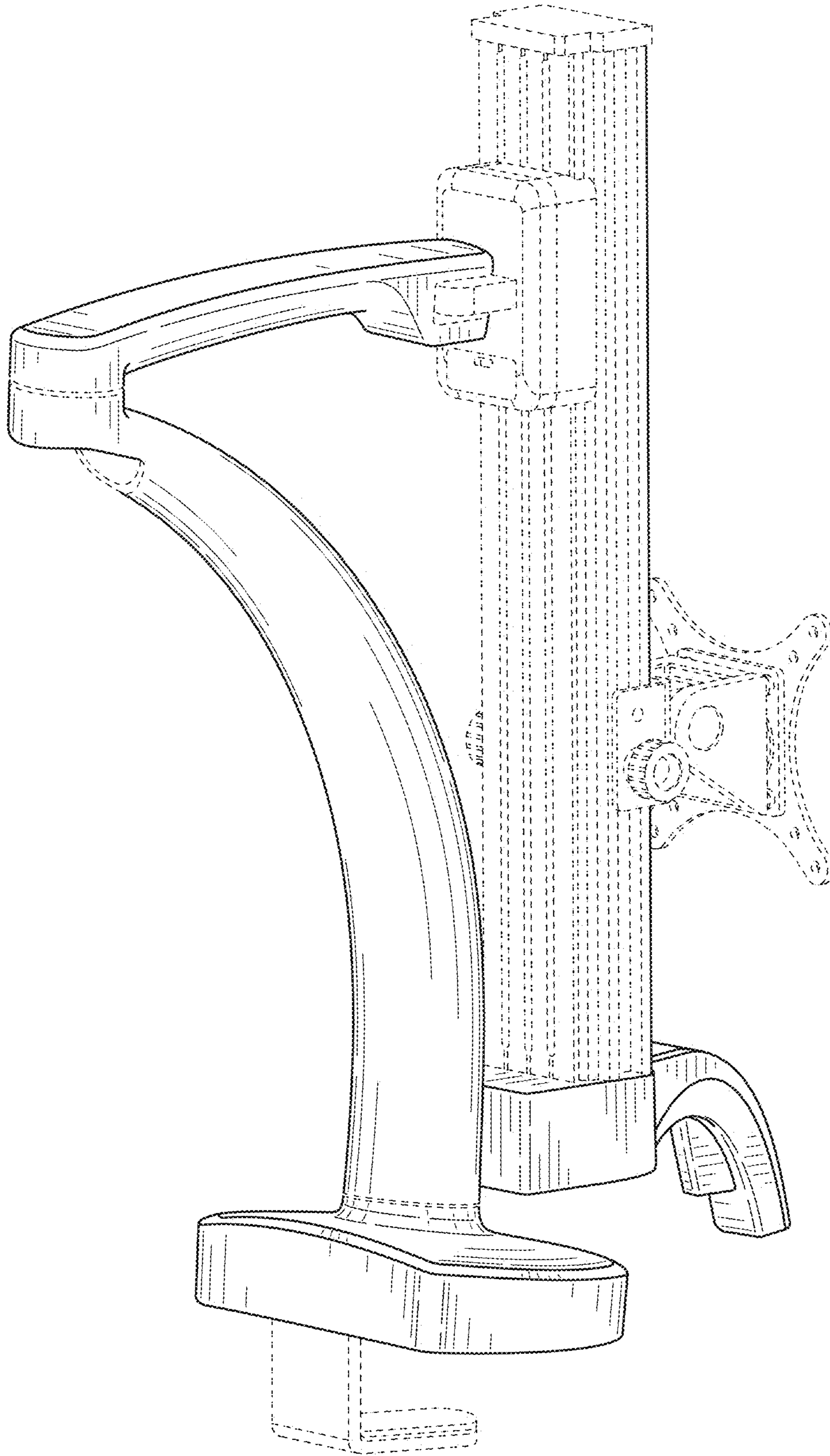


FIG. 4

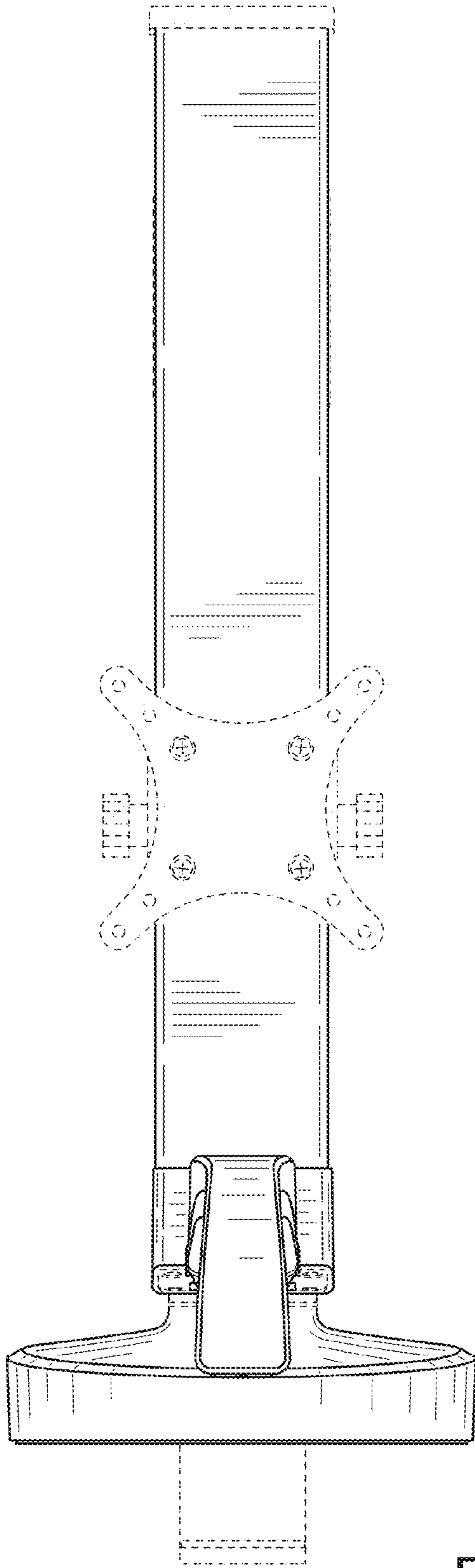


FIG. 5

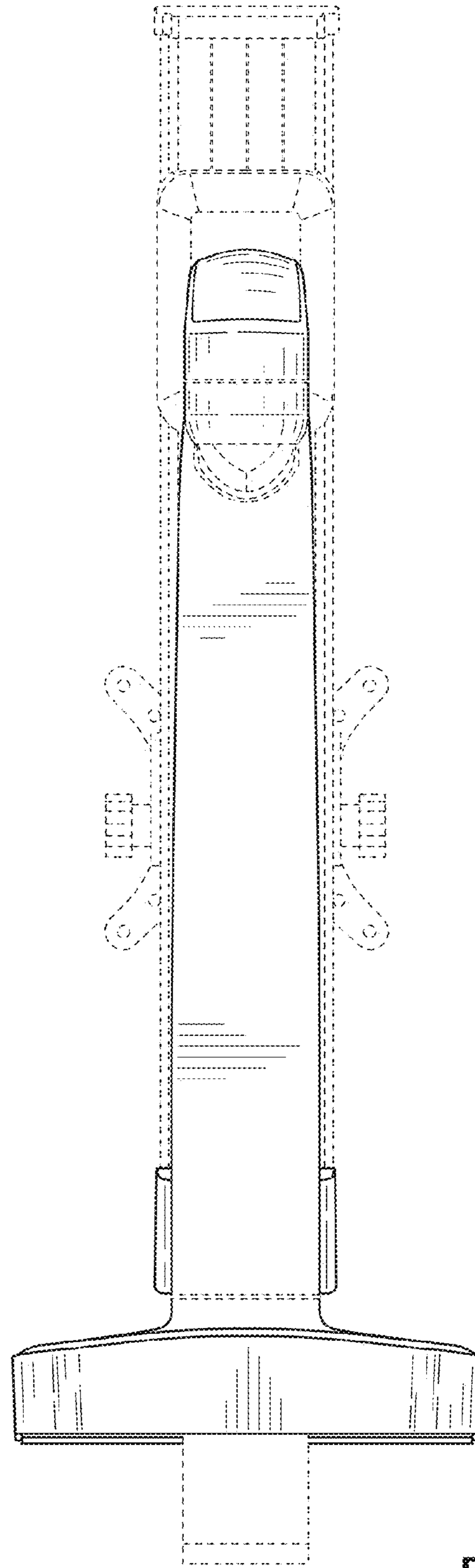


FIG. 6

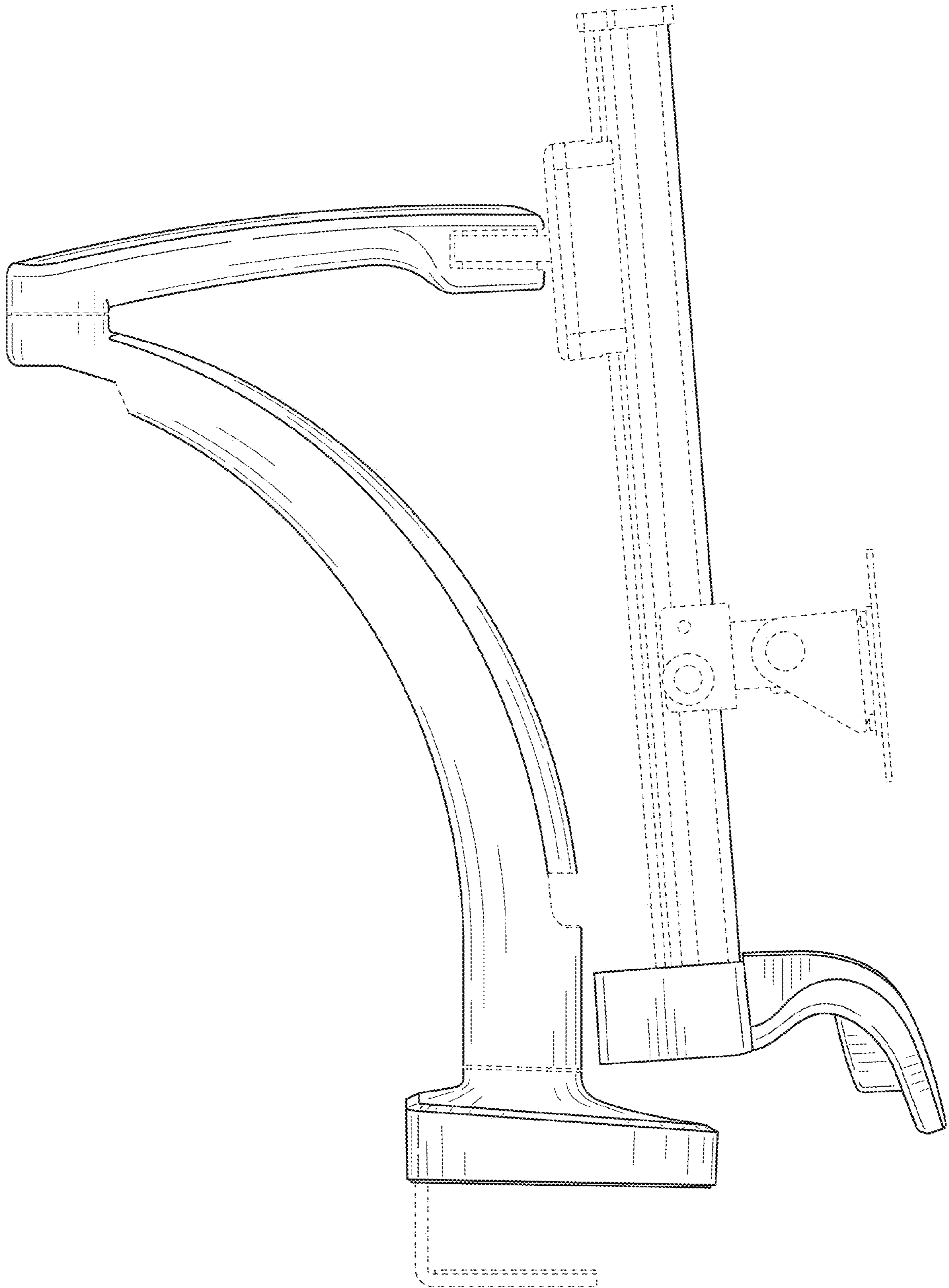


FIG. 7



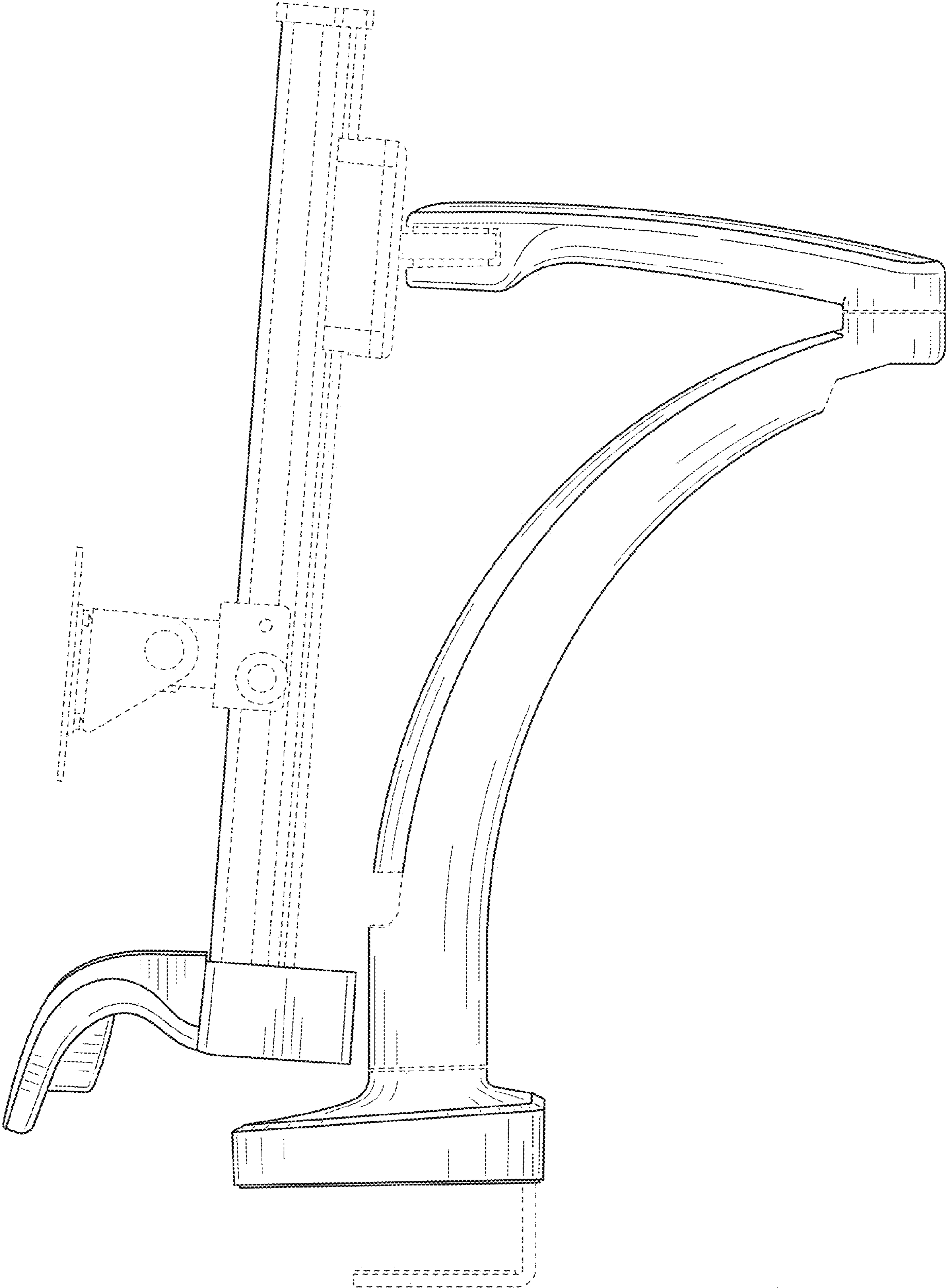


FIG. 8

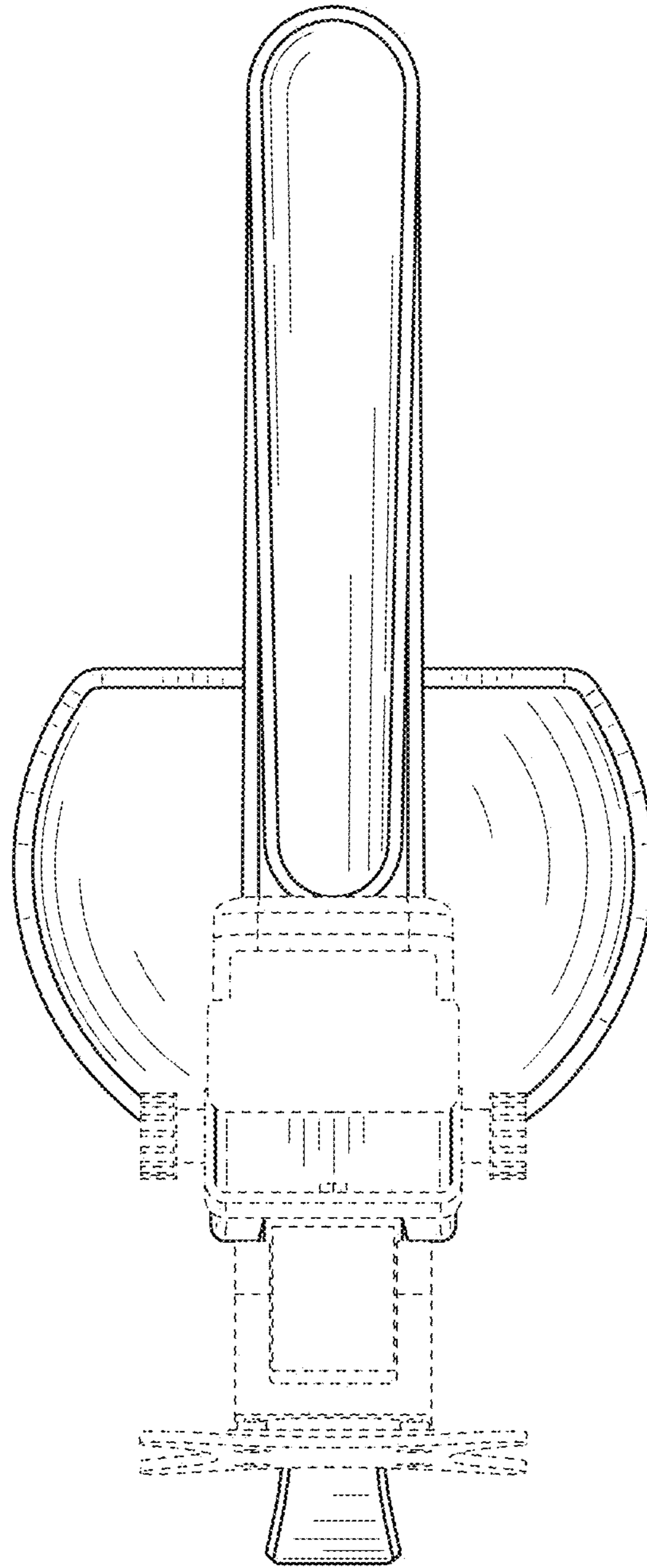


FIG. 9