



US00D910024S

(12) **United States Design Patent**
Giazzon

(10) **Patent No.:** **US D910,024 S**

(45) **Date of Patent:** **** Feb. 9, 2021**

(54) **PROTECTIVE COVER FOR A LAPTOP
COMPUTER**

(71) Applicant: **MAX Interactive, Inc.**, Costa Mesa,
CA (US)

(72) Inventor: **Albert George Giazzon**, San Clemente,
CA (US)

(73) Assignee: **MAX Interactive, Inc.**, Costa Mesa,
CA (US)

(**) Term: **15 Years**

(21) Appl. No.: **29/708,621**

(22) Filed: **Oct. 8, 2019**

(51) **LOC (13) Cl.** **14-02**

(52) **U.S. Cl.**
USPC **D14/440**

(58) **Field of Classification Search**
USPC D14/440, 447, 250; 206/45.23, 320,
206/45.2; 361/679.55; 294/25; 224/218
CPC ... G06F 1/1628; G06F 1/1626; A47B 23/044;
H04B 1/3888
See application file for complete search history.

(56) **References Cited**

U.S. PATENT DOCUMENTS

| | | | | |
|--------------|---------|-----------|-------|---------|
| D635,555 S * | 4/2011 | Giles | | D14/217 |
| D714,295 S * | 9/2014 | Fujioka | | D14/440 |
| D736,777 S * | 8/2015 | Rayner | | D14/440 |
| D754,651 S * | 4/2016 | Roberts | | D14/250 |
| D756,344 S * | 5/2016 | Roberts | | D14/250 |
| D761,263 S * | 7/2016 | Brinkman | | D14/440 |
| D766,906 S * | 9/2016 | Kim | | D14/440 |
| D774,036 S * | 12/2016 | Kuntz | | D14/440 |
| D784,349 S * | 4/2017 | Schwibner | | D14/440 |

| | | | | |
|-------------------|---------|----------|-------|---------------------------|
| D826,237 S * | 8/2018 | Cadadora | | B60R 11/0241 D14/440 |
| D834,026 S * | 11/2018 | Moore | | D14/440 |
| D850,454 S * | 6/2019 | Kim | | D14/440 |
| D888,719 S * | 6/2020 | Moore | | D14/440 |
| D890,764 S * | 7/2020 | Yang | | D14/440 |
| D892,802 S * | 8/2020 | Jones | | D14/440 |
| D897,350 S * | 9/2020 | Wang | | D14/440 |
| 2011/0297578 A1 * | 12/2011 | Stiehl | | A45F 5/00 206/701 |
| 2012/0043247 A1 * | 2/2012 | Westrup | | G06F 1/1633 206/472 |
| 2012/0182678 A1 * | 7/2012 | Wu | | A45F 5/10 361/679.01 |
| 2012/0257340 A1 * | 10/2012 | Kim | | H04B 1/3888 361/679.01 |
| 2013/0341222 A1 * | 12/2013 | Lin | | B65D 75/322 206/320 |

* cited by examiner

Primary Examiner — Cynthia R Underwood

(74) *Attorney, Agent, or Firm* — Eric Karich; Karich & Associates

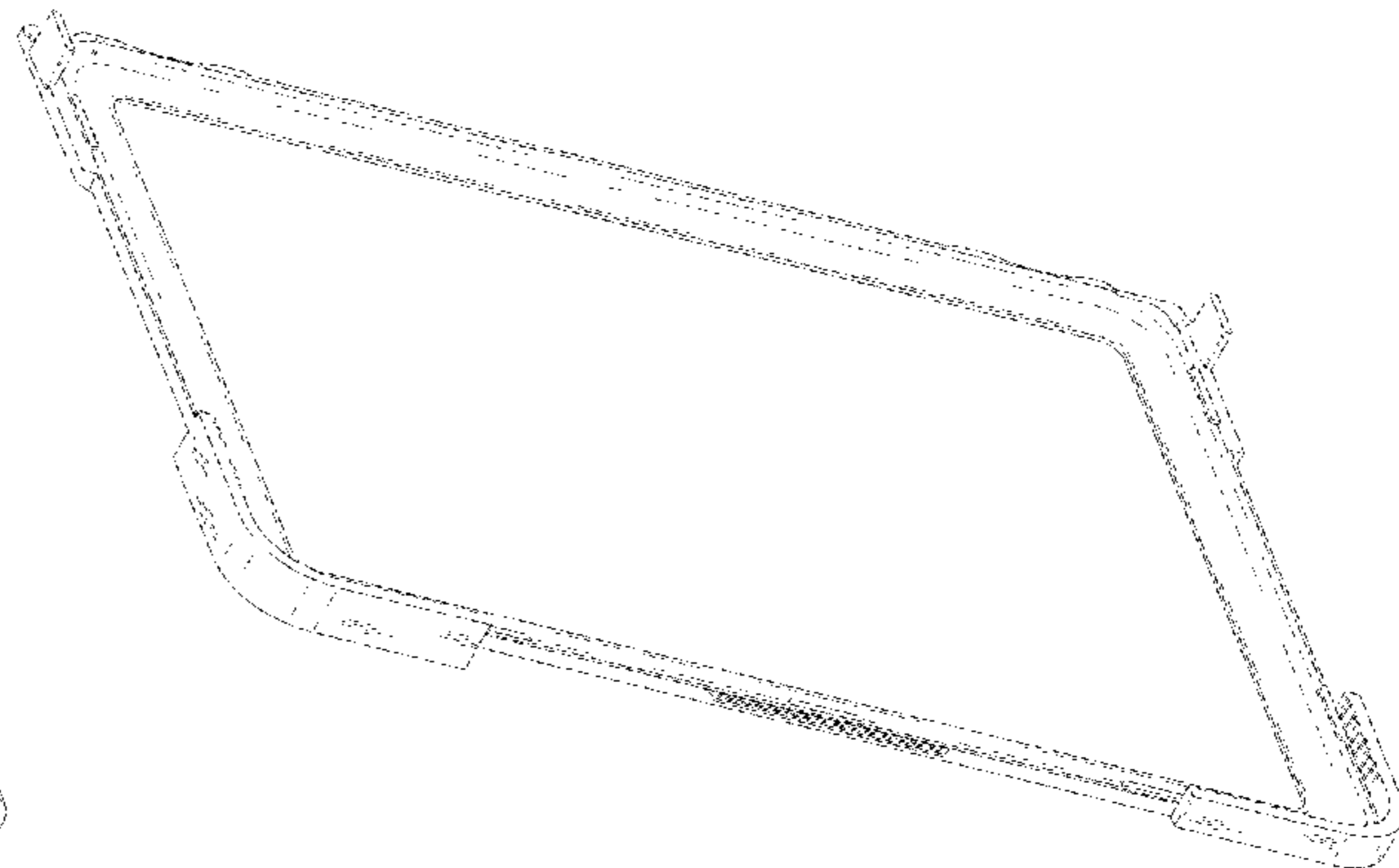
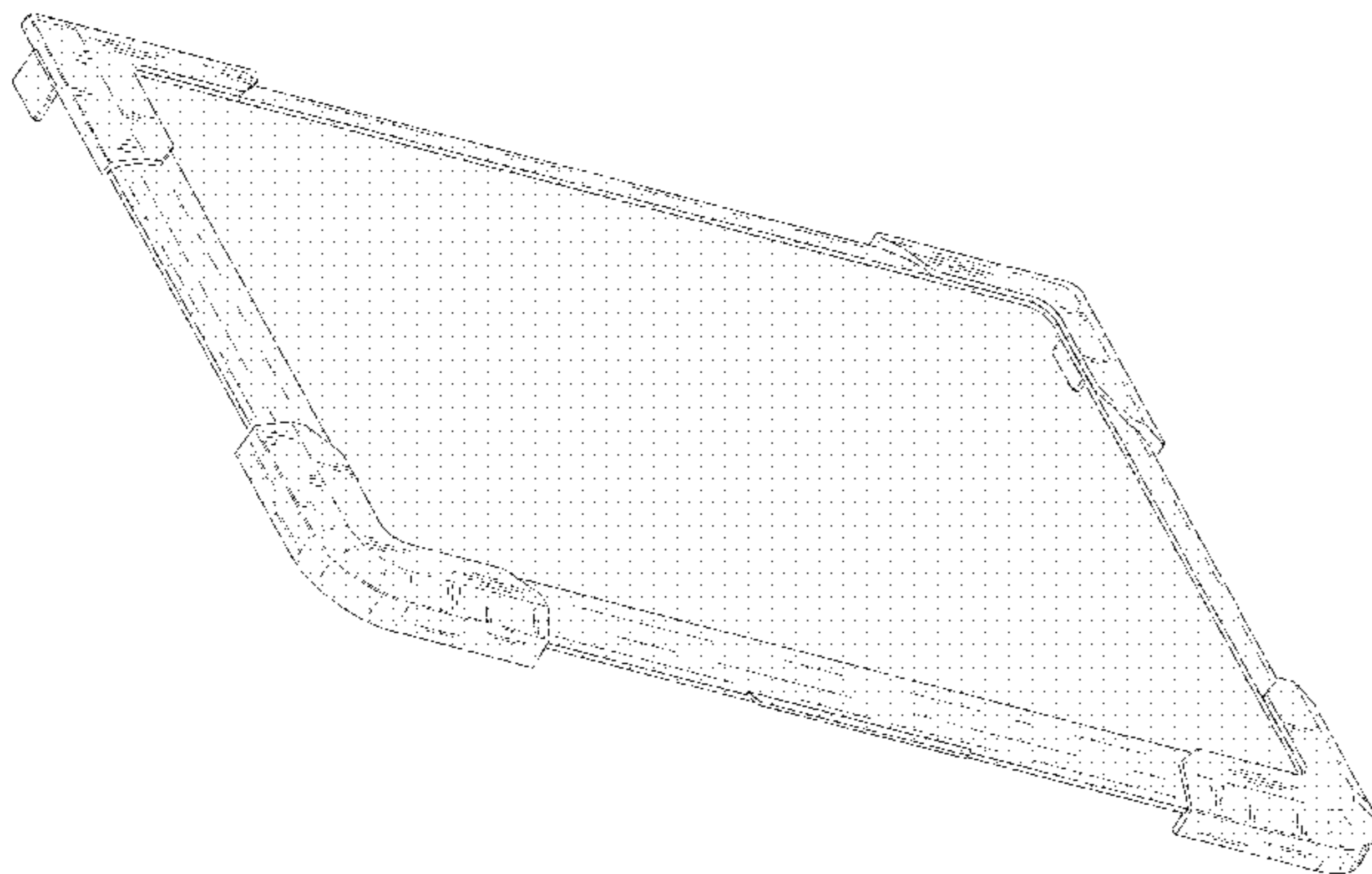
(57) **CLAIM**

The ornamental design for a protective cover for a laptop computer, as shown and described.

DESCRIPTION

FIG. 1 is a perspective view of a protective cover for a laptop computer, showing my new design;
FIG. 2 is a second perspective view thereof;
FIG. 3 is a front elevational view thereof;
FIG. 4 is a rear elevational view thereof;
FIG. 5 is a left side elevational view thereof
FIG. 6 is a right side elevational view thereof;
FIG. 7 is a top plan view thereof; and,
FIG. 8 is a bottom plan view thereof.

1 Claim, 5 Drawing Sheets



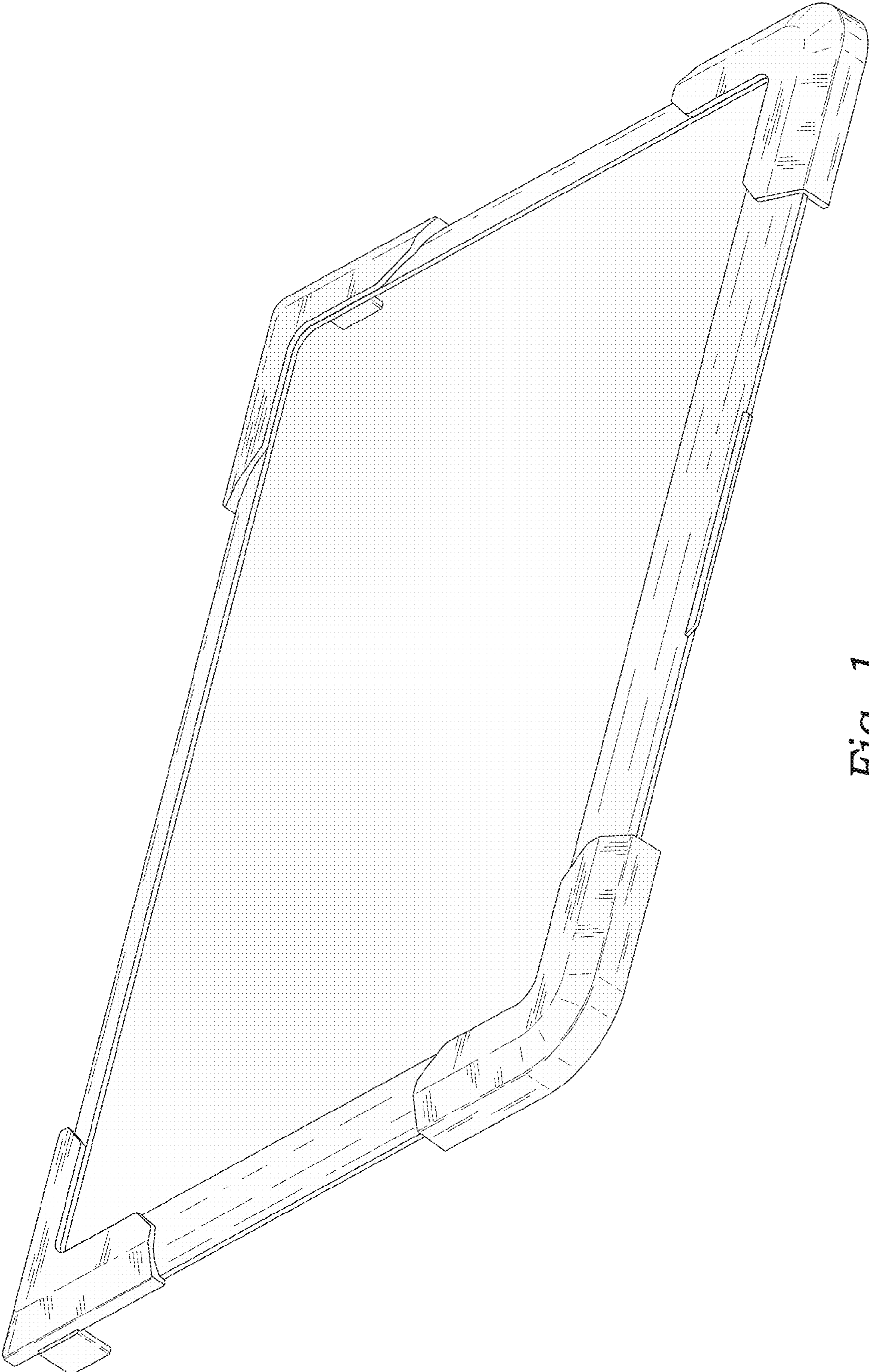


Fig. 1

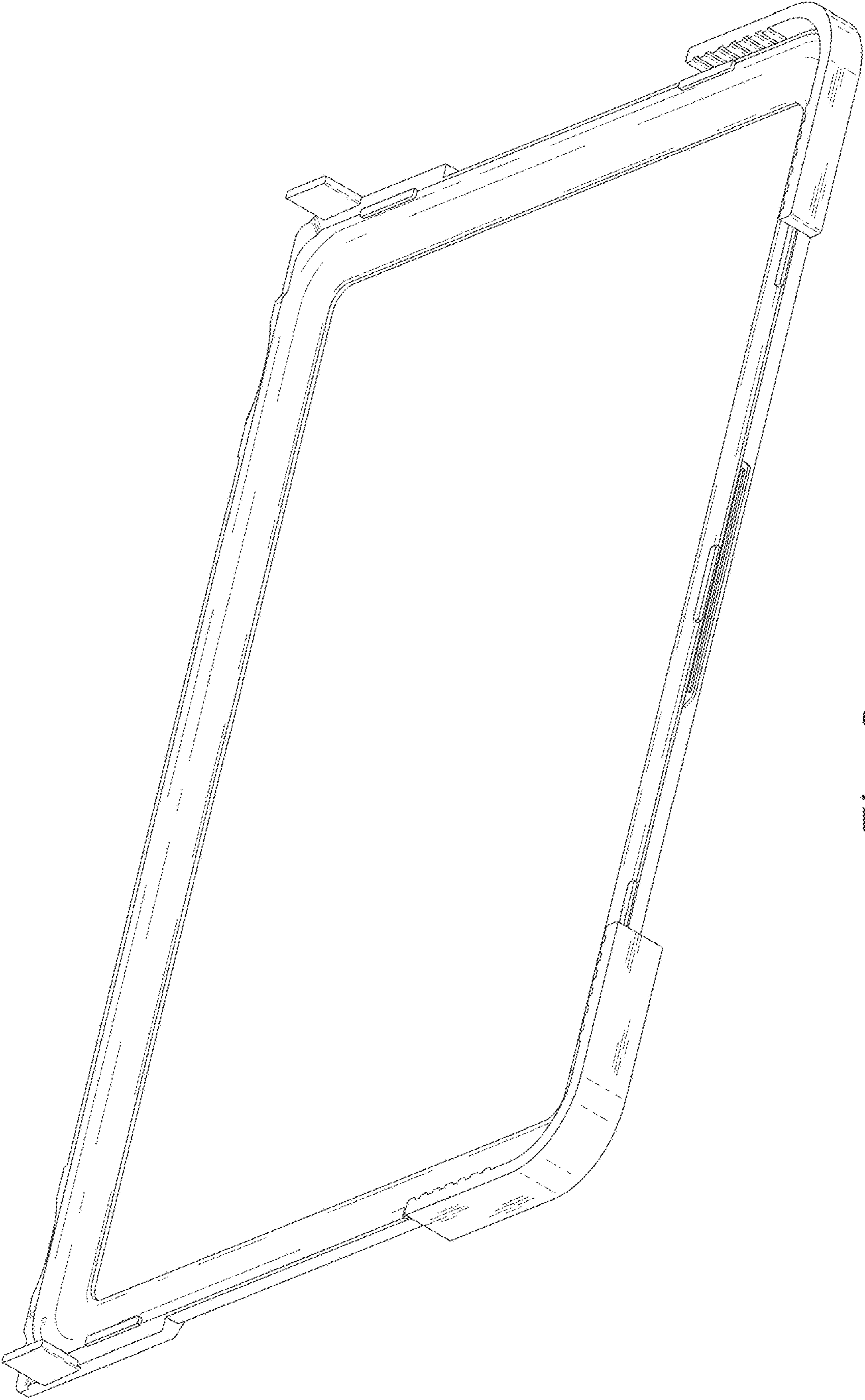


Fig. 2

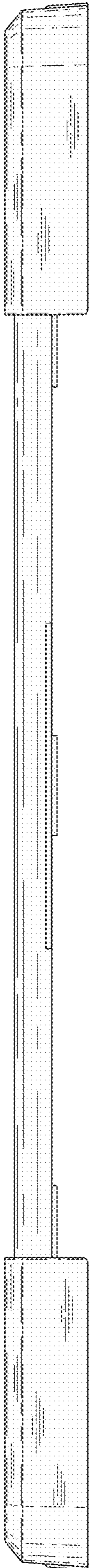


Fig. 3

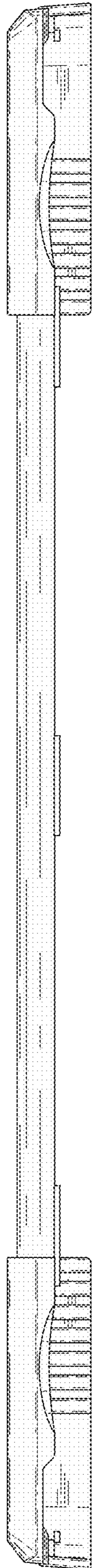


Fig. 4

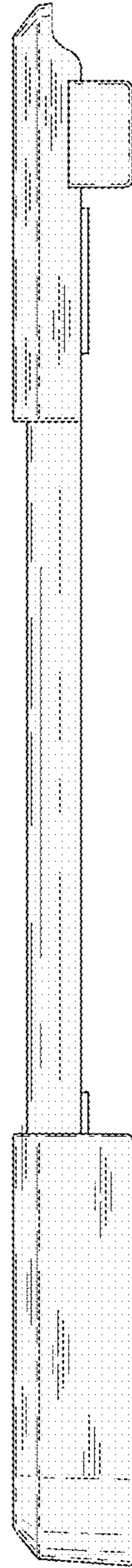


Fig. 5

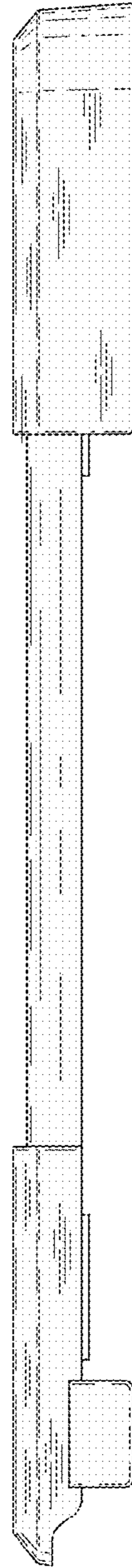


Fig. 6

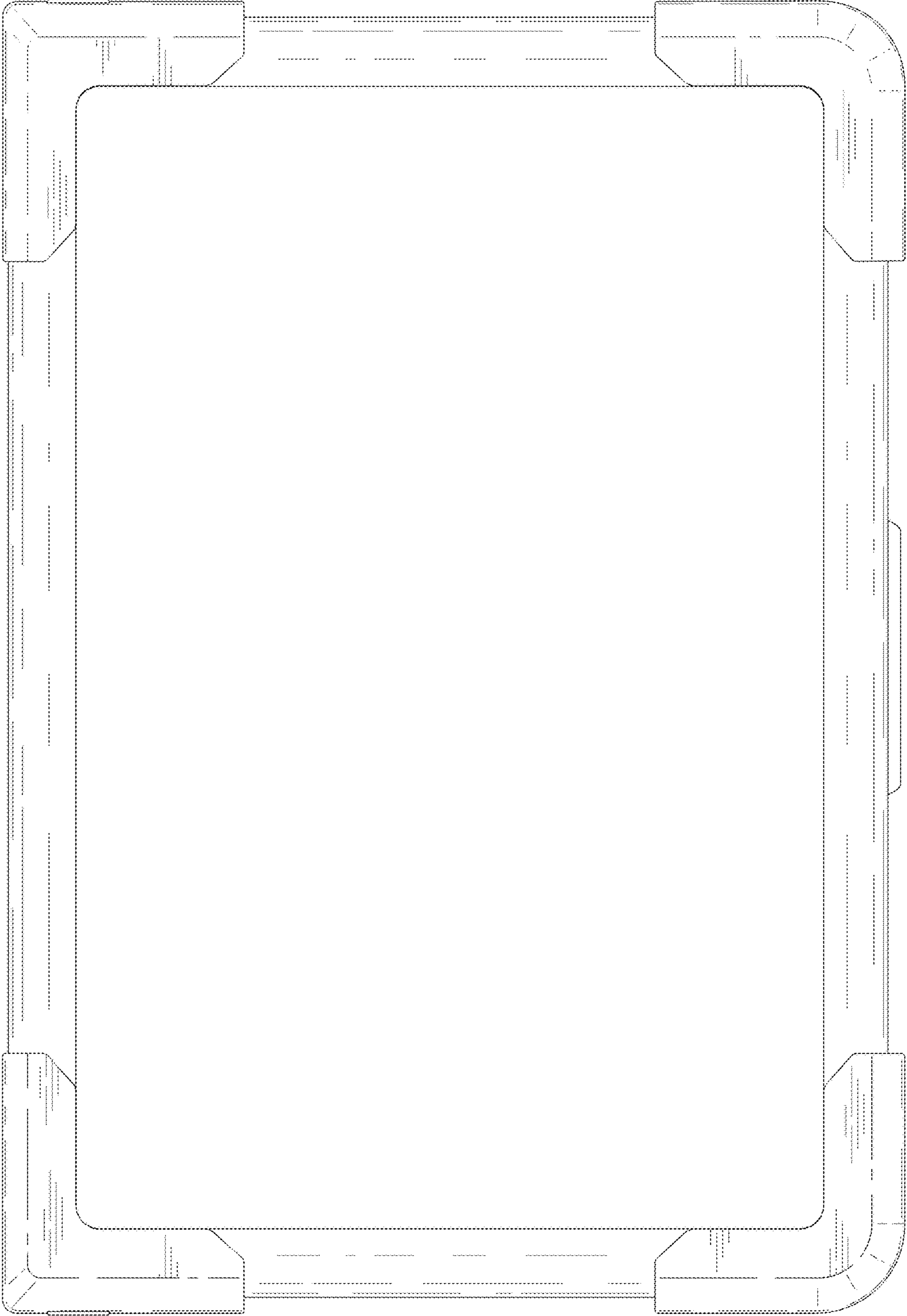


Fig. 7

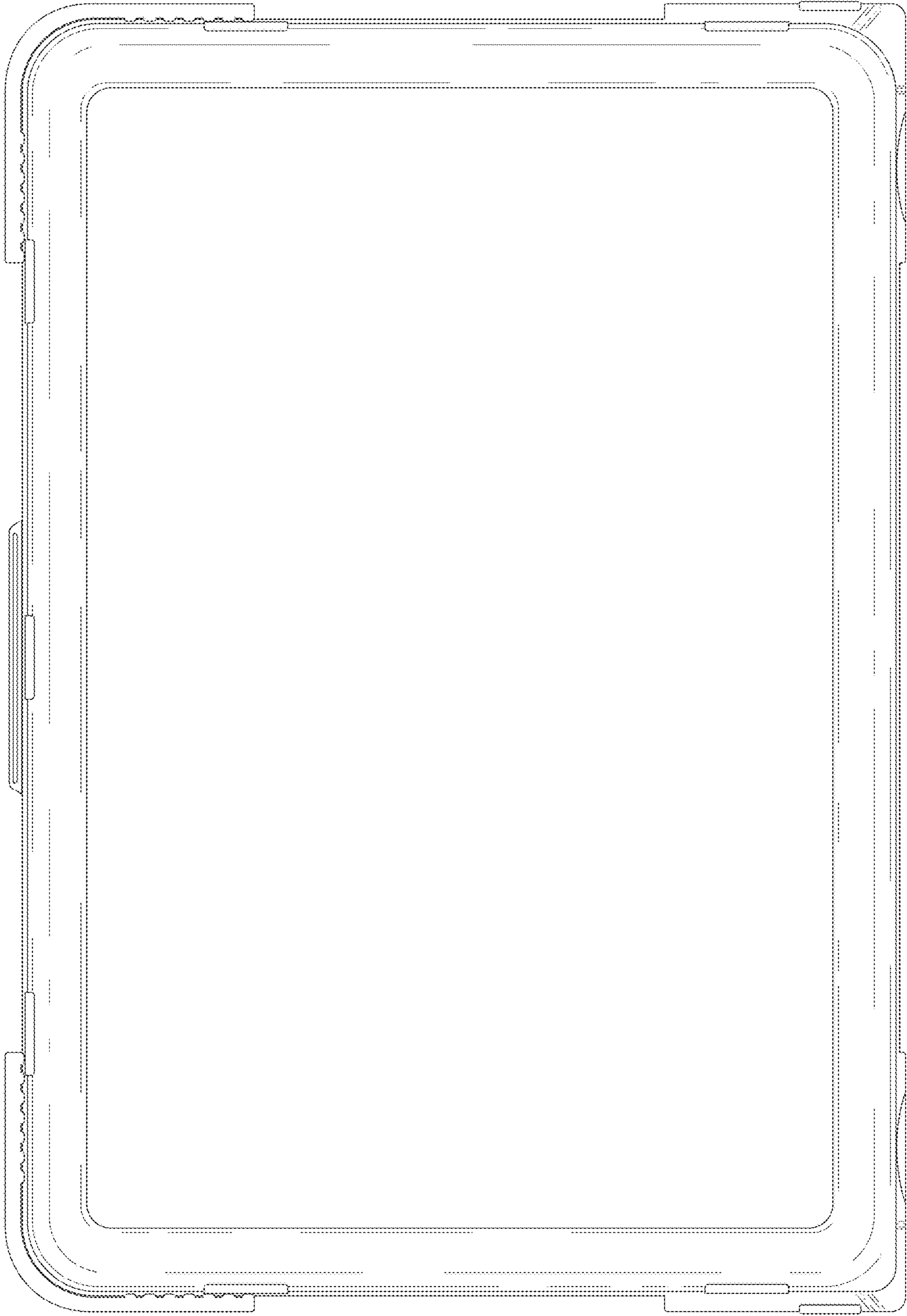


Fig. 8