



US00D910022S

(12) **United States Design Patent** (10) **Patent No.:** **US D910,022 S**  
**Nyholm et al.** (45) **Date of Patent:** **\*\* Feb. 9, 2021**

(54) **CASE FOR A TABLET SHAPED DEVICE WITH A HINGE**

D754,655 S \* 4/2016 Groene ..... D14/341  
9,307,062 B2 \* 4/2016 Kim ..... F16M 13/00  
9,360,896 B2 \* 6/2016 Lim ..... G06F 1/1681  
9,729,683 B2 \* 8/2017 Okuley ..... G06F 1/1647

(71) Applicant: **STM Management Pty Ltd,**  
Alexandria (AU)

(Continued)

(72) Inventors: **Ethan Nyholm,** North Bondi (AU);  
**Jacob Goodridge,** Kelvin Grove (AU)

*Primary Examiner* — Cynthia R Underwood  
(74) *Attorney, Agent, or Firm* — Christensen, Fonder,  
Dardi & Herbert PLLC

(73) Assignee: **STM Management Pty Ltd.,**  
Alexandria (AU)

(57) **CLAIM**

(\*\*) Term: **15 Years**

We claim the ornamental design for a case for a tablet shaped device with a hinge, as shown and described.

(21) Appl. No.: **29/700,662**

**DESCRIPTION**

(22) Filed: **Aug. 5, 2019**

(30) **Foreign Application Priority Data**

Feb. 6, 2019 (AU) ..... 201910643

(51) **LOC (13) Cl.** ..... **14-02**

(52) **U.S. Cl.**  
USPC ..... **D14/440; D8/323**

(58) **Field of Classification Search**  
USPC ..... D14/440, 447, 250; 206/45.23, 320,  
206/45.2; 361/679.55; 294/25; 224/218;  
455/575.8; D8/323  
CPC ... G06F 1/1628; G06F 1/1626; A47B 23/044;  
H04B 1/3888; A45C 11/00  
See application file for complete search history.

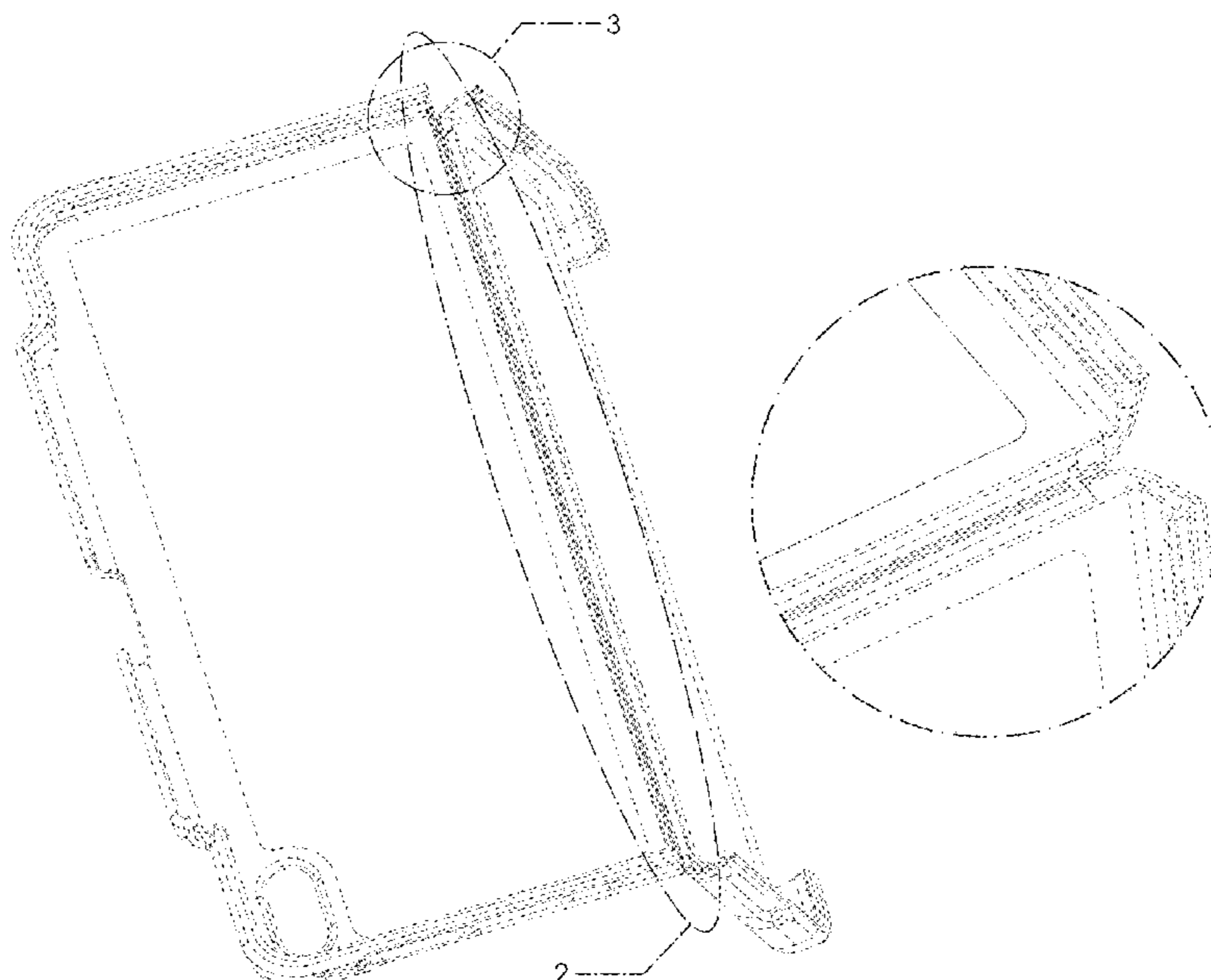
FIG. 1 is a front perspective view of my invention a case for a tablet shaped device with a hinge in an open position; FIG. 2 is an enlarged view thereof, taken from the marker labeled "2" on FIG. 1; FIG. 3 is a further enlarged view thereof, taken from the marker labeled "3" on FIG. 1; FIG. 4 is a back perspective view thereof, in a closed position; FIG. 5 is an enlarged view thereof of FIG. 4 taken from the marker labeled "5" on FIG. 4; FIG. 6 is a further enlarged view of FIG. 4 taken from the marker labeled "6" on FIG. 4; FIG. 7 is front elevation view thereof, in a dosed position; FIG. 8 is a back elevational view thereof, in a closed position; FIG. 9 is a top plan view thereof, in a closed position; FIG. 10 is a bottom plan view thereof, in a closed position; FIG. 11 is a side elevational view thereof, in a closed position; and, FIG. 12 is a side elevational view thereof, from the side opposite that of FIG. 11.  
The broken lines depict portions of the case for a tablet shaped device with a hinge that forms no part of the claim.

(56) **References Cited**

**U.S. PATENT DOCUMENTS**

8,060,985 B2 \* 11/2011 Lin ..... G06F 1/1616  
16/374  
D719,169 S \* 12/2014 McBroom ..... D14/440  
8,905,231 B2 \* 12/2014 Couch, III ..... A45C 13/02  
206/320

**1 Claim, 8 Drawing Sheets**



(56)

**References Cited**

U.S. PATENT DOCUMENTS

10,036,187 B2 \* 7/2018 Cheah ..... G06F 1/1616  
D855,056 S \* 7/2019 Raken ..... D14/439  
D872,077 S \* 1/2020 Raken ..... D14/341  
D892,803 S \* 8/2020 Armstrong ..... D14/440  
2008/0029412 A1 \* 2/2008 Ho ..... F16M 11/2014  
206/320  
2009/0194209 A1 \* 8/2009 De Filippis ..... A45C 11/00  
150/107  
2011/0261515 A1 \* 10/2011 Li ..... G06F 1/162  
361/679.01  
2012/0147542 A1 \* 6/2012 Kim ..... G06F 1/1683  
361/679.28  
2013/0010405 A1 \* 1/2013 Rothkopf ..... G06F 1/1681  
361/679.01  
2013/0233762 A1 \* 9/2013 Balaji ..... B29C 65/7802  
206/736  
2013/0301206 A1 \* 11/2013 Whitt, III ..... G06F 3/02  
361/679.28  
2015/0277506 A1 \* 10/2015 Cheah ..... G06F 1/1618  
361/679.27

\* cited by examiner

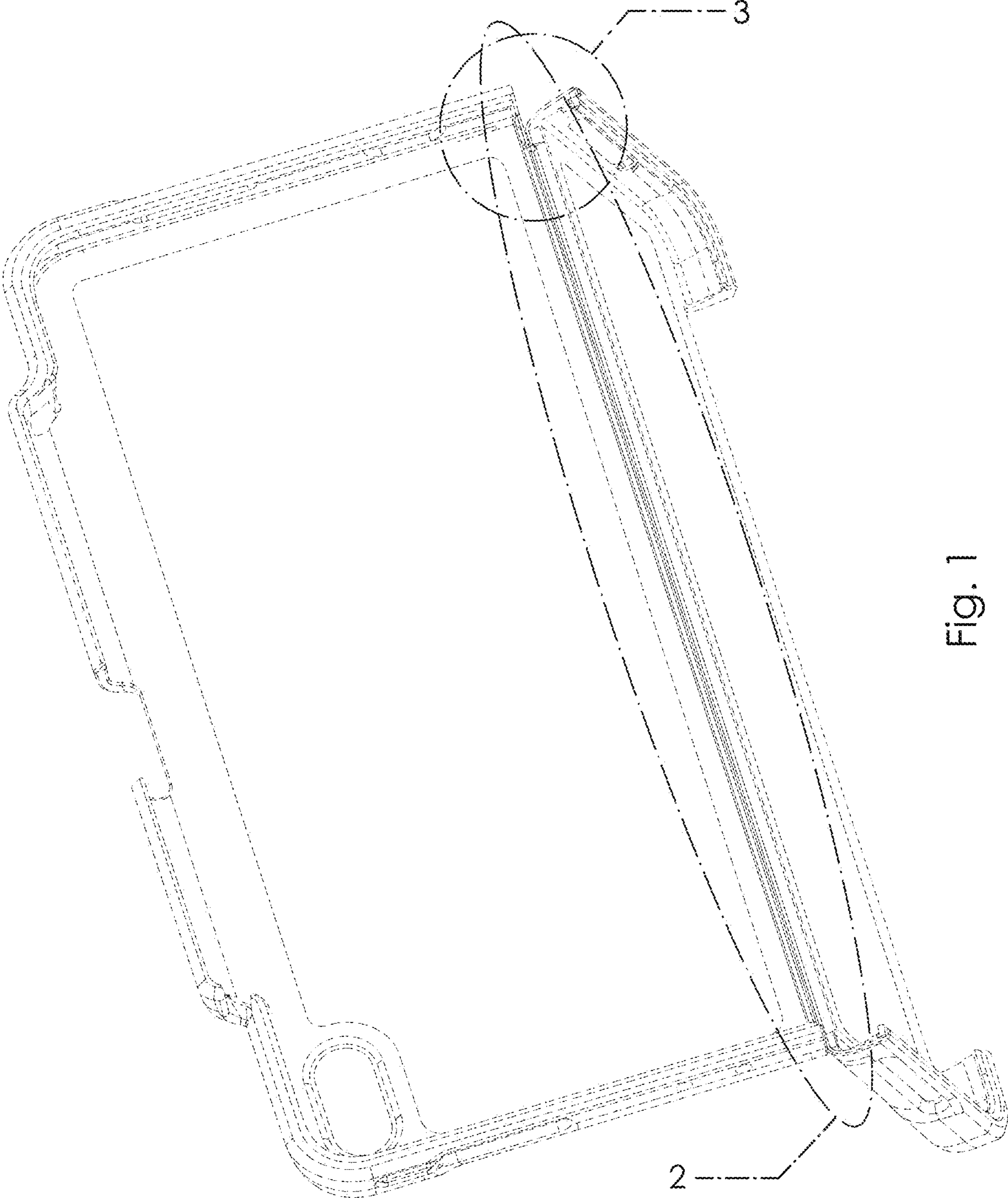


Fig. 1

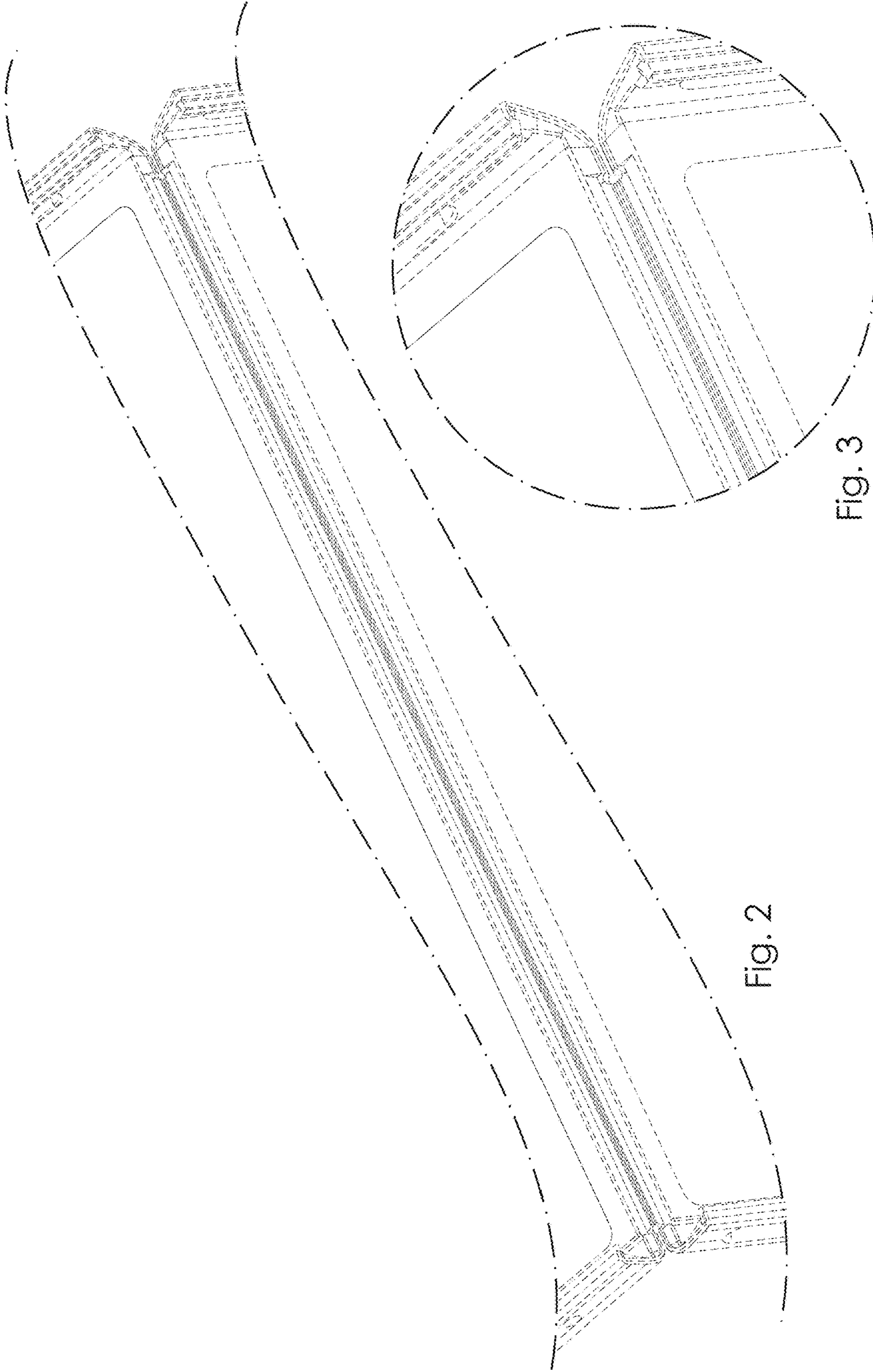


Fig. 2

Fig. 3

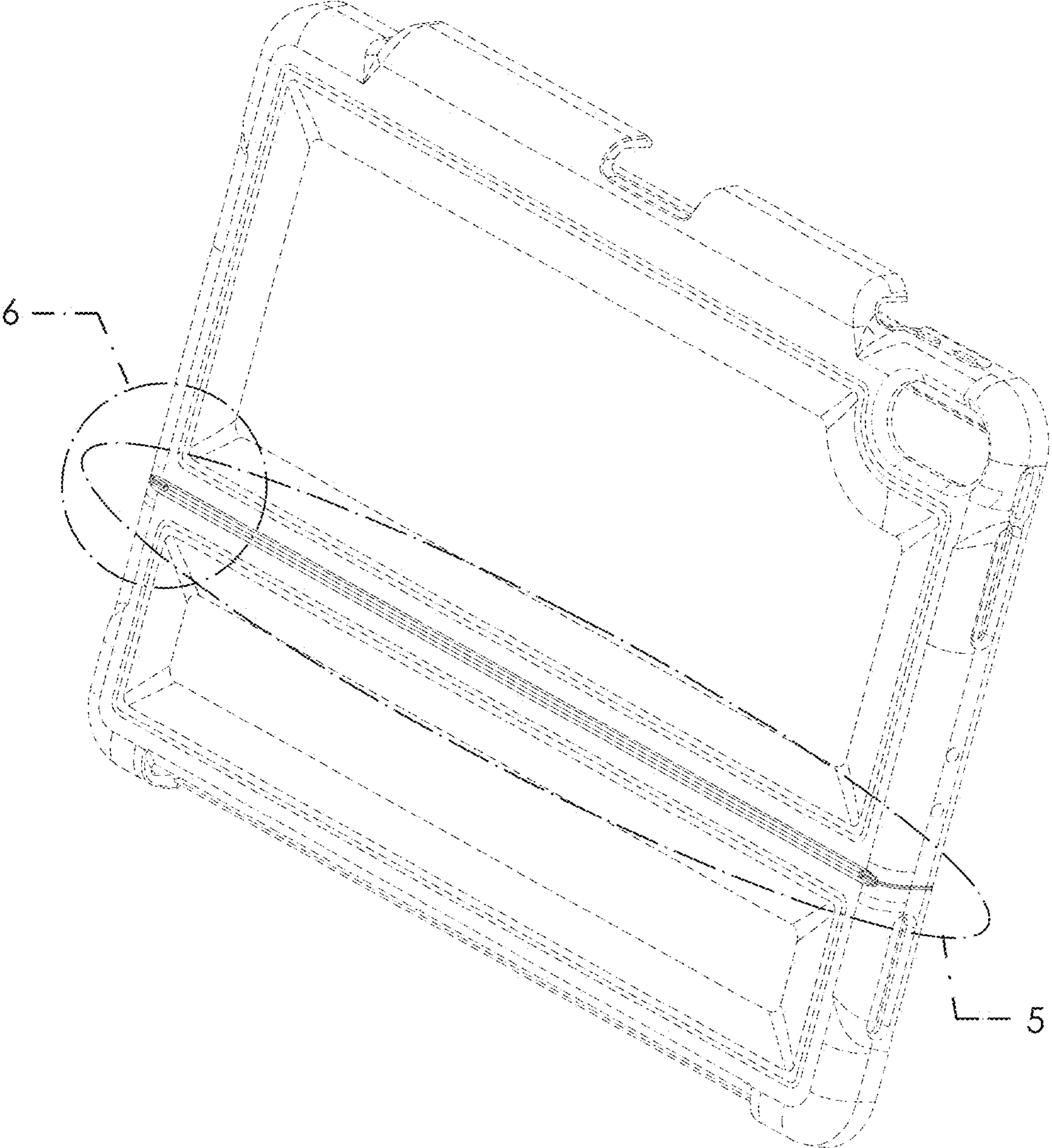


FIG. 4

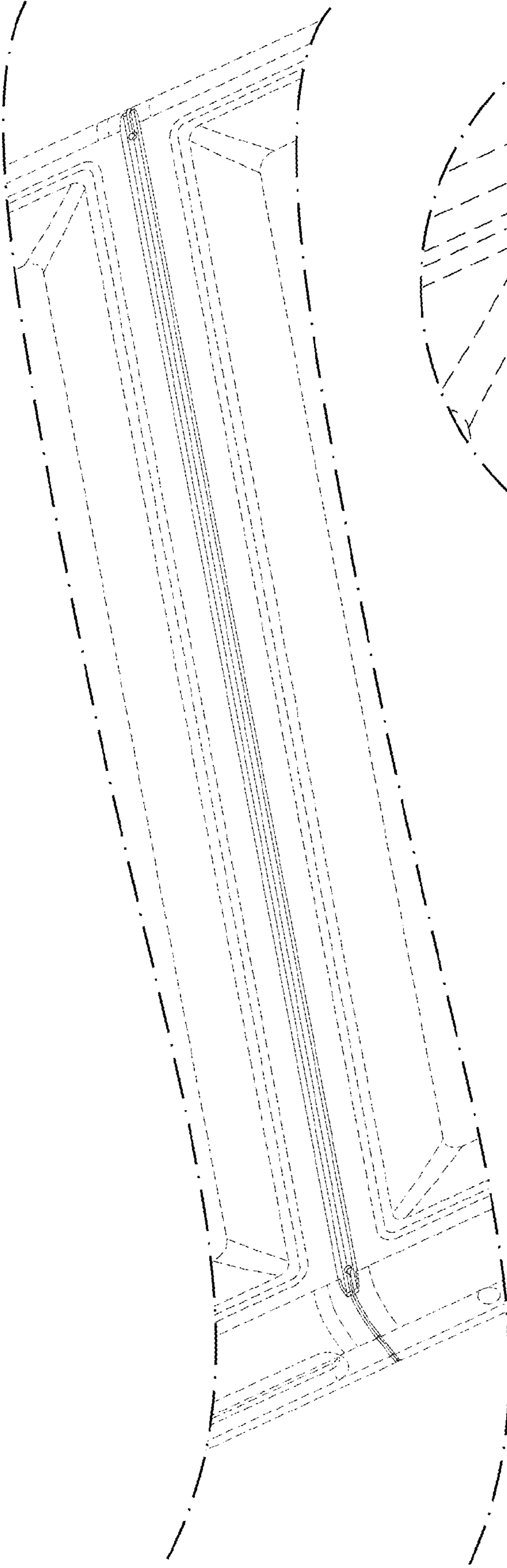


Fig. 5

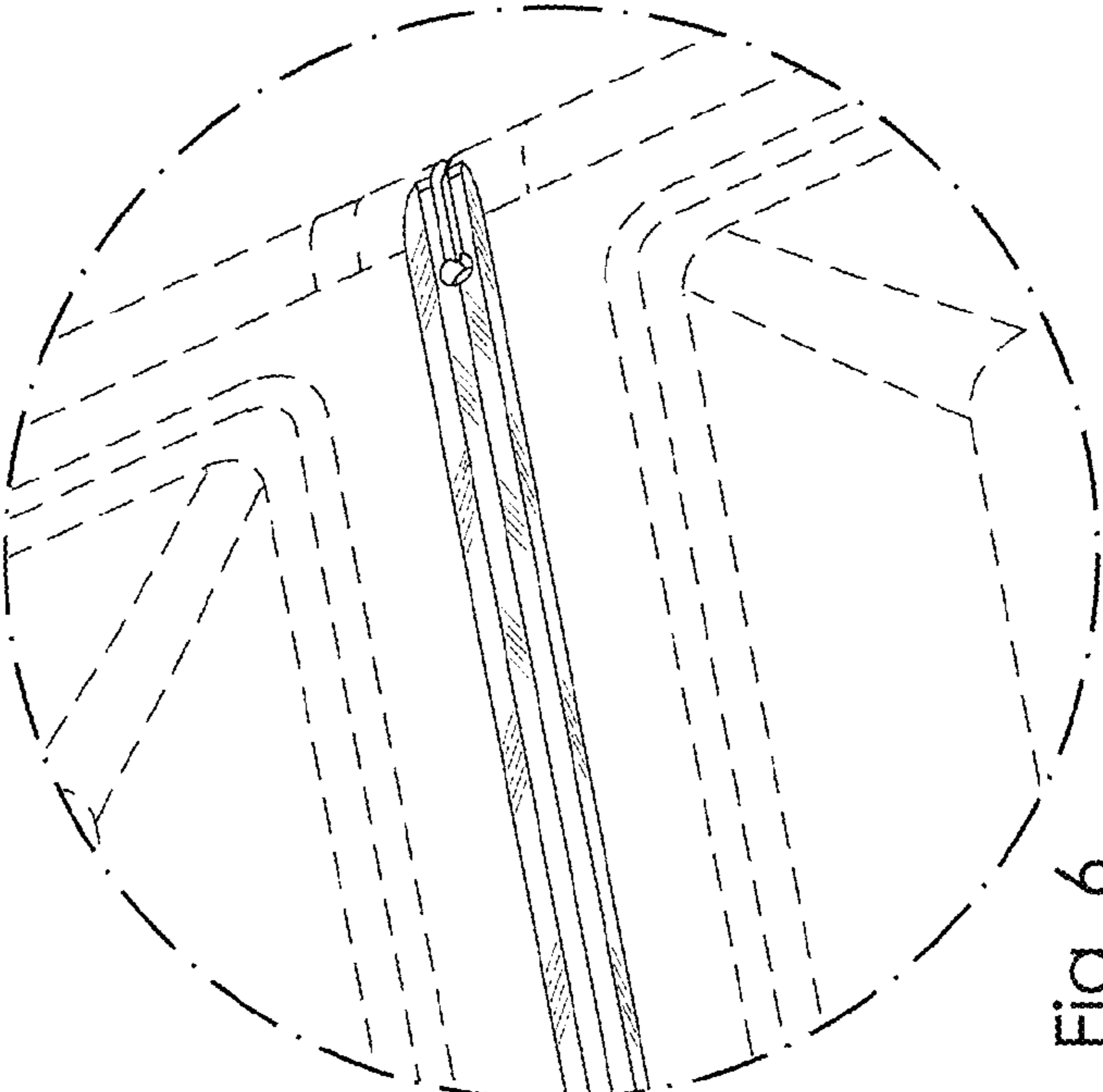


Fig. 6

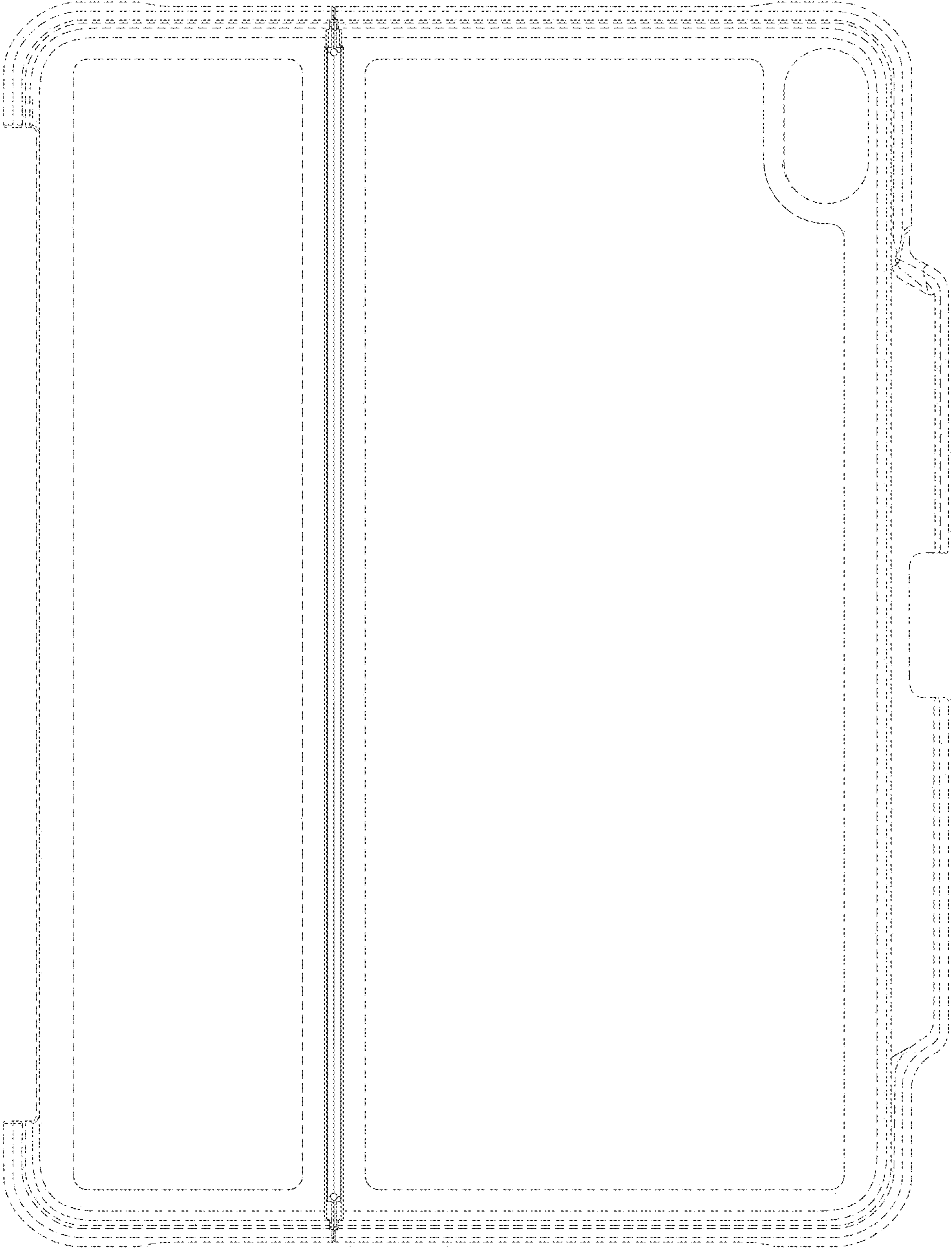


Fig. 7

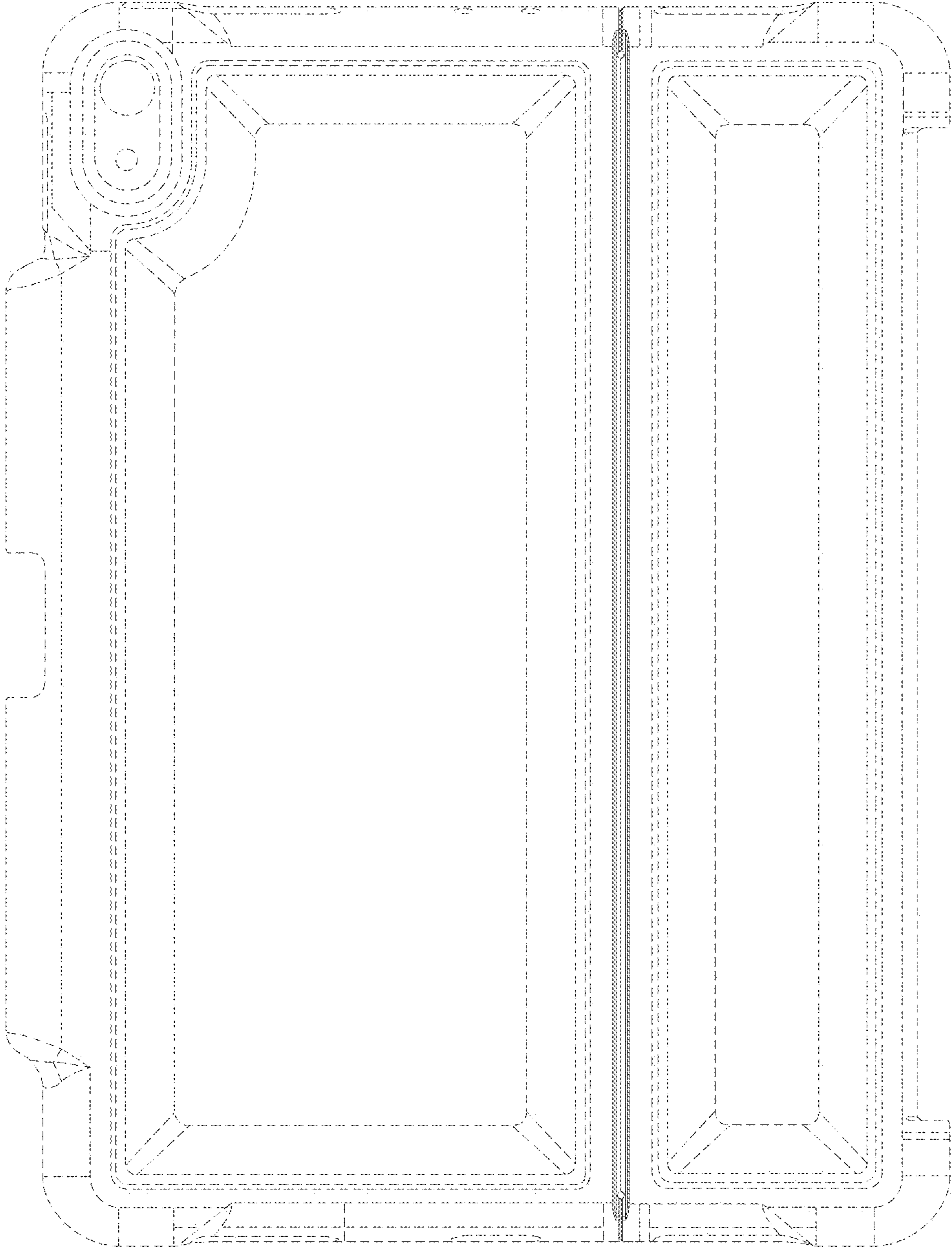


Fig. 8



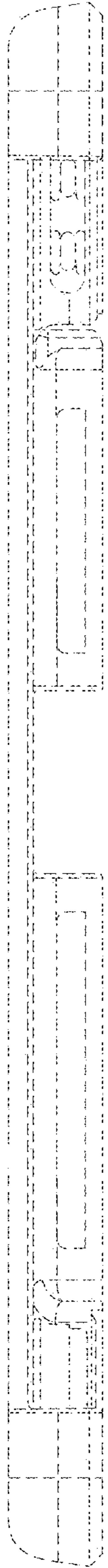


Fig. 9

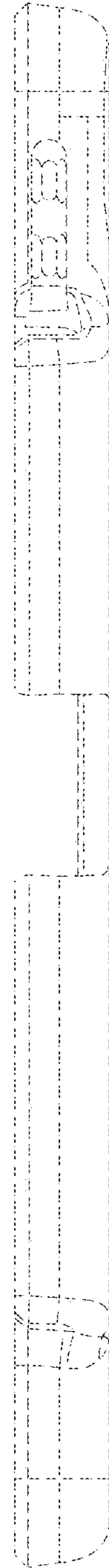


Fig. 10



Fig. 11

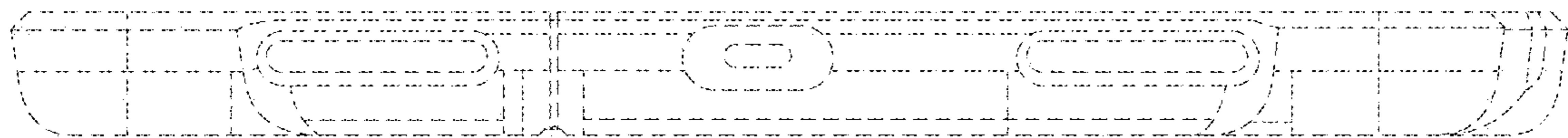


Fig. 12