



US00D910013S

(12) **United States Design Patent** (10) **Patent No.:** **US D910,013 S**
Amijo et al. (45) **Date of Patent:** **** Feb. 9, 2021**

(54) **DISPLAY DEVICE**
(71) Applicant: **HTC Corporation**, Taoyuan (TW)
(72) Inventors: **Natalia Amijo**, Taoyuan (TW);
Motokimi Yono, Taoyuan (TW); **Stuart Kyle**, Taoyuan (TW); **Benjamin Kai Norman Robertson**, Taoyuan (TW)
(73) Assignee: **HTC Corporation**, Taoyuan (TW)
(**) Term: **15 Years**
(21) Appl. No.: **29/743,709**
(22) Filed: **Jul. 23, 2020**

Related U.S. Application Data

(62) Division of application No. 29/674,931, filed on Dec. 27, 2018, now Pat. No. Des. 896,223.
(51) **LOC (13) Cl.** **14-02**
(52) **U.S. Cl.**
USPC **D14/372**
(58) **Field of Classification Search**
USPC D14/372, 496, 432, 371, 125, 126, 129,
D14/299; D16/300-342; 351/158, 153,
351/144; 345/7-9, 905; 455/344;
348/115, 53, 121, 739
CPC G02B 27/017; G02B 27/0158; G02B
27/0161; G02B 27/0181; G02B 27/0185;
G02B 27/0189
See application file for complete search history.

(56) **References Cited**

U.S. PATENT DOCUMENTS

D801,970 S 11/2017 Sullivan et al.
D810,743 S * 2/2018 Yee D14/372
D822,659 S * 7/2018 Spio D14/372
D831,029 S * 10/2018 Gu D14/372
D838,718 S * 1/2019 Chiang D14/372
D839,269 S 1/2019 Wang

D840,399 S * 2/2019 Miller D14/372
D858,521 S 9/2019 Neil et al.
D859,406 S * 9/2019 Wei D14/372
D860,199 S * 9/2019 McGinty, Jr. D14/372
D860,200 S * 9/2019 McGinty, Jr. D14/372
D861,680 S * 10/2019 Chou D14/372
D863,300 S * 10/2019 Boger D14/372

(Continued)

FOREIGN PATENT DOCUMENTS

CN 304301738 S 9/2017
JP D1617521 S 11/2018
TW D185058 S 8/2017

OTHER PUBLICATIONS

U.S. Notice of Allowance for U.S. Appl. No. 29/743,715 dated Oct. 23, 2020.

(Continued)

Primary Examiner — Austin Murphy

(74) *Attorney, Agent, or Firm* — Birch, Stewart, Kolasch & Birch, LLP

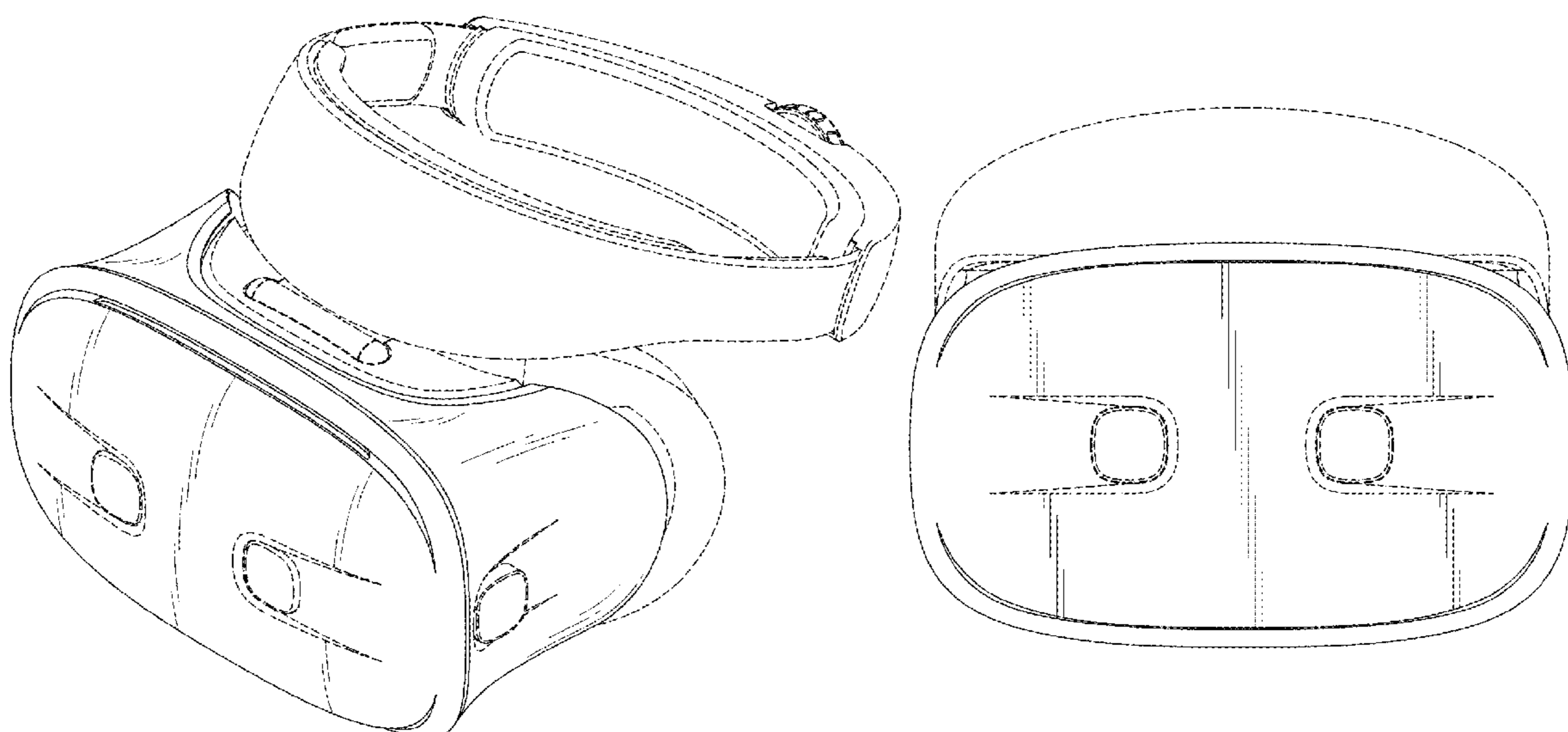
(57) **CLAIM**

The ornamental design for a display device, as shown and described.

DESCRIPTION

FIG. 1 is a top perspective view of a display device in accordance with our new design;
FIG. 2 is a front view thereof;
FIG. 3 is a rear view thereof;
FIG. 4 is left view thereof;
FIG. 5 is a right view thereof;
FIG. 6 is a top plan view thereof; and,
FIG. 7 is a bottom plan view thereof.
The broken lines, which show portions of a display device, form no part of the claimed design.

1 Claim, 5 Drawing Sheets



(56)

References Cited

U.S. PATENT DOCUMENTS

D865,763 S	11/2019	Lau et al.	
D865,764 S *	11/2019	Miller	D14/372
D869,464 S	12/2019	Chang et al.	
D872,079 S *	1/2020	Huang	D14/372
D872,082 S *	1/2020	Denhez	D14/372
D873,825 S	1/2020	Lionel et al.	
D875,093 S *	2/2020	Park	D14/372
D875,094 S *	2/2020	Miller	D14/372
D883,280 S *	5/2020	Shao	D14/372
D892,792 S *	8/2020	Miller	D14/372
D893,478 S *	8/2020	Watanabe	D14/372
D896,222 S	9/2020	Amijo et al.	
D896,223 S *	9/2020	Amijo	D14/372

OTHER PUBLICATIONS

U.S. Notice of Allowance for U.S. Appl. No. 29/743,717, dated Oct. 23, 2020.

U.S. Notice of Allowance for U.S. Appl. No. 29/743,720 dated Oct. 23, 2020.

* cited by examiner

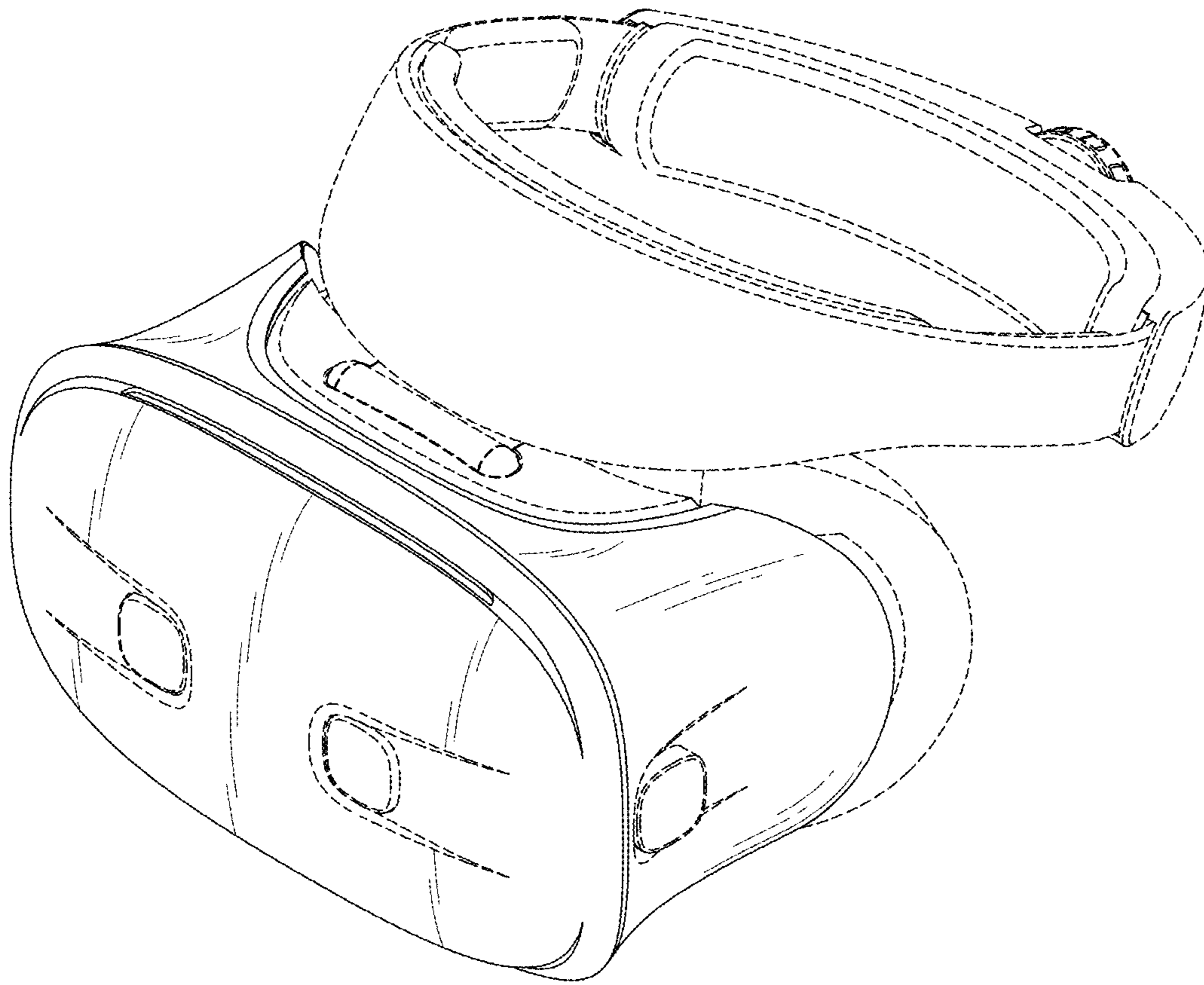


FIG. 1

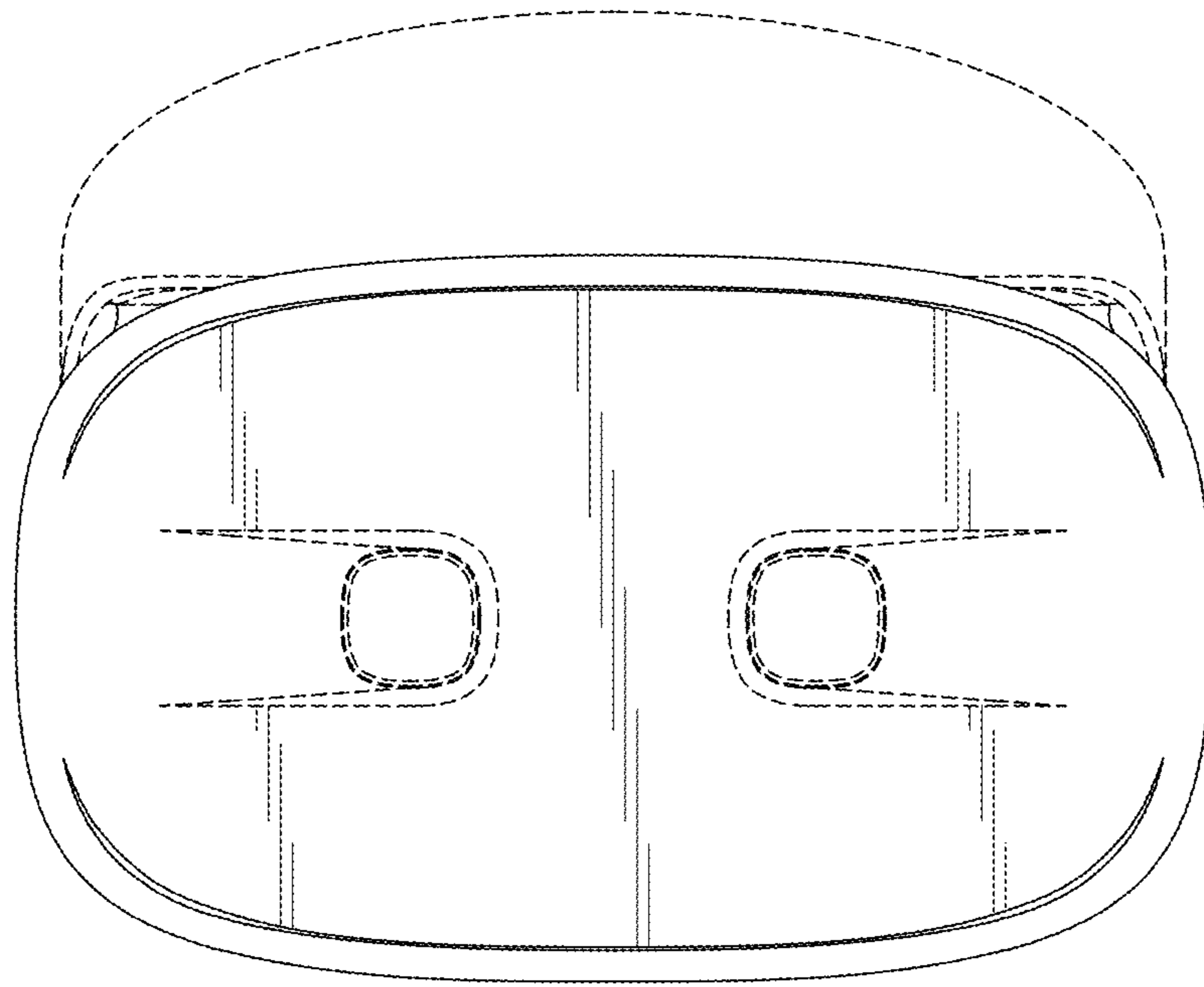


FIG. 2

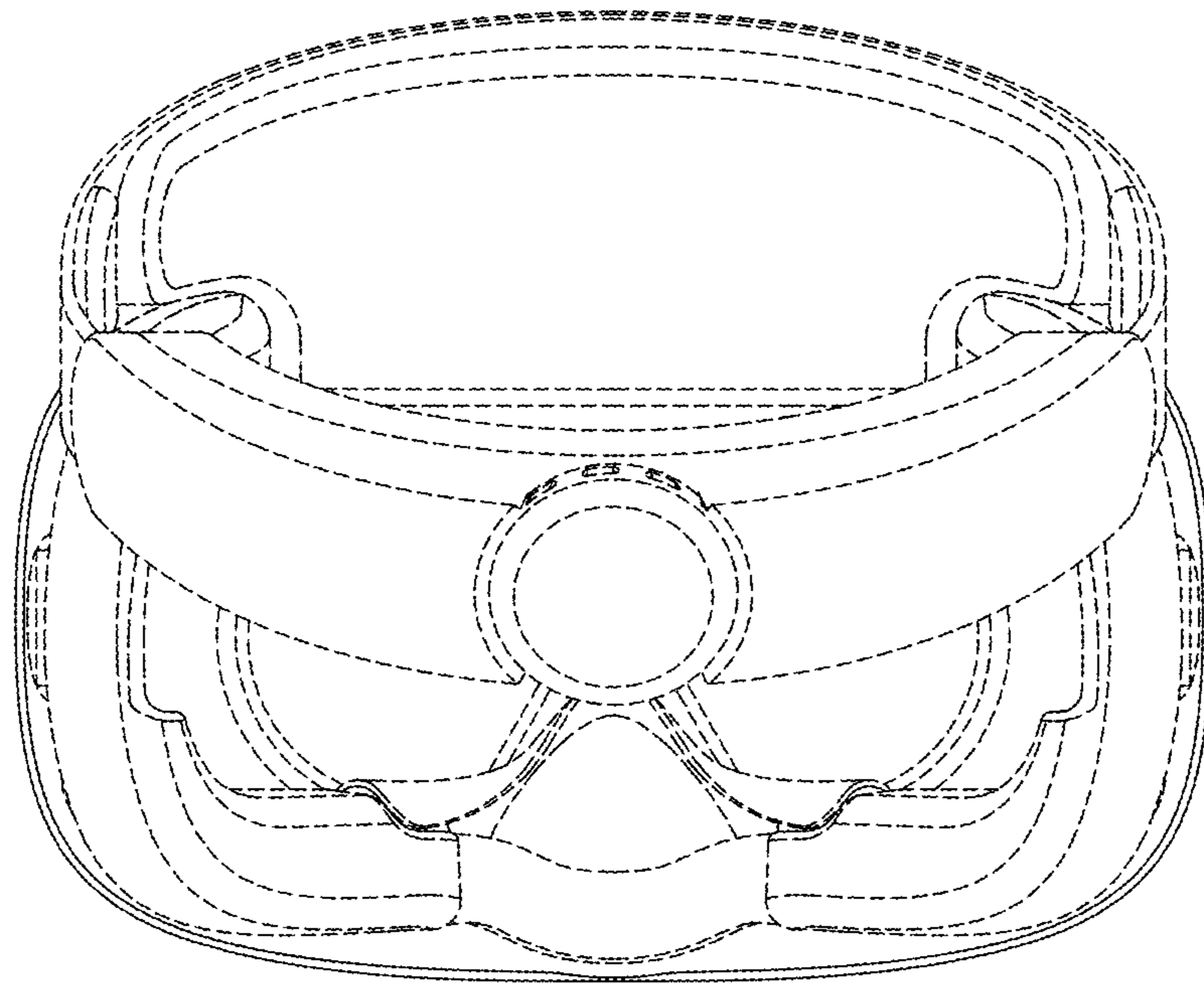


FIG. 3

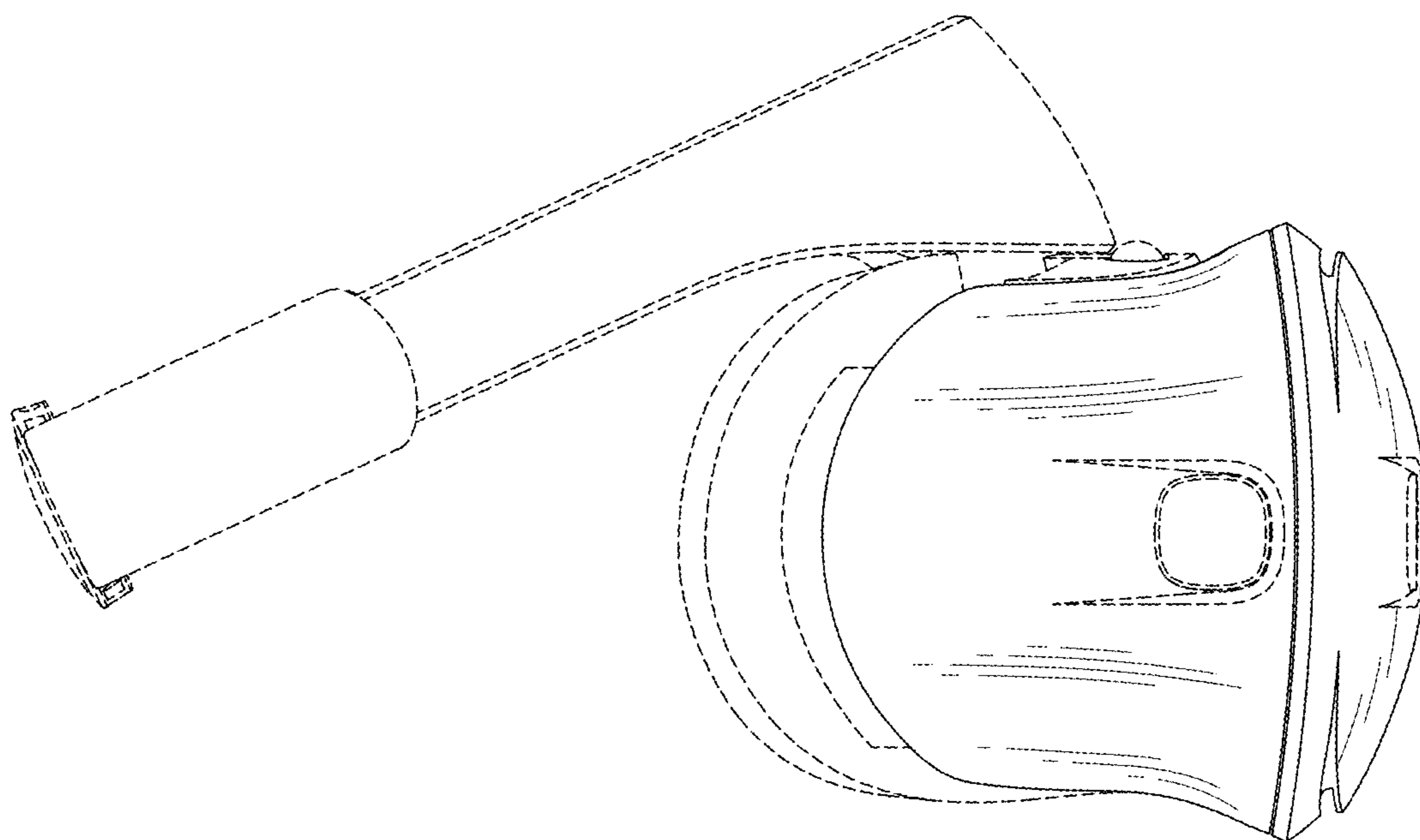


FIG. 4

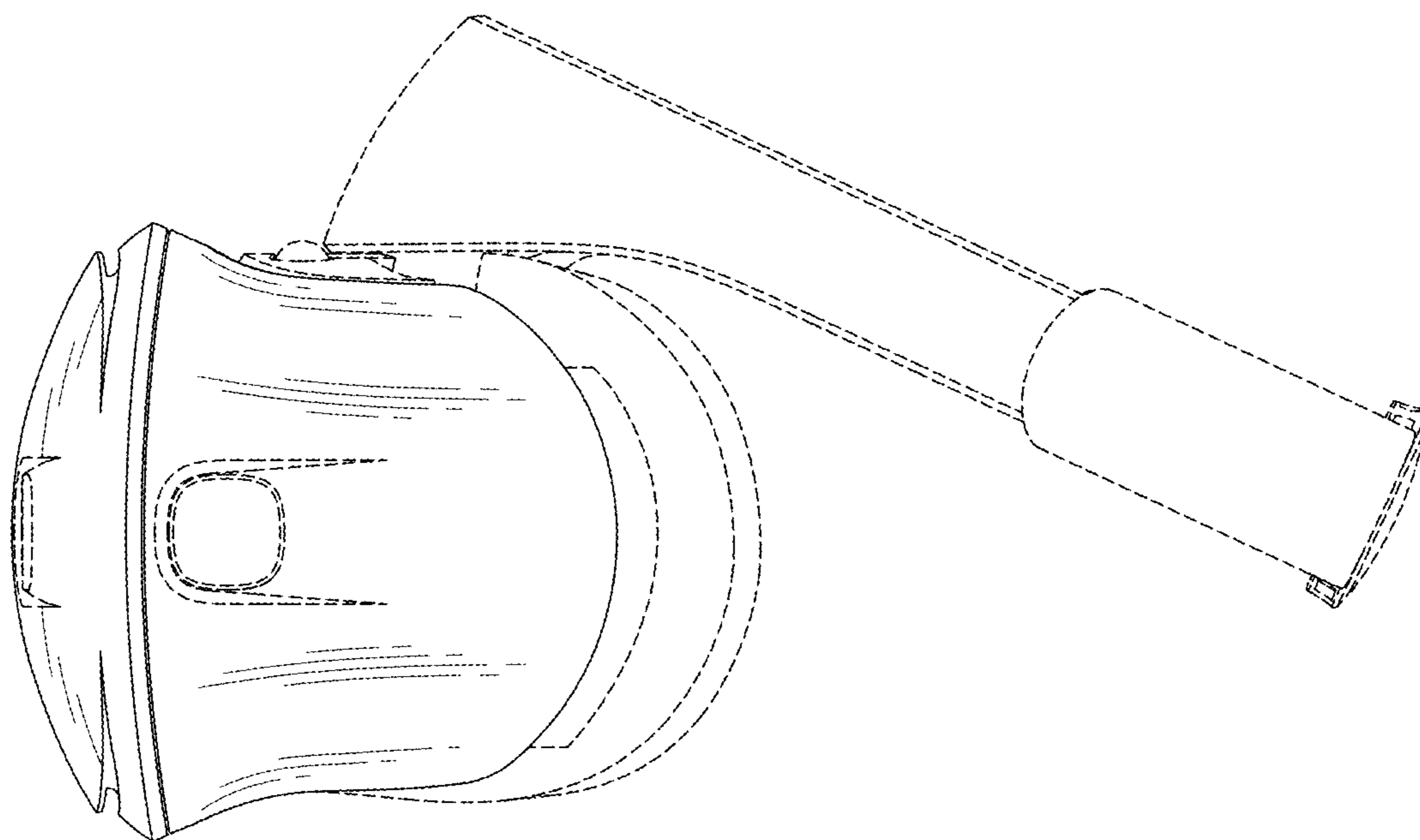


FIG. 5

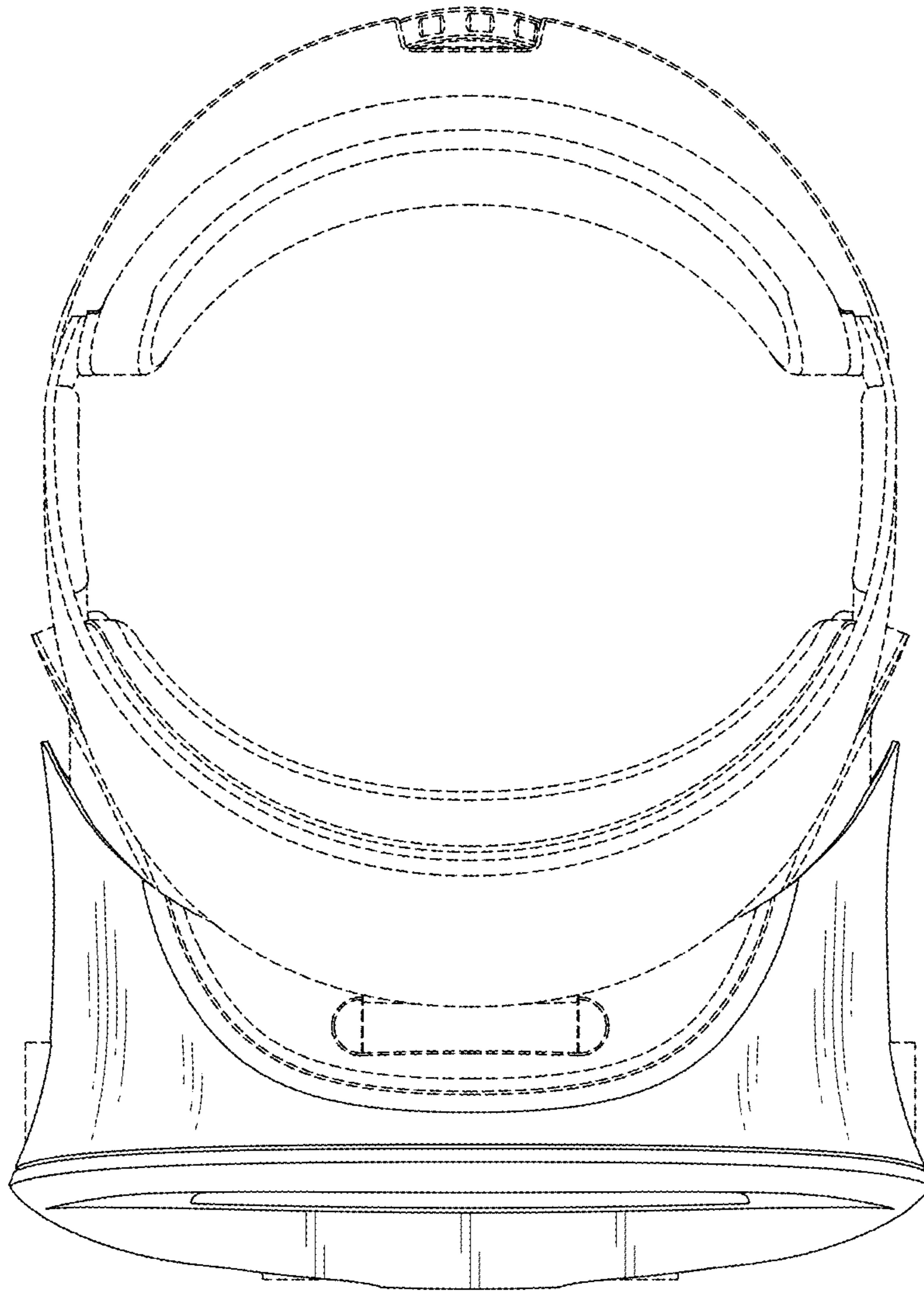


FIG. 6

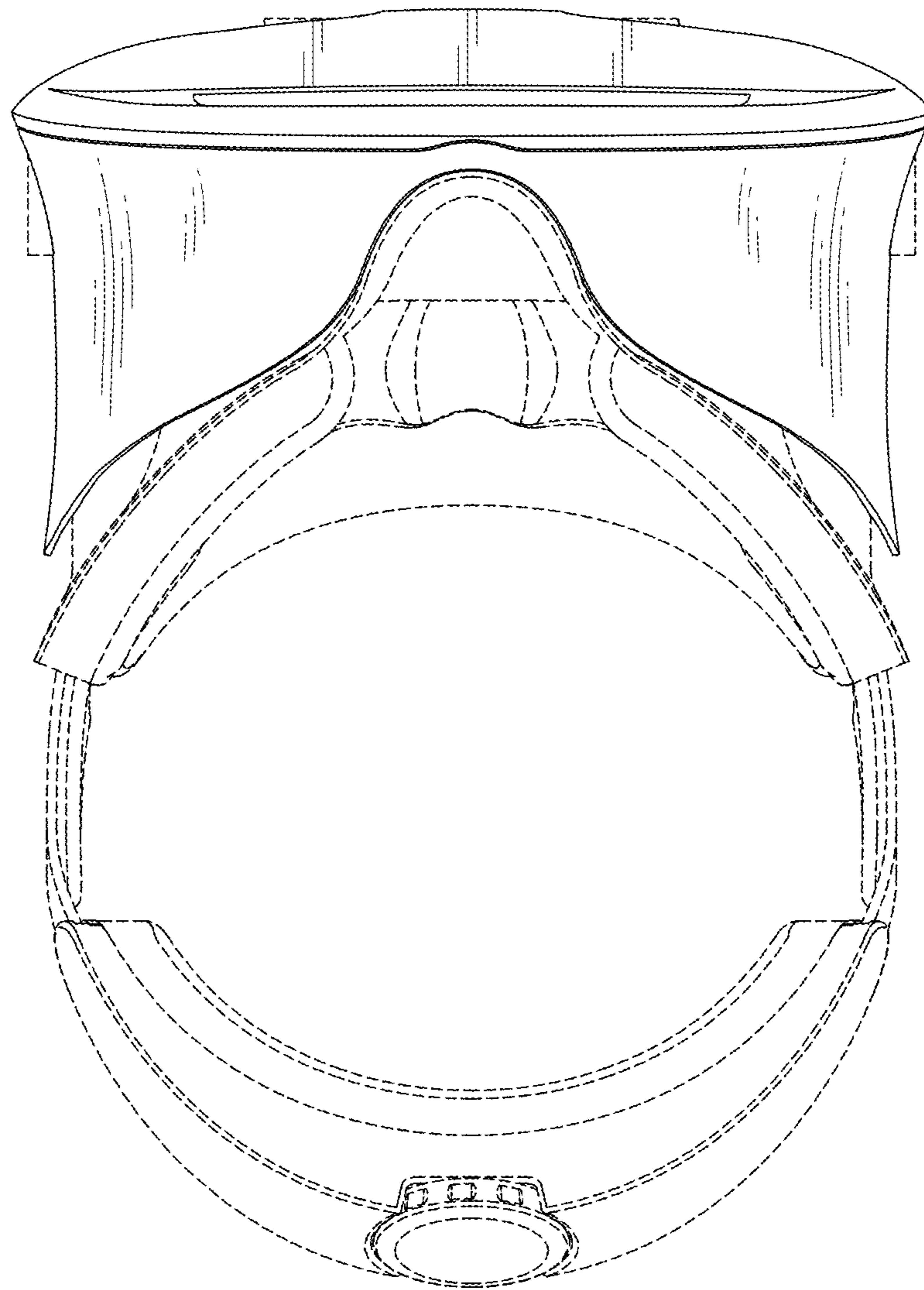


FIG. 7