



US00D910012S

(12) **United States Design Patent** (10) **Patent No.:** **US D910,012 S**
Vandenbussche et al. (45) **Date of Patent:** **** Feb. 9, 2021**

(54) **SMART WATCH**

FOREIGN PATENT DOCUMENTS

(71) Applicant: **Fitbit, Inc.**, San Francisco, CA (US)

CH 135962 5/2009
CH 143517 10/2017

(72) Inventors: **Gregoire Ludovic Vincent Vandenbussche**, San Francisco, CA (US); **Jonah Avram Becker**, San Francisco, CA (US); **Irina Igorevna Kozlovskaya**, San Francisco, CA (US); **Cory William Worth**, Palo Alto, CA (US); **Chadwick John Harber**, San Francisco, CA (US); **Junyong Park**, San Francisco, CA (US)

(Continued)

OTHER PUBLICATIONS

Fitbit Versa Lite review: Lower cost with little sacrifice, announced Apr. 3, 2019 [online], [retrieved Sep. 25, 2019]. Available from Internet, URL: <<https://www.macworld.com/article/3386382/fitbit-versa-lite-review.html>> (Year: 2019).*

(Continued)

(73) Assignee: **Fitbit, Inc.**, San Francisco, CA (US)

Primary Examiner — Dana K Weiland

(**) Term: **15 Years**

(74) *Attorney, Agent, or Firm* — Polson Intellectual Property Law, PC; Margaret Polson

(21) Appl. No.: **29/702,397**

(57) **CLAIM**

The ornamental design for a smart watch, as shown and described.

(22) Filed: **Aug. 19, 2019**

DESCRIPTION

Related U.S. Application Data

(63) Continuation of application No. 29/688,946, filed on Apr. 25, 2019.

This application is related to application 29/669,190 filed Nov. 6, 2018, which is incorporated entirely by reference herein for all purposes.

(51) **LOC (13) Cl.** **14-02**

FIG. 1 is a top, right side isometric view of our new design for a smart watch with the bands attached;

(52) **U.S. Cl.**

FIG. 2 is a top view thereof;

USPC **D14/344**

FIG. 3 is a bottom view thereof;

(58) **Field of Classification Search**

USPC D14/344, 138 R, 144, 341, 358, 388; D10/30-39, 70, 98; D11/3, 4, 26, 93-94,

FIG. 4 is a right side view thereof;

FIG. 5 is a left side view thereof;

FIG. 6 is a front view thereof;

FIG. 7 is a back view thereof;

(Continued)

FIG. 8 is a to right side isometric view of the smart watch of FIG. 1 with the bands in the clasped position; and,

FIG. 9 is an exploded isometric view of FIG. 1.

(56) **References Cited**

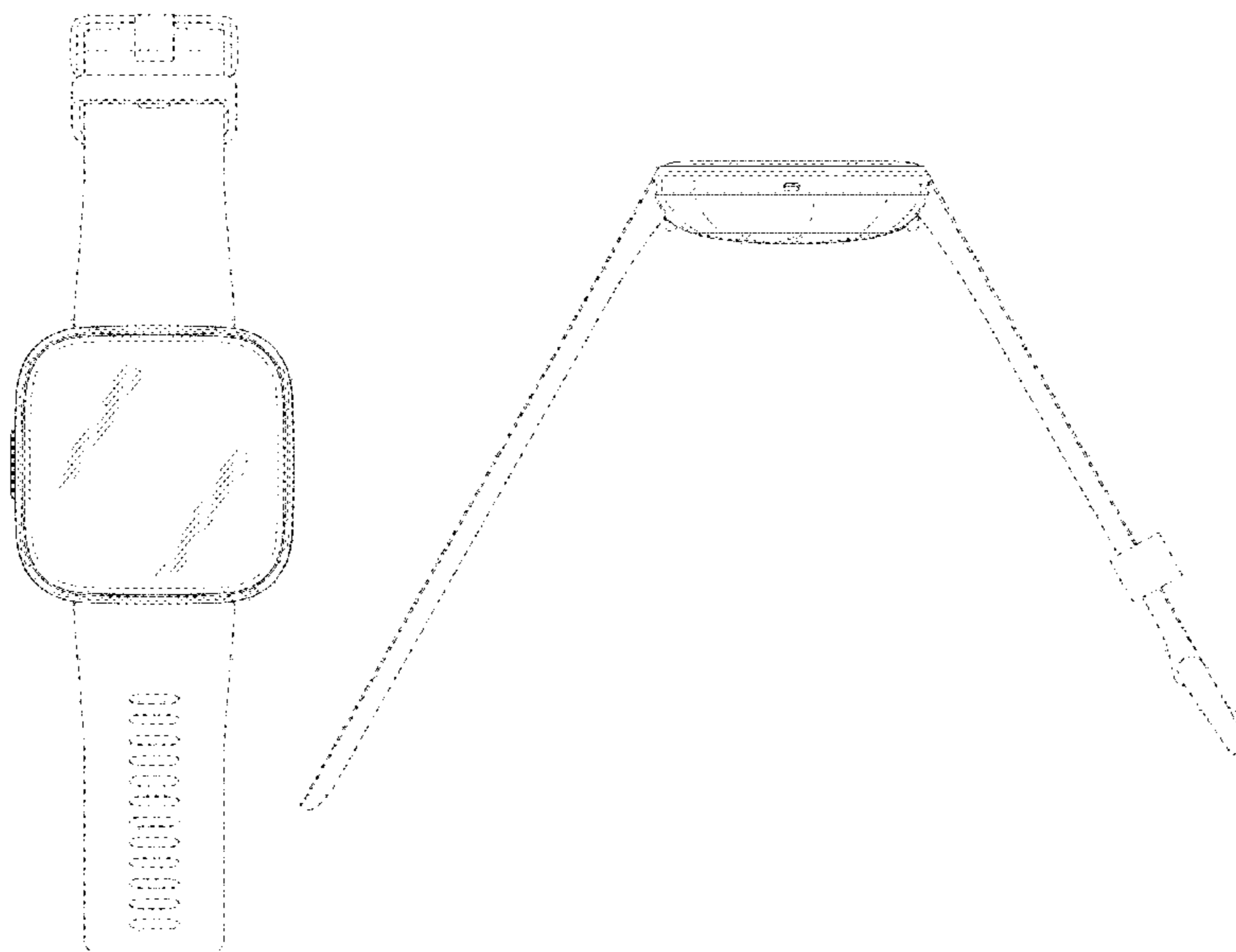
U.S. PATENT DOCUMENTS

The features shown in broken lines in the drawing depict portions of the smart watch that form no part of the claimed design.

4,106,677 A 8/1978 Helmso
D251,773 S 5/1979 Morabito

(Continued)

1 Claim, 8 Drawing Sheets



(58) **Field of Classification Search**
 USPC D11/78.1, 79, 86; D24/167, 169,
 D24/186-187, 164
 CPC G06F 1/163; G06F 3/014; G04G 21/08;
 G04G 15/00; A61B 5/681; H04M 1/7253
 See application file for complete search history.

(56) **References Cited**

U.S. PATENT DOCUMENTS

D264,946 S	6/1982	Hirabayashi	
D528,439 S *	9/2006	Burton	D10/32
D528,928 S	9/2006	Burton	
D555,019 S	11/2007	Au Yeung	
D589,375 S	3/2009	Tang	
D622,857 S *	8/2010	Ramsey	D24/186
D632,984 S	2/2011	Register et al.	
D637,097 S	5/2011	Tseng	
D638,725 S *	5/2011	Morrison	D10/39
D644,542 S	9/2011	Henne et al.	
D665,680 S	8/2012	Shigeno et al.	
D688,967 S	9/2013	Wilson	
D693,248 S	11/2013	Anderssen et al.	
D693,249 S	11/2013	Anderssen et al.	
D694,753 S *	12/2013	McManigal	D14/368
D715,167 S	10/2014	Busse	
D725,497 S *	3/2015	Henne	D10/38
D726,680 S *	4/2015	Kim	D10/37
D726,924 S *	4/2015	Tseng	D24/186
D728,562 S	5/2015	Park et al.	
D737,159 S	8/2015	Akana et al.	
D741,726 S	10/2015	Akana et al.	
D743,278 S	11/2015	Solomon et al.	
D745,005 S *	12/2015	Kim	D10/38
D746,702 S	1/2016	Galli	
D747,494 S	1/2016	Tamsiran	
D747,979 S *	1/2016	Babcock	D10/30
D749,570 S *	2/2016	Lee	D14/344
D751,550 S *	3/2016	Solomon	D10/38
D759,011 S *	6/2016	Akana	D14/344
D760,717 S *	7/2016	Solomon	D14/344
D763,107 S	8/2016	Nielsen et al.	
D765,655 S *	9/2016	Tao	D10/38
D766,115 S *	9/2016	Ma	D10/38
D766,752 S	9/2016	Akana et al.	
D769,869 S	10/2016	Zhou et al.	
D771,035 S	11/2016	Akana et al.	
D771,504 S	11/2016	Lai et al.	
D772,081 S	11/2016	Lee et al.	
D777,590 S	1/2017	Nielsen et al.	
9,551,608 B2	1/2017	Cho et al.	
D784,346 S *	4/2017	Tao	D10/103
D786,706 S	5/2017	Connor et al.	
9,658,347 B2	5/2017	Jacob et al.	
D789,219 S	6/2017	Ferraris et al.	
D790,538 S *	6/2017	Saimen	D14/240
9,743,695 B2	8/2017	Yoo	
D800,172 S	10/2017	Akana et al.	
D800,721 S *	10/2017	Kim	D14/344
D802,587 S	11/2017	Lee et al.	
D805,413 S	12/2017	Chen et al.	
D805,513 S	12/2017	Akana et al.	
D805,929 S	12/2017	Akana et al.	
D806,880 S	1/2018	Henning	
D807,765 S *	1/2018	Akana	D10/70
D808,961 S	1/2018	Lee et al.	
D809,510 S	2/2018	Rochat et al.	
D813,058 S	3/2018	Kanikananta	
D813,229 S	3/2018	Ling et al.	
D816,695 S	5/2018	Spector	
10,038,361 B2	7/2018	Hajati et al.	
10,058,149 B1	8/2018	Wittenberg et al.	
D828,352 S	9/2018	Akana et al.	
D830,874 S	10/2018	Shames et al.	
D836,007 S *	12/2018	Duval	D10/39
D837,206 S	1/2019	Guan et al.	
D839,753 S *	2/2019	Domke	D10/30

D842,724 S *	3/2019	Vandenbussche	D10/70
D843,864 S *	3/2019	Vandenbussche	D10/70
D850,444 S *	6/2019	Mullins	D14/344
D854,433 S *	7/2019	Vandenbussche	D10/70
D855,807 S	8/2019	Schroeder	
D855,813 S *	8/2019	Hu	D24/186
D862,462 S *	10/2019	Zhang	D14/344
D864,767 S *	10/2019	Vandenbussche	D10/70
D869,461 S *	12/2019	Ke	D14/344
D869,462 S *	12/2019	Ke	D14/344
D895,614 S *	9/2020	Vandenbussche	D14/344
D895,615 S *	9/2020	Vandenbussche	D14/344
D900,808 S *	11/2020	Vandenbussche	D14/344
D903,664 S *	12/2020	Riot	D14/344
2015/0248235 A1	9/2015	Offenberg et al.	
2017/0311884 A1	11/2017	Takahashi et al.	

FOREIGN PATENT DOCUMENTS

CN	302930198 S	9/2014
CN	303004622 S	11/2014
CN	303246872 S	6/2015
CN	303306813 S	7/2015
CN	303356820 S	9/2015
CN	303477261 S	12/2015
CN	303506081 S	12/2015
CN	303518931 S	12/2015
CN	303540593 S	1/2016
CN	303675678 S	5/2016
CN	303709447 S	6/2016
CN	303754167 S	7/2016
CN	303770285 S	8/2016
CN	303770318 S	8/2016
CN	303795823 S	8/2016
CN	303814677 S	8/2016
CN	303995256 S	1/2017
CN	304020160 S	2/2017
CN	304071447 S	3/2017
CN	304094572 s	4/2017
CN	304144485 S	5/2017
CN	304157225 S	6/2017
CN	304244860 s	8/2017
CN	304326771 S	10/2017
CN	304374415 S	11/2017
CN	304399311 S	12/2017
CN	304425668 S	12/2017
CN	304436817 S	1/2018
CN	304436826 S	1/2018
CN	304442939 S	1/2018
CN	304492882 S	2/2018
CN	304534953 S	3/2018
CN	304565317 S	4/2018
CN	304582985 S	4/2018
CN	304629080 S	5/2018
CN	304704202 S	6/2018
CN	304710123 S	7/2018
CN	304716087 S	7/2018
CN	304730761 s	7/2018
CN	304782979 S	8/2018
CN	207833246 U	9/2018
CN	304805429 S	9/2018
CN	304825093 S	9/2018
CN	304828368 S	9/2018
CN	304833706 s	9/2018
CN	304847172 S	10/2018
CN	304856681 s	10/2018
CN	304856828 S	10/2018
CN	304873653 S9	11/2018
CN	304880236 S	11/2018
CN	304918326 S	11/2018
CN	304925451 S	12/2018
CN	304925455 s	12/2018
CN	304951030 s	12/2018
CN	109188891 A	1/2019
CN	304973149 S	1/2019
CN	304973151 S	1/2019
CN	305070141 S	3/2019
CN	208752405 U	4/2019
CN	305114170 S	4/2019

(56)

References Cited

FOREIGN PATENT DOCUMENTS

CN	305140383	S	5/2019
CN	305146930	S	5/2019
CN	305178015	S	5/2019
CN	305178209	S	5/2019
CN	305178214	S	5/2019
CN	209949202	U	1/2020
CN	305580115	S	1/2020
EM	001109706-0017		3/2009
EM	003027218-0001		3/2016
EM	004428274-0006		10/2017
EM	005248101-0001		4/2018
EM	0056242624-0002		8/2018
EM	005832243-0001		11/2018
EM	005940475-0003		12/2018
EM	006428686-0001	*	8/2019
EM	006428686-0002	*	8/2019
EM	006428686-0007	*	8/2019
EM	005659018-0001		9/2019
GB	2034016		9/1993
GB	2071498		1/1998
GB	6041455		8/2018
GB	6041462		8/2018
IN	287980		12/2016
JP	D1627277		3/2019
KR	30-0881011		11/2016
KR	20-0483102	Y1	4/2017
WO	DM032249-033		2/1995
WO	DM048610-001		7/1999
WO	DM046720-002		9/1999
WO	DM050714-003		2/2000
WO	DM052261-018		6/2000
WO	DM053903-001		11/2000
WO	DM056258-003		5/2001
WO	DM060327-002		6/2002
WO	DM064634-003		11/2003
WO	DM064877-003		1/2004
WO	DM065602-002		7/2004
WO	DM069848-002		3/2008
WO	DM070127-002		5/2008
WO	DM069849-001		8/2008
WO	DM083337-003		4/2014
WO	DM083370-001		4/2014
WO	DM087754-003		9/2015
WO	DM090387-001		4/2016
WO	DM092631-001		9/2016
WO	DM092900-002		10/2016
WO	DM096669-001		6/2017
WO	DM099907-002		1/2018

OTHER PUBLICATIONS

Fitbit versa lite review-how to install replacement band, announced Mar. 19, 2019 [online], [retrieved Sep. 25, 2019]. Available from Internet, URL: <<https://www.youtube.com/watch?v=nS1LIP2wzY4>> (Year: 2019).*

Fitbit Versa 2, announced Sep. 9, 2019 [online], [retrieved Sep. 29, 2019]. Available from Internet, URL: <<https://www.pcmag.com/review/370567/fitbit-versa-2>> (Year: 2019).*

Poy Compatible Bands Replacement for Fitbit Alta, Fitbit Alta HR sold on Amazon. Website accessed Mar. 1, 2019.

Monster Fitness Multicolor Replacement Bands for Fitbit Flex sold on Amazon. Website accessed Mar. 1, 2019.

iGK Fitbit Alta Bands—replacement sport strap bands for Fitbit Alta for sale at Walmart (www.walmart.com). Website accessed Nov. 7, 2018.

Suunto Core watchband on Instagram. Accessed Feb. 7, 2017.

Suppa G-Shock Strap Adapters, online at least as early as Dec. 13, 2013. Accessed Feb. 7, 2017.

Monserat de Lucca Measuring Tape Bracelet for sale at Shopbop (www.shopbop.com). Website accessed Nov. 11, 2018.

Marc by Marc Jacobs Engraved Turlock Leather Bangle Bracelet for sale at Shopbop (www.shopbop.com). Website accessed Nov. 11, 2018.

ACBEE Replacement watch band with buckle for Fitbit Alta for sale at www.amazon.com, Website accessed Nov. 7, 2018.

Perfit rubber watch band with double prong buckle and spring bars for sale at www.amazon.com. Website accessed Nov. 7, 2018.

Waterproof diving silicone rubber strap with clasp for sale at www.aliexpress.com (Alibaba Group). Website accessed Feb. 7, 2018.

Damusy Fitness Tracker Smart Band for sale at www.activityandfitnesstrackers.com. Website accessed Nov. 10, 2018.

Volemer F09HR Smart Band Fitness Tracker for sale at www.epaky.com. Website accessed Nov. 10, 2018.

“First Look: Fitbit announces new Fitbit Alta activity tracker”, published Feb. 3, 2016 on DC Rainmaker (www.dcrainmaker.com). Website accessed Nov. 10, 2018.

Fitbit Alta—for sale by Fitbit (<https://www.fitbit.com/alta>). Website accessed Mar. 27, 2017.

Fitbit Alta replacement bands—for sale at www.amazon.com. Website accessed Jul. 17, 2017.

Fitbit Alta review published Mar. 25, 2016 on CNet (www.cnet.com). Website accessed Nov. 10, 2018.

Fitbit Charge 2 Heart Rate and Fitness Wristband for sale at www.amazon.co.uk. Website accessed Feb. 7, 2018.

Fitbit Flex Wireless Activity and Sleep Wristband for sale at www.amazon.com. Listed at least as early as Apr. 16, 2013.

Fitbit Ionic Accessory Band for sale at Nordstrom (<https://shop.nordstrom.com>). Website accessed Nov. 7, 2018.

Fitbit Alta HR Bands for sale at The Fitness Equipment Shop (www.thefitnessequipmentshop.com). Website accessed Nov. 17, 2018.

Luminox Replacement Rubber Watch Band Strap for sale at Walmart (www.walmart.com). Website accessed Nov. 7, 2018.

“MPOW DS-D6 Fitness Band Review” published Jan. 13, 2018 on ZeroAir (www.zeroair.wordpress.com). Website accessed Nov. 10, 2018.

“Fitbit Product Teardown” on Pinterest, pinned from www.ifixit.com. Website accessed Feb. 27, 2017.

Pro Elite Medicine Ball by Power Systems (www.power-systems.com). Website accessed Feb. 7, 2018.

Replacement metal watch band Connector for Fitbit Alta/Fitbit Alta HR for sale at Banggood (www.banggood.com). Website accessed Nov. 10, 2018.

Citrine by the Stones Sol Forearm Band for sale at Shopbop (www.shopbop.com). Website accessed Nov. 11, 2018.

Gorjana Mia Wrap Cuff for sale at Shopbop (www.shopbop.com). Website accessed Nov. 11, 2018.

Fintie for Gear S2 Watch Band Stainless Steel Metal Replacement Strap, for sale at www.amazon.com. Website accessed Apr. 24, 2019.

Fitbit Inspire HR review: One size, many styles, fit all, posted May 24, 2019, [retrieved Jun. 5, 2019]. Retrieved from Internet, <URL: <https://www.macworld.com/article/3397320/fitbit-inspire-hr-review.html>>.

The New Fitbit Inspire HR is Finally Available to the Public!, posted Mar. 6, 2019, [retrieved Jun. 5, 2019]. Retrieved from Internet, <URL: <https://amyeverafter.com/new-fitbit-inspire-hr-srnat-watch/>>.

Samsung’s 6th srnatwatch has a 3G modern and a massive curved display, posted Aug. 28, 2014, [retrieved Jun. 5, 2019]. Retrieved from Internet, <URL: <https://arstechnica.com/gadgets/2014/08/samsungs-fith-srnatwatch-has-a-3g-modern-and-a-massive-curved-display/>>.

Microsoft Band 2 Fitness Tracker with Curved Screen Announced, posted Oct. 7, 2015, [retrieved Jun. 5, 2019]. Retrieved from Internet, <URL: <https://gadgets.in.com/microsoft-band-2-fitness-tracker-with-curved-screen-announced.html>>.

Samsung Introduces Three New Wearables for Balanced and Connected Living, Samsung Newsroom, posted Feb. 20, 2019, accessed Feb. 25, 2019. <URL: <https://news.samsung.com/us/samsung-wearable-galaxy-watch-active-galaxy-fit-galaxy-buds-unpacked-2019/>>.

U.S. Appl. No. 29/572,967, filed Aug. 1, 2016, applicant Fitbit, Inc. U.S. Appl. No. 29/614,479, filed Aug. 18, 2017, applicant Fitbit, Inc.

(56)

References Cited

OTHER PUBLICATIONS

U.S. Appl. No. 29/593,261, filed Feb. 7, 2017, applicant Fitbit, Inc.
 U.S. Appl. No. 29/596,216, filed Mar. 6, 2017, applicant Fitbit, Inc.
 U.S. Appl. No. 29/602,541, filed May, 1, 2017, applicant Fitbit, Inc.
 U.S. Appl. No. 29/656,638, filed Jul. 13, 2018, applicant Fitbit, Inc.
 U.S. Appl. No. 29/671,175, filed Nov. 24, 2018, applicant Fitbit, Inc.
 U.S. Appl. No. 29/671,143, filed Nov. 24, 2018, applicant Fitbit, Inc.
 U.S. Appl. No. 29/670,971, filed Nov. 24, 2018, applicant Fitbit, Inc.
 U.S. Appl. No. 29/671,146, filed Nov. 24, 2018, applicant Fitbit, Inc.
 U.S. Appl. No. 29/671,144, filed Nov. 24, 2018, applicant Fitbit, Inc.
 U.S. Appl. No. 29/669,190, filed Nov. 6, 2018, applicant Fitbit, Inc.
 U.S. Appl. No. 29/688,946, filed Apr. 25, 2019, applicant Fitbit, Inc.
 U.S. Appl. No. 29/690,658, filed May 9, 2019, applicant Fitbit, Inc.
 U.S. Appl. No. 29/701,730, filed Aug. 14, 2019, applicant Fitbit, Inc.
 U.S. Appl. No. 29/701,729, filed Aug. 14, 2019, applicant Fitbit, Inc.
 U.S. Appl. No. 29/692,719, filed May 28, 2019, applicant Fitbit, Inc.
 Fitbit Versa Lite Smartwatch and Activity Tracker, for sale at hsn.com (<https://www.hsn.com/products/fitbit-versa-smartwatch-and-activity-tracker-with-class/8688605>), May 31, 2019.

Fitbit Versa Smartwatch, for sale at kohls.com (<https://www.kohls.com/product/prd-3296179/fitbit-versa-smart-fitness-watch-non-nfc.jsp>), Apr. 17, 2018.

ACBEE Fitbit alta Band, Watch Buckle Design, for sale on amazon.com (https://www.amazon.com/ACBEE-Perfect-Replacement-Original-Band-Never/dp/B01G2IECXO/ref=as_li_ss_tl?ie=UTF8&linkCode=s11&tag=mbyte-20&linkId=d7045d83d76ae70cec2212,2019.55ad2f282088&linkCode=w61&imprToken=n-LMJ6kaAeLbRPMusOUq7A&slotNum=14). Website accessed Jun. 12, 2019.

Alfawise H19 RFID Sports Smartwatch Fitness Tracker—Black, for sale at gearbest.com (https://www.gearbest.com/smart-watches/pp_009207049039.html?wid=1433363). Website accessed Jun. 12, 2019.

Gold premium NATO Strap Le mans, for sale at cheapestnatostraps.com (<https://www.cheapestnatostraps.com/products/gold-premium-nato-strap-le-mans>). Website accessed Jun. 12, 2019.

Princeton University 18mm NATO Watch Strap with Silver Fittings (<https://www.smartturnout.com/university-watchstrap-princeton-university/>). Website accessed Jun. 12, 2019.

Silicone Rubber Waterproof Watch Strap Band FORTE Spring Bars 20mm 22mm 24mm _ eBay, available from eBay Australia (<https://www.ebay.com.au/itm/Silicone-Rubber-Waterproof-Watch-Strap-Band-FORTE-Spring-Bars-20mm-22mm-24mm-/272077865335>). Website accessed Jun. 12, 2019.

* cited by examiner

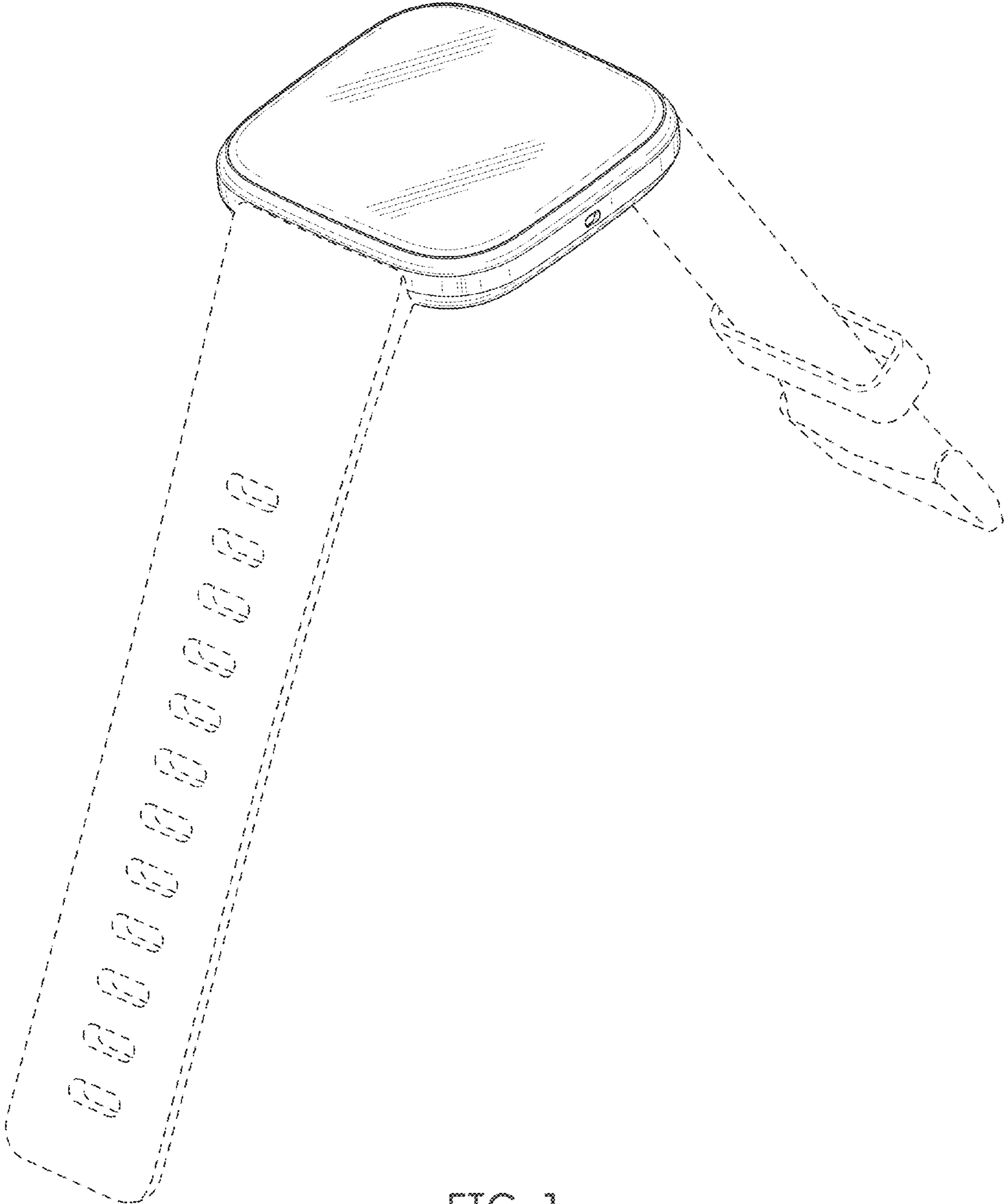


FIG. 1

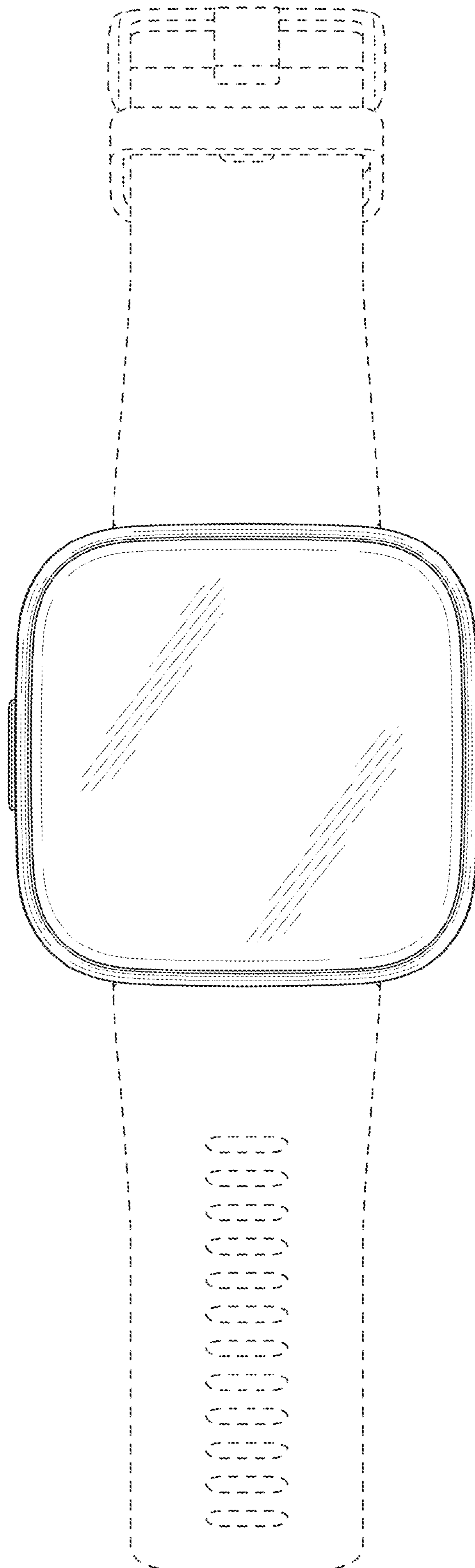


FIG. 2

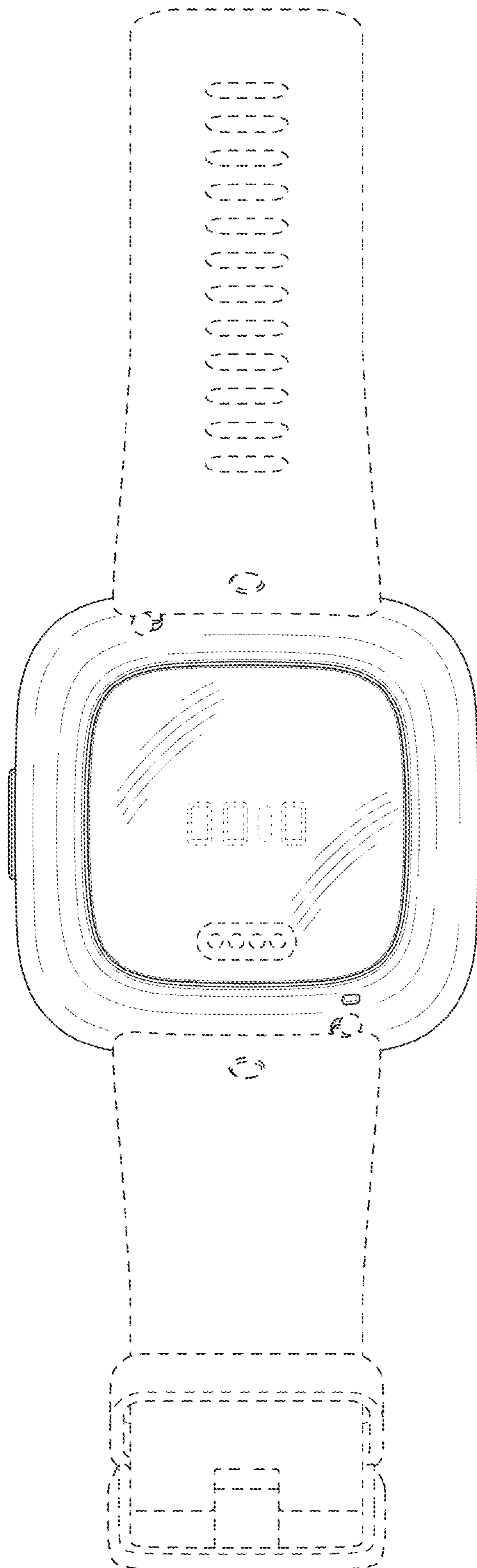


FIG. 3

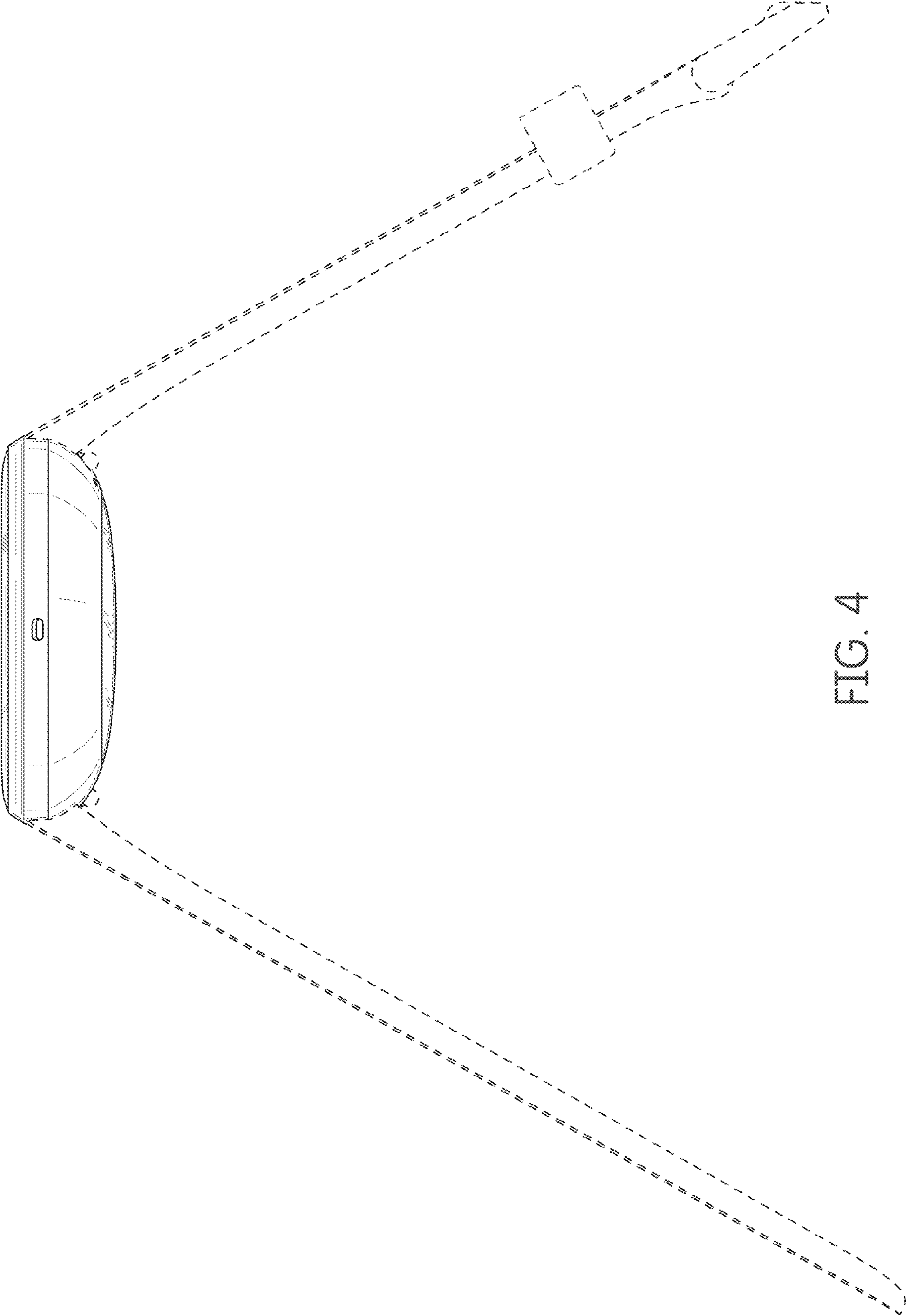


FIG. 4

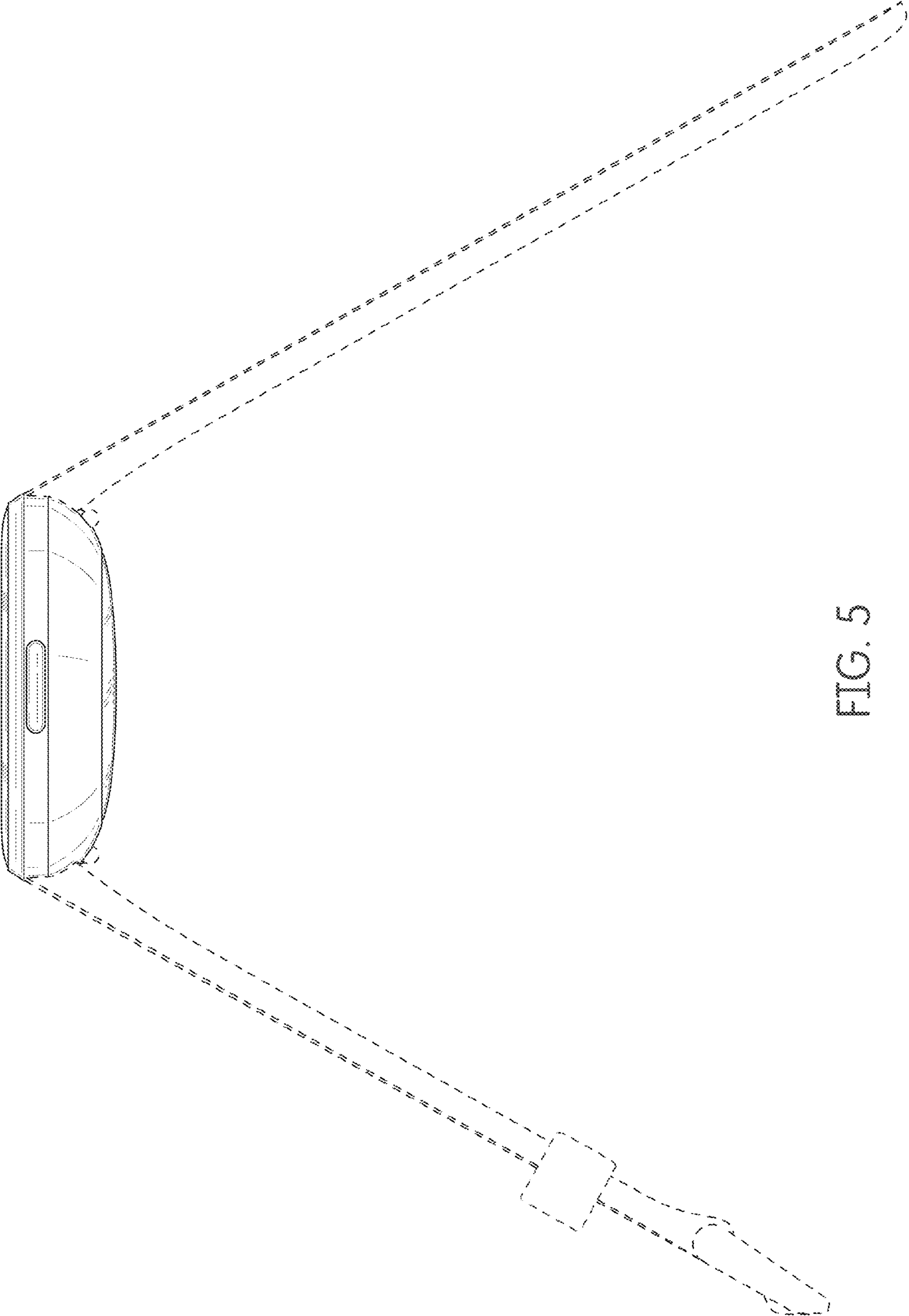


FIG. 5

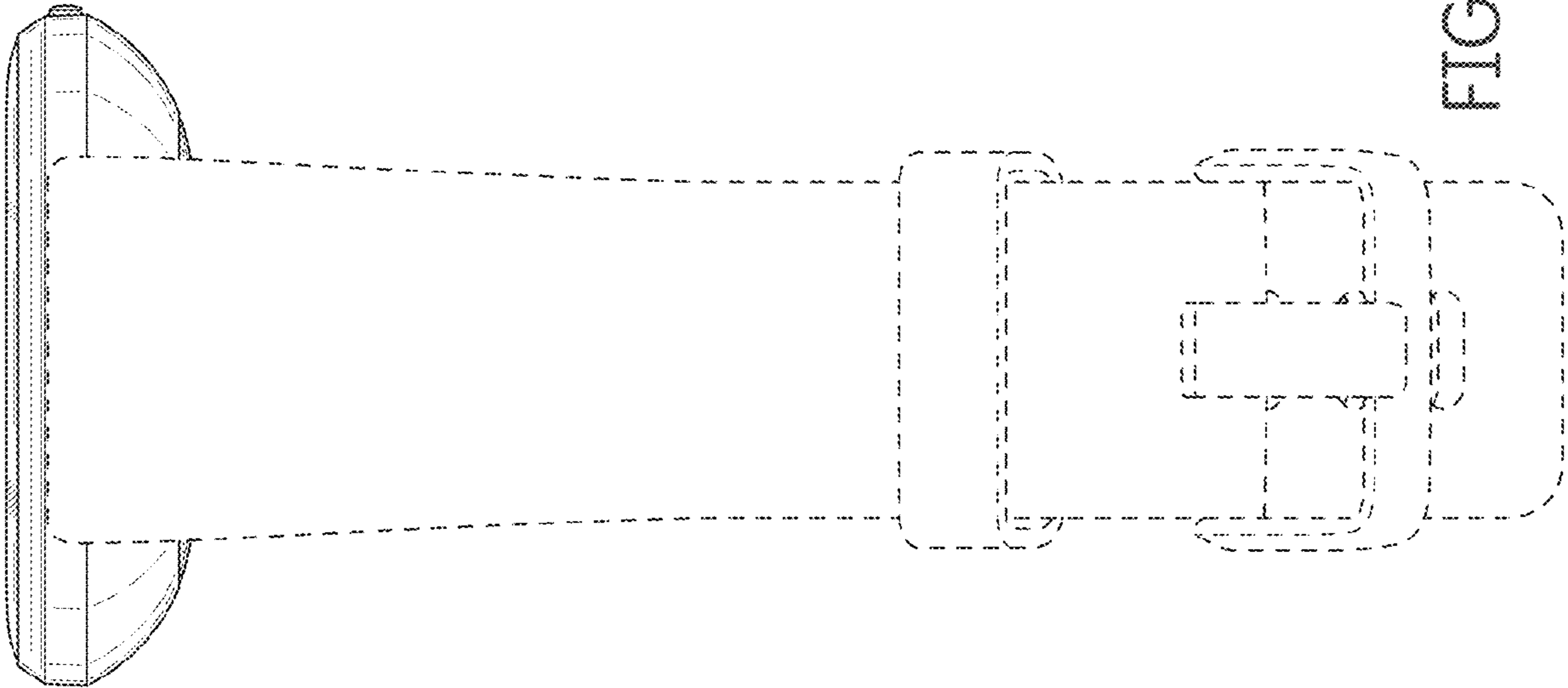


FIG. 7

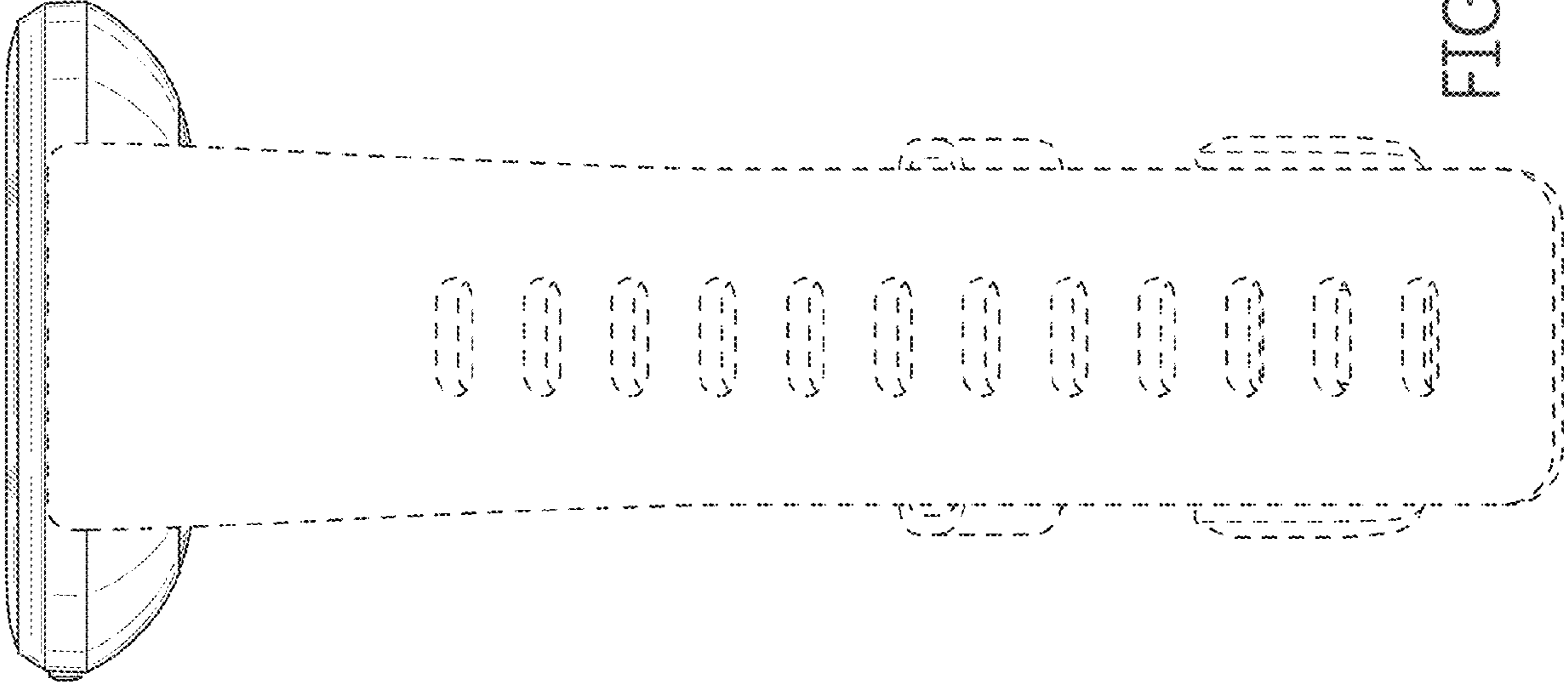


FIG. 6

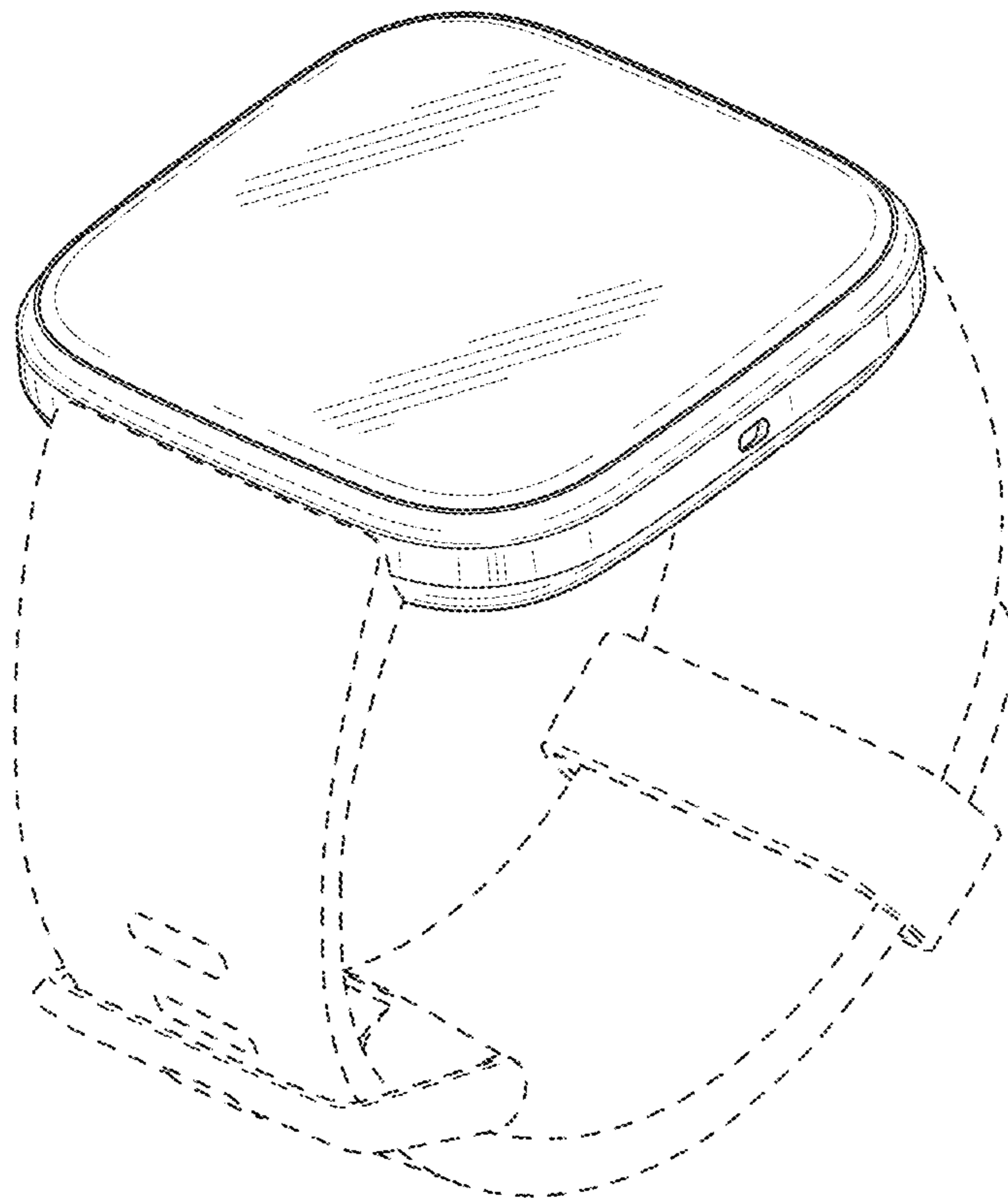


FIG. 8

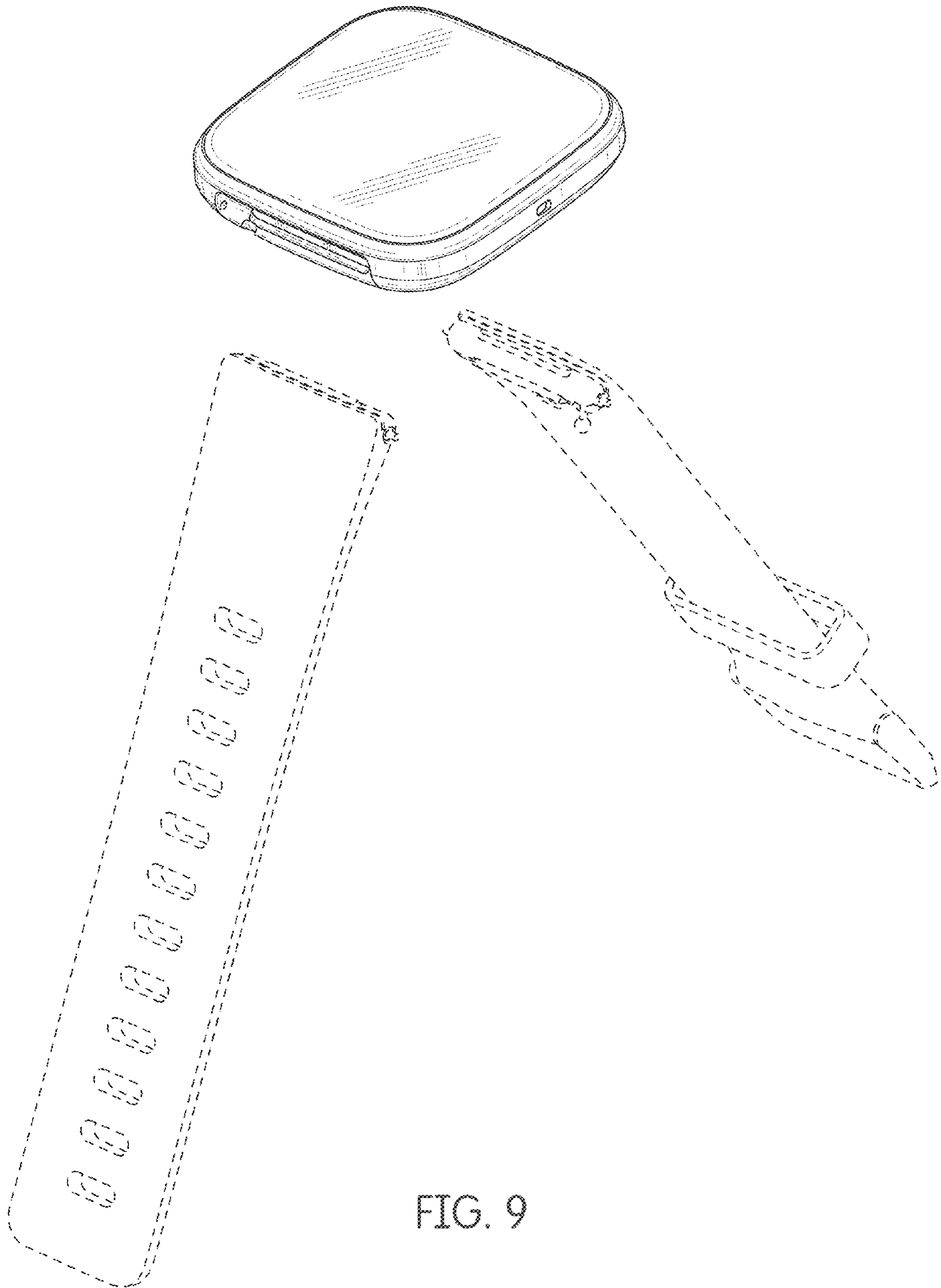


FIG. 9