



US00D910009S

(12) **United States Design Patent**
Wu et al.

(10) **Patent No.:** **US D910,009 S**

(45) **Date of Patent:** **** Feb. 9, 2021**

(54) **FLEXIBLE TABLET ELECTRONIC DEVICE**

(71) Applicant: **Quanta Computer Inc.**, Taoyuan (TW)

(72) Inventors: **Chien-Ming Wu**, Taoyuan (TW);
Gwo-Chyuan Chen, Taoyuan (TW);
Chi-Jen Yu, Taoyuan (TW)

(73) Assignee: **QUANTA COMPUTER INC.**,
Taoyuan (TW)

(**) Term: **15 Years**

(21) Appl. No.: **29/706,964**

(22) Filed: **Sep. 25, 2019**

(30) **Foreign Application Priority Data**

Jun. 10, 2019 (TW) 108303378

(51) **LOC (13) Cl.** **14-02**

(52) **U.S. Cl.**
USPC **D14/341**

(58) **Field of Classification Search**
USPC D14/341, 388-389, 371, 374, 138 R,
D14/138 AA, 138 G; D21/324, 329, 330;
D24/186

CPC .. G06F 1/1652; G06F 1/1616; H04M 1/0268;
H04M 1/0214; H05K 5/0226; G09G
2380/02; G09F 9/301; H01L 27/323;
H04N 21/4316

See application file for complete search history.

(56) **References Cited**

U.S. PATENT DOCUMENTS

D682,263 S * 5/2013 Kim D14/341
D699,240 S * 2/2014 Kim D14/341
D713,841 S * 9/2014 Lim D14/341
D760,219 S * 6/2016 Yamazaki D14/341
D761,254 S * 7/2016 Yamazaki D14/345
D768,624 S * 10/2016 Bae D14/345

D770,447 S * 11/2016 Endo D14/371
D789,925 S * 6/2017 Browning D14/341
D819,630 S * 6/2018 Prushinskiy D14/345
D833,431 S * 11/2018 Bae D14/345
D861,624 S * 10/2019 Ahn D14/126
D897,302 S * 9/2020 Lee D14/138 AB

(Continued)

OTHER PUBLICATIONS

Tri-fold smart device design, first available Mar. 6, 2020, hexus.net, [online], [site visited Oct. 16, 2020], Available from internet URL: <https://hexus.net/ce/news/mobile-phones/140465-tcl-unveils-tri-fold-smart-device-design-concept/> (Year: 2020).*

(Continued)

Primary Examiner — Samantha Q Lawrence

Assistant Examiner — Holly M Rodriguez

(74) *Attorney, Agent, or Firm* — McClure, Qualey & Rodack, LLP

(57) **CLAIM**

The ornamental design for a flexible tablet electronic device, as shown and described.

DESCRIPTION

FIG. 1 is a top, front and right perspective view of a flexible tablet electronic device, showing our new design;

FIG. 2 is a front view thereof;

FIG. 3 is a rear view thereof;

FIG. 4 is a right side view thereof;

FIG. 5 is a left side view thereof;

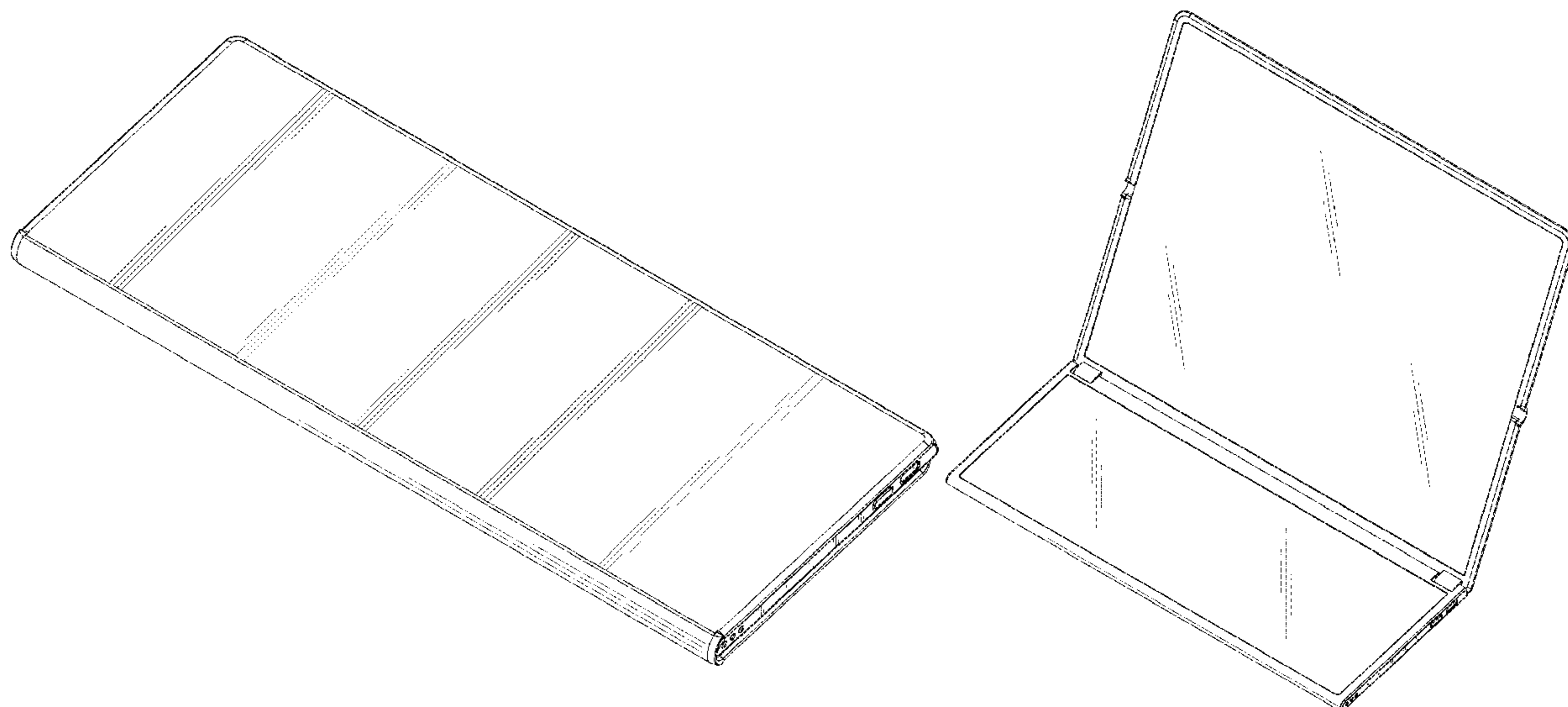
FIG. 6 is a top plan view thereof;

FIG. 7 is a bottom plan view thereof;

FIG. 8 is a top, front and right perspective view of the flexible tablet electronic device in an L-shaped opening state; and,

FIG. 9 is a top, front and right perspective view of the flexible tablet electronic device in an unfolded state.

1 Claim, 7 Drawing Sheets



(56)

References Cited

U.S. PATENT DOCUMENTS

D898,737 S * 10/2020 Chen D14/345
2014/0347806 A1 * 11/2014 Totani G06F 1/1624
361/679.27

OTHER PUBLICATIONS

Samsung Galaxy foldable phone with Z-Fold design, first available Aug. 18, 2019, letsgodigital.org [online], [site visited Oct. 16, 2020], Available from internet URL: <https://en.letsgodigital.org/smartphones/samsung-galaxy-foldable-phone/> (Year: 2019).*

Luxurious iPhone Z Concept Boasts Tri-Fold Design first available Apr. 18, 2019, techeblog.com, [online], [site visited Oct. 16, 2020], Available from internet URL: <https://www.techeblog.com/iphone-z-concept-folding-diamonds/> (Year: 2019).*

* cited by examiner



FIG. 1



FIG. 2

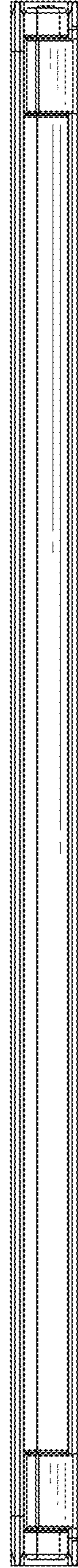


FIG. 3



FIG. 4

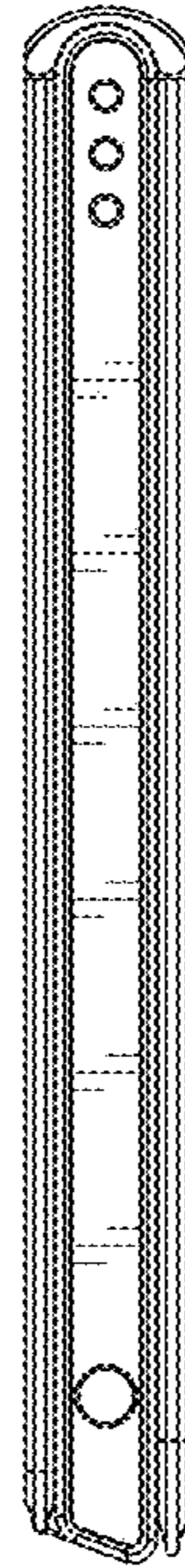


FIG. 5

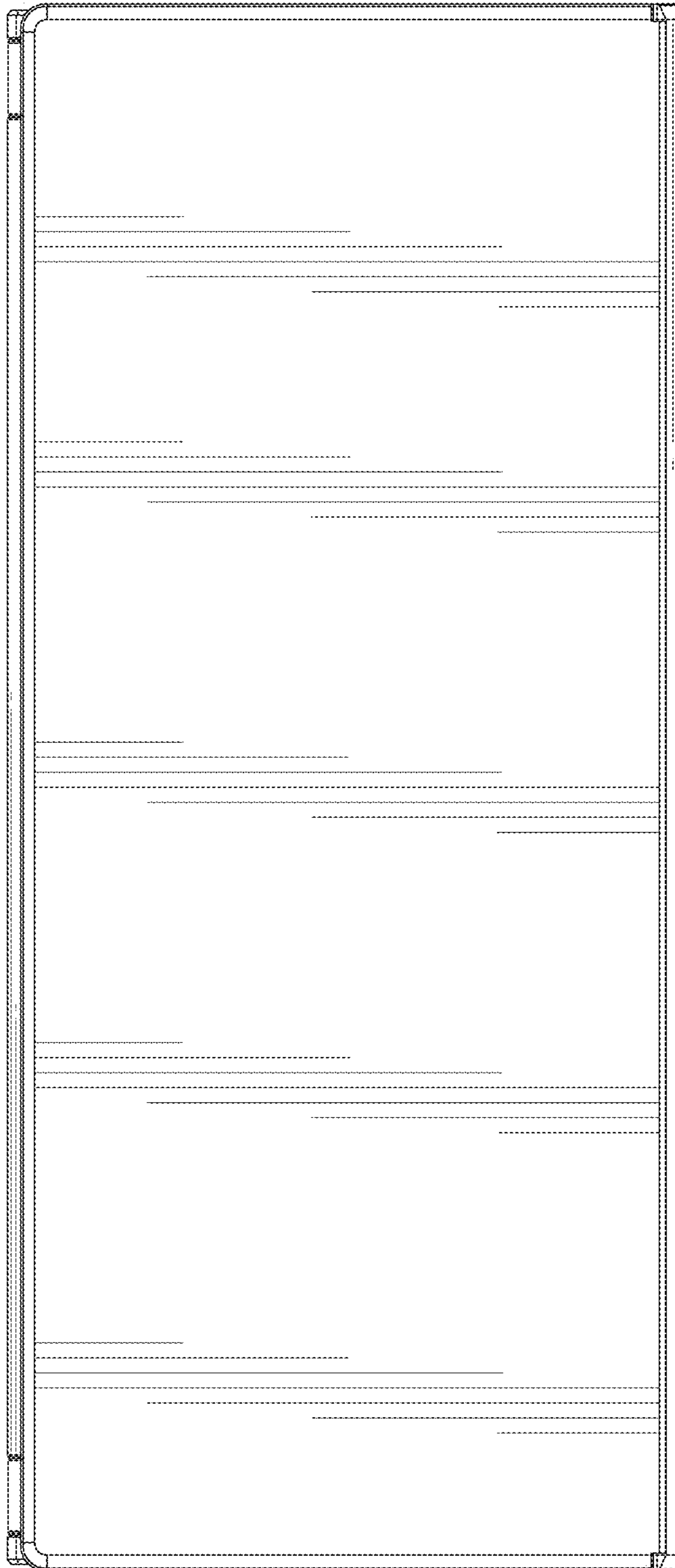


FIG. 6

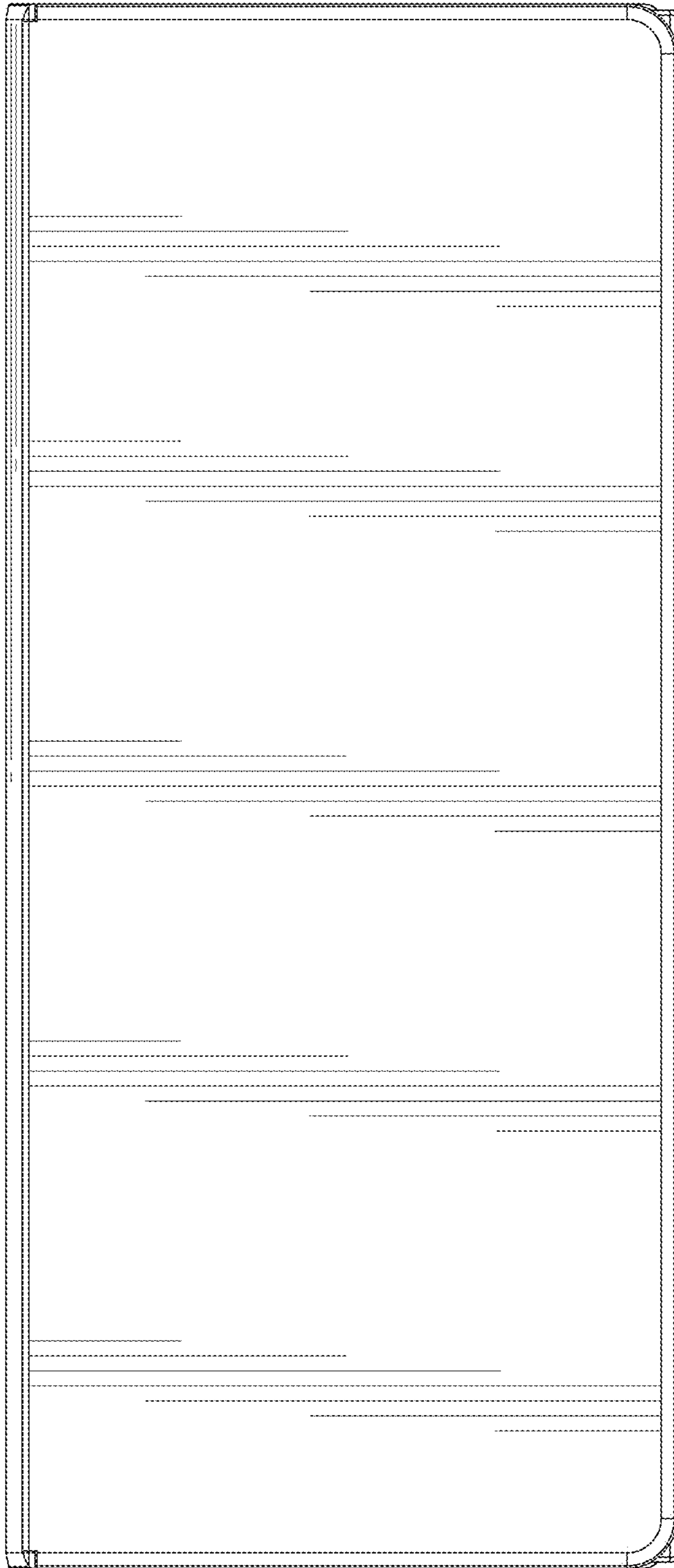


FIG. 7

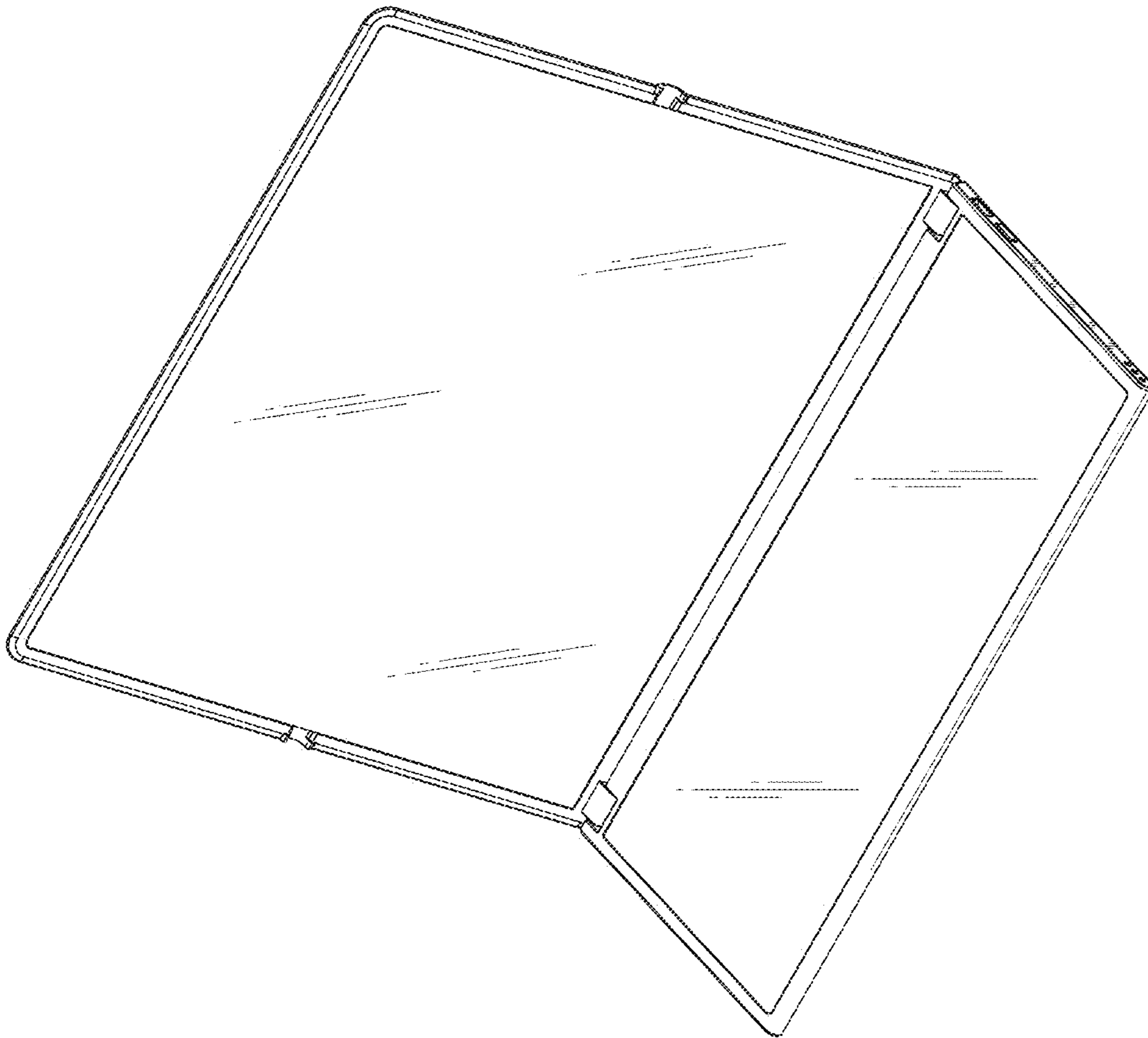


FIG. 8

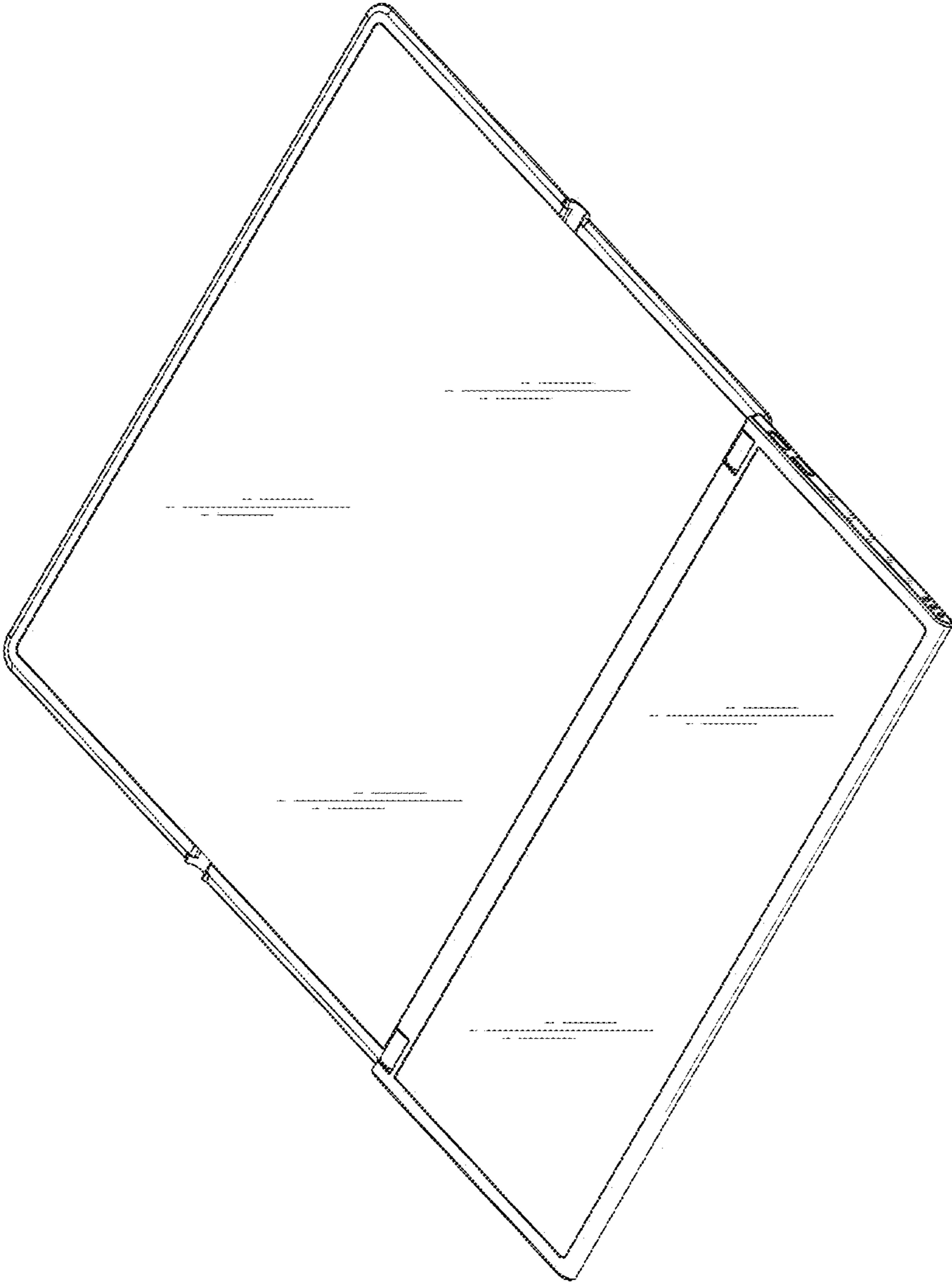


FIG. 9