



US00D910008S

(12) **United States Design Patent** (10) **Patent No.:** **US D910,008 S**  
**Shi et al.** (45) **Date of Patent:** **\*\* Feb. 9, 2021**

(54) **TABLET COMPUTER**

(71) Applicants: **Qing Shi**, Guangdong (CN); **Binjian Jiang**, Guangdong (CN); **Yuanguai Liu**, Guangdong (CN); **Qian Wang**, Guangdong (CN); **Jingzhou Zhong**, Guangdong (CN); **Zhiyu Zhang**, Guangdong (CN)

(72) Inventors: **Qing Shi**, Guangdong (CN); **Binjian Jiang**, Guangdong (CN); **Yuanguai Liu**, Guangdong (CN); **Qian Wang**, Guangdong (CN); **Jingzhou Zhong**, Guangdong (CN); **Zhiyu Zhang**, Guangdong (CN)

(73) Assignee: **Emdoor Information Co., Ltd.**, Shenzhen (CN)

(\*\*) Term: **15 Years**

(21) Appl. No.: **29/697,587**

(22) Filed: **Jul. 10, 2019**

(30) **Foreign Application Priority Data**

Mar. 26, 2019 (CN) ..... 2019 3 0128761

(51) **LOC (13) Cl.** ..... **14-02**

(52) **U.S. Cl.**  
USPC ..... **D14/341**

(58) **Field of Classification Search**  
USPC ..... D14/341, 388-389, 371, 374, 420, 426, D14/129-130, 315-318, 342-347, 496; D21/324, 329; D24/186; D10/104.4, 50, D10/65, 74  
CPC ..... G06F 1/16; G06F 1/1632; G06F 1/1616; G06F 1/1626; G06F 1/1613; G06F 2200/1633; G06F 3/0488; G06F 3/04886; G06F 3/044; G06F 3/0412; G06F 3/0416; H01M 10/44; F16M 11/10; F16M 11/02; H05K 7/1465; A45C 2011/002; A45C 2011/003; H04B 1/3888; H04M 1/185

See application file for complete search history.

(56) **References Cited**

U.S. PATENT DOCUMENTS

D638,834 S	*	5/2011	Wesolek	.....	D14/341
D672,767 S	*	12/2012	Yoneya	.....	D14/341
D691,131 S	*	10/2013	Brown	.....	D14/341
D694,751 S	*	12/2013	Ju	.....	D14/341
D719,151 S	*	12/2014	Hirayama	.....	D14/341
D745,003 S	*	12/2015	Carpenter	.....	D14/341
D746,278 S	*	12/2015	Chen	.....	D14/341
D767,564 S	*	9/2016	Li	.....	D14/341
D783,604 S	*	4/2017	Wesolek	.....	D14/341

(Continued)

OTHER PUBLICATIONS

Vanquisher 8-Inch, first available Jul. 27, 2016, amazon.com, [online], [site visited Oct. 21, 2020], Available from internet URL: [https://www.amazon.com/Vanquisher-Industrial-Survival-Enterprise-Mobility/dp/B01J67BJHK/ref=p\\_sbs\\_147\\_2/133-3402821-7587000?\\_encoding=UTF8&pd\\_rd\\_i=B01J67BJHK&pd\\_rd\\_r=02d](https://www.amazon.com/Vanquisher-Industrial-Survival-Enterprise-Mobility/dp/B01J67BJHK/ref=p_sbs_147_2/133-3402821-7587000?_encoding=UTF8&pd_rd_i=B01J67BJHK&pd_rd_r=02d) (Year: 2016).\*

*Primary Examiner* — Samantha Q Lawrence

*Assistant Examiner* — Holly M Rodriguez

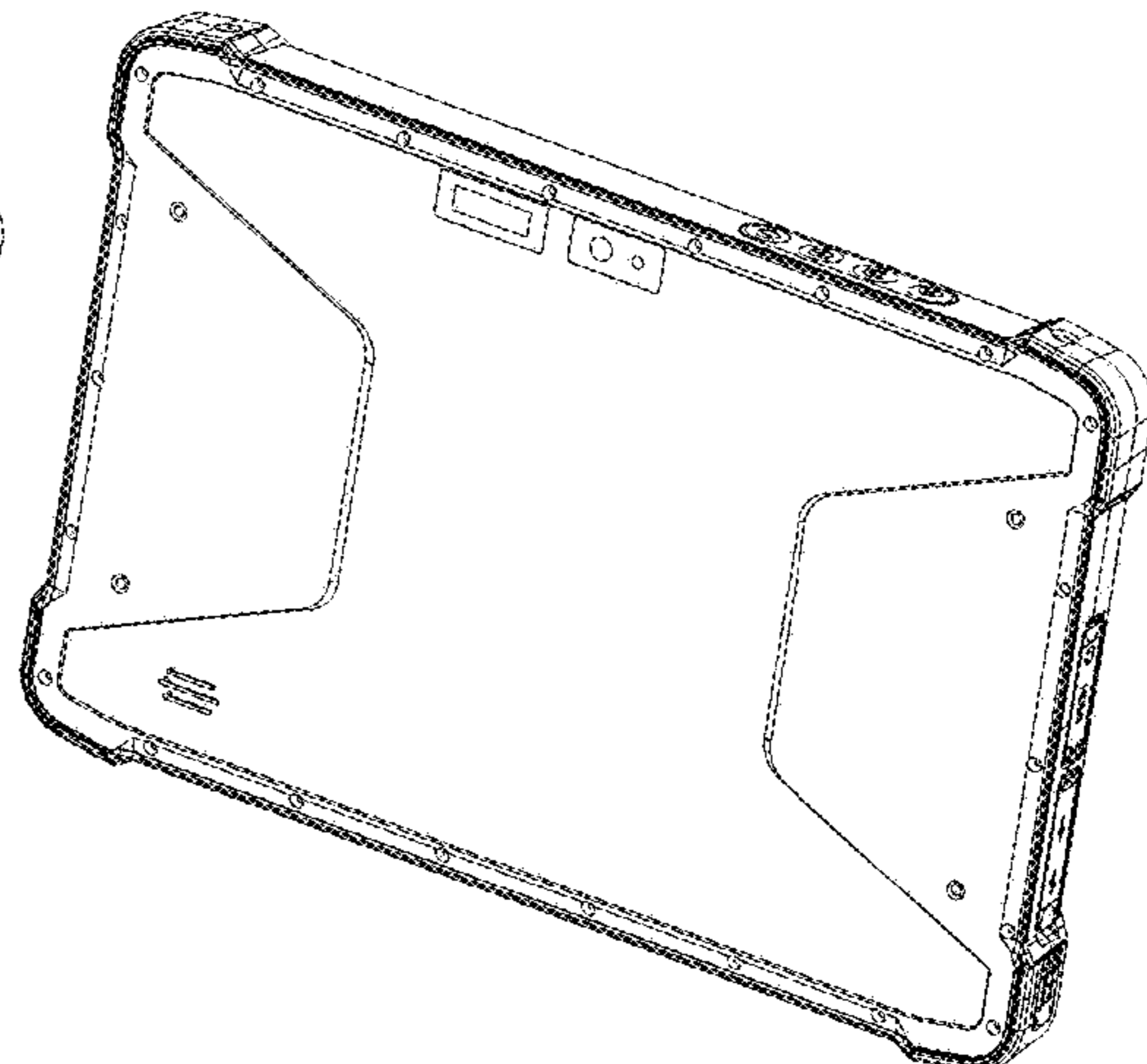
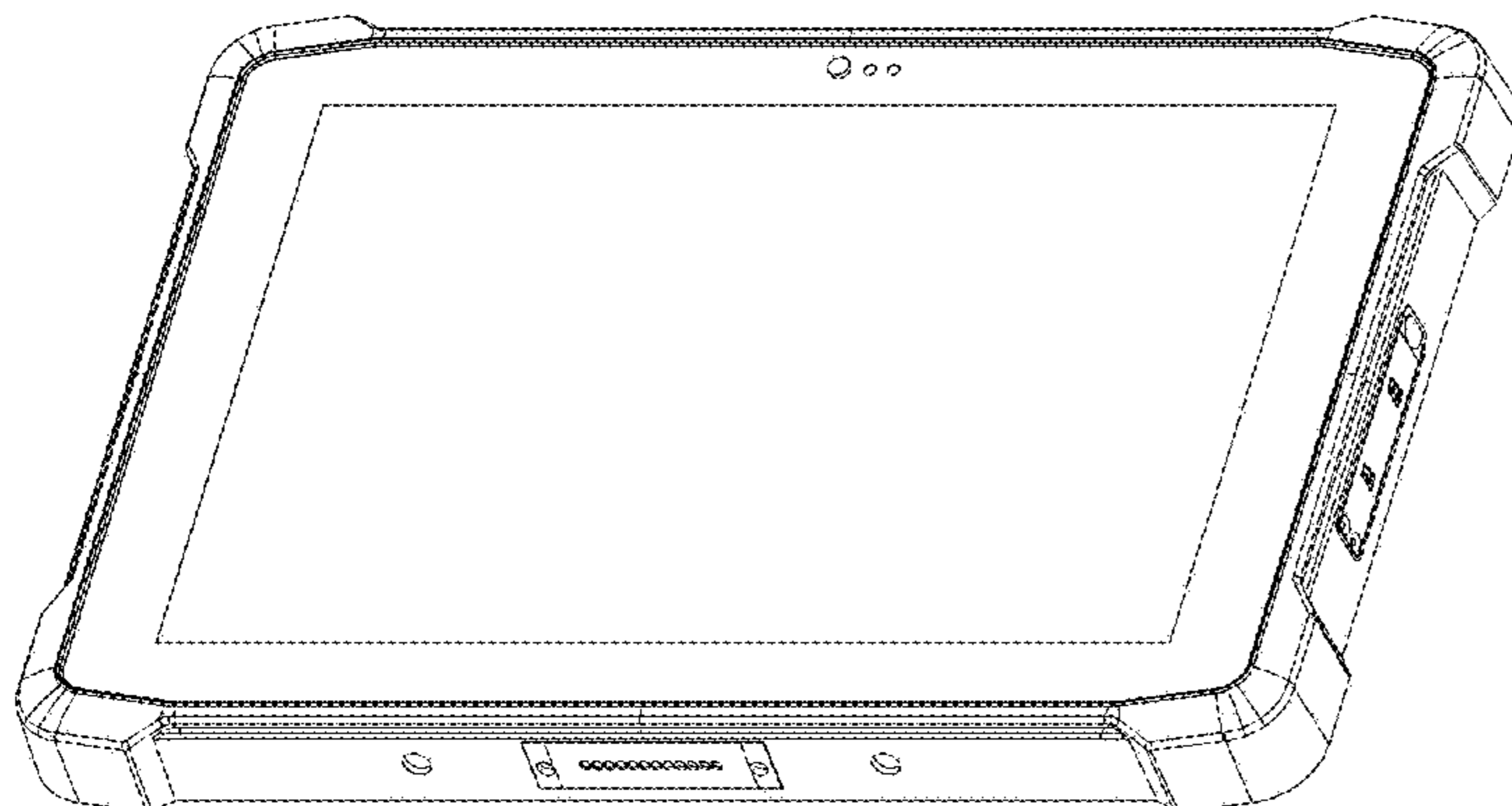
(57) **CLAIM**

The ornamental design for a tablet computer, as shown and described.

**DESCRIPTION**

FIG. 1 is a perspective view of a tablet computer showing my new design;  
FIG. 2 is another perspective view thereof;  
FIG. 3 is a front elevational view thereof;  
FIG. 4 is a rear elevational view thereof;  
FIG. 5 is a left side view thereof;  
FIG. 6 is a right side view thereof;  
FIG. 7 is a top plan view thereof; and,  
FIG. 8 is a bottom plan view thereof.

**1 Claim, 6 Drawing Sheets**



(56)

**References Cited**

U.S. PATENT DOCUMENTS

D785,618	S	*	5/2017	Schwibner	.....	D14/341
D808,918	S	*	1/2018	Wei	.....	D14/138 G
D818,466	S	*	5/2018	Chang	.....	D14/341
D826,228	S	*	8/2018	Feng	.....	D14/374
D826,931	S	*	8/2018	Chang	.....	D14/341
2012/0099261	A1	*	4/2012	Reber	.....	G06F 1/182 361/679.3
2017/0346523	A1	*	11/2017	Nyholm	.....	A45C 11/00

\* cited by examiner

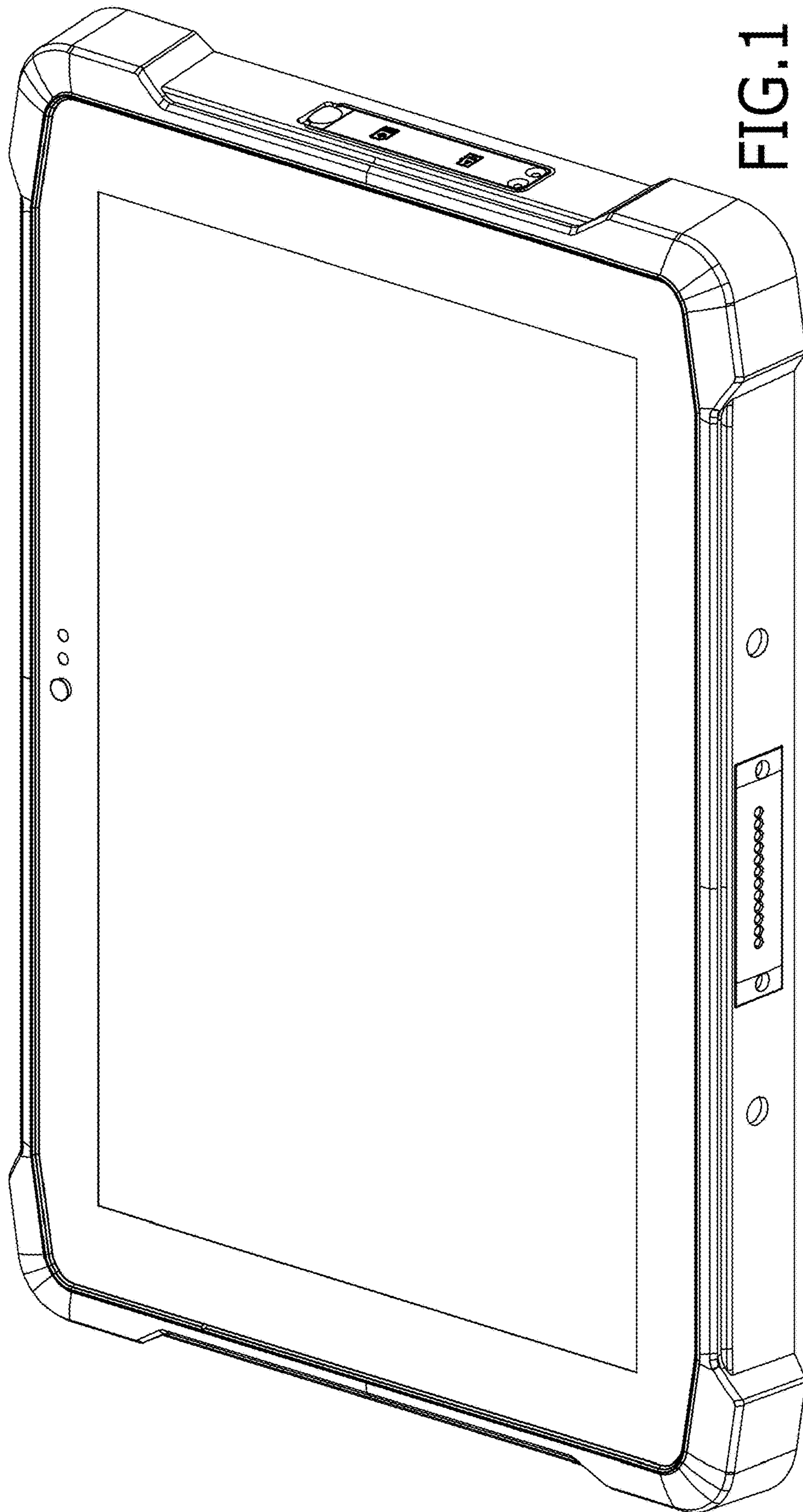


FIG. 1

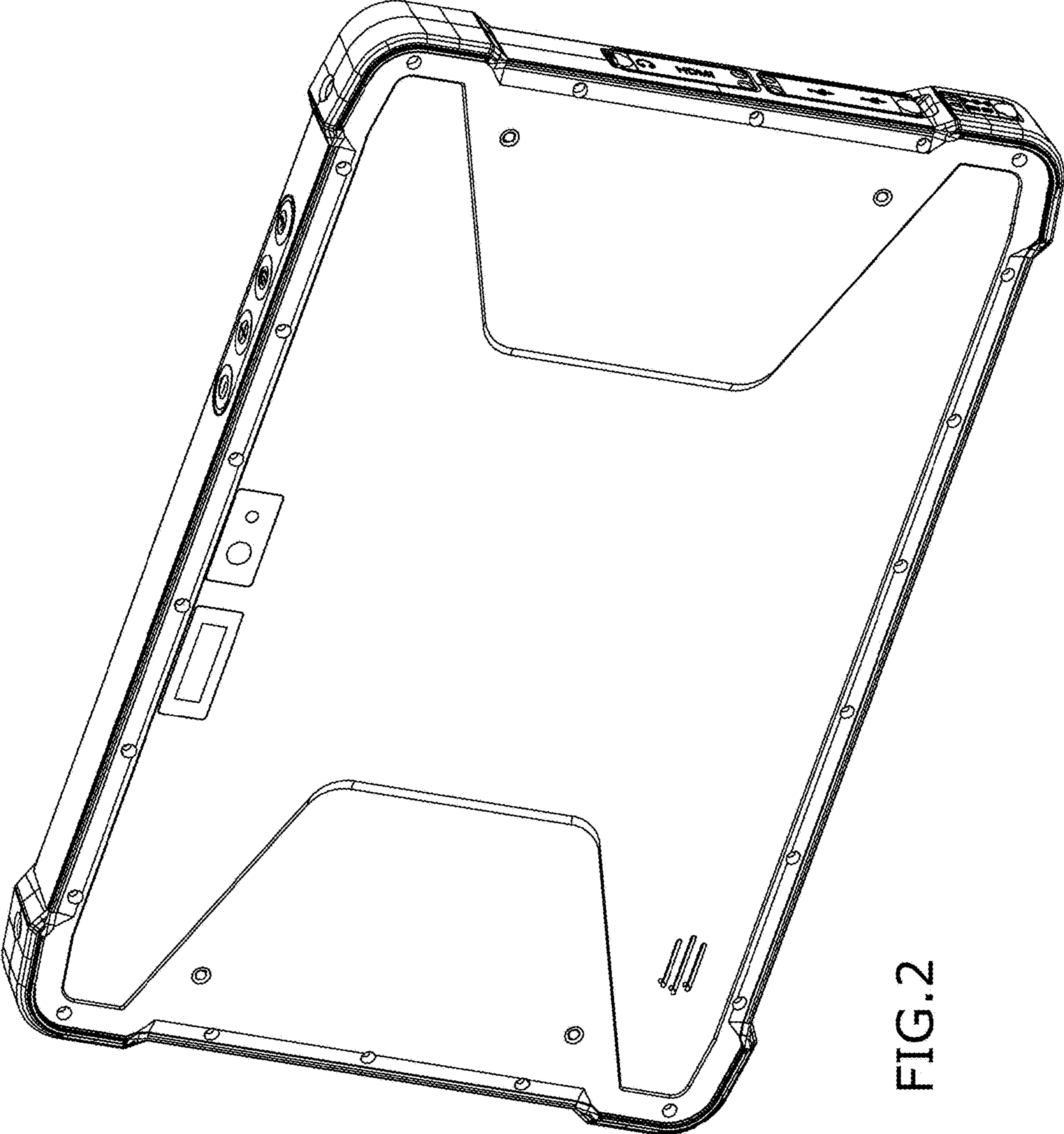


FIG.2

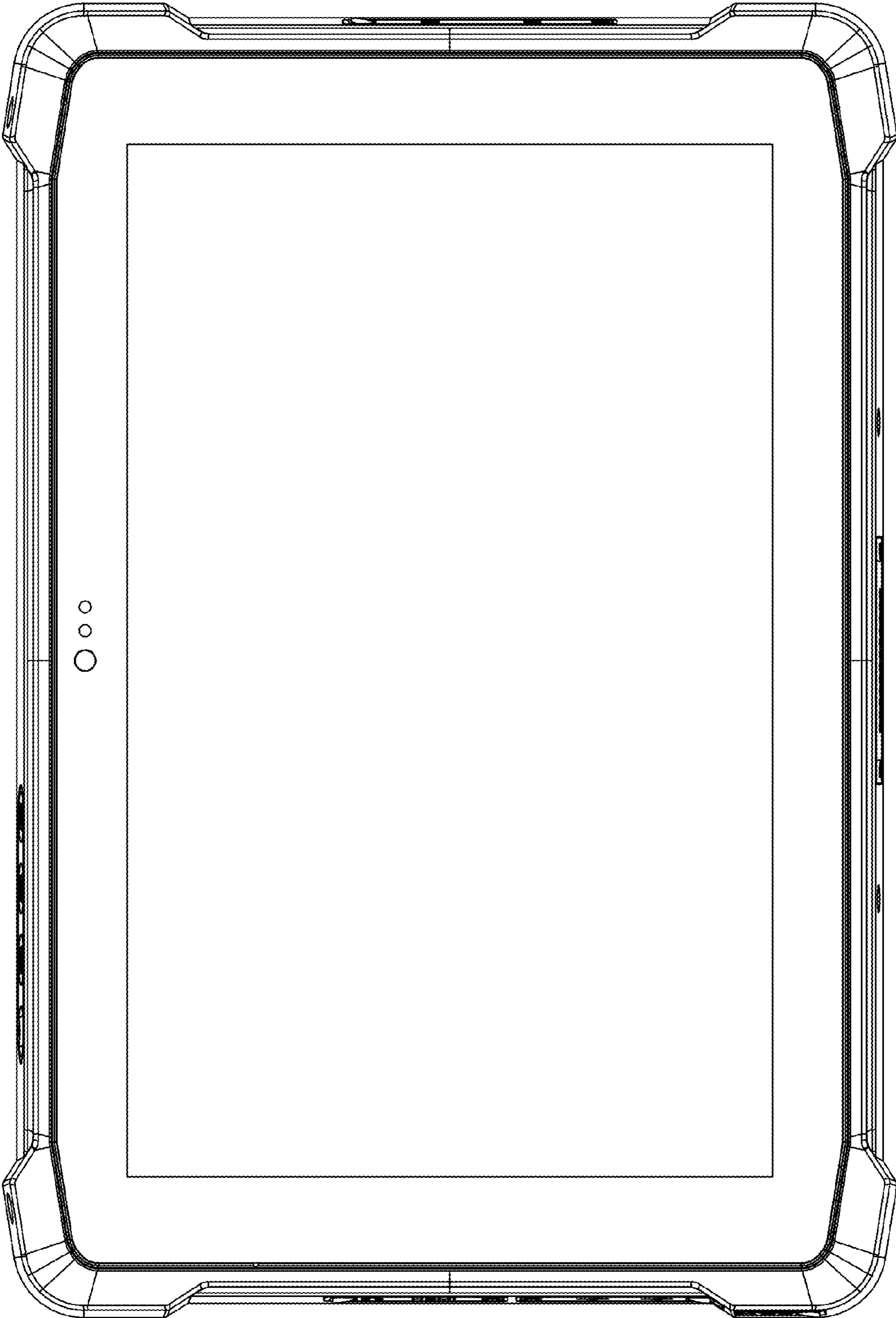


FIG.3

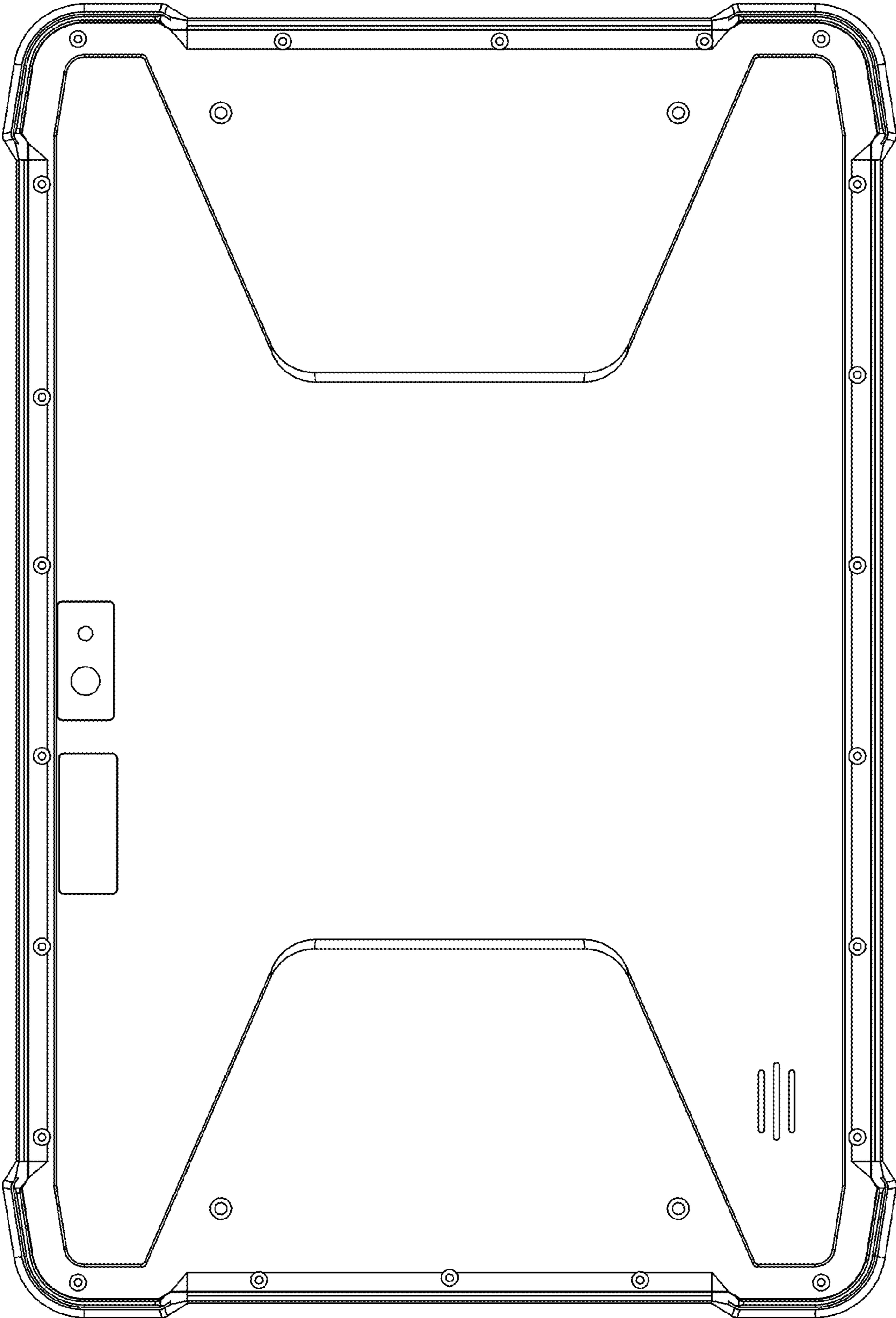


FIG.4

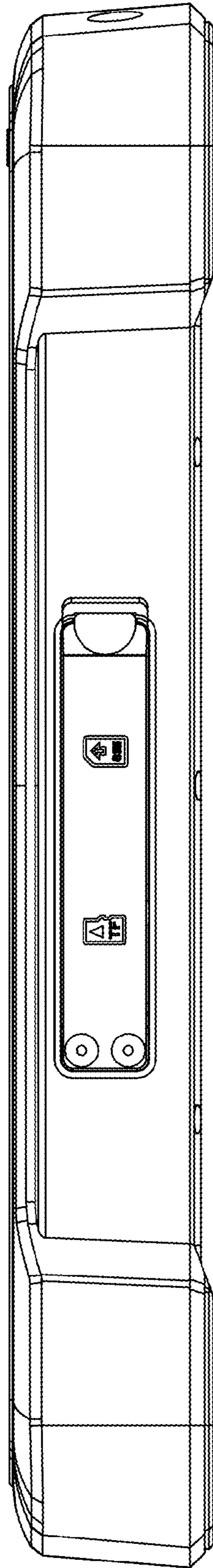


FIG. 5

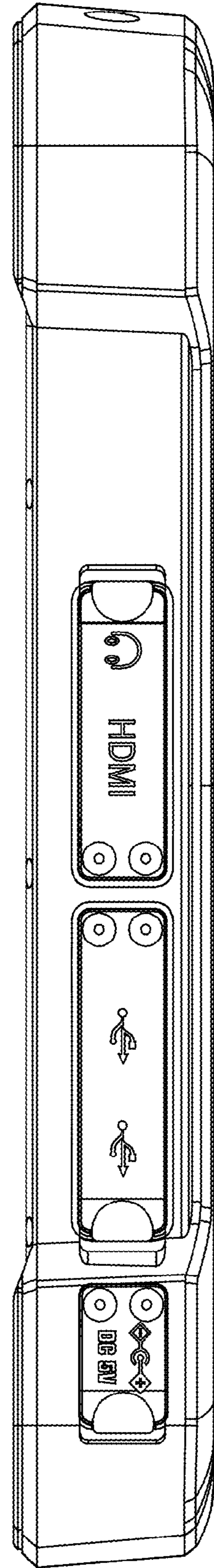


FIG. 6

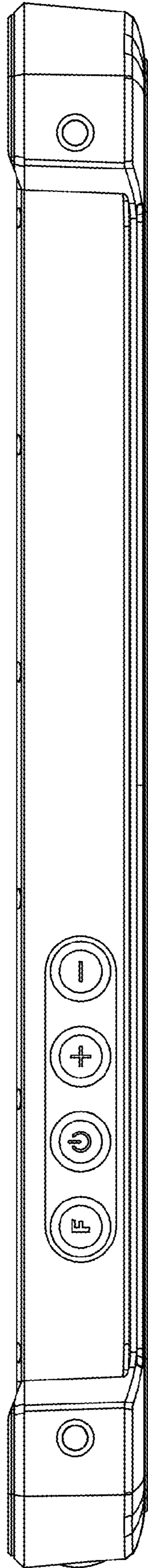


FIG. 7

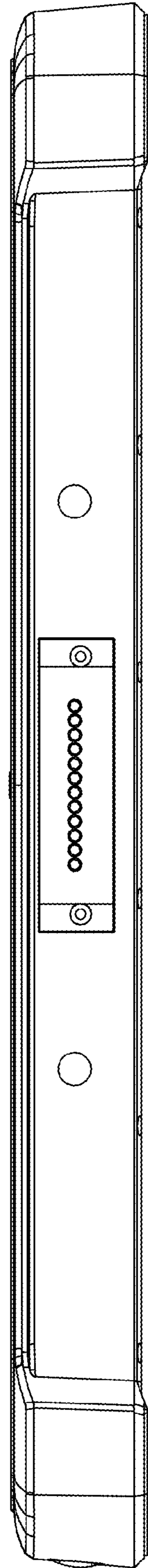


FIG. 8