



US00D910007S

(12) **United States Design Patent** (10) **Patent No.:** **US D910,007 S**  
**Zhong** (45) **Date of Patent:** **\*\* Feb. 9, 2021**

(54) **PORTABLE ELECTRONIC DEVICE**

FOREIGN PATENT DOCUMENTS

(71) Applicant: **Getac Technology Corporation,**  
Hsinchu County (TW)

CN 201630346843 \* 3/2017  
CN 201730296150 \* 12/2017

(Continued)

(72) Inventor: **Shi-Liang Zhong,** Taipei (TW)

OTHER PUBLICATIONS

(73) Assignee: **GETAC TECHNOLOGY CORPORATION,** Hsinchu County (TW)

U.S. Appl. No. 29/611,917, filed Aug. 2018, Chang Chia-Wei.\*  
Dell Latitude 12 Rugged Tablet, Feb. 12, 2016 [online], [retrieved Oct. 17, 2020], Retrieved from Internet, URL: <https://au.pcmag.com/first-looks-1/41971/dell-latitude-12-rugged-tablet-7202> (Year: 2016).\*

(Continued)

(\*\*) Term: **15 Years**

(21) Appl. No.: **29/686,049**

*Primary Examiner* — Barbara Fox

(22) Filed: **Apr. 2, 2019**

*Assistant Examiner* — Aram Kwon

(51) **LOC (13) Cl.** ..... **14-02**

(74) *Attorney, Agent, or Firm* — Locke Lord LLP; Tim Tingkang Xia, Esq.

(52) **U.S. Cl.**

USPC ..... **D14/341**; D14/203.1; D14/203.3

(58) **Field of Classification Search**

USPC ..... D14/125, 126, 127–137, 138 AA, D14/138 AB, 138 AC, 138 AD, 138 C, D14/138 G, 138 R, 147, 203.3–203.8, D14/218, 239, 240, 247, 248, 315–318, D14/341–347, 371, 374, 388–389, 420, D14/426, 496

CPC .... G06F 1/1613; G06F 1/1626; G06F 3/0488; G06F 3/04886; H04M 1/725; H04M 1/0202; H04M 1/0266

See application file for complete search history.

(57) **CLAIM**

The ornamental design for a “portable electronic device”, as shown and described.

**DESCRIPTION**

FIG. 1 is a top, front and left side perspective view of a portable electronic device showing my new design;  
FIG. 2 is a bottom, front and left side perspective view thereof;  
FIG. 3 is a bottom, front and right side perspective view thereof;  
FIG. 4 is a bottom, rear and left side perspective view thereof;  
FIG. 5 is a bottom, rear and right side perspective view thereof;  
FIG. 6 is a front view thereof;  
FIG. 7 is a rear view thereof;  
FIG. 8 is a left side view thereof;  
FIG. 9 is a right side view thereof;  
FIG. 10 is a top view thereof; and,  
FIG. 11 is a bottom view thereof.

The dashed broken lines depict portions of the portable electronic device that form no part of the claimed design.

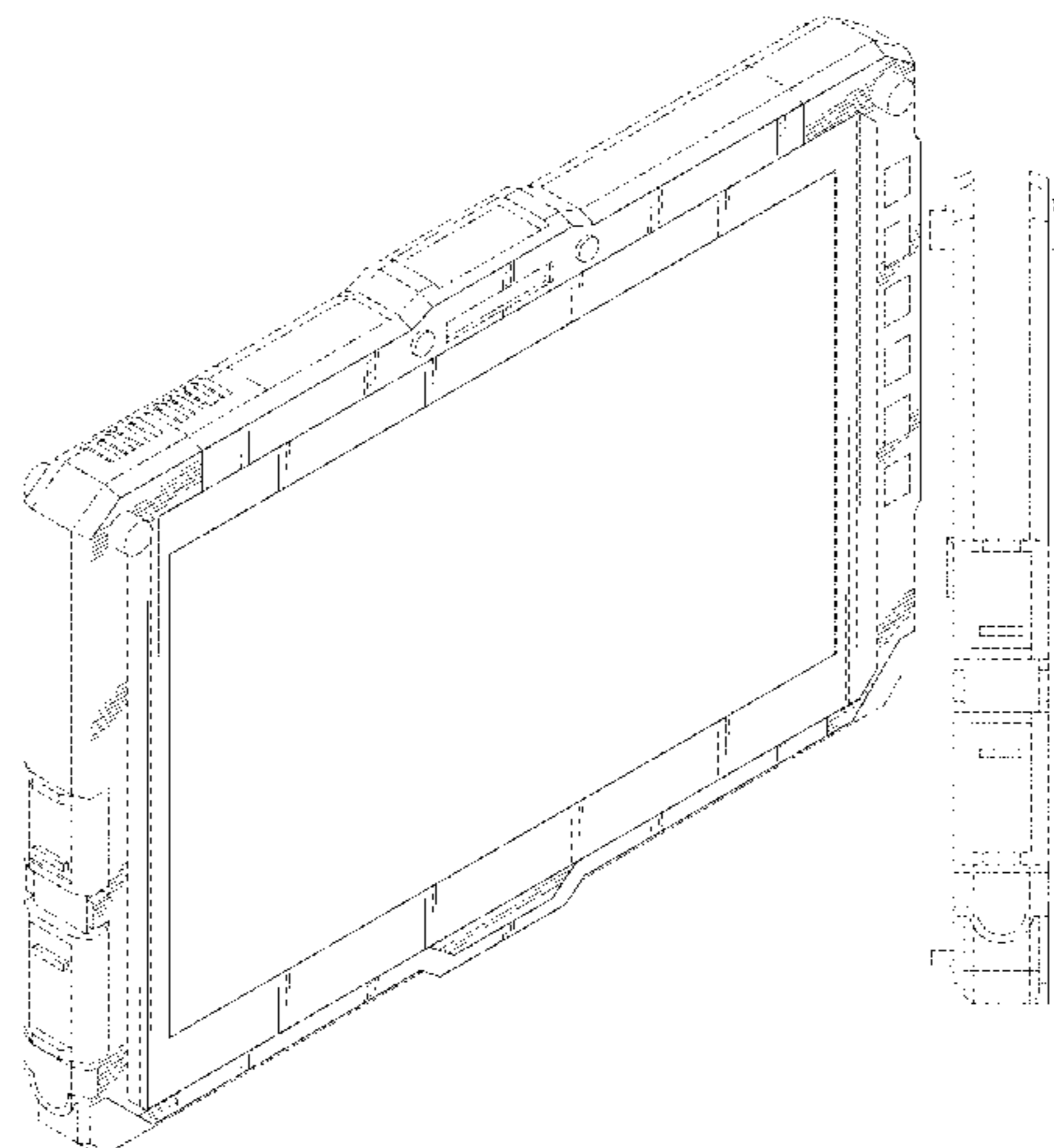
(56) **References Cited**

U.S. PATENT DOCUMENTS

D672,767 S \* 12/2012 Yoneya ..... D14/341  
8,373,980 B2 \* 2/2013 Reber ..... G06F 1/1632  
361/679.3  
D695,742 S \* 12/2013 Yang ..... D14/432  
D723,028 S \* 2/2015 Leonard ..... D14/316  
D785,618 S \* 5/2017 Schwibner ..... D14/341  
D807,335 S \* 1/2018 Kitade ..... D14/248  
D822,016 S \* 7/2018 Zhong ..... D14/341

(Continued)

**1 Claim, 11 Drawing Sheets**



(56)

**References Cited**

U.S. PATENT DOCUMENTS

D825,554 S \* 8/2018 Nagai ..... D14/315  
D826,931 S \* 8/2018 Chang ..... D14/341  
D888,050 S \* 6/2020 Tosh ..... D14/328  
2012/0075801 A1\* 3/2012 Yang ..... G06F 1/1656  
361/679.59  
2013/0194189 A1\* 8/2013 Lee ..... G06F 1/1626  
345/169  
2020/0318781 A1\* 10/2020 Zhong ..... G06F 1/1656

FOREIGN PATENT DOCUMENTS

CN 201930514314.7 \* 4/2020  
EM 004118057-0001 \* 8/2017  
EM 0005380011-0001 \* 7/2018  
EM 006318309-0001 \* 4/2019

OTHER PUBLICATIONS

New Getac UX10 Tablet, Jul. 10, 2019 [online], [retrieved Oct. 17, 2020], Retrieved from Internet, URL: <<https://www.fieldservicenews.com/blog/new-getac-ux10-tablet-delivers-powerful-portability-and-rugged-reliability-to-mobile-workforces-in-all-conditions>> (Year: 2019).\*

Getac UX10, Apr. 2020 [online], [retrieved Oct. 17, 2020], Retrieved from Internet, URL: <[https://www.ruggedperview.com/3\\_slates\\_getac\\_ux10\\_full.html](https://www.ruggedperview.com/3_slates_getac_ux10_full.html)> (Year: 2020).\*

The Army just bought 10,000 rugged Windows 10tablets, Mar. 22, 2017 [online], [retrieved Oct. 17, 2020], Retrieved from Internet, URL: <<https://www.theverge.com/circuitbreaker/2017/3/22/15021306/army-getac-f110-tablet-rugged-windows-10>> (Year: 2017).\*

\* cited by examiner

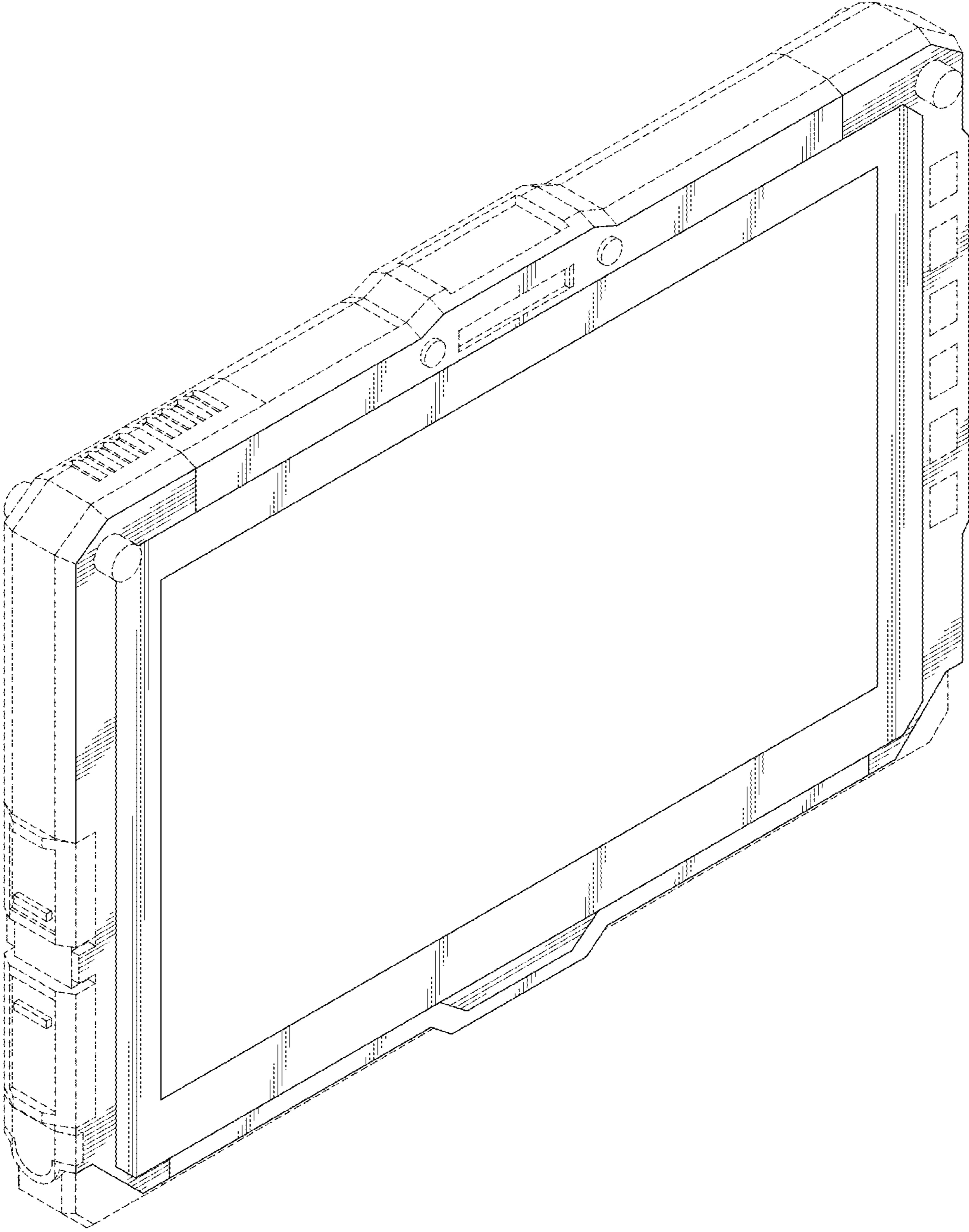


FIG. 1

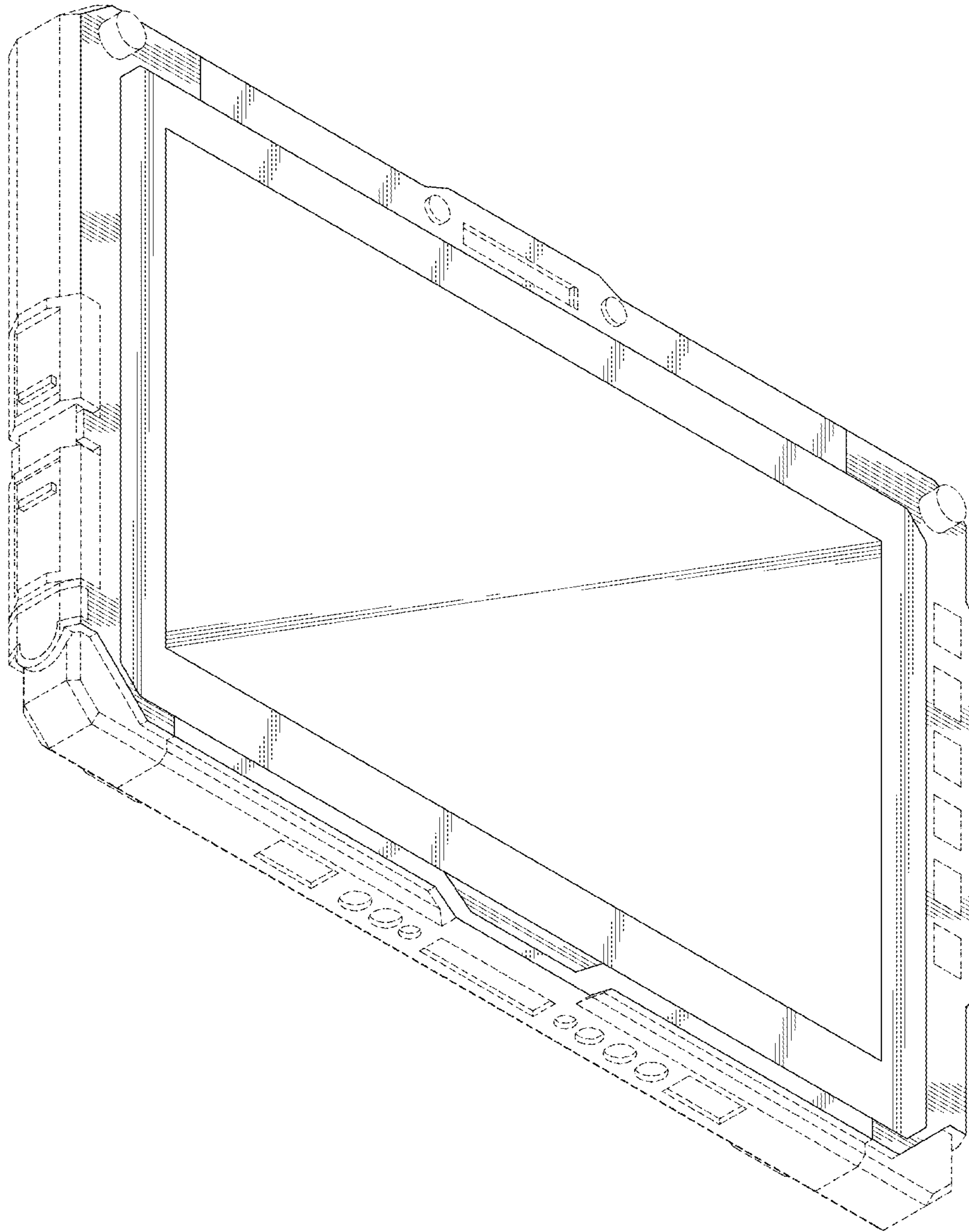


FIG. 2

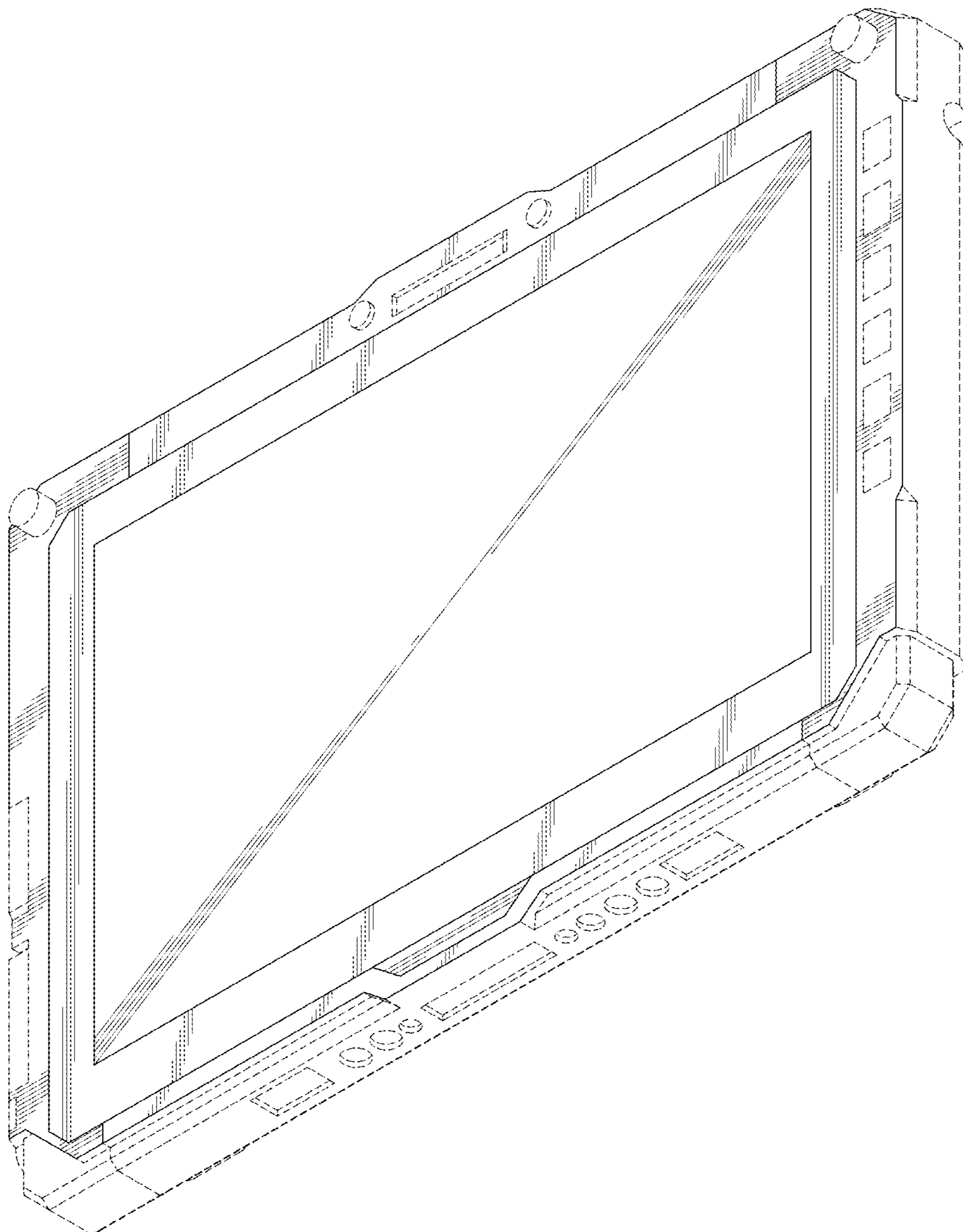


FIG. 3

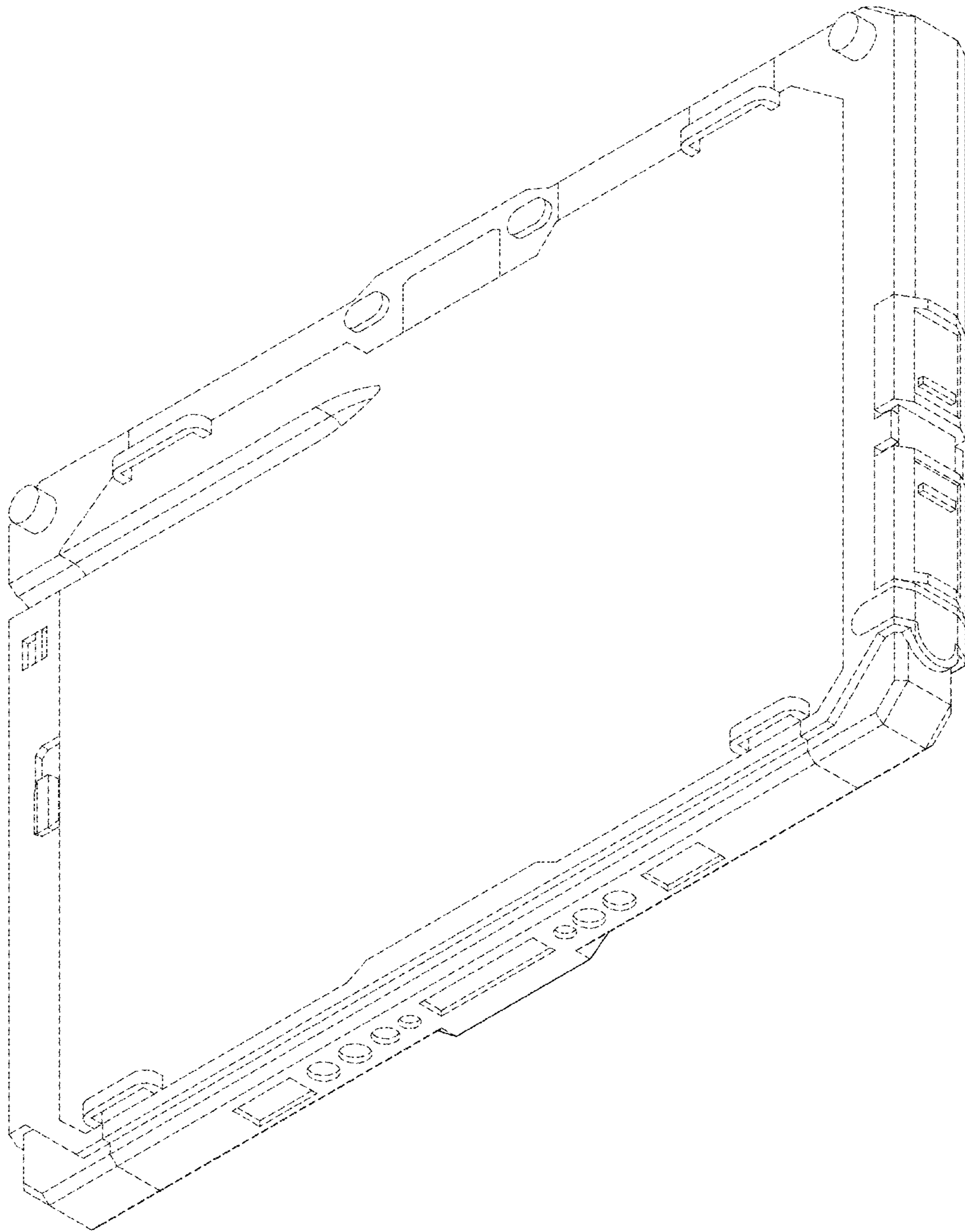


FIG. 4

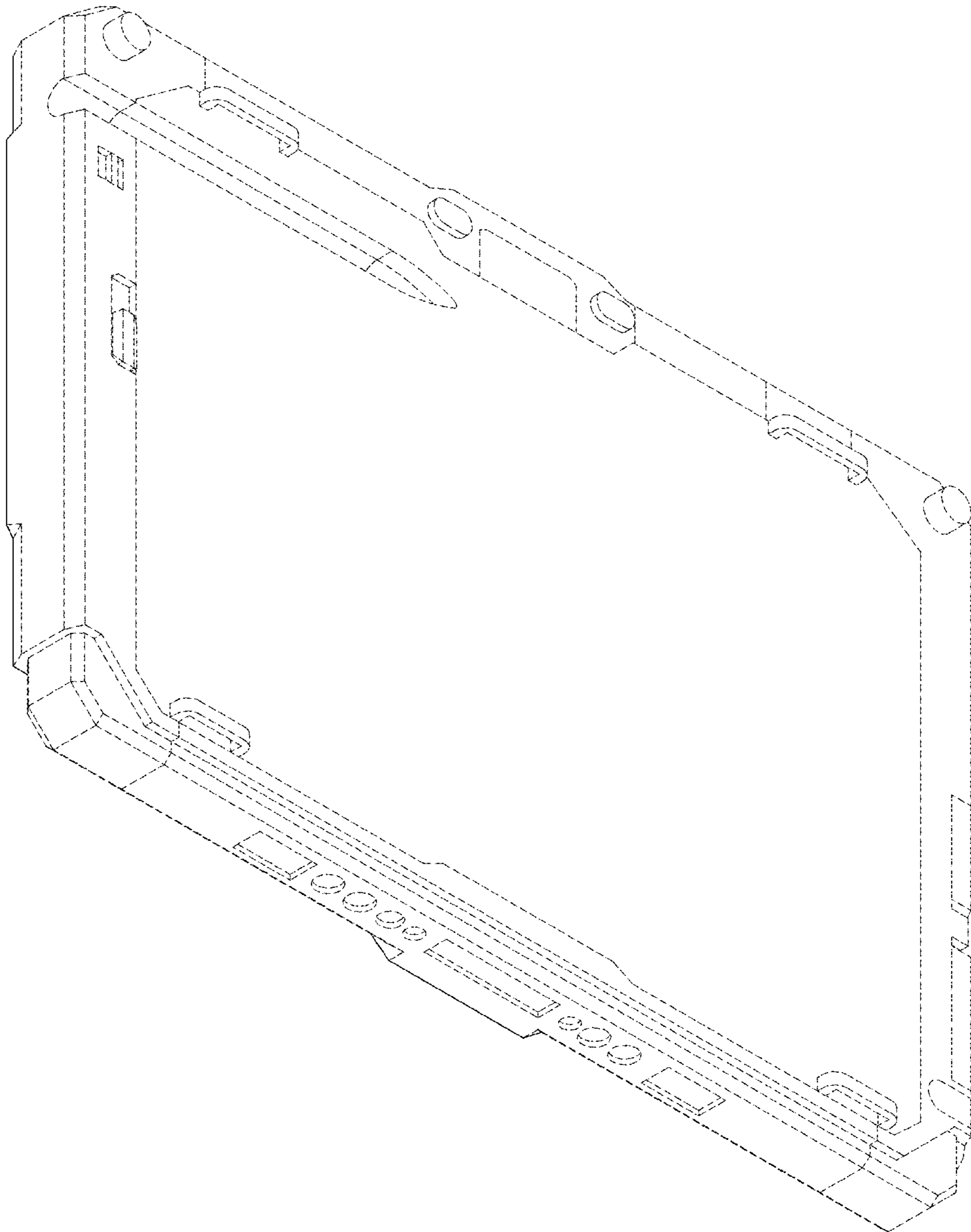


FIG. 5

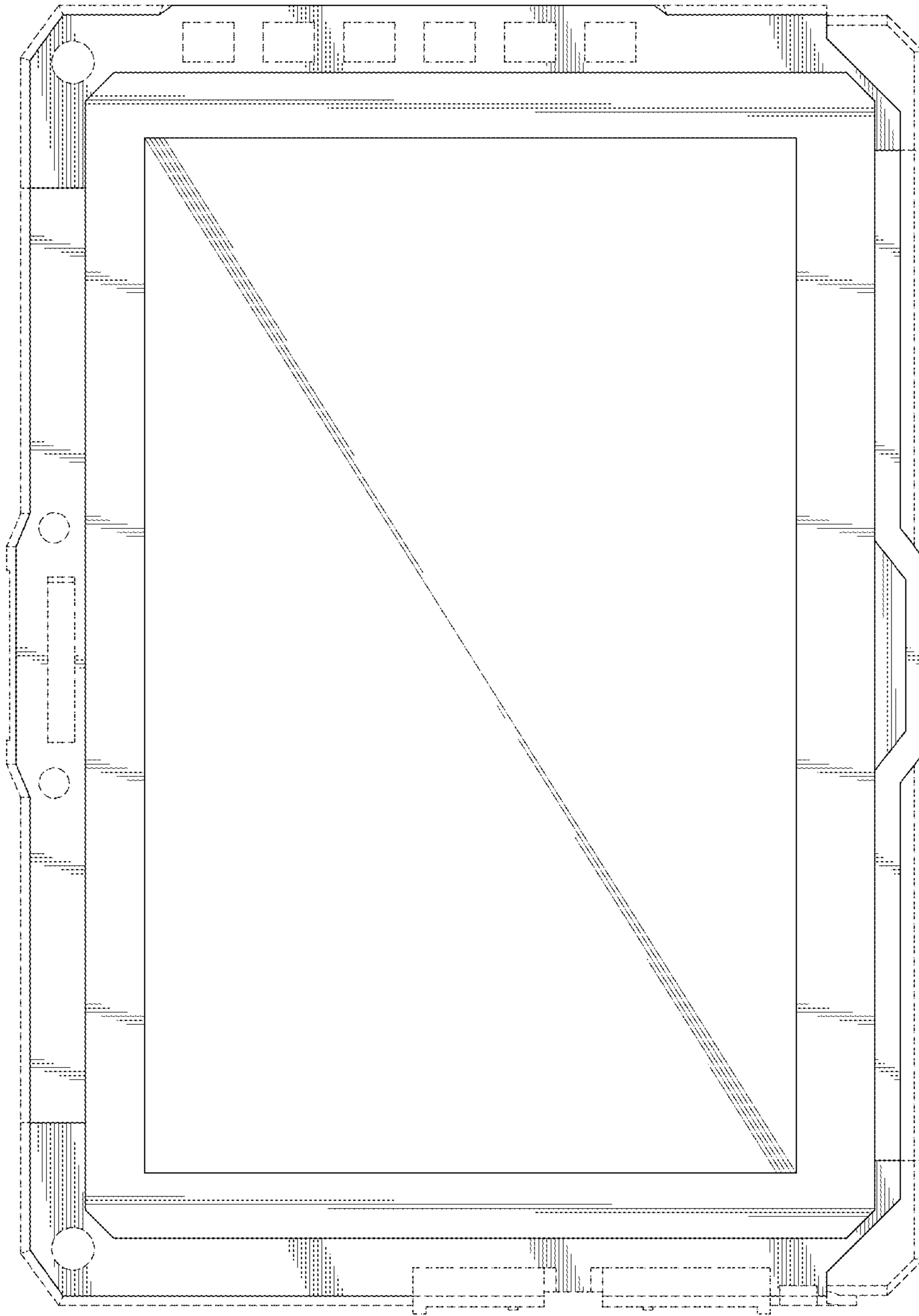


FIG. 6



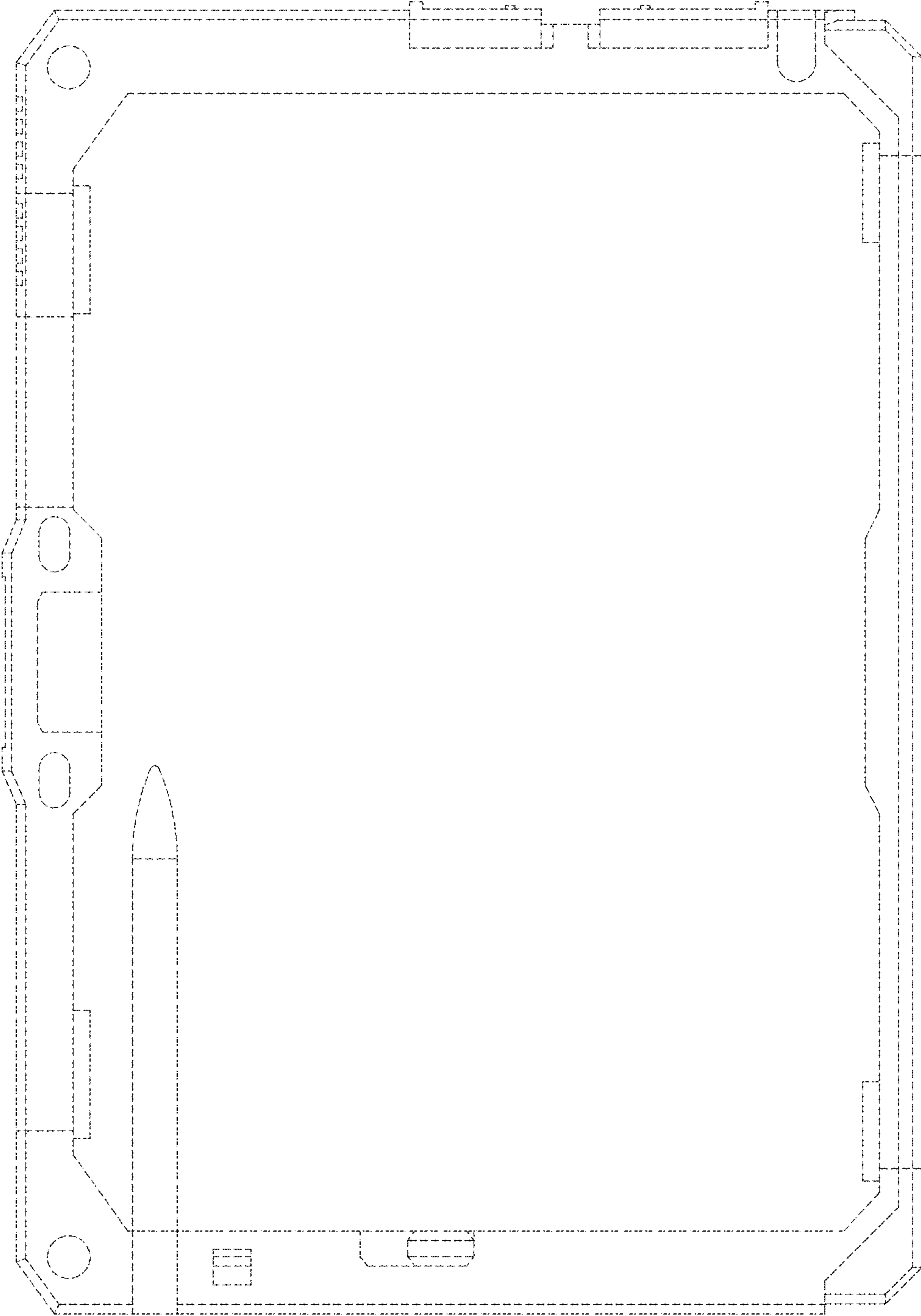


FIG. 7

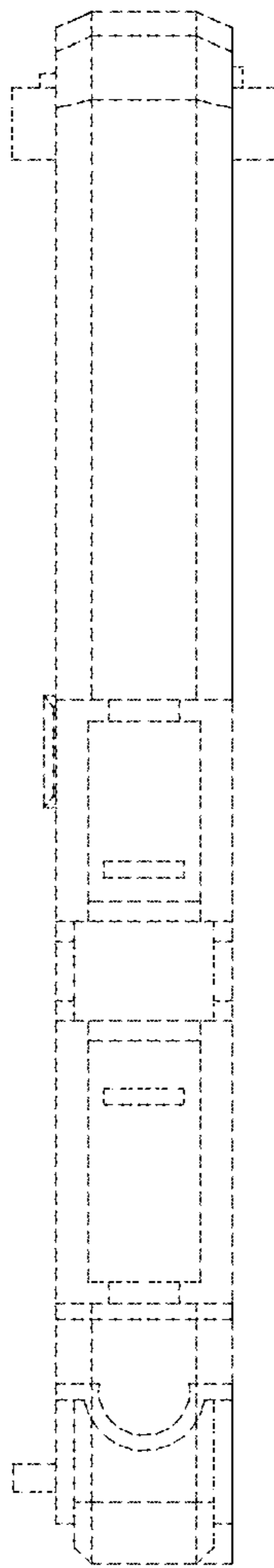


FIG. 8

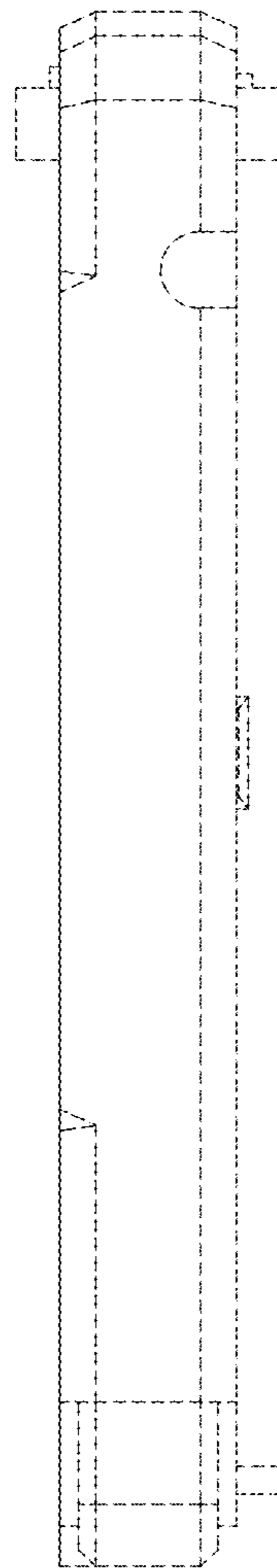


FIG. 9

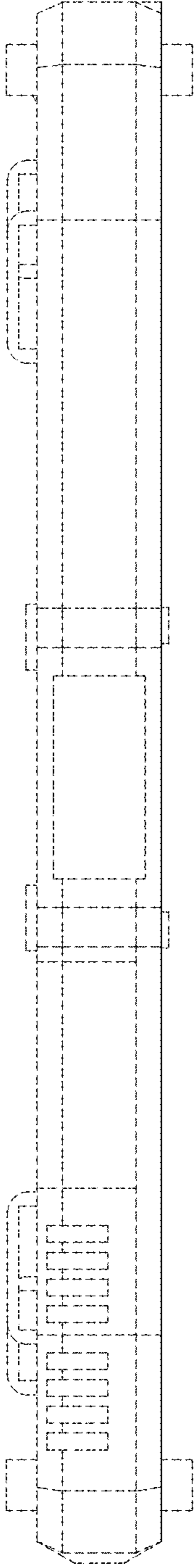


FIG. 10

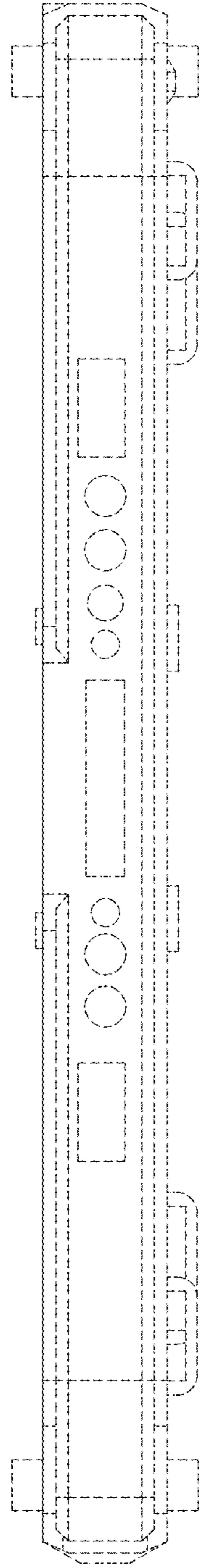


FIG. 11