



US00D910004S

(12) **United States Design Patent** (10) **Patent No.:** **US D910,004 S**
Lee (45) **Date of Patent:** **** Feb. 9, 2021**

(54) **CASE FOR ELECTRONIC COMMUNICATIONS DEVICE**
(71) Applicant: **SPIGEN KOREA CO., LTD.**, Seoul (KR)
(72) Inventor: **Jong Hwa Lee**, Seoul (KR)
(73) Assignee: **SPIGEN KOREA CO., LTD.**, Seoul (KR)

D643,837 S 8/2011 Smith
D651,202 S 12/2011 Fathoolahi
D656,495 S 3/2012 Andre
D657,354 S 4/2012 Kim
D662,924 S 7/2012 Melanson
D662,929 S 7/2012 Fahrendorff et al.
D663,263 S 7/2012 Gupta
D671,930 S 12/2012 Akana et al.
D673,539 S 1/2013 Magness et al.
D674,789 S 1/2013 Wen
D679,271 S 4/2013 Liu

(Continued)

(**) Term: **15 Years**

(21) Appl. No.: **29/728,824**
(22) Filed: **Mar. 20, 2020**
(51) **LOC (13) Cl.** **14-01**
(52) **U.S. Cl.**
USPC **D14/250**
(58) **Field of Classification Search**
USPC D14/440, 447, 250; 206/45.23, 320,
206/45.2; 361/679.55; 294/25; 224/218;
D3/247
CPC A45C 1/06; A45C 1/08
See application file for complete search history.

(56) **References Cited**

U.S. PATENT DOCUMENTS

6,758,335 B2 7/2004 Kajiya
D517,545 S 3/2006 Buckel et al.
D524,806 S 7/2006 Eguchi
D551,846 S 10/2007 Ko et al.
D559,843 S 1/2008 Takamori et al.
D560,216 S 1/2008 Takamori et al.
D574,819 S 8/2008 Andre et al.
D615,077 S 5/2010 Richardson et al.
D615,536 S 5/2010 Richardson et al.
D619,361 S 7/2010 Andre
D623,639 S 9/2010 Richardson et al.
D623,640 S 9/2010 Freeman
D643,029 S 8/2011 Feng

OTHER PUBLICATIONS

“Spigen Ultra Hybrid iPhone 5S / 5 Case with Air Cushion Technology and Hybrid Drop Protection for iPhone 5S / iPhone 5—Crystal Clear”, <https://www.amazon.com/dp/BOOG3JCFNC>, Earliest review date of Sep. 10, 2013, Downloaded on Jan. 4, 2019.

(Continued)

Primary Examiner — Cynthia R Underwood
(74) *Attorney, Agent, or Firm* — Heedong Chae; Lucem, PC

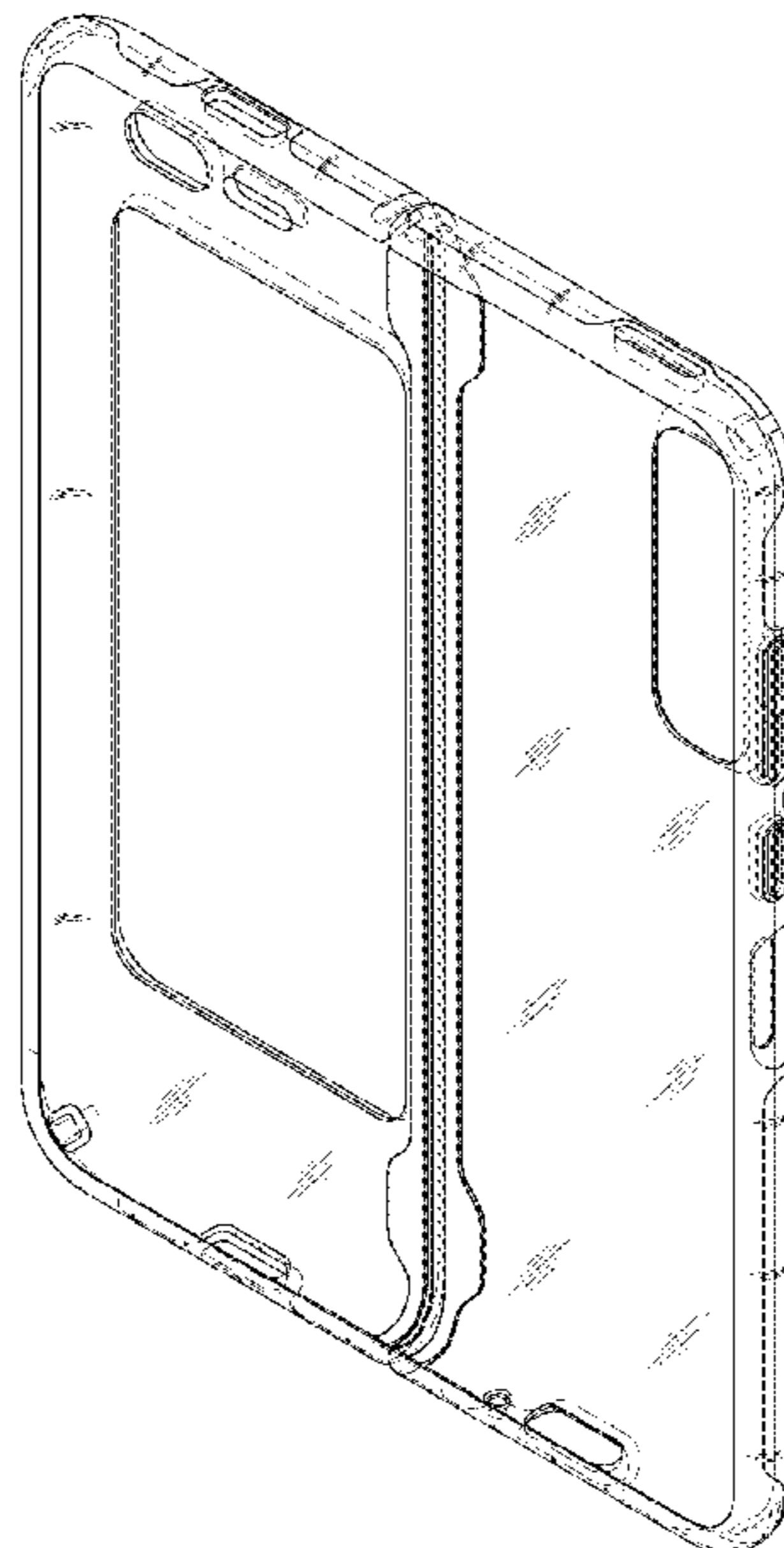
(57) **CLAIM**

The ornamental design for a case for electronic communications device, as shown and described.

DESCRIPTION

FIG. 1 is a front perspective view of a case for electronic communications device showing my new design; FIG. 2 is a rear perspective view thereof; FIG. 3 is a front elevational view thereof; FIG. 4 is a rear elevational view thereof; FIG. 5 is a left side elevational view thereof; FIG. 6 is a right side elevational view thereof; FIG. 7 is a top plan view thereof; and, FIG. 8 is a bottom plan view.

1 Claim, 8 Drawing Sheets



(56)

References Cited

U.S. PATENT DOCUMENTS

D679,695 S 4/2013 Fahrendorff et al.
 D680,521 S 4/2013 Fathollahi
 D685,780 S 7/2013 Murchison
 D691,992 S 10/2013 Murchison
 D694,224 S 11/2013 Wooseung
 D694,759 S 12/2013 Chang
 D696,238 S 12/2013 Murchison et al.
 D696,240 S 12/2013 Kim et al.
 D696,256 S 12/2013 Piedra et al.
 D697,503 S 1/2014 Melanson
 D706,254 S 6/2014 Chang
 D706,754 S 6/2014 Goradesky
 D709,869 S 7/2014 Witter
 D712,385 S 9/2014 Hu et al.
 D712,388 S 9/2014 Jia
 D714,276 S 9/2014 Hu
 D719,945 S 12/2014 Chiang
 D721,071 S 1/2015 Nelson et al.
 D721,360 S 1/2015 Laffon de Mazieres
 D721,693 S 1/2015 Lee et al.
 D721,694 S 1/2015 Lee et al.
 D732,543 S 6/2015 Westrup et al.
 D733,111 S 6/2015 Kim
 9,059,505 B1 6/2015 Asrani
 D733,714 S 7/2015 Ballou et al.
 D739,394 S 9/2015 Rayner et al.
 D741,845 S 10/2015 Kim
 D744,472 S 12/2015 Lerenthal
 D746,805 S 1/2016 Kim
 D747,708 S 1/2016 Roberts
 D749,535 S 2/2016 Joung
 D749,557 S 2/2016 Feng
 D749,594 S 2/2016 Kim
 9,293,808 B1 3/2016 Roberts
 D754,652 S 4/2016 Roberts
 D755,766 S * 5/2016 Kim D14/250
 D755,770 S * 5/2016 Kim D14/250
 D756,341 S 5/2016 Kim et al.
 D756,342 S 5/2016 Lee et al.
 D756,343 S 5/2016 Wall et al.
 D756,345 S 5/2016 Roberts
 D756,909 S 5/2016 Gupta et al.
 D756,910 S 5/2016 Gupta et al.
 D756,911 S 5/2016 Gupta et al.
 D763,239 S 8/2016 Chan et al.
 D763,241 S 8/2016 Kim
 D765,627 S 9/2016 Watt
 D765,633 S 9/2016 Northrup et al.
 D765,643 S 9/2016 Witter
 D765,645 S 9/2016 Kim
 D771,027 S 11/2016 Prstojevich
 D771,612 S 11/2016 Roberts et al.
 D771,613 S 11/2016 Poon et al.
 D772,854 S 11/2016 Igarashi
 D772,881 S 11/2016 Chang et al.
 D773,445 S 12/2016 Witter et al.
 D776,104 S 1/2017 Tien
 D776,647 S 1/2017 Kim
 D777,157 S 1/2017 Kim
 D777,159 S 1/2017 Lee et al.
 D780,166 S 2/2017 Lin
 D780,167 S 2/2017 Tien
 D781,834 S 3/2017 Kim et al.
 D781,835 S 3/2017 Kim et al.
 D781,836 S 3/2017 Kim et al.
 D781,837 S 3/2017 Kim et al.
 D781,838 S 3/2017 Kim et al.
 D781,839 S 3/2017 Kim et al.
 D781,840 S 3/2017 Kim et al.
 D782,453 S 3/2017 Kim et al.
 D782,454 S 3/2017 Kim et al.
 D784,309 S 4/2017 Lee et al.
 D786,256 S 5/2017 Stewart
 D786,848 S 5/2017 Park et al.
 D786,849 S 5/2017 Park et al.

D786,881 S 5/2017 Stewart et al.
 D792,394 S 7/2017 Lee et al.
 D795,237 S 8/2017 Jung et al.
 D797,715 S 9/2017 Kim
 D798,853 S 10/2017 Park et al.
 D801,322 S 10/2017 Song et al.
 D807,337 S 1/2018 Kim et al.
 D808,955 S 1/2018 Park et al.
 D810,067 S * 2/2018 Lee D14/250
 D823,293 S 7/2018 Kim et al.
 D823,294 S 7/2018 Kim et al.
 D823,296 S 7/2018 Kim et al.
 D823,297 S 7/2018 Kim et al.
 D823,298 S 7/2018 Kim et al.
 D825,542 S 8/2018 Wikstrom
 D830,353 S 10/2018 Kim et al.
 D831,632 S 10/2018 Jung
 D832,245 S 10/2018 Jeon
 D832,268 S 10/2018 Mecchella et al.
 D832,831 S 11/2018 Zhang
 D835,089 S 12/2018 Nelson et al.
 D835,090 S 12/2018 Beck et al.
 D838,262 S 1/2019 Witter et al.
 D838,264 S 1/2019 Wright et al.
 D838,265 S 1/2019 Wright et al.
 D838,710 S 1/2019 Wang
 D839,252 S 1/2019 Lim et al.
 D839,859 S 2/2019 Zhang
 D853,373 S 7/2019 Kim
 D854,546 S 7/2019 Mecchella
 D858,500 S 9/2019 Webb et al.
 D859,388 S 9/2019 Chung et al.
 D859,389 S 9/2019 Kim et al.
 D868,769 S 12/2019 Choi et al.
 D870,717 S * 12/2019 Igarashi D14/250
 D877,136 S * 3/2020 Lee D14/250
 D879,764 S * 3/2020 Lee D14/250
 D883,973 S * 5/2020 Lu D14/250
 D884,691 S * 5/2020 Wilder D14/250
 2014/0290009 A1 * 10/2014 Kasai E05D 3/12
 16/386
 2015/0195938 A1 7/2015 Witter
 2015/0245522 A1 8/2015 Kang
 2015/0180526 A1 9/2015 Hidaka
 2016/0058143 A1 3/2016 Tien
 2016/0198026 A1 7/2016 Del Toro

OTHER PUBLICATIONS

“Spigen Ultra Hybrid Nexus 5 Case with Air Cushion Technology and Hybrid Drop Protection for Nexus 5—Black”, <https://www.amazon.com/dp/B00FJJ38HY>, Earliest review date of Nov. 1, 2013, Downloaded on Jan. 8, 2019.
 “Spigen Ultra Hybrid iPhone 6 Case with Air Cushion Technology and Hybrid Drop Protection for iPhone 6S / iPhone 6—Crystal Clear”, <https://www.amazon.com/dp/B00JH88D10>, Earliest review date of Jul. 10, 2014, Downloaded on Dec. 28, 2018.
 “Spigen Ultra Hybrid Galaxy Note 4 Case with Air Cushion Technology and Hybrid Drop Protection for Samsung Galaxy Note 4 2014—Gunmetal”, <https://www.amazon.com/dp/B00MAWPXVW>, Earliest review date of Oct. 15, 2014, Downloaded on Aug. 8, 2018.
 “Spigen Ultra Hybrid Galaxy Note 4 Case with Air Cushion Technology and Hybrid Drop Protection for Samsung Galaxy Note 4 2014—Crystal Clear”, <https://www.amazon.com/dp/B00MAWPVXM>, Earliest review date of Oct. 17, 2014, Downloaded on Aug. 8, 2018.
 “Spigen Ultra Hybrid Galaxy S6 Case with Air Cushion Technology and Hybrid Drop Protection for Galaxy S6 2015 Crystal Clear”, <https://www.amazon.com/dp/B00GIU4PN84>, Earliest review date of Feb. 6, 2015, Downloaded on Aug. 8, 2018.
 “Spigen Ultra Hybrid Galaxy S6 Edge Case with Air Cushion Technology and Hybrid Drop Protection for Galaxy S6 Edge 2015—Metal Slate”, <https://www.amazon.com/dp/B00SV63NNG>, Earliest review date of Mar. 30, 2015, Downloaded on Aug. 8, 2018.
 “Spigen Ultra Hybrid Galaxy S6 Edge Plus Case with Air Cushion Technology and Hybrid Drop Protection for Galaxy S6 Edge Plus

(56)

References Cited

OTHER PUBLICATIONS

2015—Mint”, <https://www.amazon.com/dp/B010MWFRFI>, Earliest review date of Aug. 18, 2015, Downloaded on Aug. 8, 2018.

“Spigen Ultra Hybrid iPhone 6S Case with Air Cushion Technology and Hybrid Drop Protection for iPhone 6S / iPhone 5—Crystal Clear”, <https://www.amazon.com/dp/B010MVJNTK>, Earliest review date of Aug. 31, 2015, Downloaded on Dec. 28, 2018.

“iPhone 6s Plus Case, Spigen [Ultra Hybrid] Air Cushion [Crystal Clear] Clear back panel + TPU bumper for iPhone 5 Plus (2014) / 6s Plus (2015)—Crystal Clear (SGP11644)”, <https://www.amazon.com/dp/B010MVRC20>, Earliest review date of Sep. 15, 2015, Downloaded on Jan. 4, 2019.

“Spigen Ultra Hybrid Nexus 5X Case with Air Cushion Technology and Hybrid Drop Protection for Nexus 5X—Crystal Clear”, <https://www.amazon.com/dp/B0147JXWG8>, Earliest review date of Sep. 24, 2015, Downloaded on Jan. 8, 2019.

“Spigen Ultra Hybrid Tech iPhone 6S Plus Case with Bumper Protection for iPhone 6S Plus 2015—Crystal White”, <https://www.amazon.com/dp/B013TKNIOC>, Earliest review date of Oct. 26, 2015, Downloaded on Jan. 4, 2019.

“Spigen Ultra Hybrid Galaxy S7 Edge Case with Air Cushion Technology and Hybrid Drop Protection for Samsung Galaxy S7 Edge 2016—Rose Crystal”, <https://www.amazon.com/dp/B01AUROZ1G>, Earliest review date of Feb. 24, 2016, Downloaded on Aug. 8, 2018.

“Spigen Ultra Hybrid Galaxy S7 Case with Air Cushion Technology and Hybrid Drop Protection for Samsung Galaxy S7 2016—Crystal Clear”, <https://www.amazon.com/dp/B01A7ID0AG>, Earliest review date of Feb. 29, 2016, Downloaded on Aug. 8, 2018.

“Spigen Ultra Hybrid iPhone SE Case with Air Cushion Technology and Hybrid Drop Protection for iPhone SE 2016 crystal Clear”, <https://www.amazon.com/dp/B01BEDO0OS>, Earliest review date of Apr. 15, 2016, Downloaded on Jan. 4, 2019.

“Spigen Ultra Hybrid Galaxy A5 Case with Air Cushion Technology and Hybrid Drop Protection for Galaxy A5—Crystal clear”, <https://www.amazon.com/dp/B018J07D01>, Earliest review date of May 23, 2016, Downloaded on Aug. 8, 2018.

“Spigen Ultra Hybrid iPhone 7 Case with Air Cushion Technology and Hybrid Drop Protection for iPhone 7 2016 Black”, <https://www.amazon.com/dp/B01GIVXBVY>, Earliest review date of Sep. 1, 2016, Downloaded on Jan. 8, 2019.

“Spigen Ultra Hybrid iPhone 7 Plus Case with Air Cushion Technology and Hybrid Drop Protection for Apple iPhone 7 Plus 2016—Crystal Clear”, <https://www.amazon.com/dp/B01GIWGFMU>, Earliest review date of Sep. 6, 2016, Downloaded on Jan. 8, 2019.

“Spigen Ultra Hybrid S iPhone Seven Plus Case with Air Cushion Technology and Magnetic Metal Kickstand for Apple iPhone Seven Plus Two Thousand and Sixteen Clear Black”, <https://www.amazon.com/dp/B01LRSF986>, Earliest review date of Sep. 7, 2016, Downloaded on Jan. 8, 2019.

“Spigen Ultra Hybrid S iPhone 7 Case with Air Cushion Technology and Magnetic Metal Kickstand for iPhone 7 2016 crystal Clear”, <https://www.amazon.com/dp/B01J9DVBWE>, Earliest review date of Sep. 13, 2016, Downloaded 3ri Jan. 8, 2019.

“Spigen Ultra Hybrid Google Pixel Xl Case with Air Cushion Technology and Hybrid Drop Protection for Google Pixel XL 2016—Crystal Clear”, <https://www.amazon.com/dp/B01M12Z4VQ>, Earliest review date of Oct. 21, 2016, Downloaded on Jan. 8, 2019.

“Spigen Ultra Hybrid [2nd Generation] iPhone 8 Plus Case/iPhone 7 Plus Case with Clear Protection and Air Cushion Technology for iPhone 8 Plus (2017) / iPhone 7 Plus (2016)—Crystal Clear”, <https://www.amazon.com/dp/B01MXKNP05>, Earliest review date of Jan. 9, 2017, Downloaded on Jan. 8, 2019.

“Spigen Ultra Hybrid [2nd Generation] iPhone 7 Case/iPhone 8 Case with Air Cushion Technology for Apple iPhone 7 (2016)/ iPhone 8 (2017)—Crystal Clear”, <https://www.amazon.com/dp/B01MOUSRWG>, Earliest review date of Jan. 17, 2017, Downloaded on Jan. 8, 2019.

Spigen Ultra Hybrid Galaxy A5 2017 Case with Air Cushion Technology and Hybrid Drop Protection for Samsung Galaxy A5

(2017)—Crystal Clear, <https://www.amazon.com/dp/B01NCJOZ1C>, Earliest review date of Mar. 2, 2017, Downloaded on Jan. 8, 2019.

“Spigen Ultra Hybrid Galaxy S8 Plus Case with Air Cushion Technology and Hybrid Drop Protection for Galaxy S8 Plus (2017)—Crystal Clear”, <https://www.amazon.com/dp/B06XP7S564> Earliest review date of Apr. 4, 2017, Downloaded on Aug. 8, 2018.

“Spigen Ultra Hybrid Galaxy S8 Case with Air Cushion Technology and Hybrid Drop Protection for Samsung Galaxy 38 (2017)—Crystal Clear”, <https://www.amazon.com/dp/B06XP5YQNQ>, Earliest review date of Apr. 7, 2017, Downloaded on Jul. 30, 2018.

“Spigen Ultra Hybrid S Galaxy S8 Plus Case with Air Cushion Technology and Magnetic Metal Kickstand for Galaxy 38 Plus (2017)—Crystal Clear”, <https://www.amazon.com/dp/B06XNSZJ31>, Earliest review date of Apr. 9, 2017, Downloaded on Aug. 8, 2018.

“Spigen Ultra Hybrid Galaxy A7 2017 Case with Air Cushion Technology and Hybrid Drop Protection for Samsung Galaxy A7 (2017)—Crystal Clear”, <https://www.amazon.com/dp/B01N9JDOMH>, Earliest review date of May 6, 2017, Downloaded on Aug. 8, 2018.

“Spigen Ultra Hybrid Sony Xperia XZ Premium Case with Air Cushion Technology and Hybrid Drop Protection for Sony Kperia XZ Premium (2017)—Crystal Clear”, <https://www.amazon.com/dp/B071VZ1176>, Earliest review date of Jul. 15, 2017, Downloaded on Jan. 8, 2019.

“Spigen Ultra Hybrid OnePlus 5 Case with Air Cushion Technology and Hybrid Drop Protection for OnePlus 5 (2017) Crystal Clear”, <https://www.amazon.com/dp/B06XFSQFMW>, Earliest review date of Sep. 3, 2017, Downloaded on Jan. 8, 2019.

“Spigen Ultra Hybrid Galaxy Note 8 Case with Air Cushion Technology and Hybrid Drop Protection for Galaxy Note 8 (2017)—Midnight Black”, <https://www.amazon.com/dp/B073RWN5QP>, Earliest review date of 20170903, Downloaded on Aug. 8, 2018.

“Spigen Ultra Hybrid S Galaxy Note 8 Case with Air Cushion Technology and Magnetic Metal Kickstand for Galaxy Note 8 (2017)—Crystal Clear”, <https://www.amazon.com/dp/B073RWFZQH>, Earliest review date of Sep. 8, 2017 Downloaded on Jul. 30, 2018.

“Spigen Ultra Hybrid Designed for Apple iPhone XS Case (2018) / Designed for Apple iPhone X Case (2017)—Crystal Clear”, <https://www.amazon.com/dp/B074CMMCZM>, Earliest review date of Sep. 13, 2017, Downloaded on Jan. 8, 2019.

“Spigen Ultra Hybrid S [2nd Generation] iPhone 8 Case/iPhone 7 Case with Air Cushion Technology and Magnetic Metal Kickstand for Apple iPhone 8 (2017) / iPhone 7 (2016)—Crystal Clear”, <https://www.amazon.com/dp/B07482GSK2>, Earliest review date of Sep. 13, 2017, Downloaded on Jan. 8, 2019.

“Spigen Ultra Hybrid S [2nd Generation] iPhone 8 Plus Case/iPhone 7 Plus Case with Air Cushion Technology and Kickstand for Apple iPhone 8 Plus (2017) / iPhone 7 Plus (2016)—Crystal Clear”, <https://www.amazon.com/dp/B074833H3M>, Earliest review date of Sep. 30, 2017, Downloaded on Jan. 8, 2019.

“Spigen Ultra Hybrid S Designed for Apple iPhone XS Case (2018) / Designed for Apple iPhone X Case (2017) crystal Clear”, <https://www.amazon.com/dp/B074CMHVKY>, Earliest review date of Oct. 19, 2017, Downloaded on Jan. 8, 2019.

“Spigen Ultra Hybrid Sony Xperia XZ1 Case with Air Cushion Technology and Hybrid Drop Protection for Sony Xperia KZ1 (2017)—Crystal Clear”, <https://www.amazon.com/dp/B075DWY35G>, Earliest review date of Dec. 11, 2017, Downloaded on Jan. 8, 2019.

“Spigen Ultra Hybrid Galaxy S9 Plus Case with Air Cushion Technology and Clear Hybrid Drop Protection for Samsung Galaxy S9 Plus (2018) —Matte Black”, <https://www.amazon.com/dp/B078B8PM95>, Earliest review date of Mar. 4, 2018, Downloaded on Jan. 8, 2019.

“Spigen Ultra Hybrid Galaxy S9 Case with Air Cushion Technology and Clear Hybrid Drop Protection for Samsung Galaxy S9 (2018)—Coral Blue”, <https://www.amazon.com/dp/B078FGB7TT>, Earliest review date of Mar. 9, 2018, Downloaded on Jan. 8, 2019.

“Spigen Ultra Hybrid S Galaxy S9 Plus Case with Slim Clear Protection Air Cushion Technology and Magnetic Metal Kickstand for Samsung Galaxy S9 Plus (2018)—Crystal Clear”, <https://www.amazon.com/dp/B078B1HB7Z>, Earliest review date of Mar. 15, 2018, Downloaded on Jan. 8, 2019.

“Spigen Ultra Hybrid S Galaxy S9 Case with Slim Clear Protection Air Cushion Technology and Magnetic Metal Kickstand for Samsung

(56)

References Cited

OTHER PUBLICATIONS

Galaxy S9 (2018)—Midnight Black”, <https://www.amazon.com/dp/B078KPFMCC>, Earliest review date of Mar. 16, 2018, Downloaded on Jan. 8, 2019.

* cited by examiner

FIG. 1

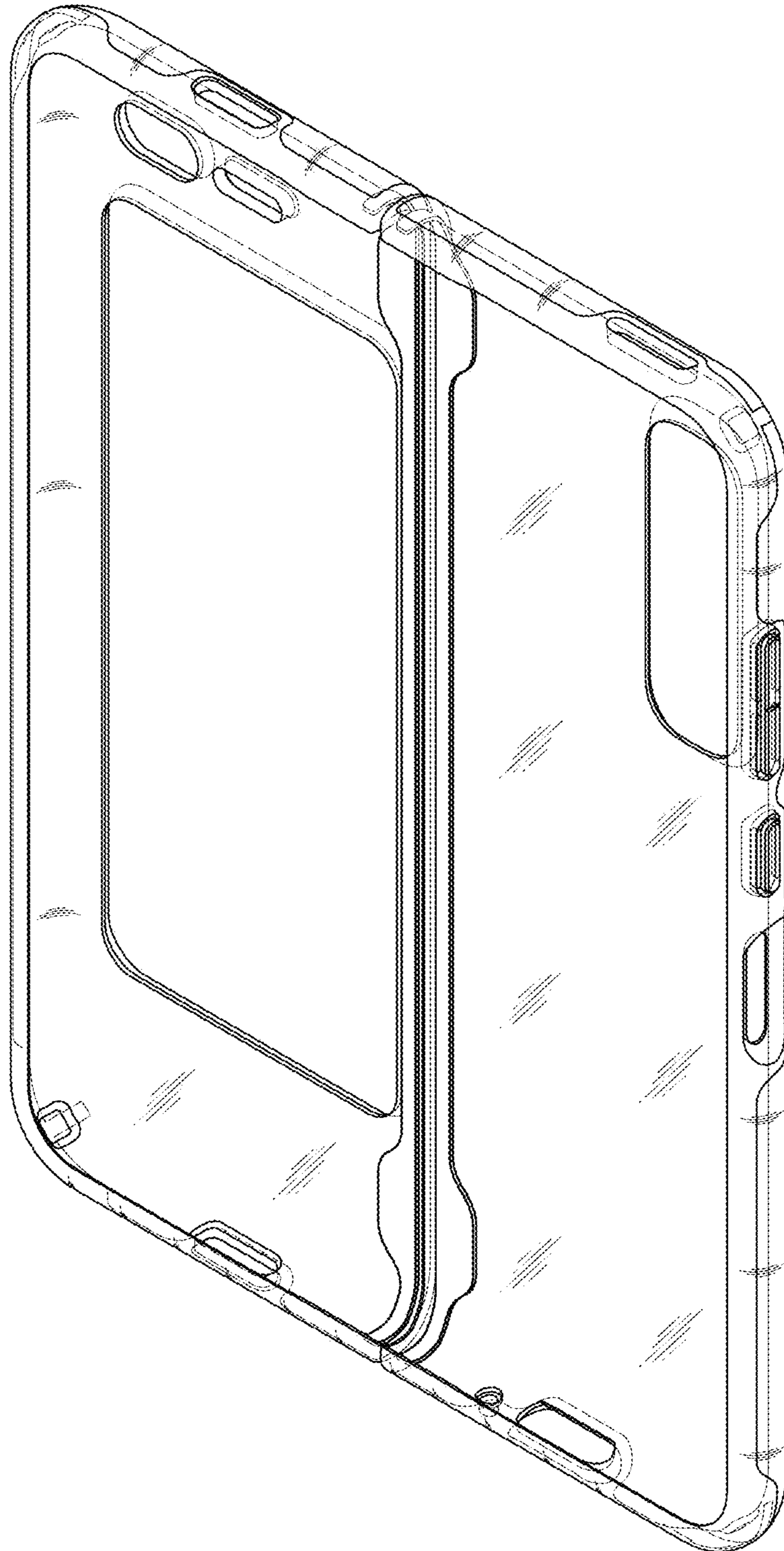


FIG. 2

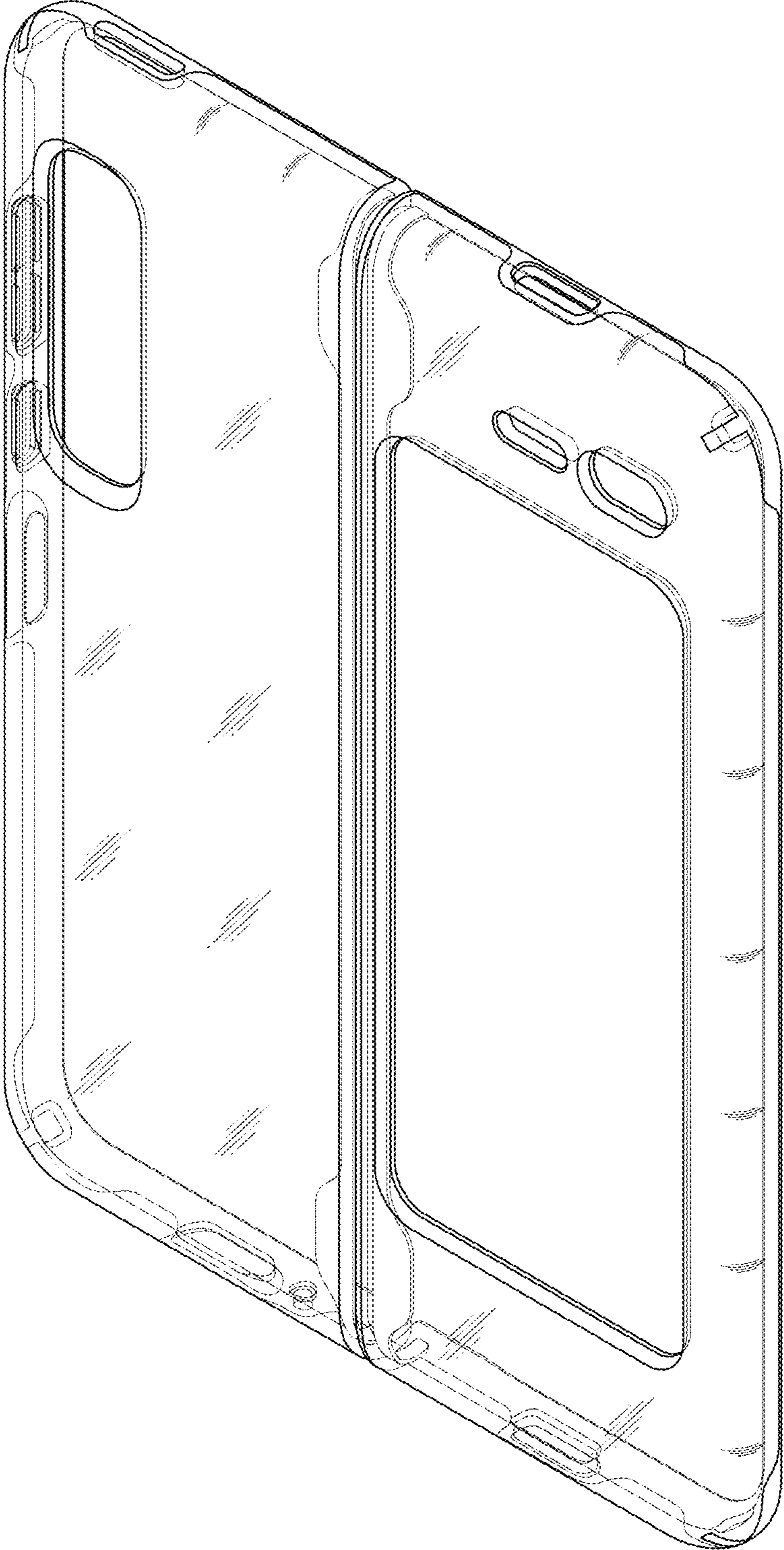


FIG. 3

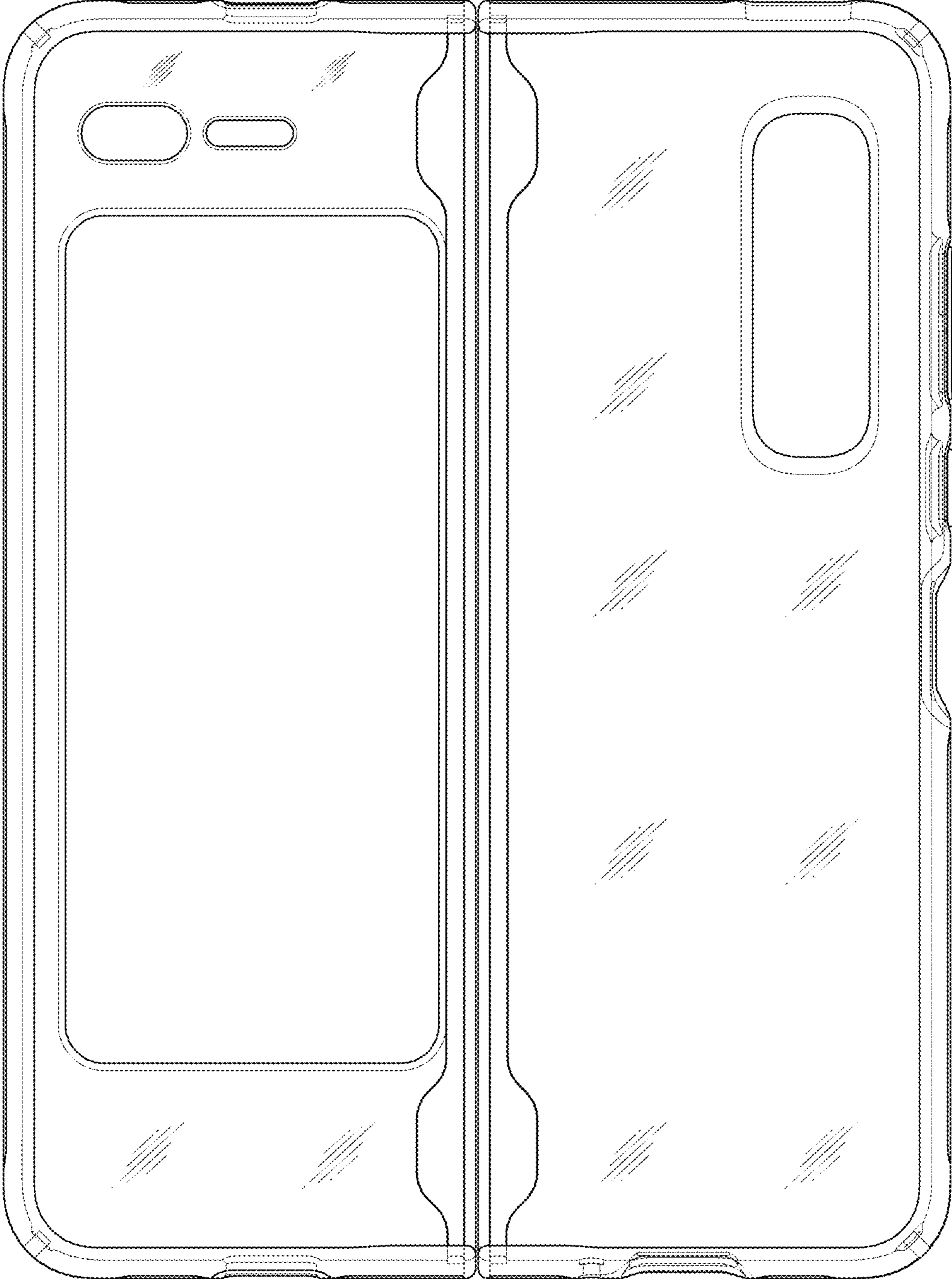


FIG. 4

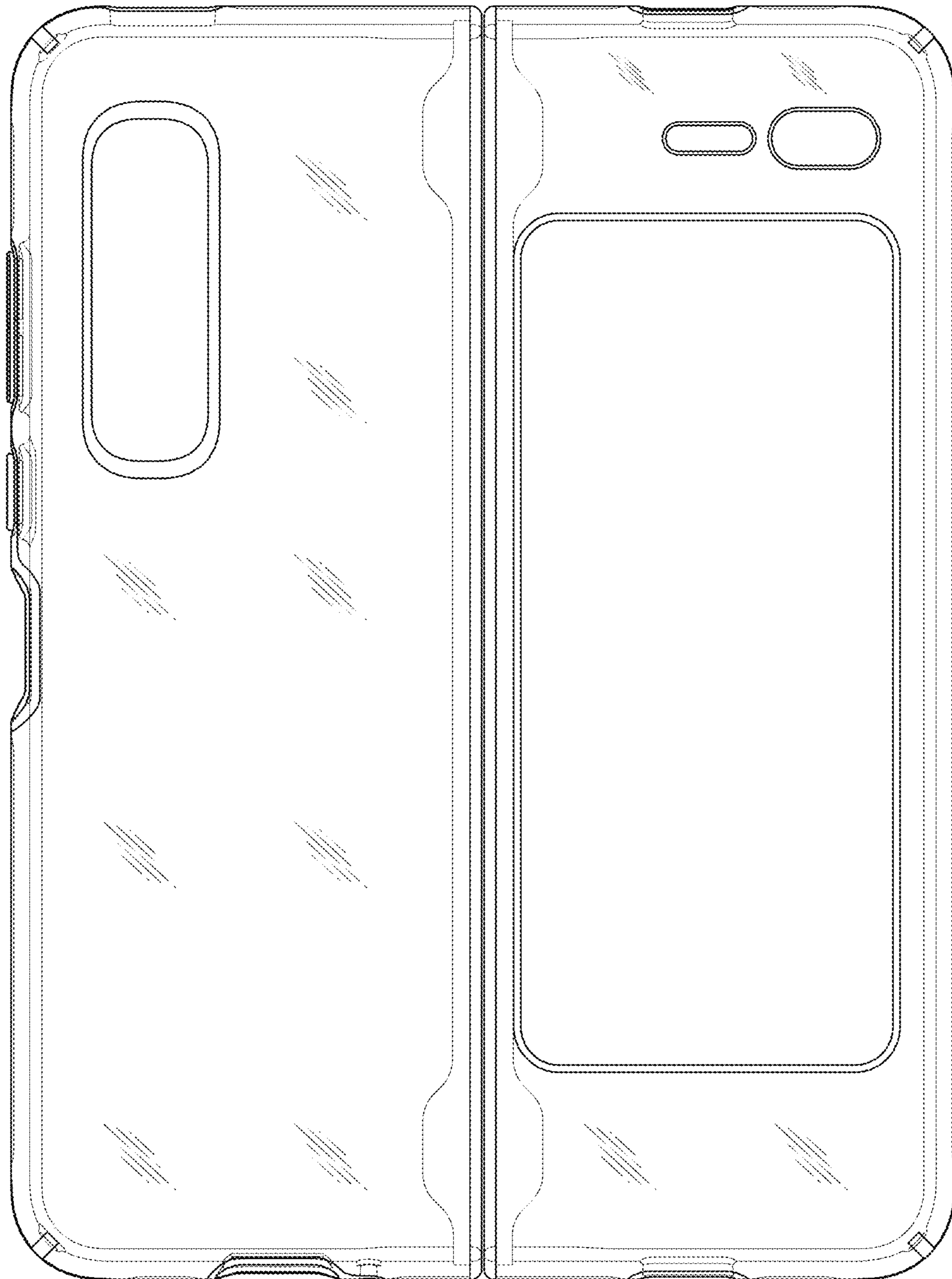


FIG. 5

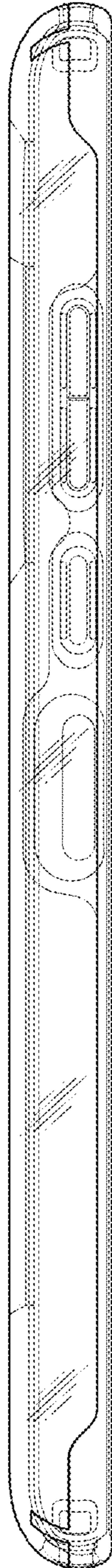


FIG. 6

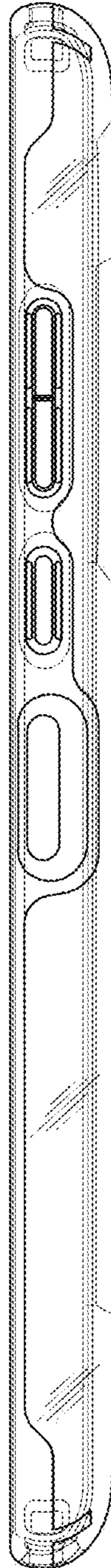


FIG. 7

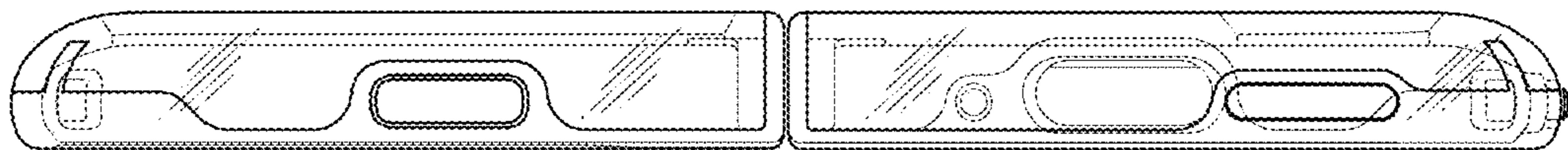


FIG. 8

