

US00D910001S

(12) **United States Design Patent**  
**Chang et al.**

(10) **Patent No.:** **US D910,001 S**  
(45) **Date of Patent:** **\*\* Feb. 9, 2021**

(54) **GATEWAY**  
(71) Applicant: **Quanta Computer Inc.**, Taoyuan (TW)  
(72) Inventors: **Chia-Yuan Chang**, Taoyuan (TW);  
**Jung-Wen Chang**, Taoyuan (TW);  
**Juan-Jung Li**, Taoyuan (TW)  
(73) Assignee: **QUANTA COMPUTER INC.**,  
Taoyuan (TW)  
(\*\*) Term: **15 Years**

D462,954 S \* 9/2002 Chen ..... D14/299  
D467,892 S \* 12/2002 Lewis ..... D14/203.6  
D519,504 S \* 4/2006 Tagliabue ..... D14/356  
D579,010 S \* 10/2008 Tseng ..... D14/240  
D610,133 S \* 2/2010 Asano ..... D14/240  
D640,692 S \* 6/2011 Waisman-Diamond ..... D14/358  
D643,412 S \* 8/2011 Brady ..... D14/218  
D658,640 S \* 5/2012 Ivaskevicius ..... D14/242  
D662,496 S \* 6/2012 Lewis ..... D14/240  
D673,935 S \* 1/2013 Lee ..... D14/240  
D694,740 S \* 12/2013 Apostolakis ..... D14/240

(Continued)

(21) Appl. No.: **29/698,921**

(22) Filed: **Jul. 22, 2019**

(30) **Foreign Application Priority Data**

Apr. 9, 2019 (TW) ..... 108301975

(51) **LOC (13) Cl.** ..... **14-03**

(52) **U.S. Cl.**  
USPC ..... **D14/240; D14/358**

(58) **Field of Classification Search**  
USPC ... D14/140.1, 240, 242, 358, 125, 129, 130,  
D14/140, 142, 155, 167, 168, 172, 188,  
D14/195, 299, 496, 348, 351, 356, 357,  
D14/197, 198, 230; D10/104.1, 106.1,  
D10/106.6, 116.1, 61, 64, 75, 106.9, 121;  
D13/110, 123, 152, 158, 162, 162.1, 163,  
D13/168, 184, 199, 108

CPC ... H04W 88/08; H04W 88/085; H04W 88/00;  
H04W 88/005; H04W 88/02; H04W  
88/10; H04W 88/12; H04W 88/14; H04W  
88/16; H04W 88/18; H04W 4/00; H04W  
16/26; H01Q 1/02; H01Q 1/2291; H01Q  
1/246; H01Q 1/42; H04B 1/38; H04R  
2201/00; H04R 2201/02; H04R 1/00;  
H04R 1/02

See application file for complete search history.

(56) **References Cited**

**U.S. PATENT DOCUMENTS**

D327,690 S \* 7/1992 Ogawa ..... D14/230  
D391,943 S \* 3/1998 Han ..... D14/356

**OTHER PUBLICATIONS**

Gateways and routers. (Design—© Questel) orbit.com. [online PDF] 34 pgs. Print Dates Range Jul. 29, 2009 through Apr. 3, 2020. [retrieved Sep. 24, 2020] <https://www.orbit.com/export/QPTUJ214/pdf2/b13cbb6b-8348-4d97-b4fd-fa93ae80915c-002208.pdf>.\*

*Primary Examiner* — Marie D. Fast Horse  
(74) *Attorney, Agent, or Firm* — McClure, Qualey & Rodack, LLP

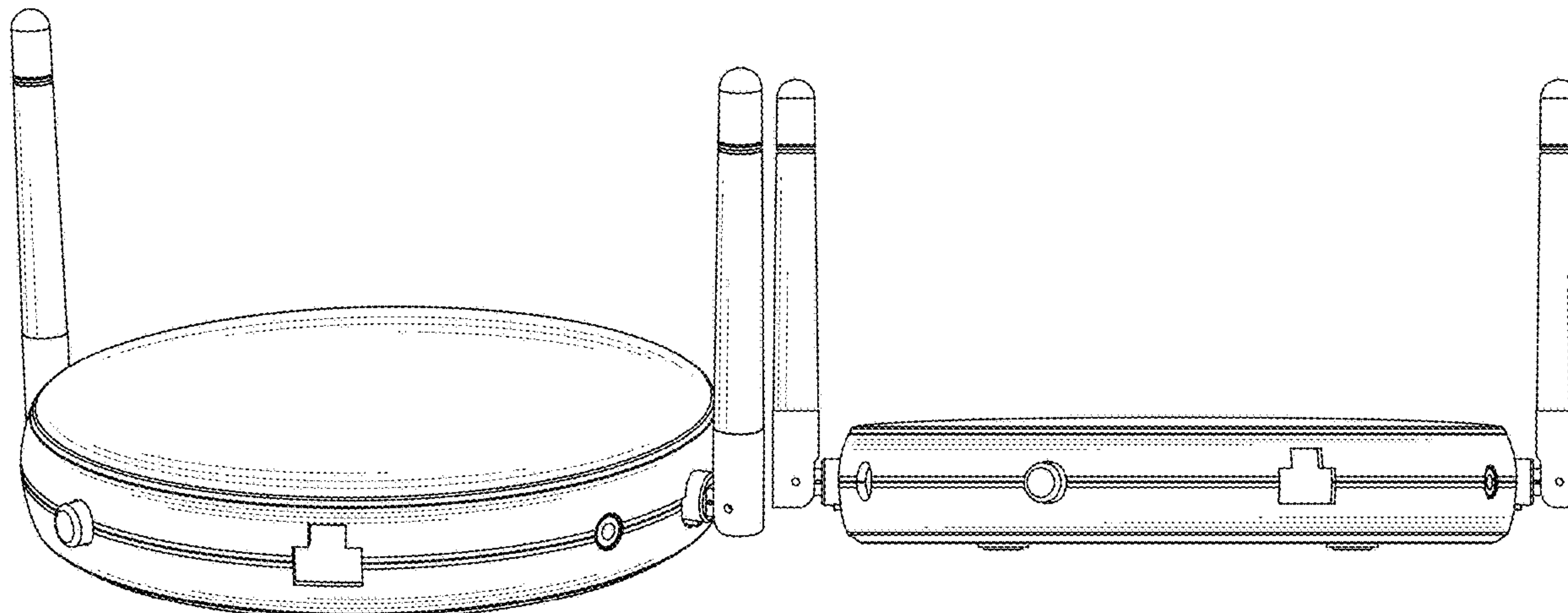
(57) **CLAIM**

The ornamental design for a gateway, as shown and described.

**DESCRIPTION**

FIG. 1 is a front, right and top perspective view of a gateway, showing our new design;  
FIG. 2 is a front view thereof;  
FIG. 3 is a rear view thereof;  
FIG. 4 is a left side view thereof;  
FIG. 5 is a right side view thereof;  
FIG. 6 is a top plan view thereof; and,  
FIG. 7 is a bottom plan view thereof.  
The broken lines in FIG. 7 depict portions of the gateway that form no part of the claimed design.

**1 Claim, 7 Drawing Sheets**



(56)

**References Cited**

U.S. PATENT DOCUMENTS

D743,954 S *	11/2015	Chuang .....	D14/240
D751,052 S *	3/2016	Jones .....	D14/203.6
D780,731 S *	3/2017	Kim .....	D14/242
D784,939 S *	4/2017	Luo .....	D14/125
D792,397 S *	7/2017	Ma .....	D14/358
D795,937 S *	8/2017	Chang .....	D16/202
D814,434 S *	4/2018	Li .....	D14/125
D822,717 S *	7/2018	Lim .....	D14/496
D829,198 S *	9/2018	Cho .....	D14/240
D844,592 S *	4/2019	Huang .....	D14/240
D844,593 S *	4/2019	Bould .....	D14/240
D857,678 S *	8/2019	Vardi .....	D14/242

\* cited by examiner

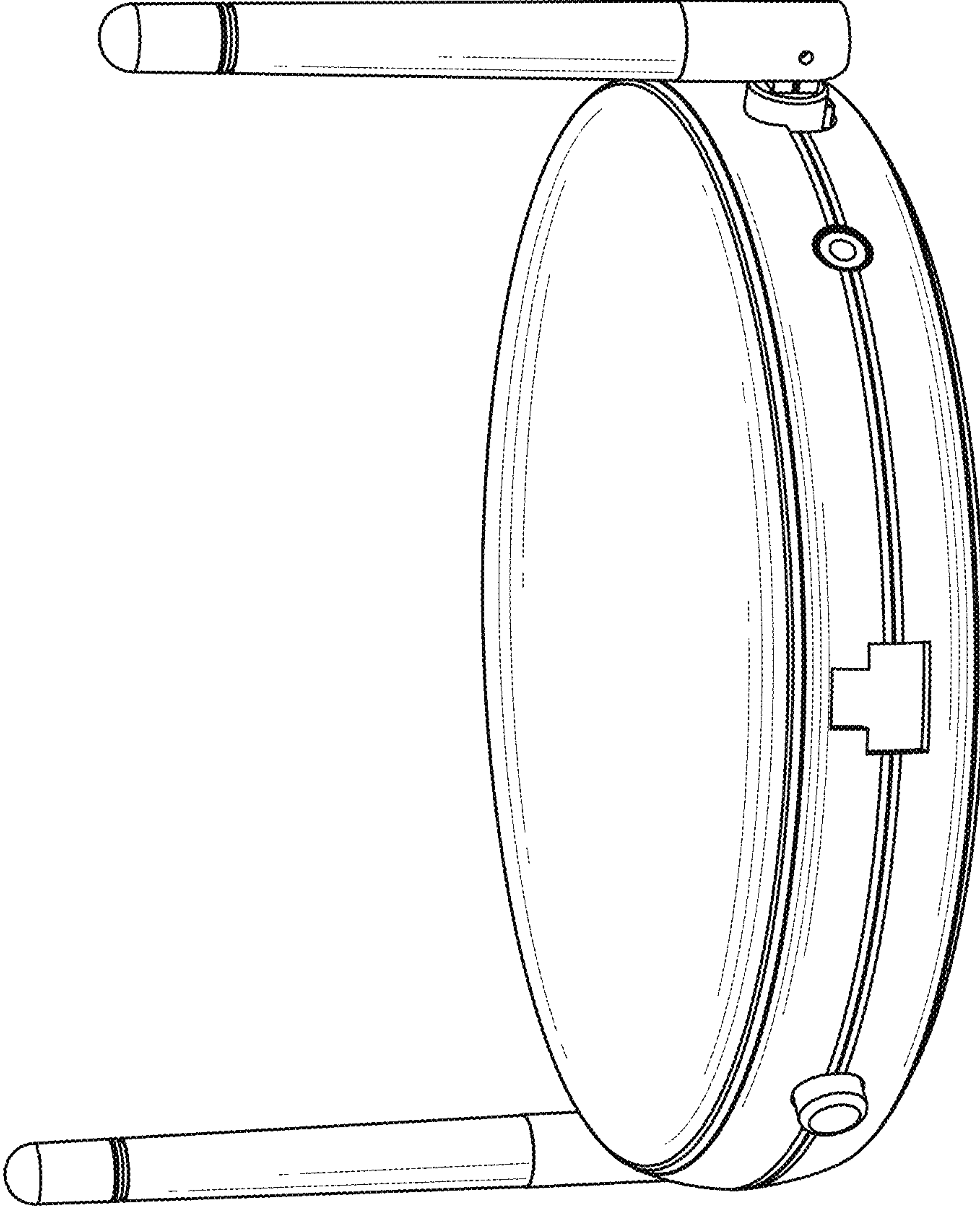


FIG. 1

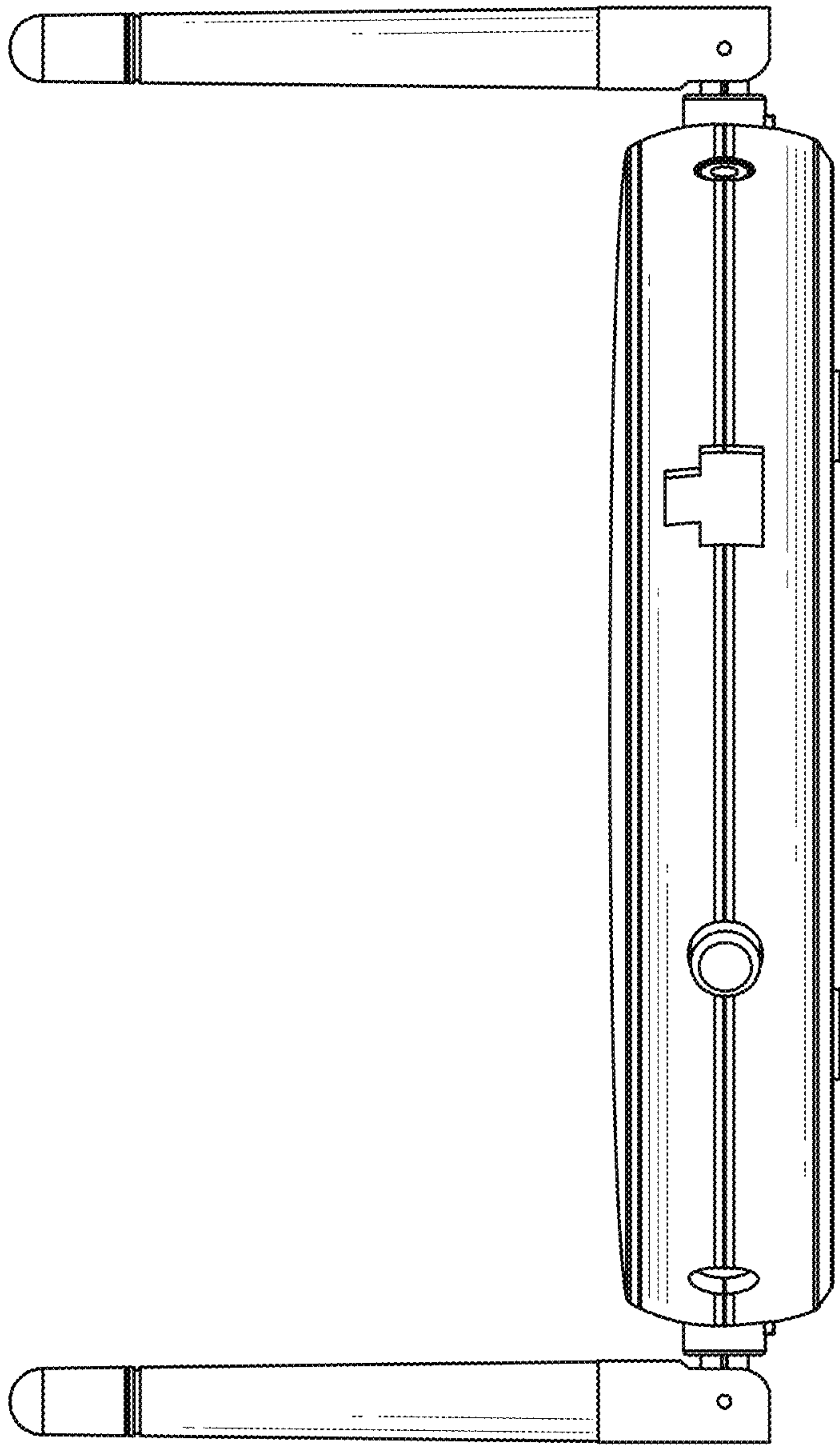


FIG. 2

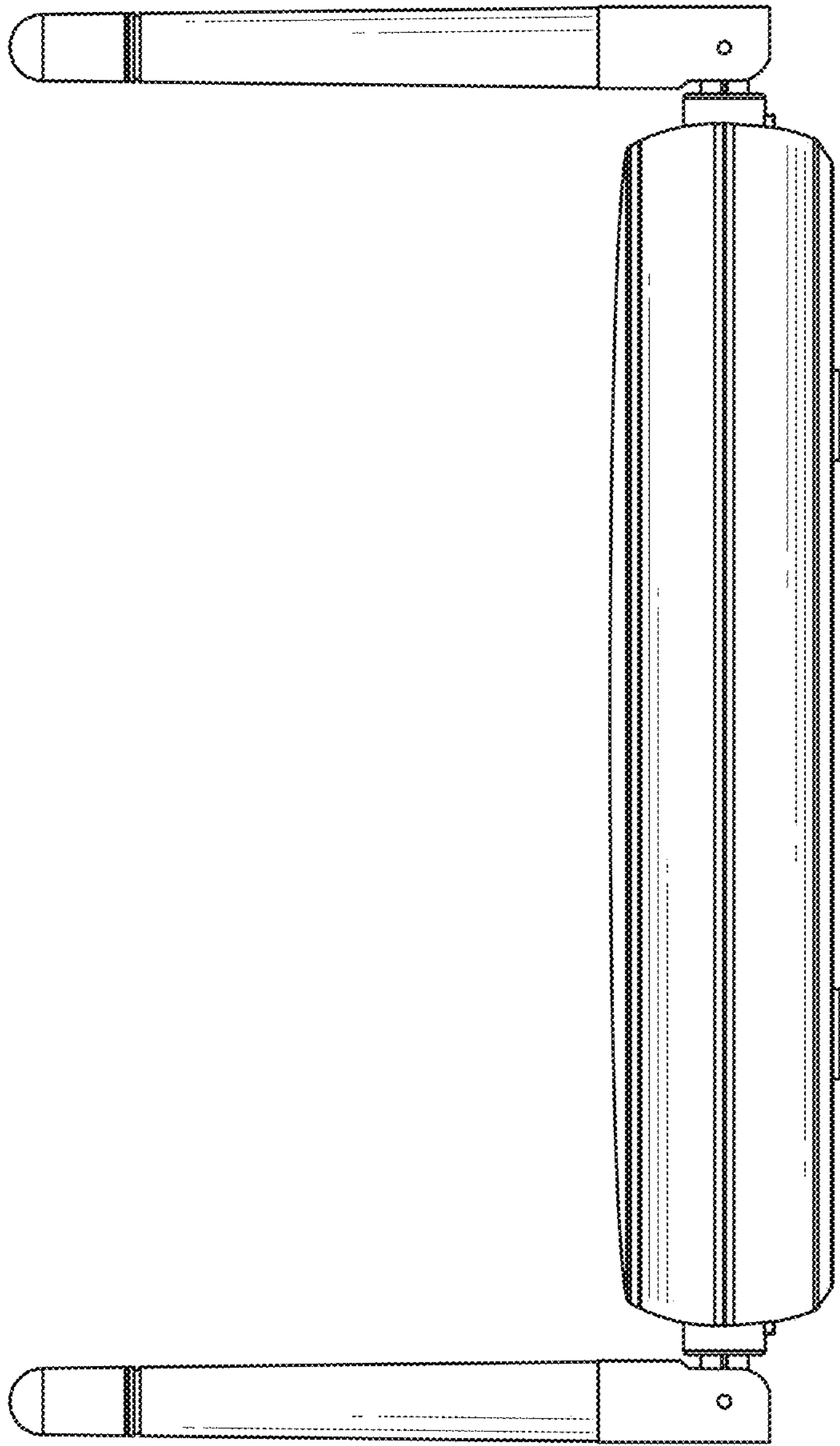


FIG. 3



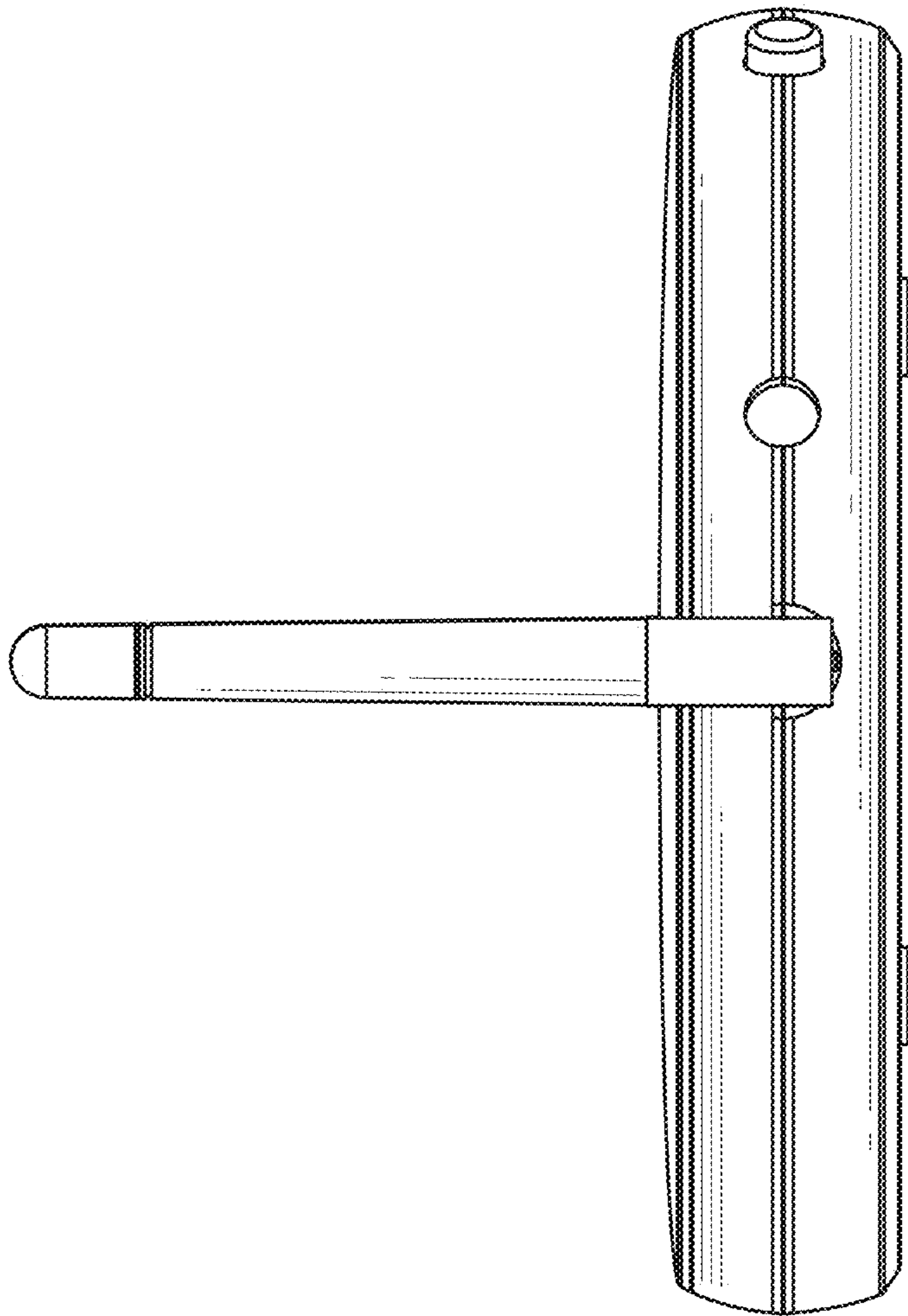


FIG. 4

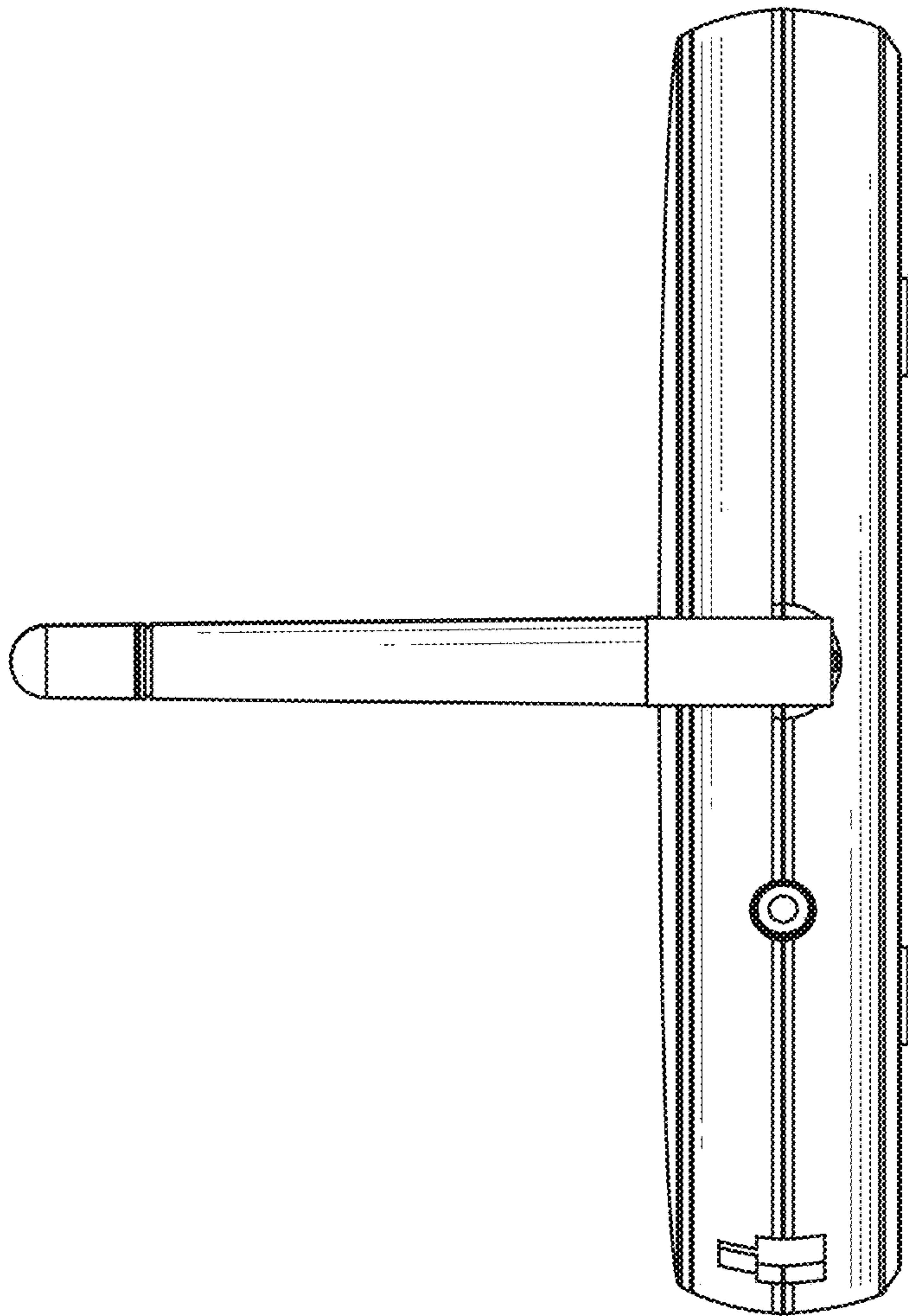


FIG. 5

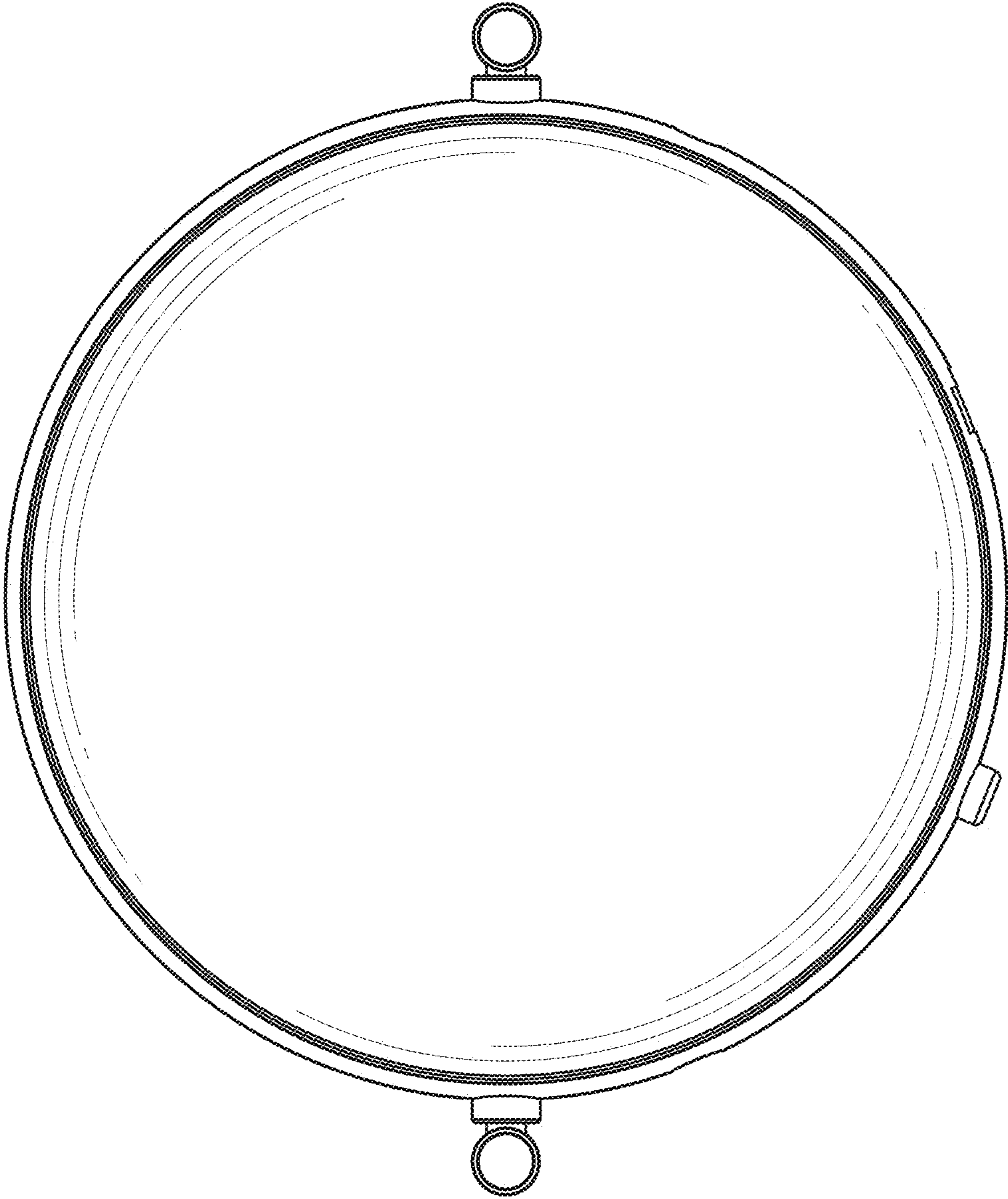


FIG. 6



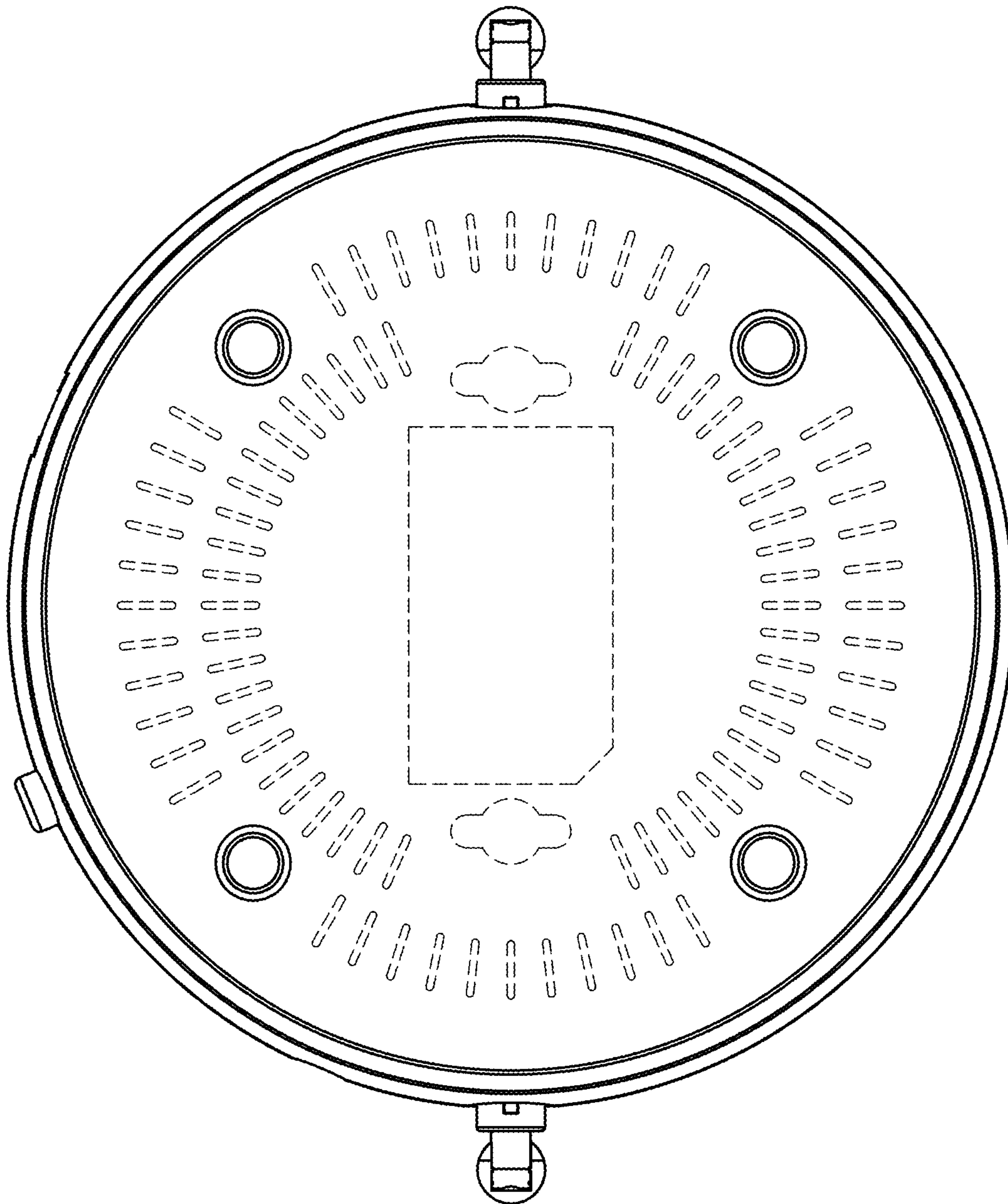


FIG. 7