



US00D910000S

(12) **United States Design Patent**
Zhou

(10) **Patent No.:** **US D910,000 S**

(45) **Date of Patent:** **** Feb. 9, 2021**

- (54) **TV ANTENNA**
- (71) Applicant: **Zhicheng Zhou**, Shenzhen (CN)
- (72) Inventor: **Zhicheng Zhou**, Shenzhen (CN)
- (**) Term: **15 Years**
- (21) Appl. No.: **29/702,218**
- (22) Filed: **Aug. 16, 2019**
- (51) **LOC (13) Cl.** **14-03**
- (52) **U.S. Cl.**
USPC **D14/230**
- (58) **Field of Classification Search**
USPC D14/138, 230–238, 299, 358; D12/42,
D12/43
CPC H01Q 7/00; H01Q 13/10; H01Q 9/285;
H01Q 19/30; H01Q 19/12; H01Q 1/38;
H01Q 1/36; H04B 1/0475; H04B 1/034;
H05K 11/00
See application file for complete search history.

8,018,394 B2 *	9/2011	Conrad	H01Q 19/30
				343/878
8,242,968 B2 *	8/2012	Conrad	H01Q 19/30
				343/878
D804,459 S *	12/2017	Feit	D14/230
D809,490 S *	2/2018	Feit	D14/230
D813,209 S *	3/2018	Johnson	D14/230
D842,281 S *	3/2019	Taeger	D14/230
D856,314 S *	8/2019	Yang	D14/230
D879,750 S *	3/2020	Yang	D14/230
D886,808 S *	6/2020	Yang	D14/230

* cited by examiner

Primary Examiner — John Windmuller
(74) *Attorney, Agent, or Firm* — Xuan Zhang

(57) **CLAIM**

The ornamental design for a TV antenna, as shown and described.

DESCRIPTION

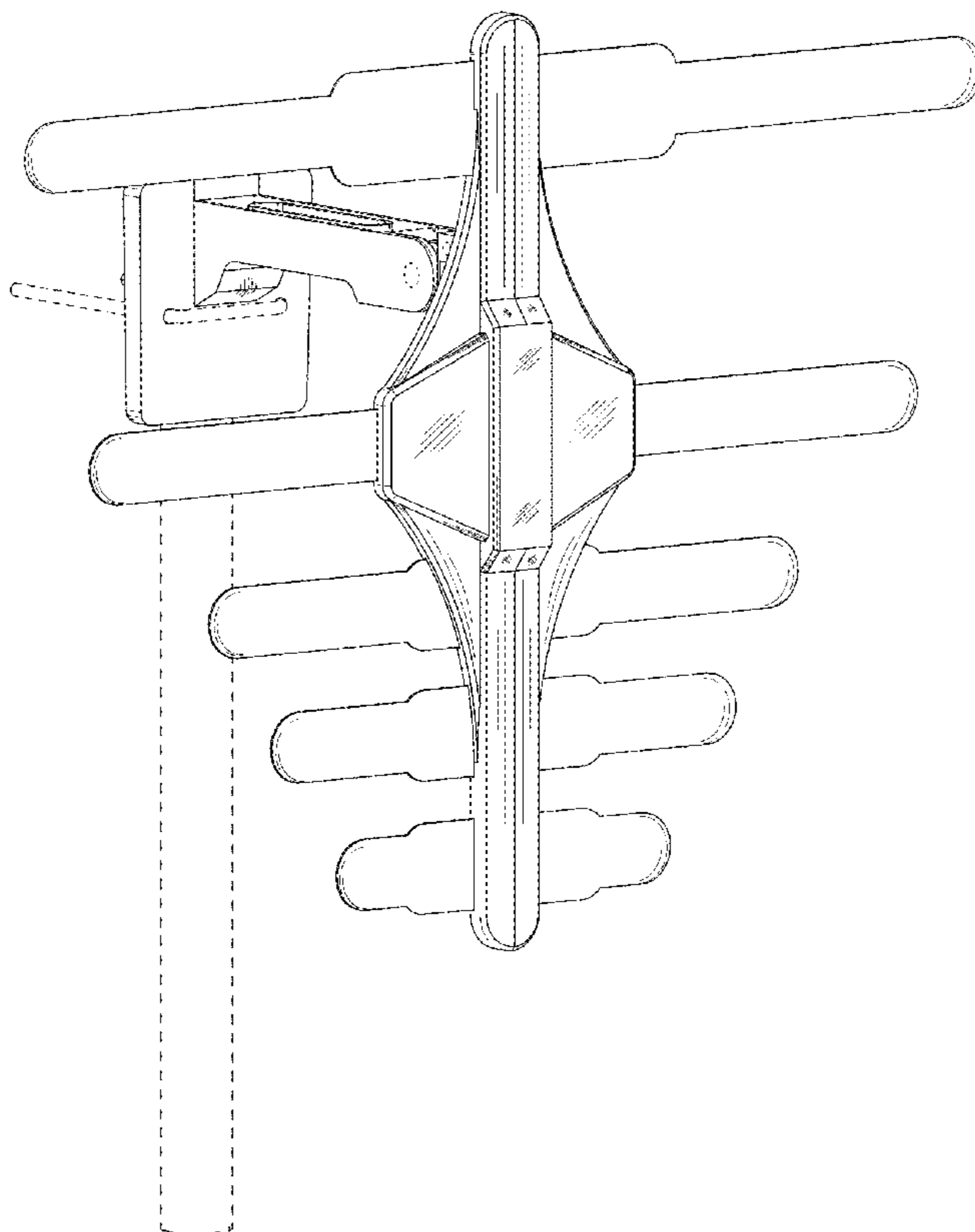
FIG. 1 is a front perspective view a TV antenna showing my new design;
 FIG. 2 is a rear perspective view thereof;
 FIG. 3 is a front elevation view thereof;
 FIG. 4 is a rear elevation view thereof;
 FIG. 5 is a top elevation view thereof;
 FIG. 6 is a bottom elevation view thereof;
 FIG. 7 is a left side elevation view thereof; and,
 FIG. 8 is a right side elevation view thereof.
 The broken lines in the figures depict portions of the TV antenna that form no part of the claimed design.

1 Claim, 8 Drawing Sheets

(56) **References Cited**

U.S. PATENT DOCUMENTS

D209,969 S *	1/1968	Greenberg	D14/230
D210,025 S *	1/1968	Kleinberg et al.	D14/230
D480,387 S *	10/2003	Burns	H01Q 9/28
				D14/230
D520,499 S *	5/2006	Nagatomi	D14/233
D546,323 S *	7/2007	Van Buren	D14/230
D612,370 S *	3/2010	Suleiman	D14/234



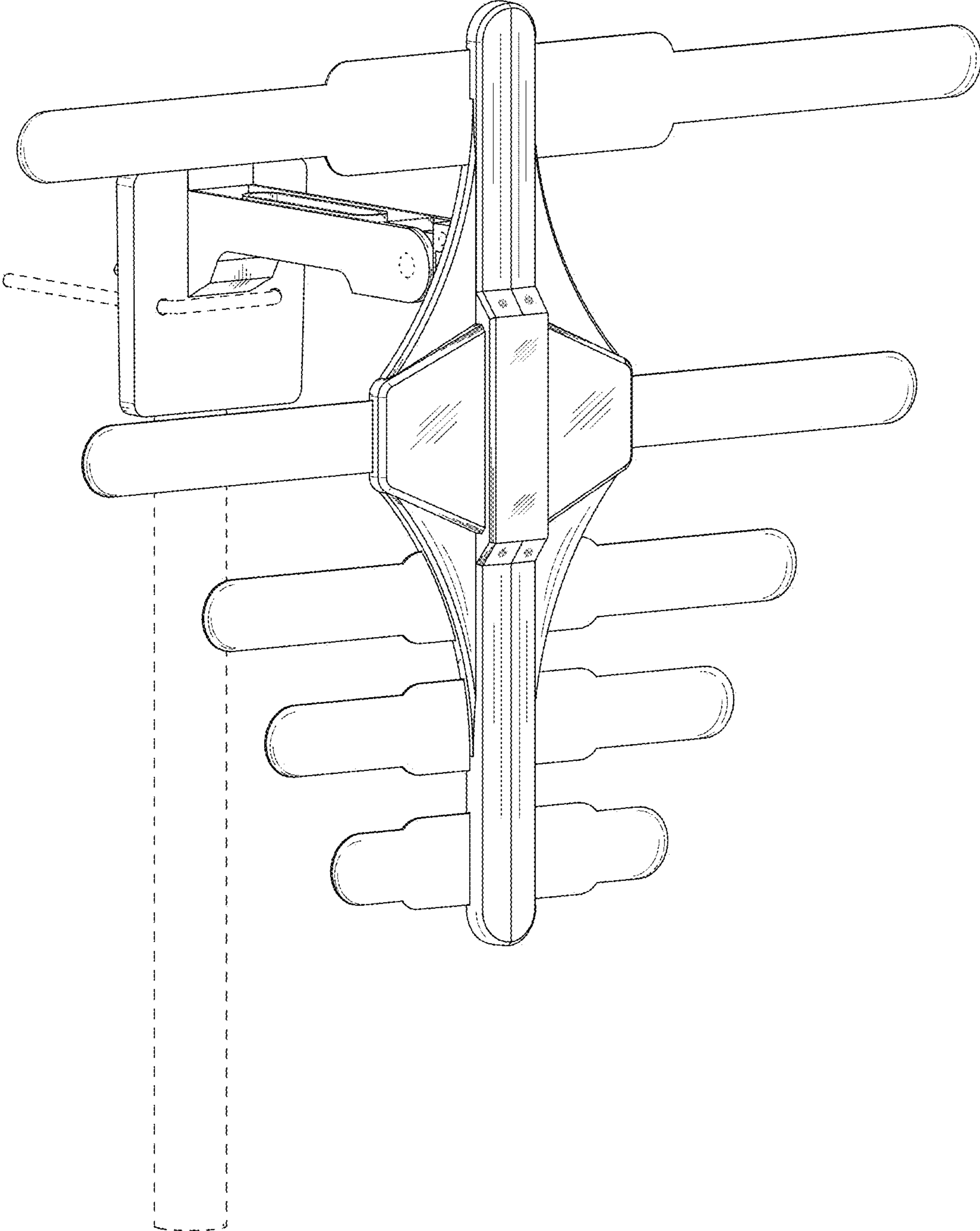


FIG. 1

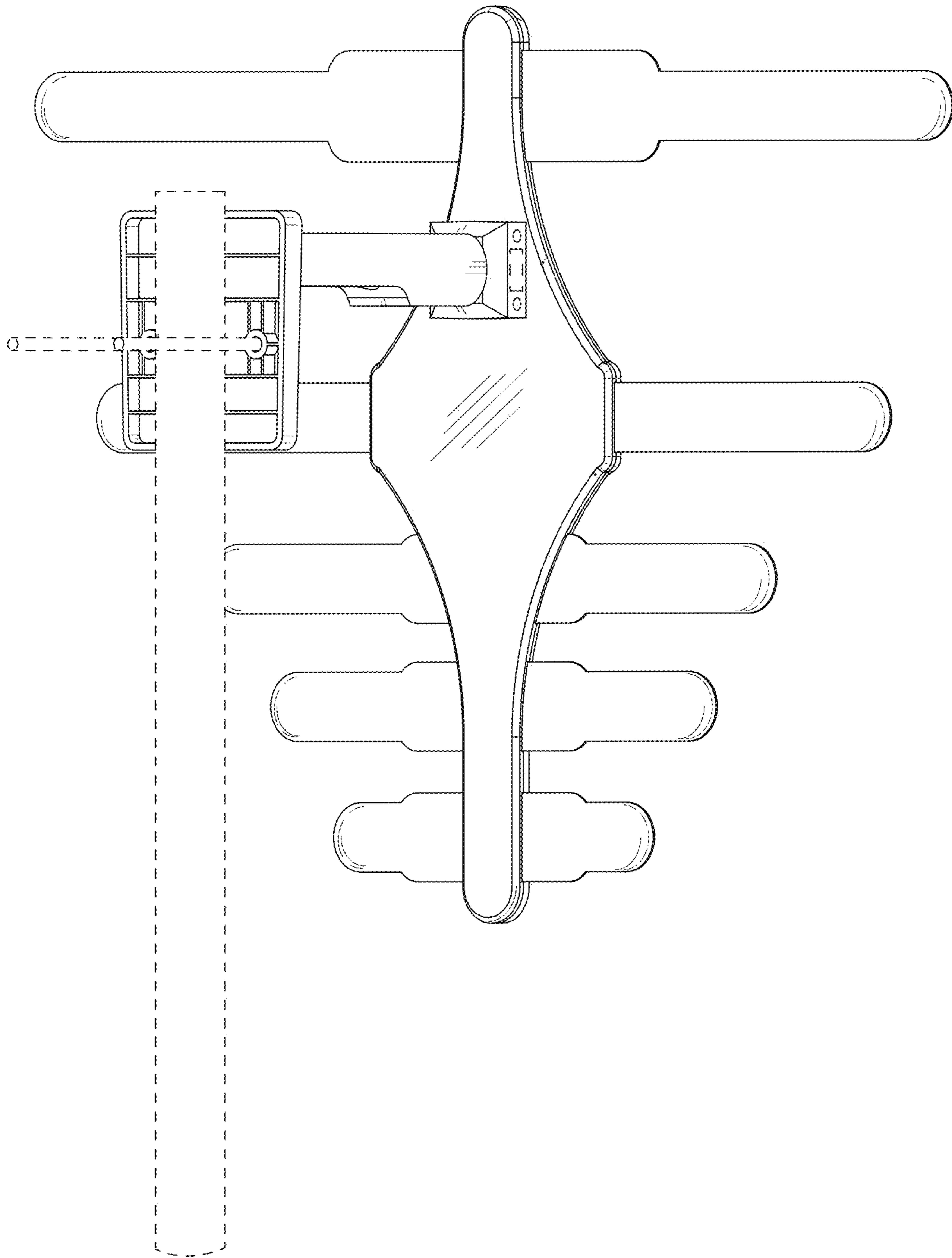


FIG. 2

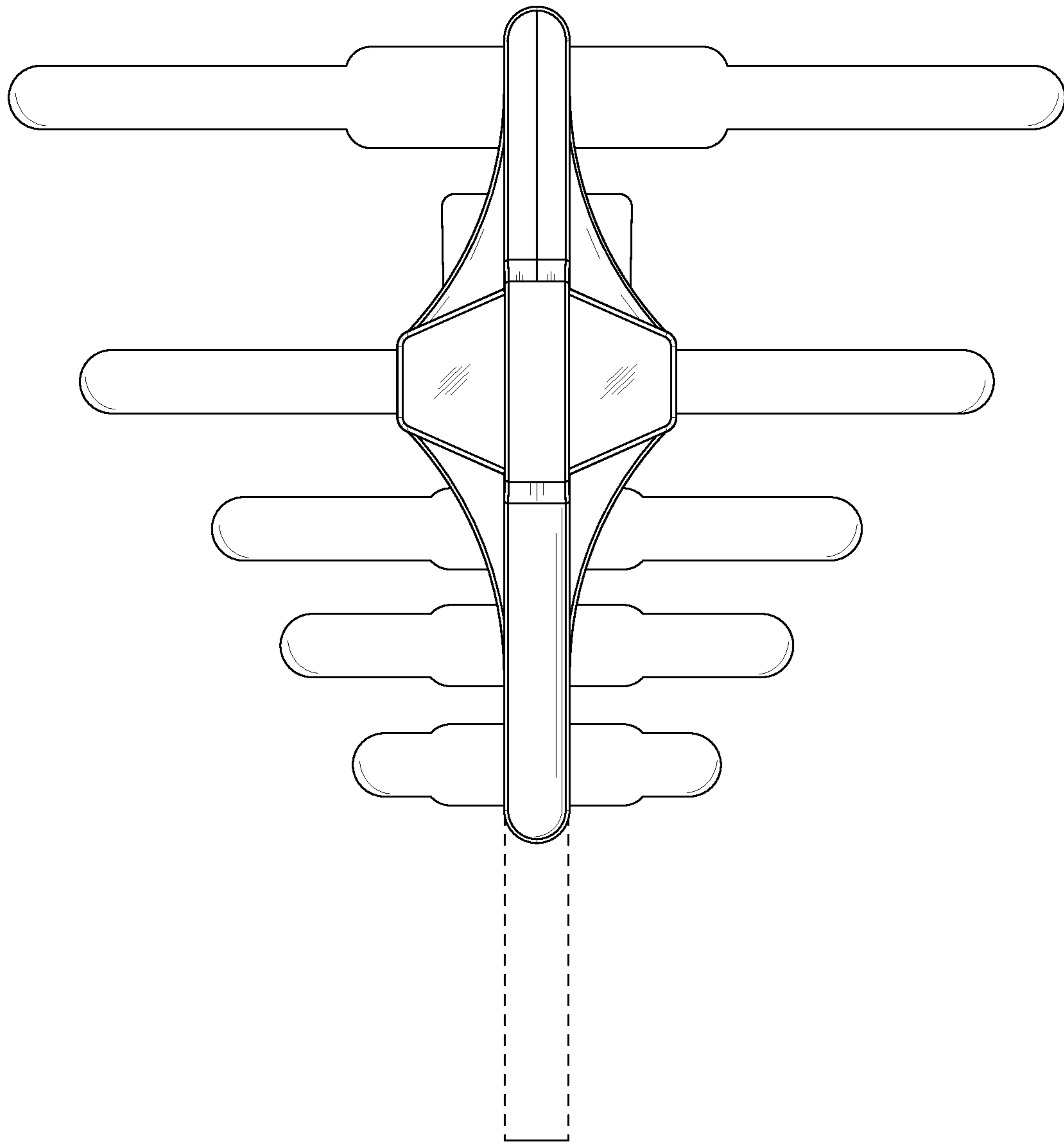


FIG. 3

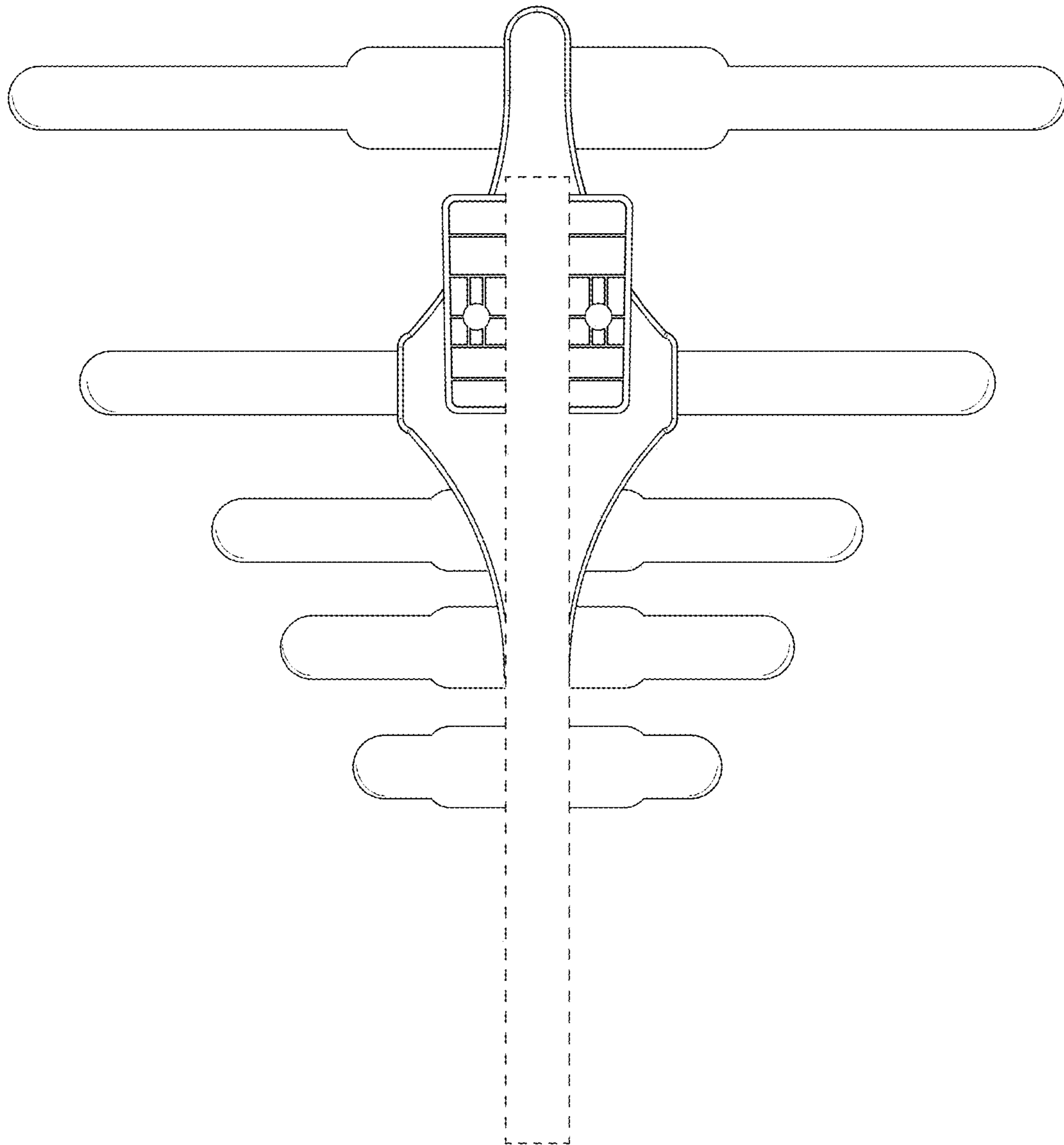


FIG. 4

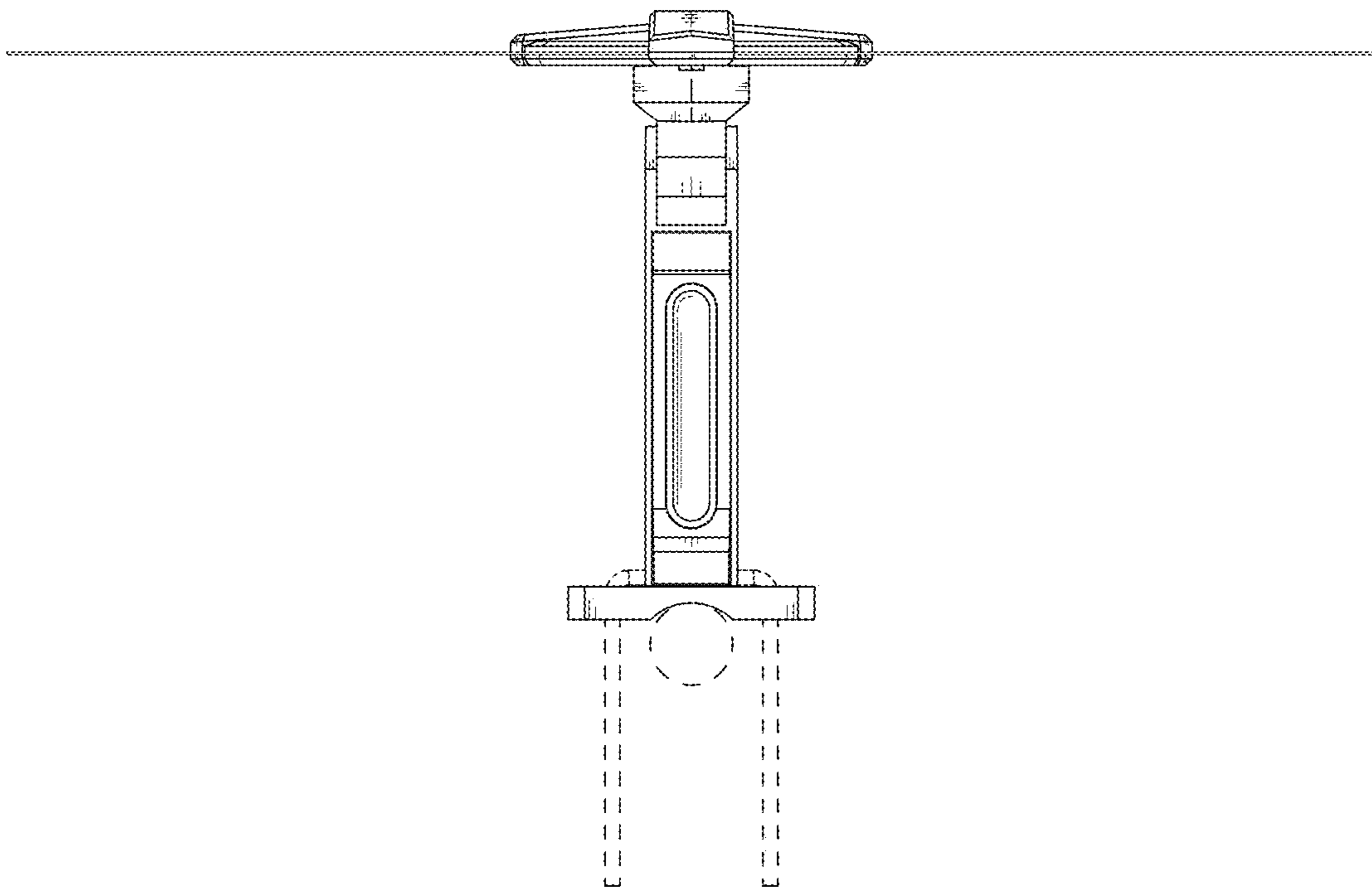


FIG. 5

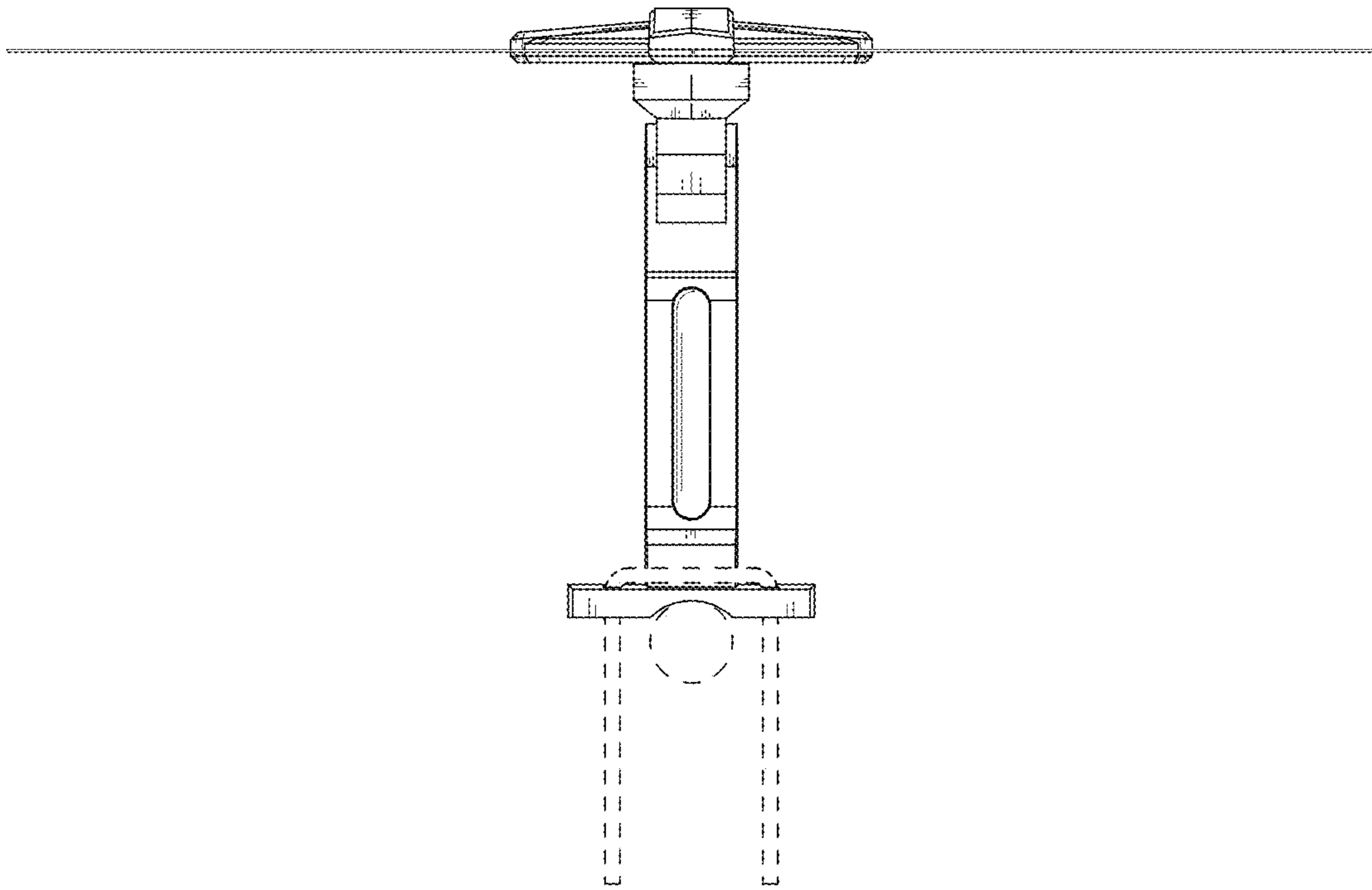


FIG. 6

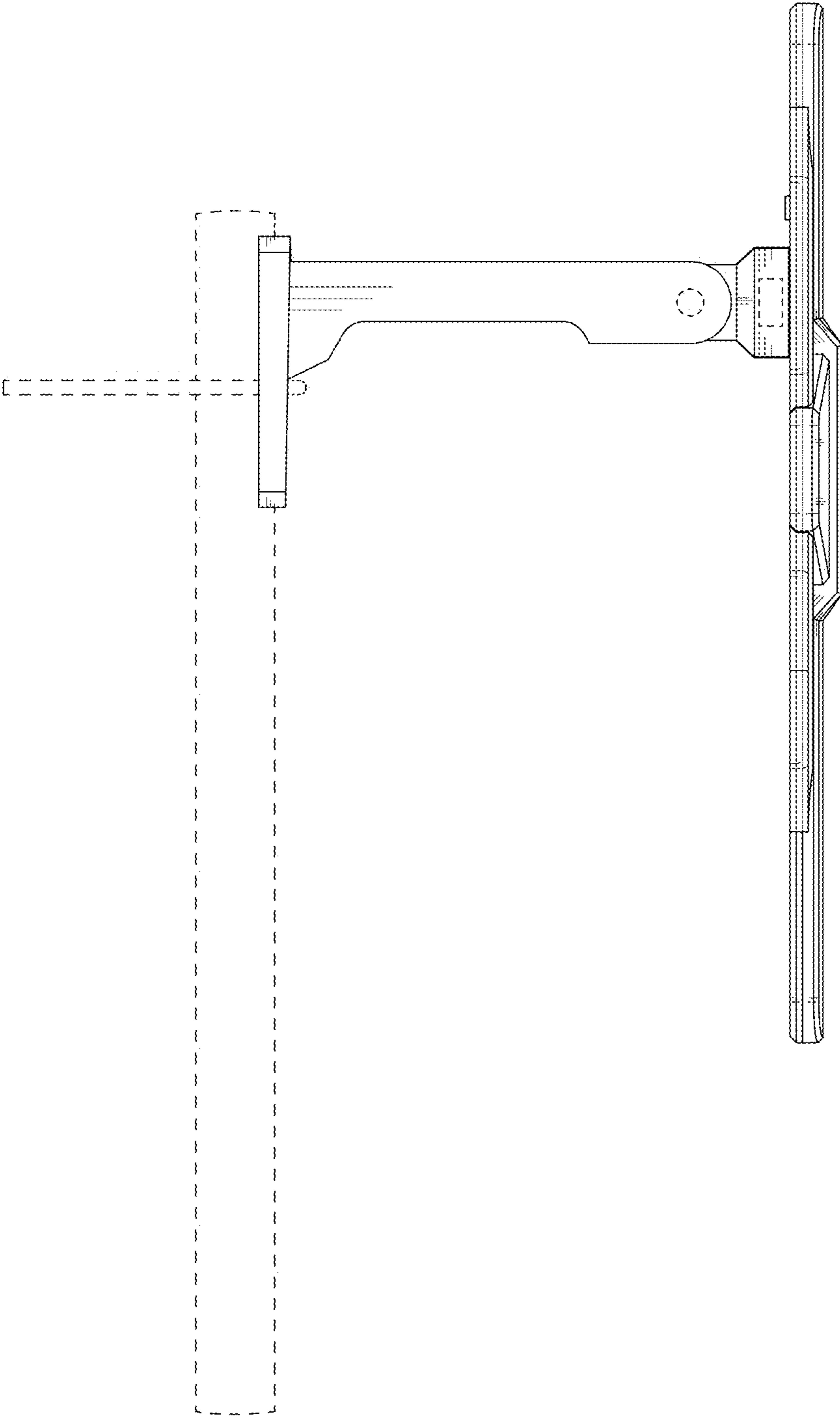


FIG. 7

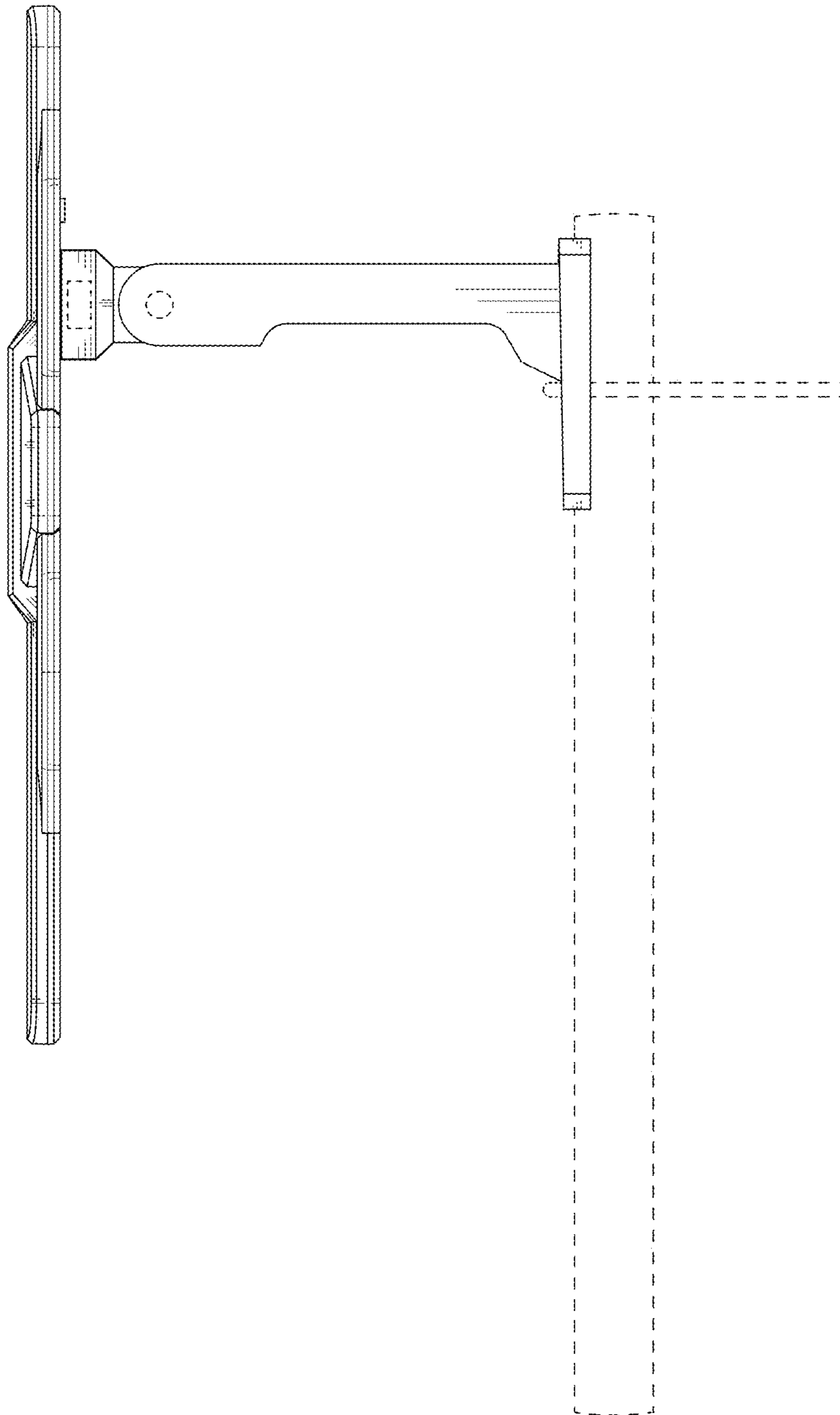


FIG. 8