



US00D909998S

(12) **United States Design Patent** (10) **Patent No.:** **US D909,998 S**
Du (45) **Date of Patent:** **** Feb. 9, 2021**

(54) **EARPHONES**
(71) Applicant: **DONGGUAN PINMI ELECTRONIC TECHNOLOGY CO., LTD**, Dongguan (CN)
(72) Inventor: **Zhanyuan Du**, Kaifeng (CN)
(73) Assignee: **DONGGUAN PINMI ELECTRONIC TECHNOLOGY CO., LTD**, Dongguan (CN)
(**) Term: **15 Years**

D666,580 S * 9/2012 Lee D14/223
8,625,834 B2 * 1/2014 Smith H04R 1/105
381/380
D712,383 S * 9/2014 McNamara D14/223
8,831,266 B1 * 9/2014 Huang H04R 1/2811
381/380
8,897,480 B2 * 11/2014 Tan H04R 1/1058
381/380
D743,948 S * 11/2015 Crawford D14/223
D750,600 S * 3/2016 Crawford D14/223
D754,638 S * 4/2016 Krissman D14/223
D788,079 S * 5/2017 Son D14/223
D800,703 S * 10/2017 Vaclavik D14/223

(Continued)

(21) Appl. No.: **29/747,463**
(22) Filed: **Aug. 23, 2020**
(30) **Foreign Application Priority Data**
Apr. 9, 2020 (CN) 2020 3 0137470
(51) **LOC (13) Cl.** **14-01**
(52) **U.S. Cl.**
USPC **D14/223**
(58) **Field of Classification Search**
USPC D14/223, 205; D13/107, 108; D24/174;
455/90.3, 575.1, 569.1
CPC H04R 1/10; H04R 25/00; H04R 1/1066;
H04R 1/1016; H04R 5/033; H04R
5/0335; H04R 1/105; H04R 1/1008;
H04R 1/1091; H04R 1/1083; A61F 11/08;
A61F 11/12; A61F 11/10
See application file for complete search history.

FOREIGN PATENT DOCUMENTS

CN 305296643 * 8/2019
CN 305446698 * 11/2019

(Continued)

Primary Examiner — Paula Allen Greene

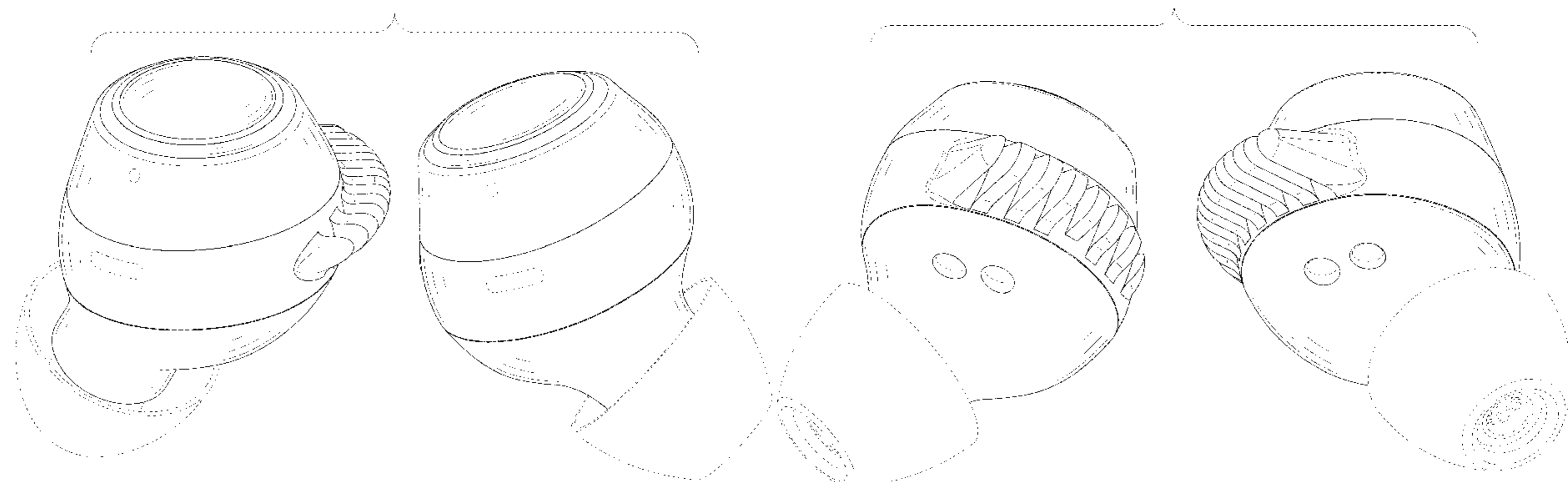
(57) **CLAIM**

The ornamental design for earphones, as shown and described.

DESCRIPTION

FIG. 1 is a perspective view of earphones showing my new design;
FIG. 2 is another perspective view thereof;
FIG. 3 is a front elevational view thereof;
FIG. 4 is a rear elevational view thereof;
FIG. 5 is a left side elevational view thereof;
FIG. 6 is a right side elevational view thereof;
FIG. 7 is a top plan view thereof;
FIG. 8 is a bottom plan view thereof; and,
FIG. 9 is a perspective of the earphones where the earphones are received in a charging case.
The broken lines in the drawings depict portions of the earphones that form no part of the claimed design.

1 Claim, 9 Drawing Sheets



(56)

References Cited

U.S. PATENT DOCUMENTS

D822,646 S * 7/2018 Dang D14/223
 D828,825 S * 9/2018 Samrelius D14/223
 D841,626 S * 2/2019 Tang D14/223
 D841,627 S * 2/2019 Wen D14/223
 10,206,026 B2 * 2/2019 Yeung H01Q 1/48
 D842,844 S * 3/2019 Li D14/223
 D845,282 S * 4/2019 Chen D14/223
 D845,932 S * 4/2019 Lu D14/223
 D860,975 S * 9/2019 Briggs D14/223
 D863,260 S * 10/2019 Zheng D14/223
 D864,167 S * 10/2019 Wu D14/223
 D864,919 S * 10/2019 Bonahoom D14/223
 D868,752 S * 12/2019 Zhu D14/223
 D870,079 S * 12/2019 Yun D14/223
 D870,708 S * 12/2019 Lindenberger D14/223
 D871,374 S * 12/2019 Karayiannis D14/223
 D871,376 S * 12/2019 Zhou D14/223
 D872,060 S * 1/2020 Briggs D14/223
 D872,063 S * 1/2020 Arimoto D14/223
 D872,064 S * 1/2020 Cai D14/223
 D873,248 S * 1/2020 Weicheng D14/223
 D873,805 S * 1/2020 Yang D14/223
 D875,719 S * 2/2020 Wen D14/223
 D876,398 S * 2/2020 Cai D14/223
 D877,720 S * 3/2020 Madramotoo D14/223
 D881,164 S * 4/2020 Luo D14/223

D882,553 S 4/2020 Wu
 D889,441 S * 7/2020 Lin D14/223
 D892,085 S * 8/2020 Kim D14/223
 D892,086 S 8/2020 Bonahoom et al.
 D892,088 S * 8/2020 Briggs D14/223
 D895,580 S * 9/2020 Yu D14/223
 D895,581 S * 9/2020 Wu D14/223
 D896,205 S * 9/2020 Zhang D14/223
 D897,322 S * 9/2020 Wei D14/223
 D899,405 S * 10/2020 Vaclavik D14/223
 D900,064 S * 10/2020 Laffon de Mazieres D14/223
 D902,182 S * 11/2020 Wang D14/223
 10,827,249 B1 * 11/2020 Pine H04R 1/1025
 2017/0026738 A1 * 1/2017 Tang H04R 1/1091
 2017/0094384 A1 * 3/2017 Trainer H04R 1/105
 2018/0077484 A1 * 3/2018 Yeung H04R 1/1075
 2018/0103321 A1 * 4/2018 Seo H04R 1/1041
 2018/0160216 A1 * 6/2018 Dominijanni H04R 1/1066
 2019/0200112 A1 * 6/2019 Briggs H04R 1/1016
 2020/0021905 A1 * 1/2020 Briggs H04R 1/1016

FOREIGN PATENT DOCUMENTS

CN 306078620 * 9/2020
 CN 306128859 * 10/2020
 EM 008025118-0007 * 6/2020
 EM 008173108-0004 * 9/2020

* cited by examiner

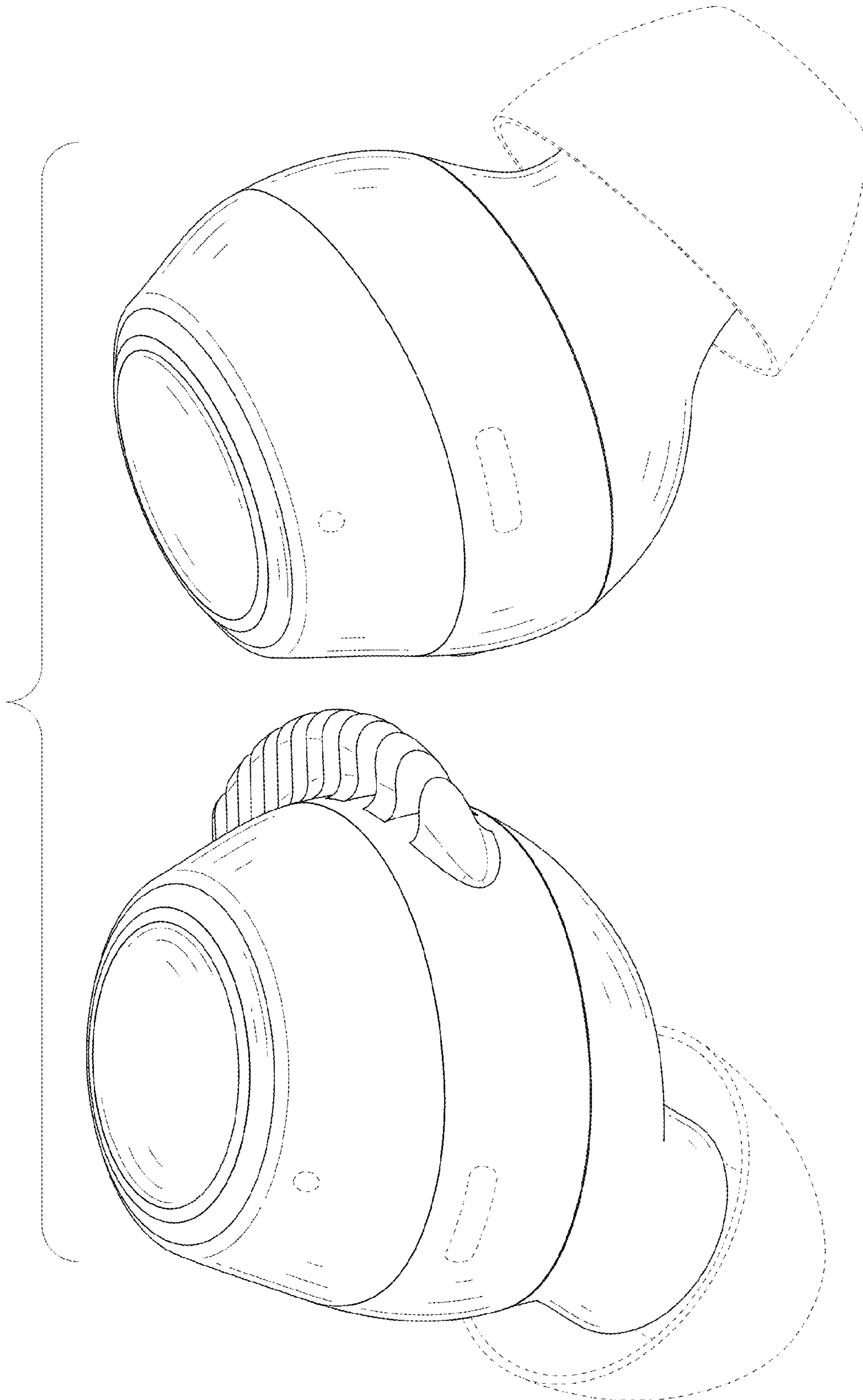


FIG. 1

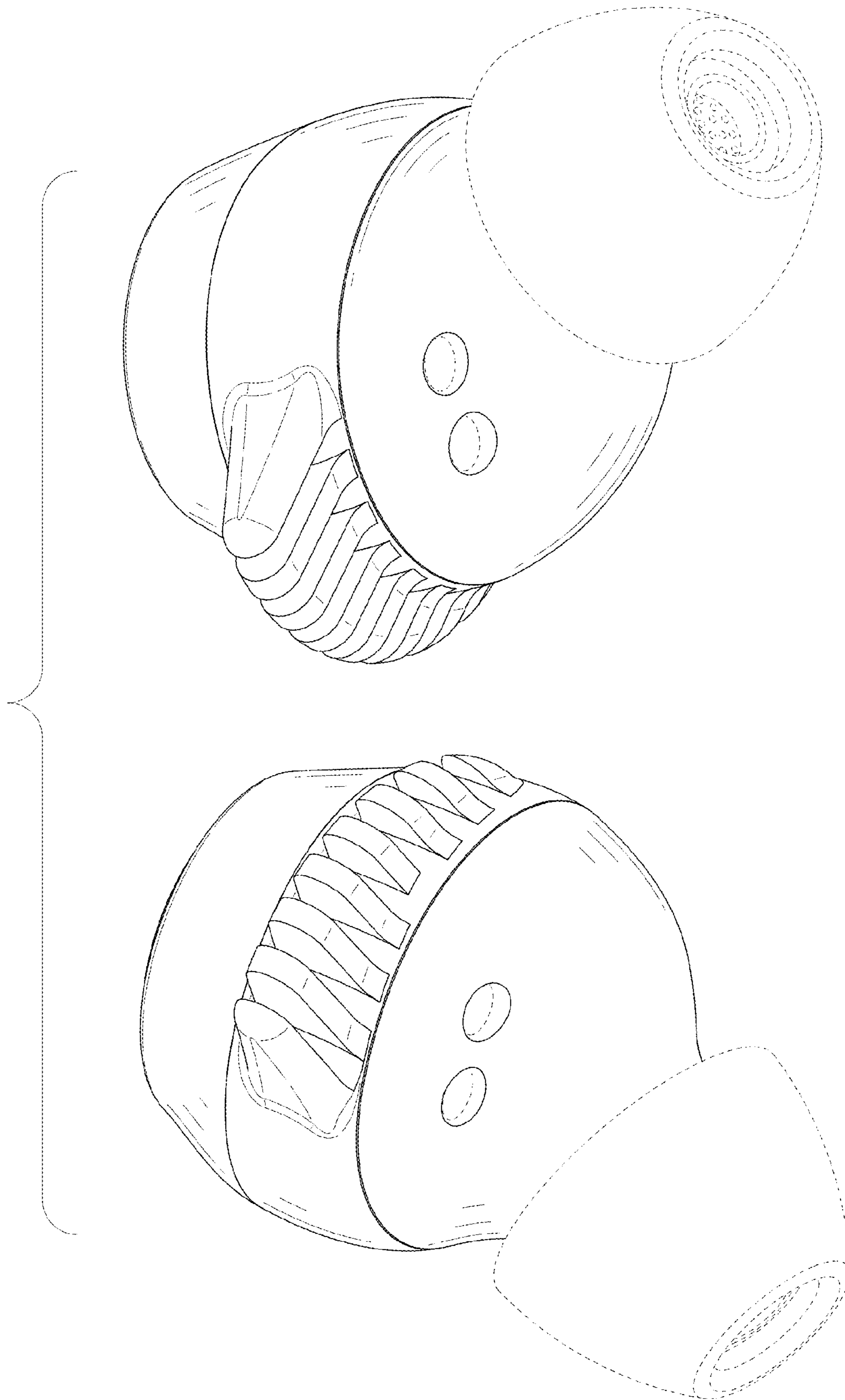


FIG. 2

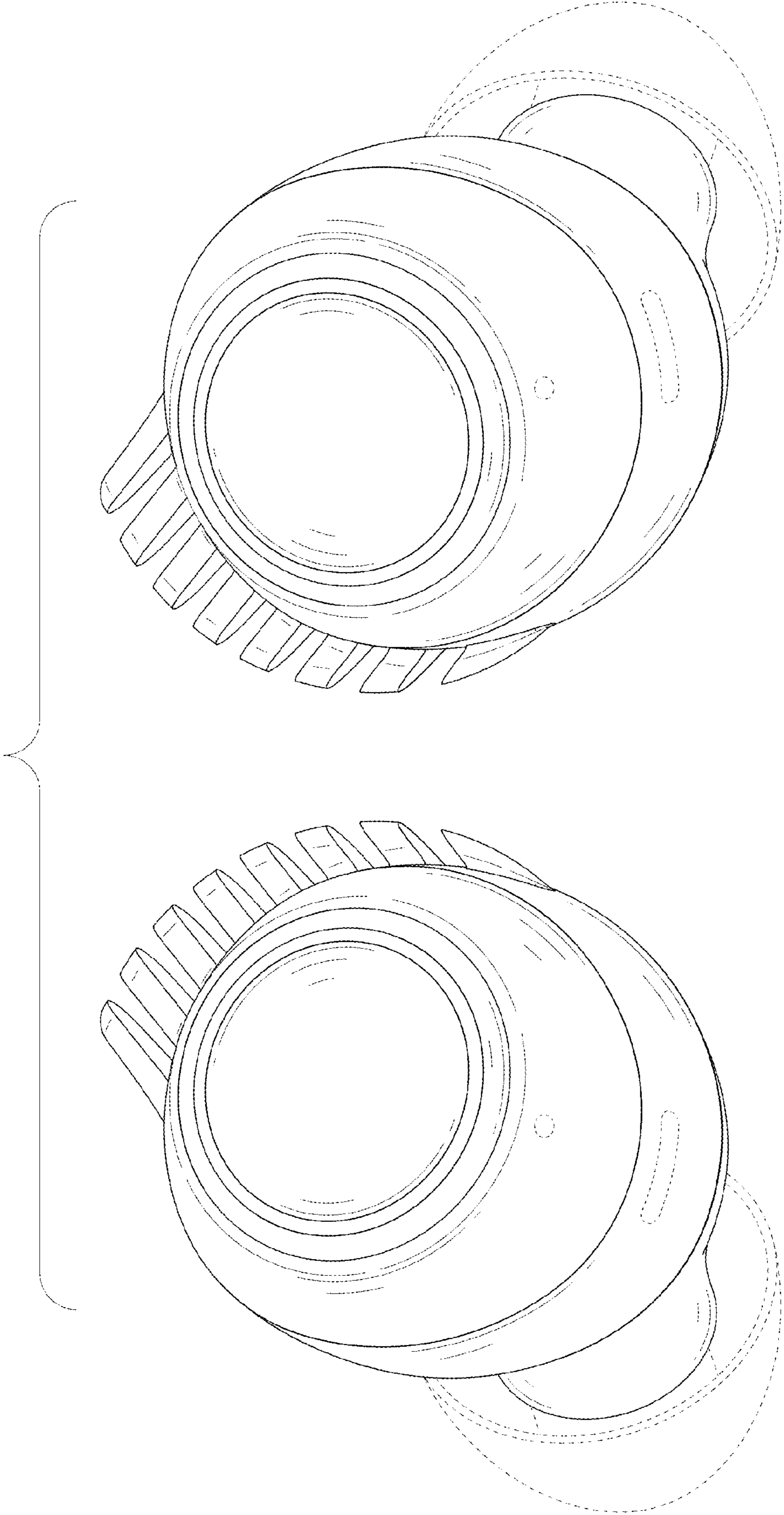


FIG. 3

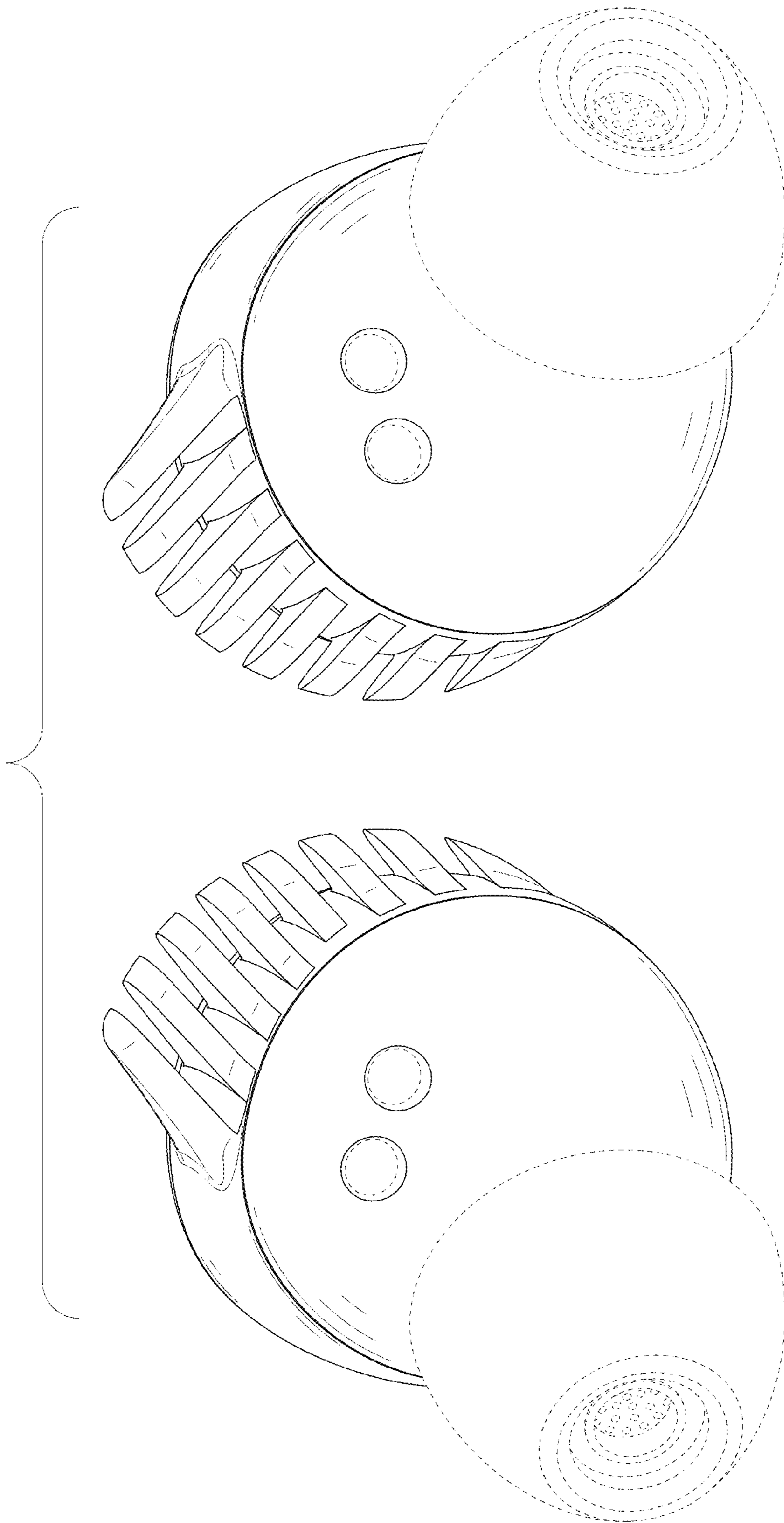


FIG. 4

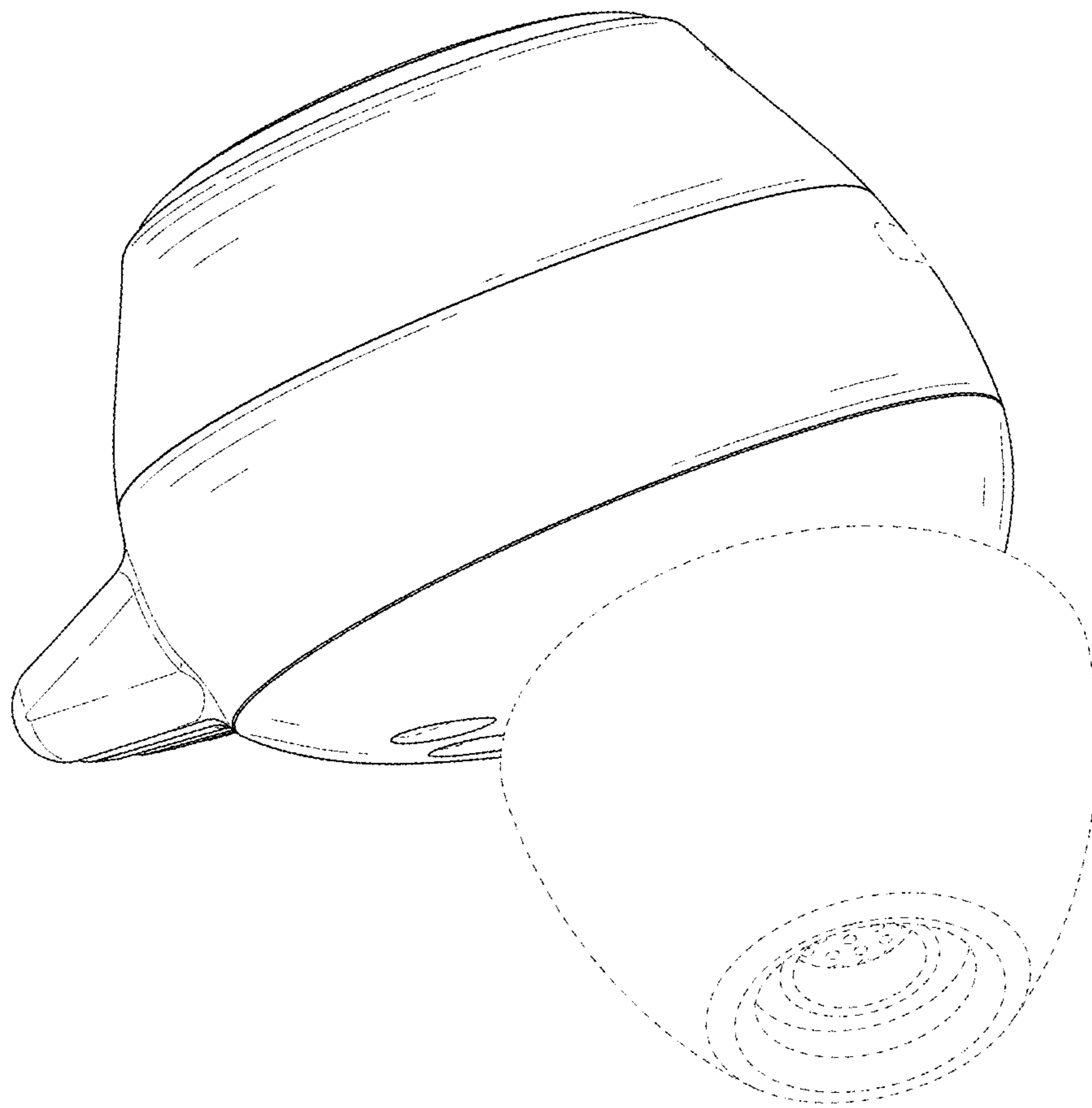


FIG. 5

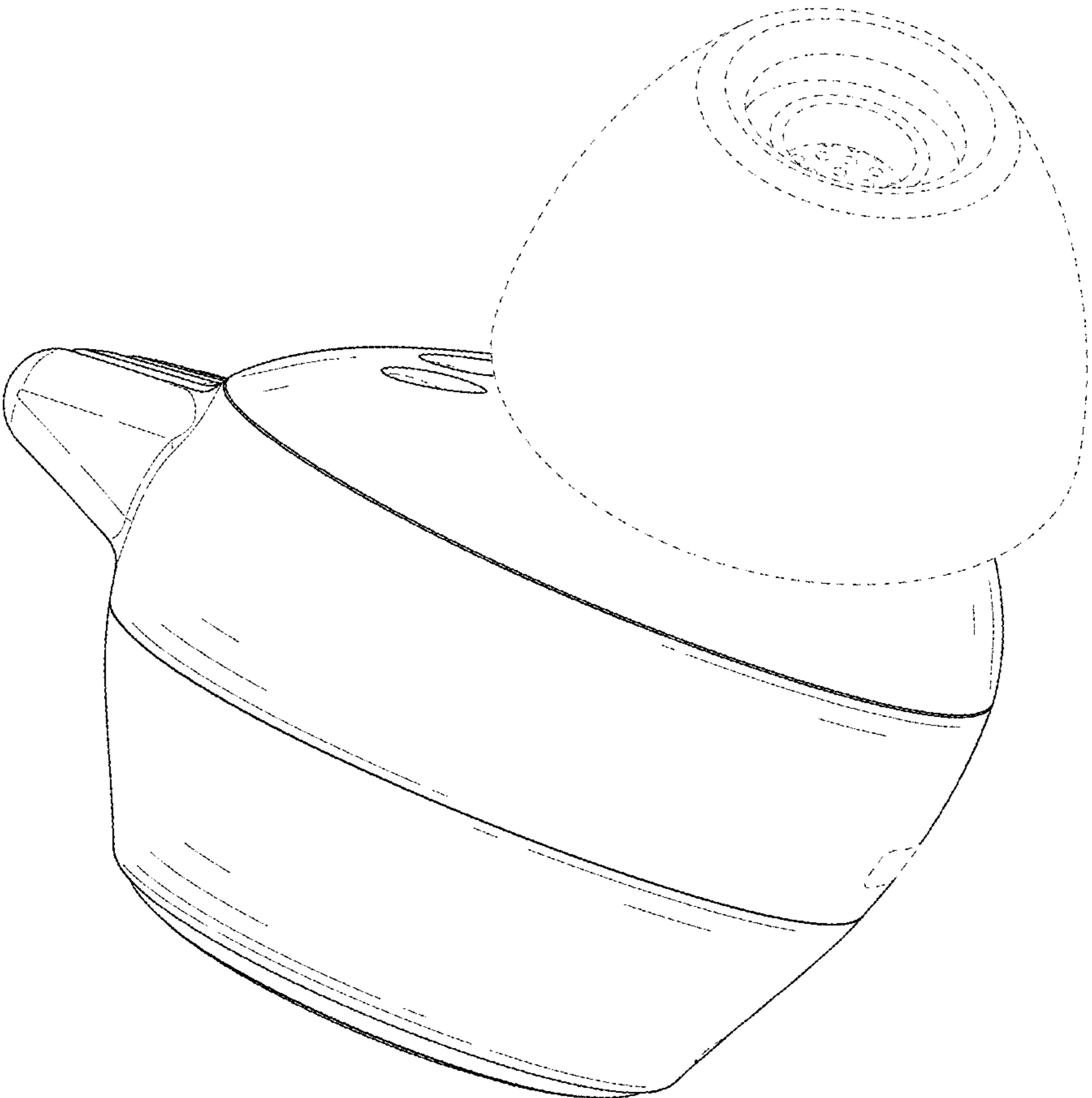


FIG. 6

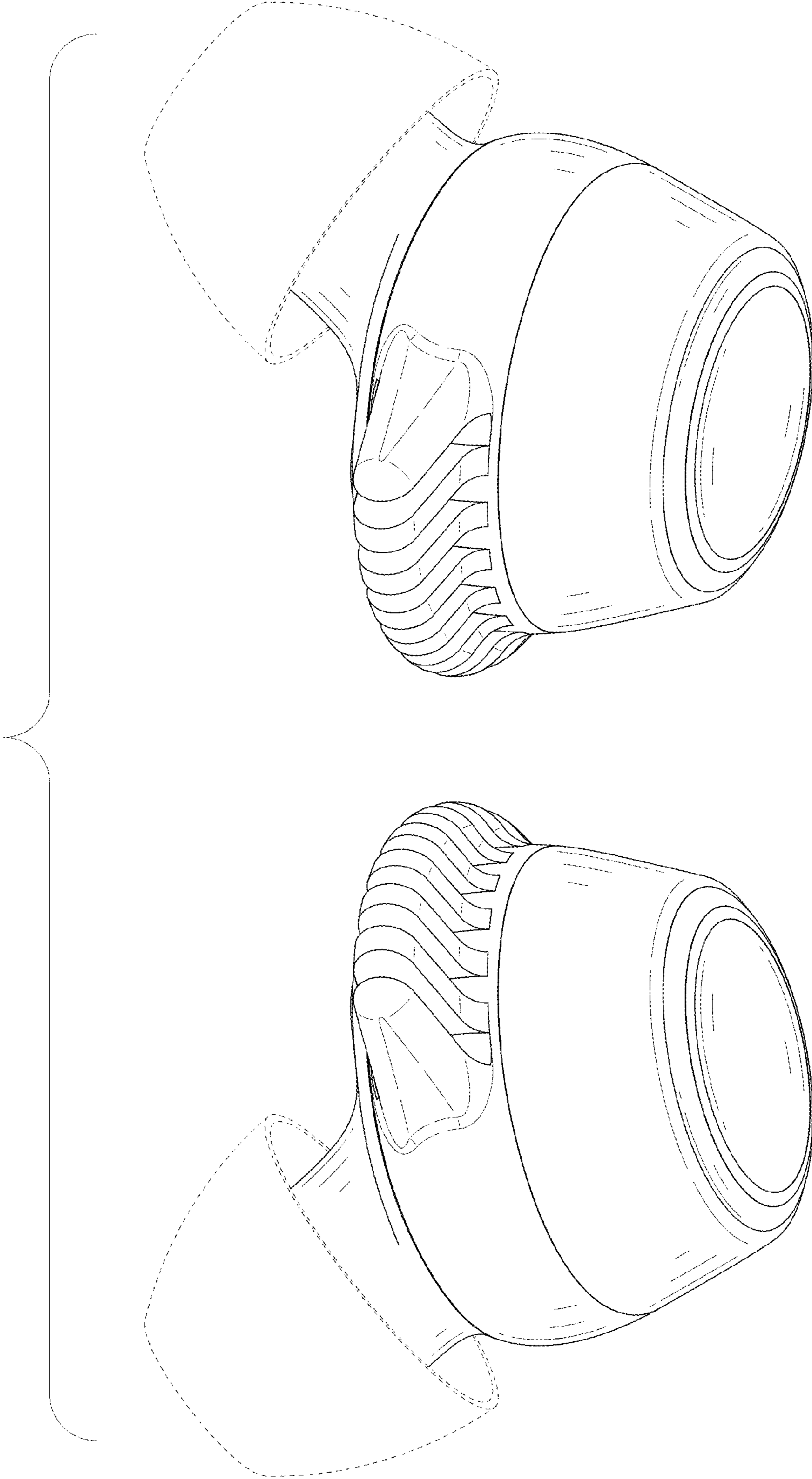


FIG. 7

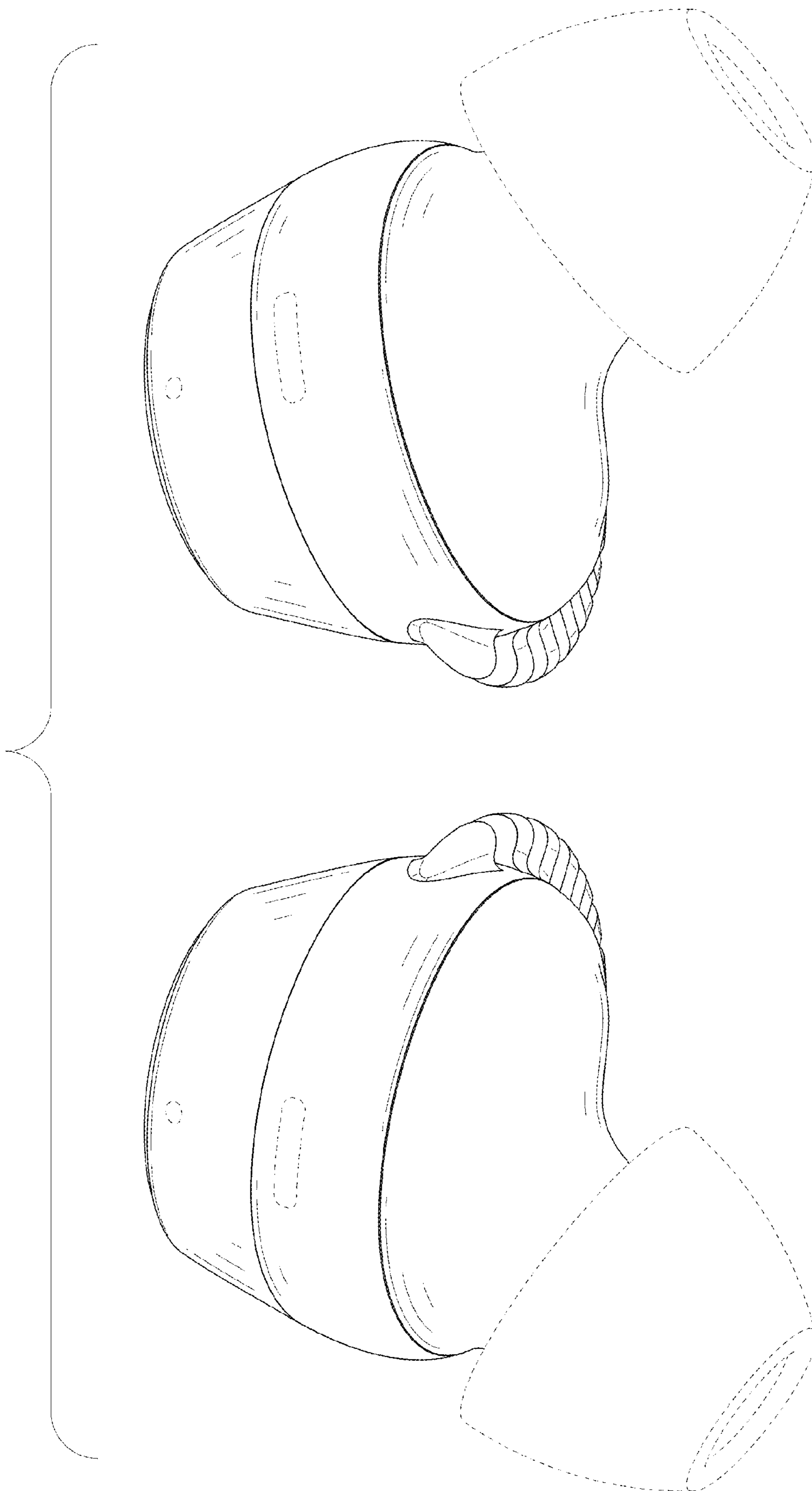


FIG. 8

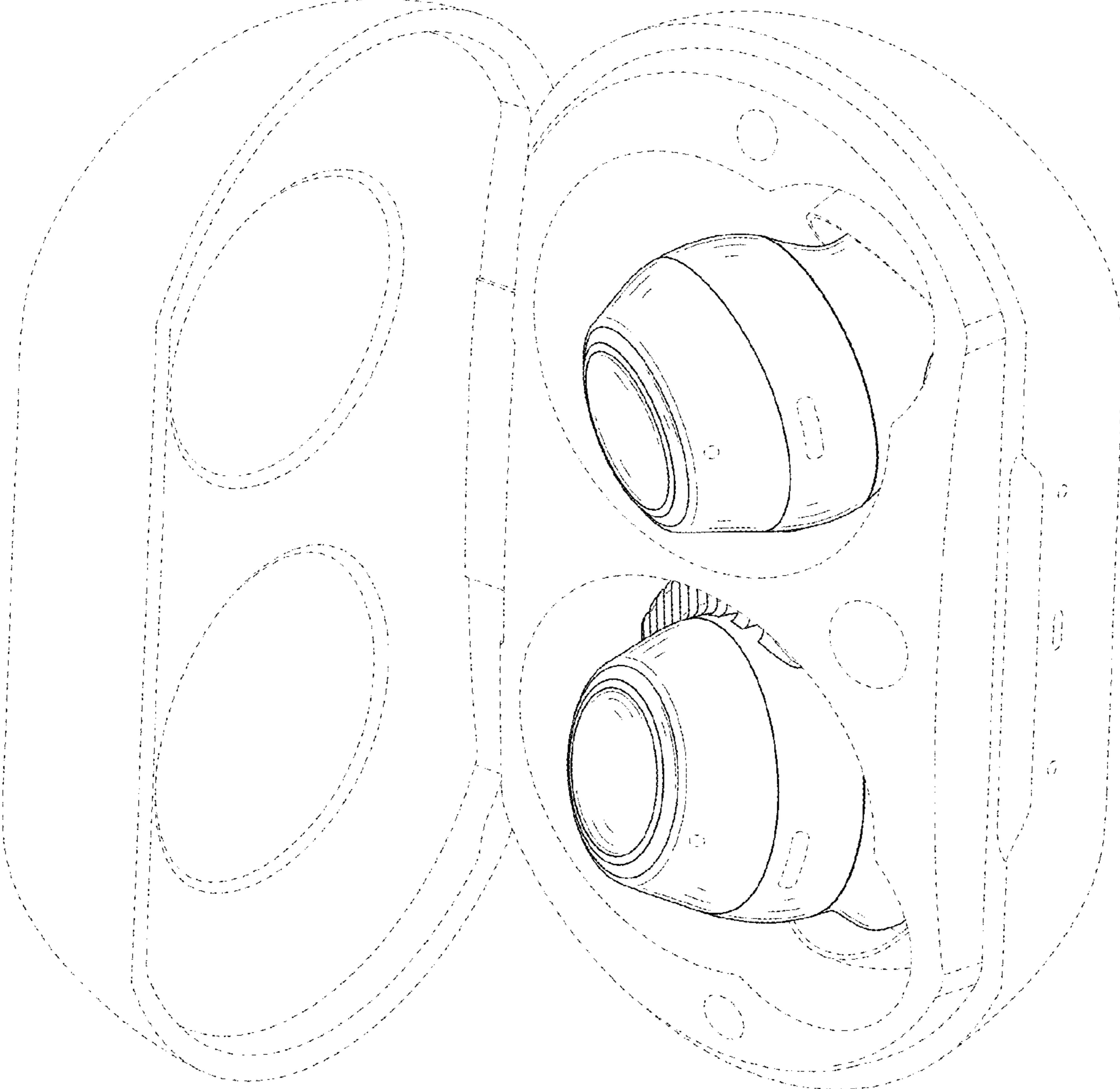


FIG. 9