



US00D909996S

(12) **United States Design Patent** (10) **Patent No.:** **US D909,996 S**  
**Zhang et al.** (45) **Date of Patent:** **\*\* Feb. 9, 2021**

(54) **BONE CONDUCTION HEADPHONE**

(71) Applicant: **SHENZHEN VOXTECH CO., LTD.**,  
Guangdong (CN)

(72) Inventors: **Haofeng Zhang**, Shenzhen (CN);  
**Hengnan Dai**, Shenzhen (CN);  
**Mingmin Wang**, Shenzhen (CN); **Lei**  
**Zhong**, Shenzhen (CN); **Xin Yu**,  
Shenzhen (CN)

(73) Assignee: **SHENZHEN VOXTECH CO., LTD.**,  
Shenzhen (CN)

(\*\*) Term: **15 Years**

(21) Appl. No.: **29/697,260**

(22) Filed: **Jul. 5, 2019**

(30) **Foreign Application Priority Data**

Jan. 5, 2019	(CN)	2019 3 0005439
Jan. 5, 2019	(CN)	2019 3 0005440
Jan. 5, 2019	(CN)	2019 3 0005446
Jan. 5, 2019	(CN)	2019 3 0005456

(51) **LOC (13) Cl.** ..... **14-01**

(52) **U.S. Cl.**  
USPC ..... **D14/223**

(58) **Field of Classification Search**  
USPC ..... D14/223, 205, 206; D24/174; 128/864,  
128/865, 866; 181/129, 130, 135;  
379/430, 431; 381/380, 381, 322-324,  
381/330; 455/90.3, 575, 1, 569.1  
CPC ..... H04R 1/10; H04R 25/00; H04R 1/1016;  
H04R 1/1066; H04R 5/033; H04R  
5/0335; H04R 1/1091; H04R 1/1058;  
H04R 1/105; H04R 1/1083

See application file for complete search history.

(56) **References Cited**

U.S. PATENT DOCUMENTS

D669,881	S	*	10/2012	Clements	.....	D14/205
D706,745	S	*	6/2014	Nakagawa	.....	H04R 1/1066 D14/205
D717,765	S	*	11/2014	Rausch	.....	D14/205
D740,785	S	*	10/2015	Chen	.....	D14/205
D791,100	S	*	7/2017	Chen	.....	D14/205
9,949,014	B2	*	4/2018	Cramer	.....	H04R 1/1008
D823,279	S	*	7/2018	Chen	.....	D14/205
D829,190	S	*	9/2018	Bullen	.....	D14/205
D851,623	S	*	6/2019	Zhang	.....	D14/205
D875,710	S	*	2/2020	Bailey	.....	D14/205
D895,571	S	*	9/2020	Li	.....	D14/205
2015/0319526	A1	*	11/2015	Kunimoto	.....	H04R 11/02 381/74
2019/0075389	A1	*	3/2019	Jan	.....	H04R 1/1041

\* cited by examiner

*Primary Examiner* — Katie Jane Stofko

(74) *Attorney, Agent, or Firm* — Metis IP LLC

(57) **CLAIM**

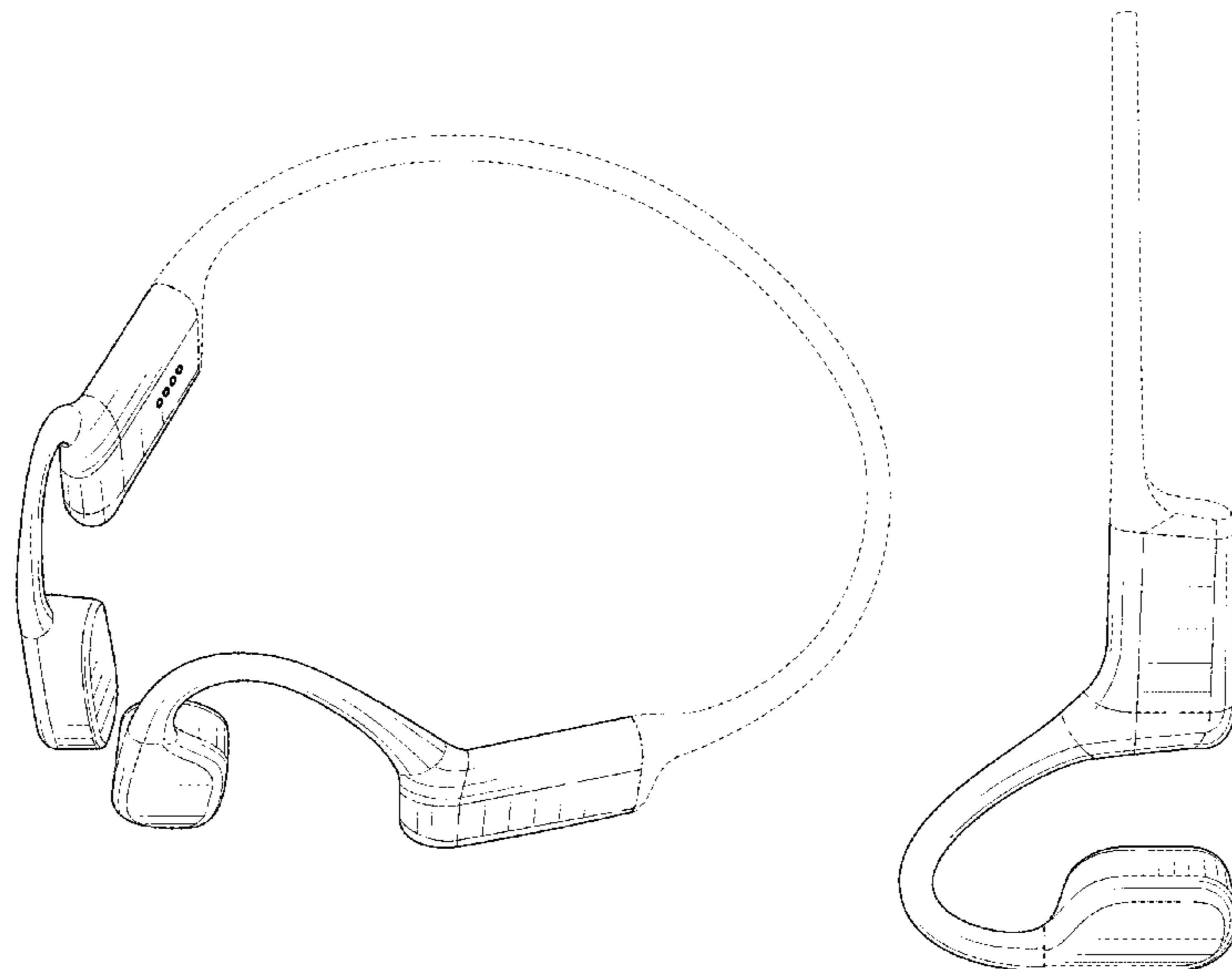
The ornamental design for a bone conduction headphone, as shown and described.

**DESCRIPTION**

FIG. 1 is a front, right side, bottom perspective view of a bone conduction headphone show our new design; FIG. 2 is a rear, top perspective view thereof; FIG. 3 is a front view thereof; FIG. 4 is a rear view thereof; FIG. 5 is a left side view thereof; FIG. 6 is a right side view thereof; FIG. 7 is a top view thereof; and, FIG. 8 is a bottom view thereof.

The shade lines in the Figures show contour and not surface ornamentation. The short dash broken lines indicate portions of the bone conduction headphone that form no part of the claimed design. The dot-dash broken lines indicate unclaimed boundaries of the claimed design.

**1 Claim, 6 Drawing Sheets**



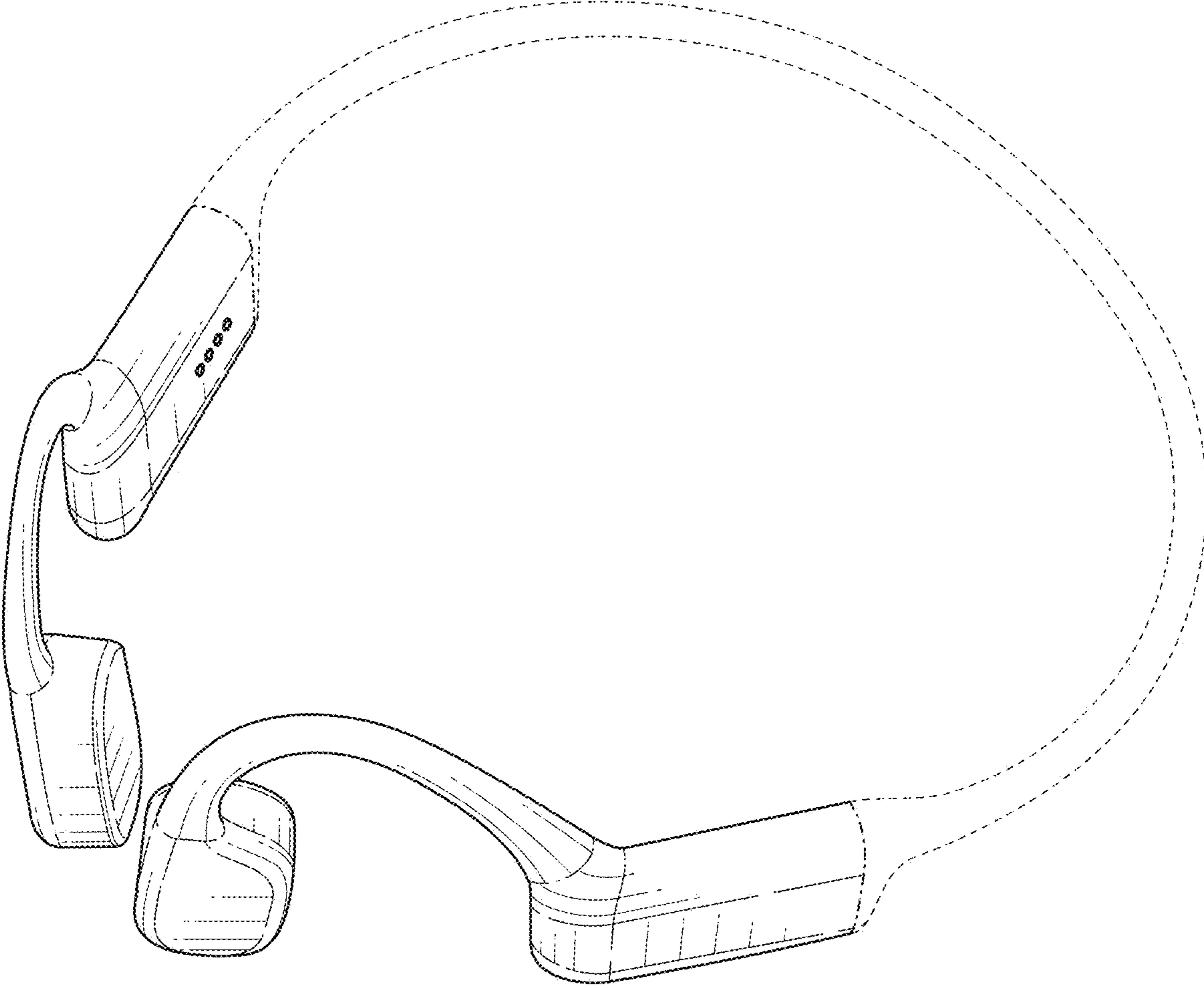


FIG. 1

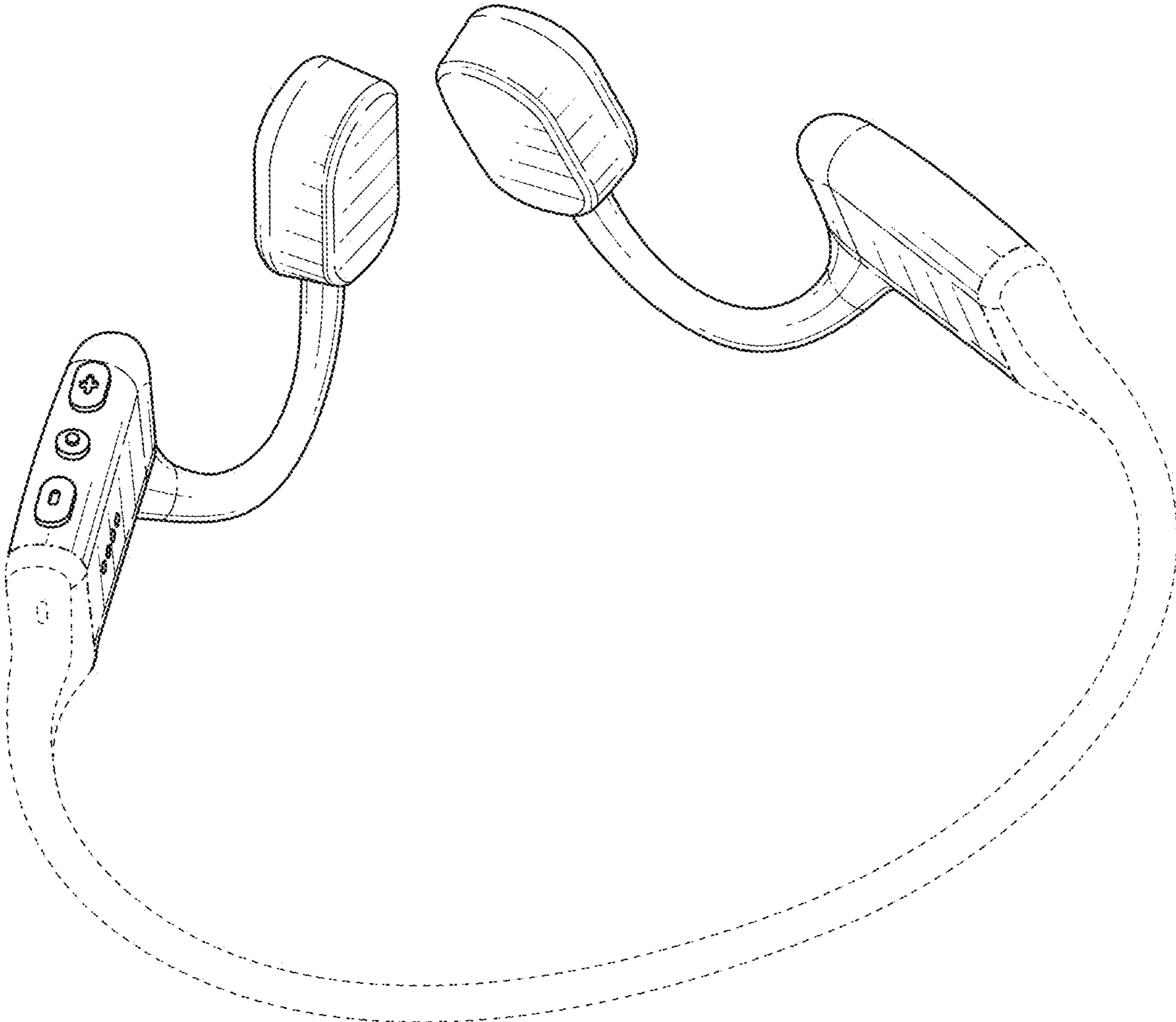


FIG. 2

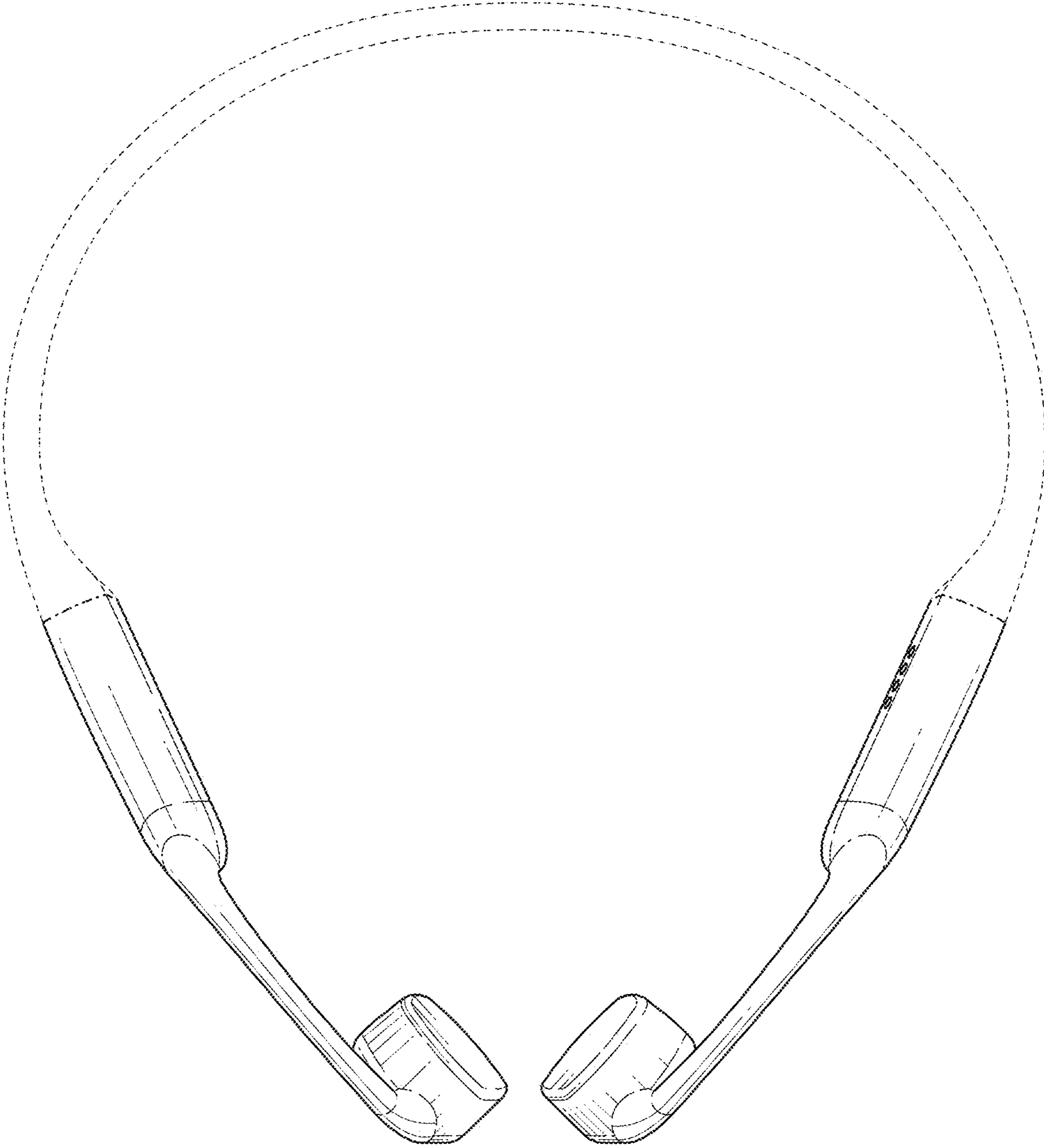


FIG. 3

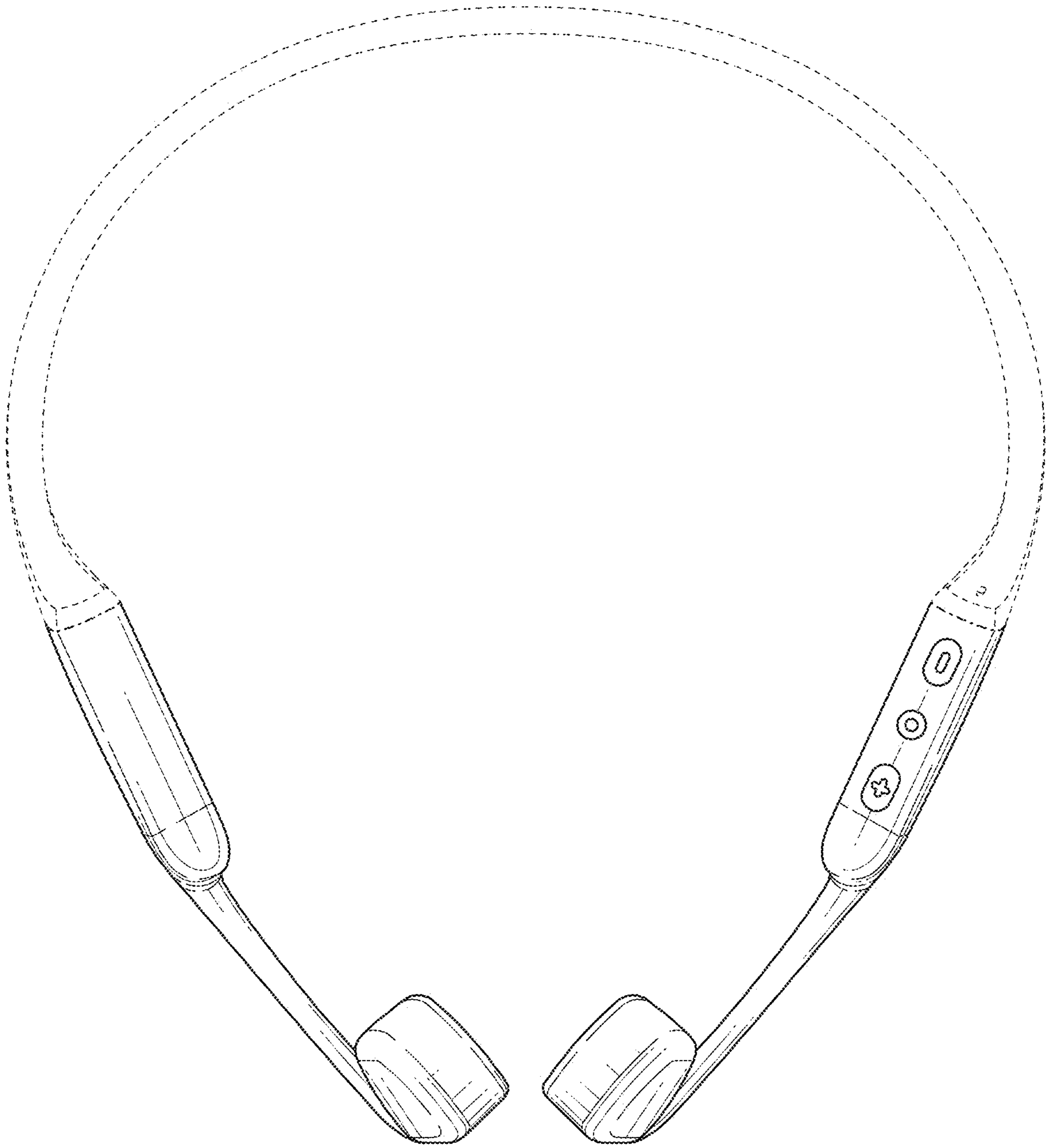


FIG. 4



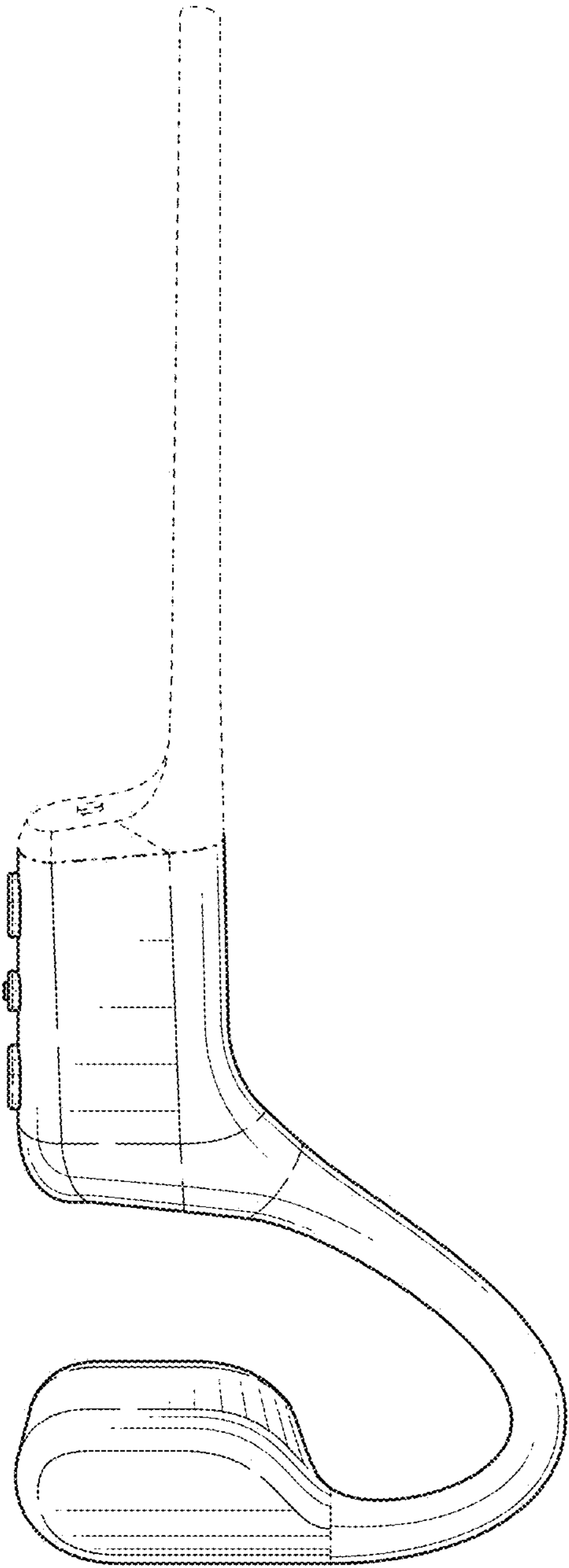


FIG. 5

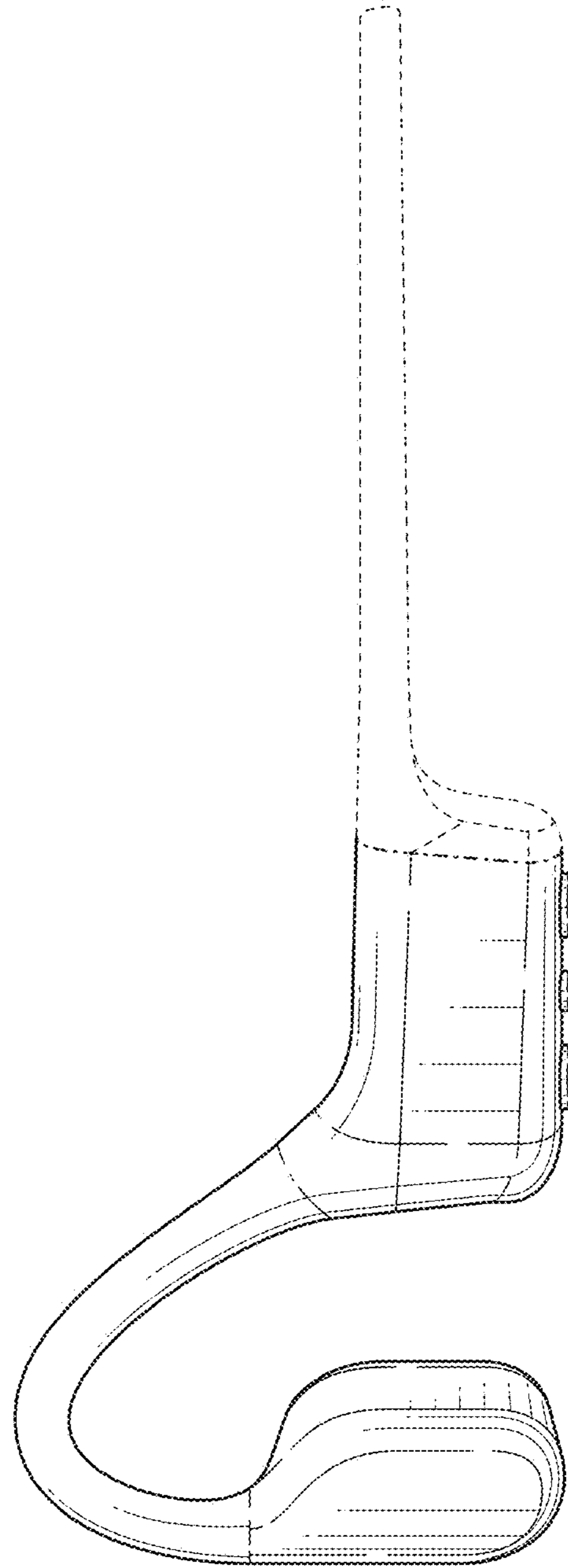


FIG. 6

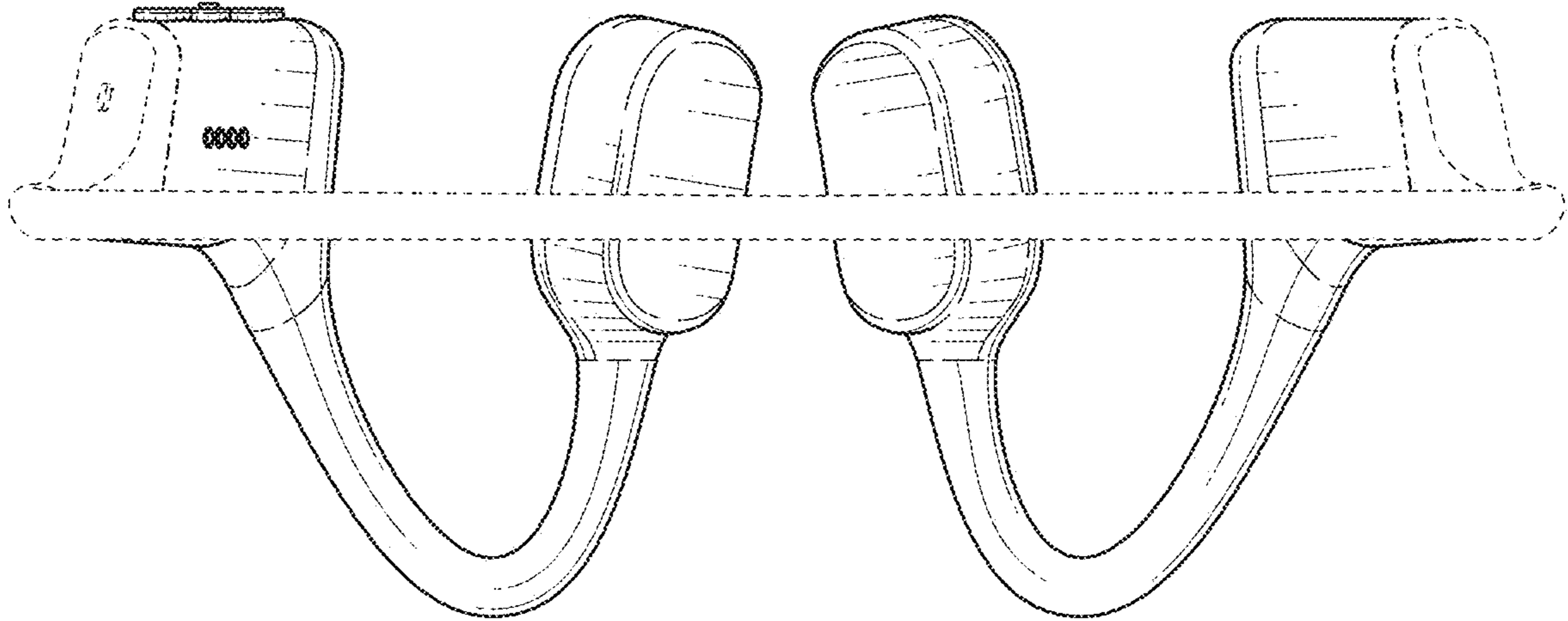


FIG. 7

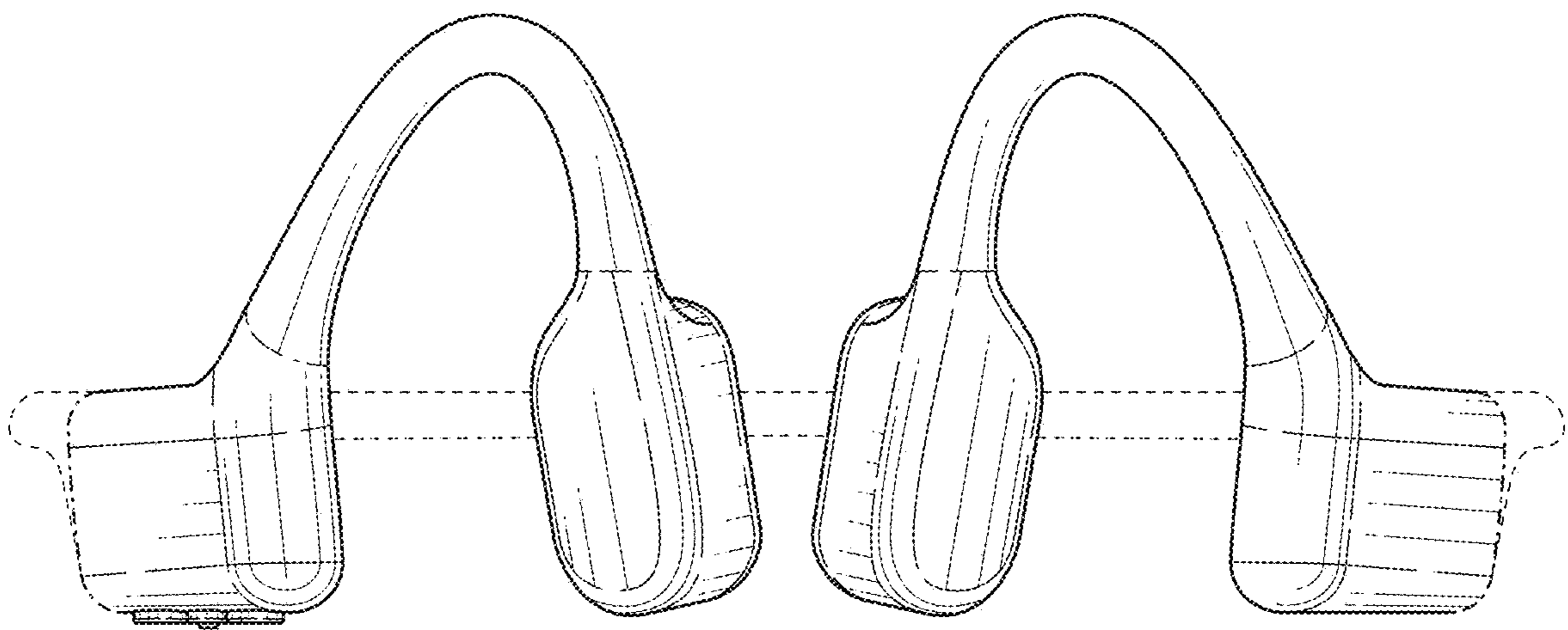


FIG. 8