



US00D909993S

(12) **United States Design Patent**  
**Han et al.**

(10) **Patent No.:** **US D909,993 S**

(45) **Date of Patent:** **\*\* Feb. 9, 2021**

(54) **ELECTRONIC DEVICE**

2400/00; H04R 2400/07; H04R 2499/11;  
H04R 2499/13; H04R 2499/15; H04S  
3/00; H04S 7/30

(71) Applicant: **Amazon Technologies, Inc.**, Seattle,  
WA (US)

See application file for complete search history.

(72) Inventors: **Sun Joo Han**, San Francisco, CA (US);  
**Christopher Green**, San Francisco, CA  
(US); **Marc Rene Walliser**, San  
Francisco, CA (US); **Giles David**  
**Matthew McWilliam**, San Francisco,  
CA (US)

(56)

**References Cited**

U.S. PATENT DOCUMENTS

D514,548 S 2/2006 Chan  
D525,880 S 8/2006 Okamura  
D540,291 S 4/2007 Heath  
D541,228 S 4/2007 Thursfield  
D600,569 S 9/2009 Sadler et al.

(Continued)

(73) Assignee: **Amazon Technologies, Inc.**, Seattle,  
WA (US)

(\*\*) Term: **15 Years**

OTHER PUBLICATIONS

(21) Appl. No.: **29/725,390**

Translated Japanese Office Action dated Nov. 16, 2018 for Japanese  
design application No. 2017-025890, a counterpart foreign appli-  
cation of Design U.S. Appl. No. 29/607,451, 4 pages. ‡

(22) Filed: **Feb. 25, 2020**

(Continued)

**Related U.S. Application Data**

(62) Division of application No. 29/607,451, filed on Jun.  
13, 2017, now Pat. No. Des. 884,673.

*Primary Examiner* — Keli L Hill

(74) *Attorney, Agent, or Firm* — Lee & Hayes, P.C.

(51) **LOC (13) Cl.** ..... **14-02**

(57)

**CLAIM**

(52) **U.S. Cl.**

The ornamental design for an electronic device, as shown  
and described.

USPC ..... **D14/216**; D14/356; D14/171; D10/2

(58) **Field of Classification Search**

**DESCRIPTION**

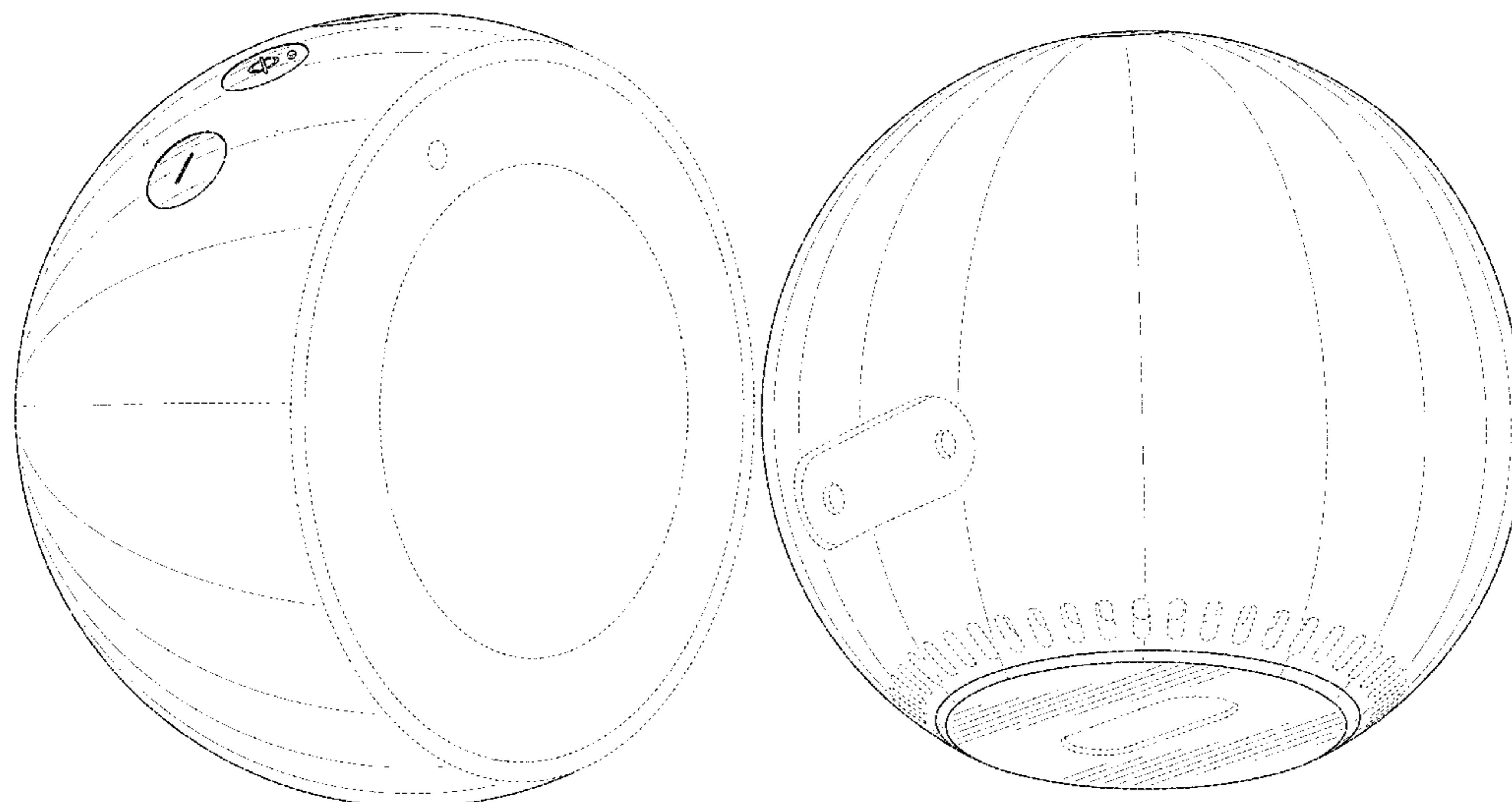
USPC ..... D14/167, 168, 170–172, 188, 194–196,  
D14/204, 209.1, 210–216, 219, 221, 222,  
D14/224, 239, 496, 139–131, 140.11,  
D14/141.3, 144, 356, 371, 388; D10/1,  
D10/2, 15, 22

FIG. 1 is a top perspective view of an electronic device;  
FIG. 2 is a bottom perspective view thereof;  
FIG. 3 is a front view thereof;  
FIG. 4 is a back view thereof;  
FIG. 5 is a left-side view thereof;  
FIG. 6 is a right-side view thereof;  
FIG. 7 is a top view thereof; and,  
FIG. 8 is a bottom view thereof.

CPC ..... B60R 11/0217; G06F 1/1688; G10K 9/22;  
G10K 11/004; H03F 1/327; H04M 1/03;  
H04M 1/035; H04N 5/642; H04N  
21/4852; H04R 1/02; H04R 1/06; H04R  
1/021; H04R 1/025; H04R 1/026; H04R  
1/028; H04R 1/105; H04R 1/323; H04R  
1/403; H04R 1/2803; H04R 1/2834;  
H04R 5/02; H04R 7/20; H04R 9/06;  
H04R 9/025; H04R 2201/021; H04R

The broken lines depict portions of the electronic device that  
form no part of the claimed design.

**1 Claim, 8 Drawing Sheets**



(56)

**References Cited**

U.S. PATENT DOCUMENTS

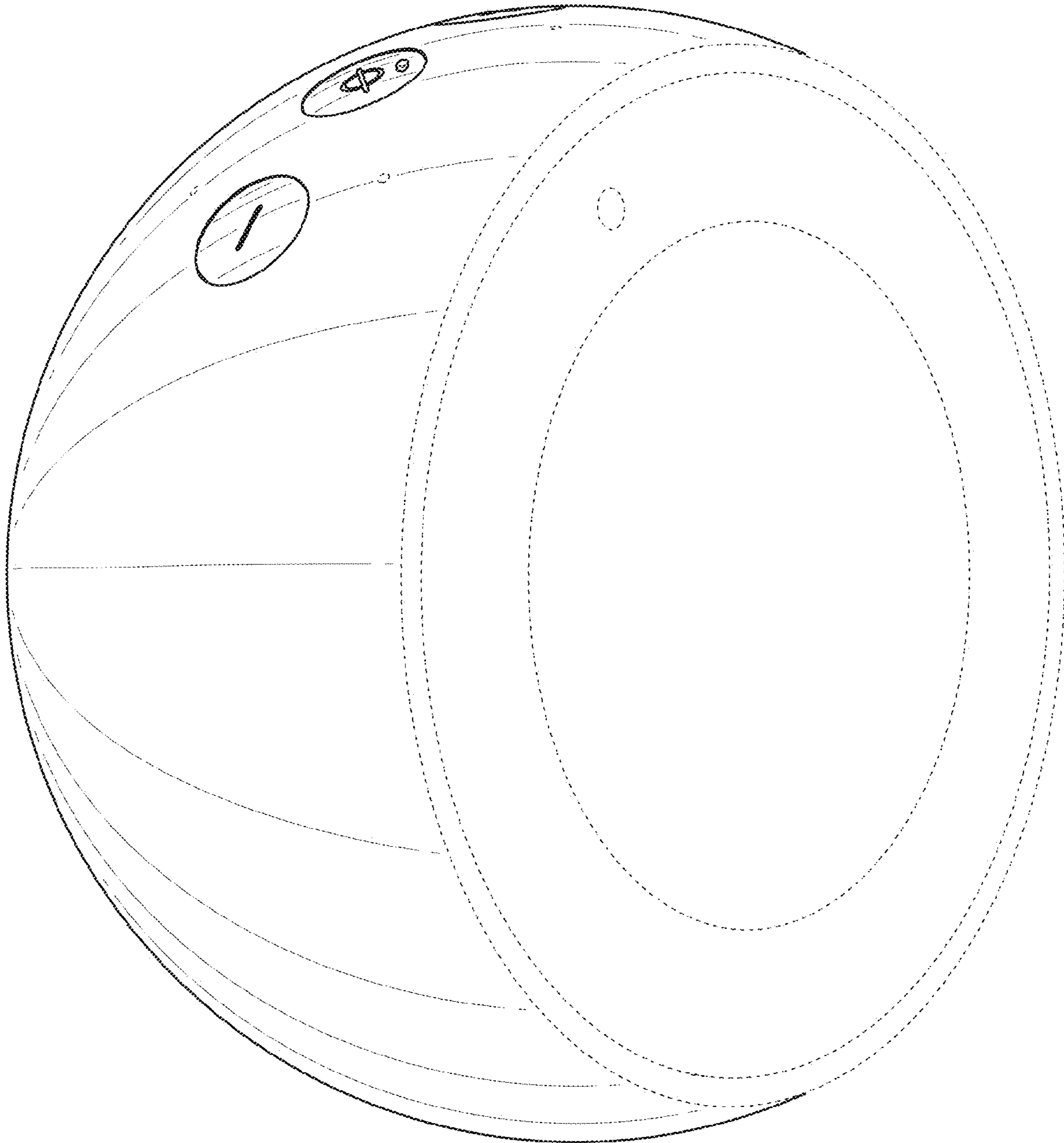
D639,273 S	6/2011	Chow
D659,680 S	5/2012	Kim et al.
D712,378 S	9/2014	Mackiewicz et al.
D743,941 S	11/2015	Patsis
D756,326 S	5/2016	Holzer
D765,617 S	9/2016	Mackiewicz et al.
D766,215 S	9/2016	Mackiewicz et al.
D780,151 S	2/2017	Jeon
D793,363 S	8/2017	Zhang
D793,869 S	8/2017	Jeon
D801,307 S	10/2017	Kim et al.
D806,066 S	12/2017	McWilliam et al.
D811,392 S	2/2018	Lu et al.
D829,688 S	10/2018	Tanaka et al.

OTHER PUBLICATIONS

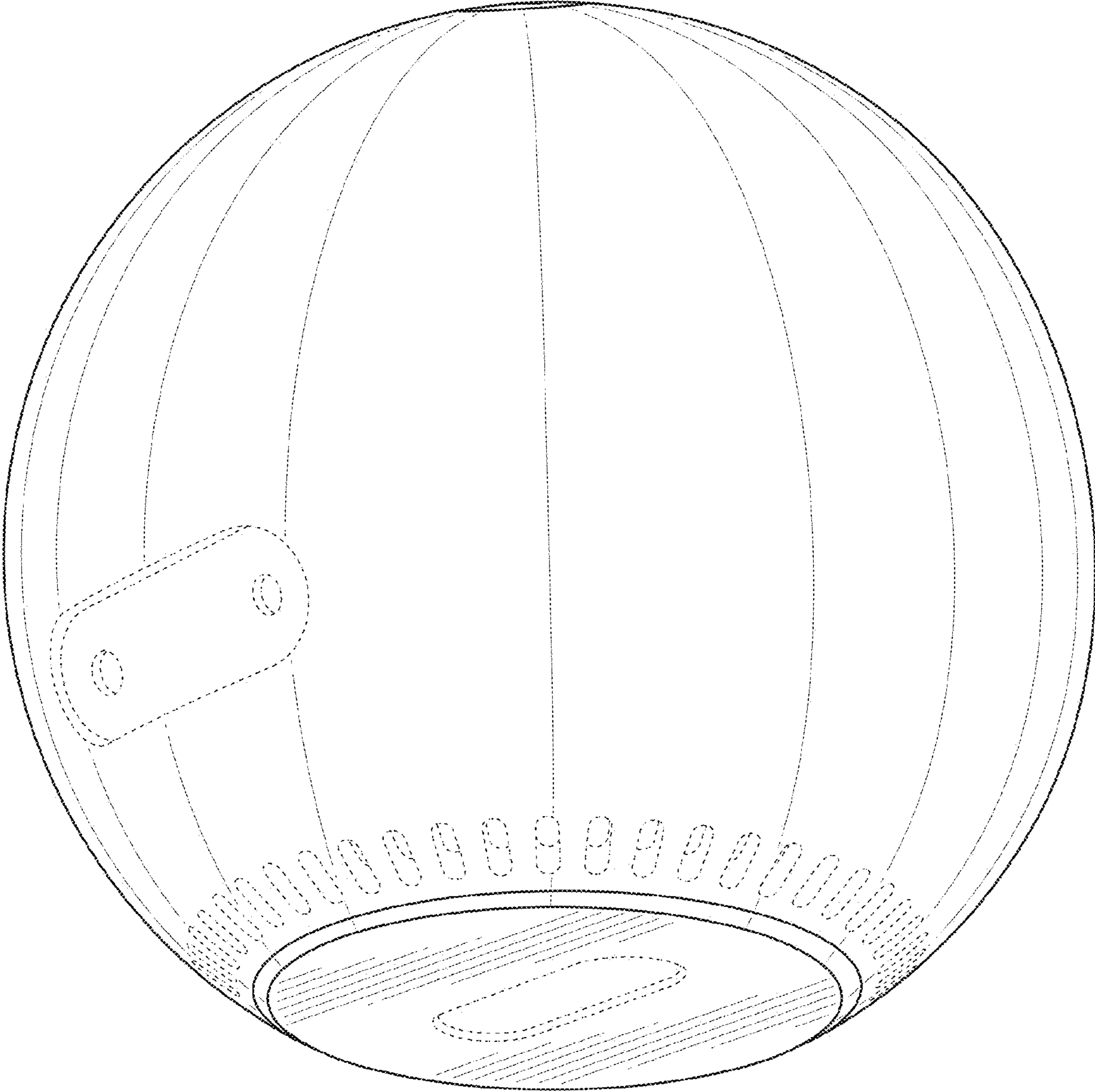
Design shown in “Unique Innovative Style” P63, JPO Design Division Publicly Known Document No. HD24005547) 1 page.‡  
 A Design shown in the Design Gazette of State Intellectual Property Office of the People’s Republic of China No. 09-37, Sep. 16, 2009 (JPO Design Division Publicly Known Document No. HH21007065), 1 page.‡  
 The Design Gazette of State Intellectual Property Office of the People’s Republic of China (SIPO) Nov. 17, 2010 No. 10-46. A

Design of “Digital Frame” (Publication No. CN301384976S) which was accepted on Jan. 13, 2018 by Information Dissemination and Policy Promotion Division of the Japan Patent Office (JPO), (JPO Design Division Publicly Known Document No. HH22010014)., 1 page.‡  
 The design of Japanese Design Registration No. 1536726 disclosed in the Design Gazette of Japan Patent Office (JPO), Oct. 2, 2015, 6 pages.‡  
 Translated Japanese Office Action dated Jul. 27, 2018 for Japanese design application No. 2017-025890, a counterpart foreign application of Design U.S. Appl. No. 29/607,451, 4 pages.‡  
 Chinese Office Action dated Jul. 31, 2018 for Chinese design application No. 201730600687.7, a counterpart foreign application of Design U.S. Appl. No. 29/607,451, 1 page.‡  
 Canadian Office Action dated Jul. 23, 2018, for Canadian Application No. 178243, a counterpart Foreign Application of the U.S. Appl. No. 29/607,451, 1 page.‡  
 Indian Office Action dated Jan. 8, 2018 for Indian design application No. 300142, a counterpart foreign application fo Design U.S. Appl. No. 29/607,451, 2 pages.‡  
 Translated Japanese Office Action dated Nov. 16, 2018 for Japanese design application No. 2017-025890, a counterpart foreign applicaion of Design U.S. Appl. No. 29/607,451, 4 pages.  
 Translated Japanese Office Action dated Jul. 27, 2018 for Japanese design application No. 2017-025890, a counterpart foreign applicaion of Design U.S. Appl. No. 29/607,451, 4 pages.

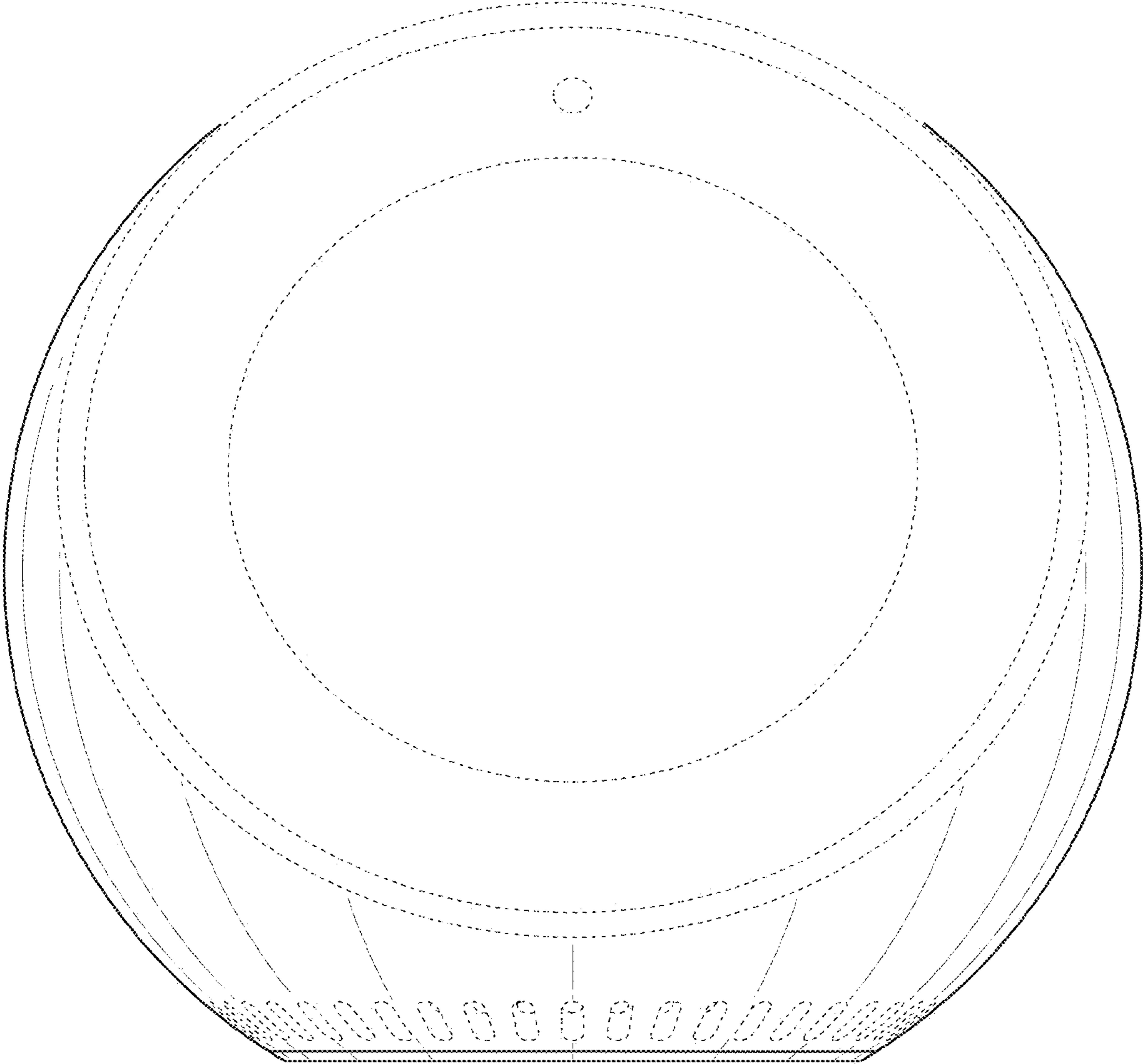
‡ imported from a related application



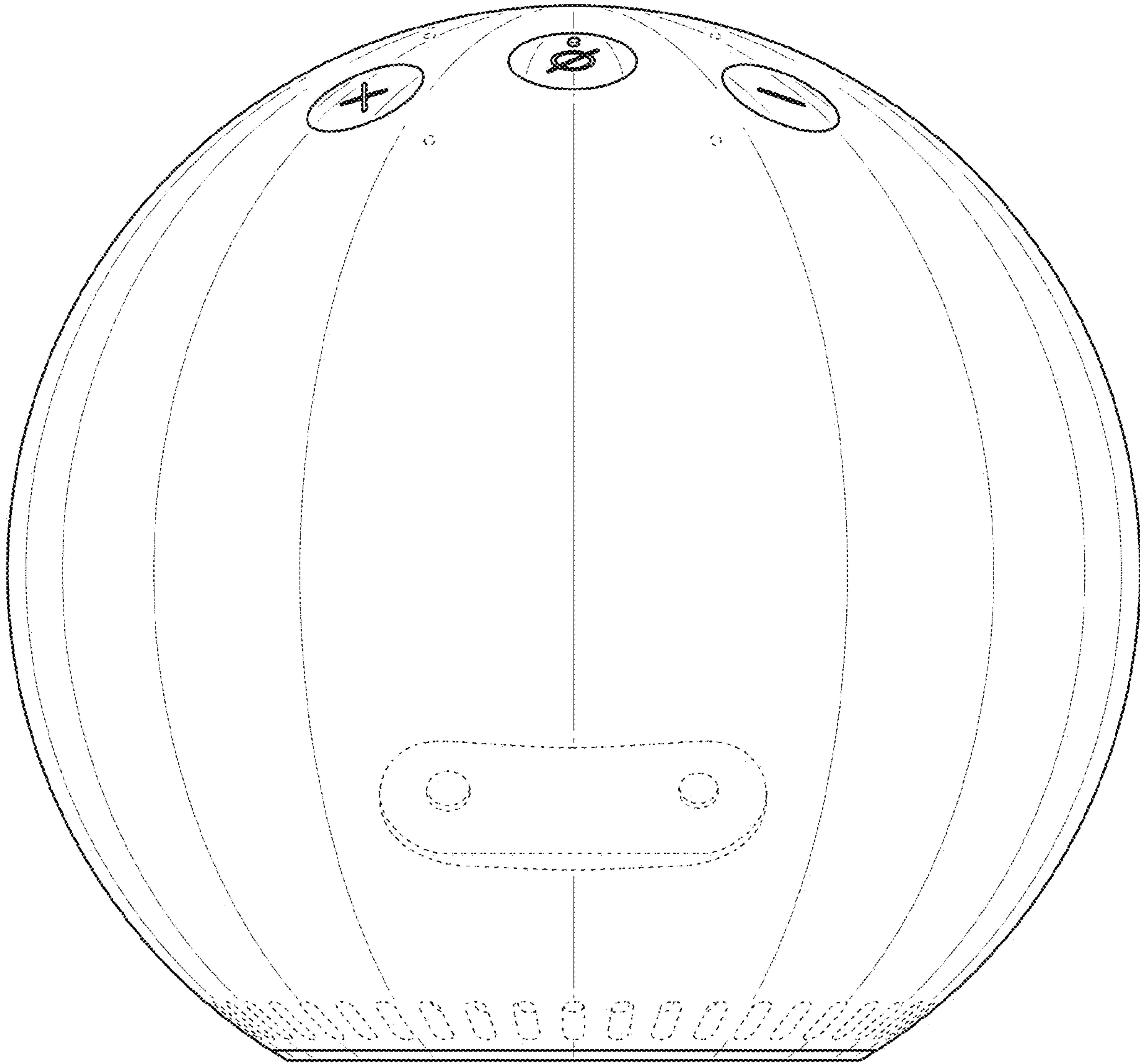
**FIG. 1**



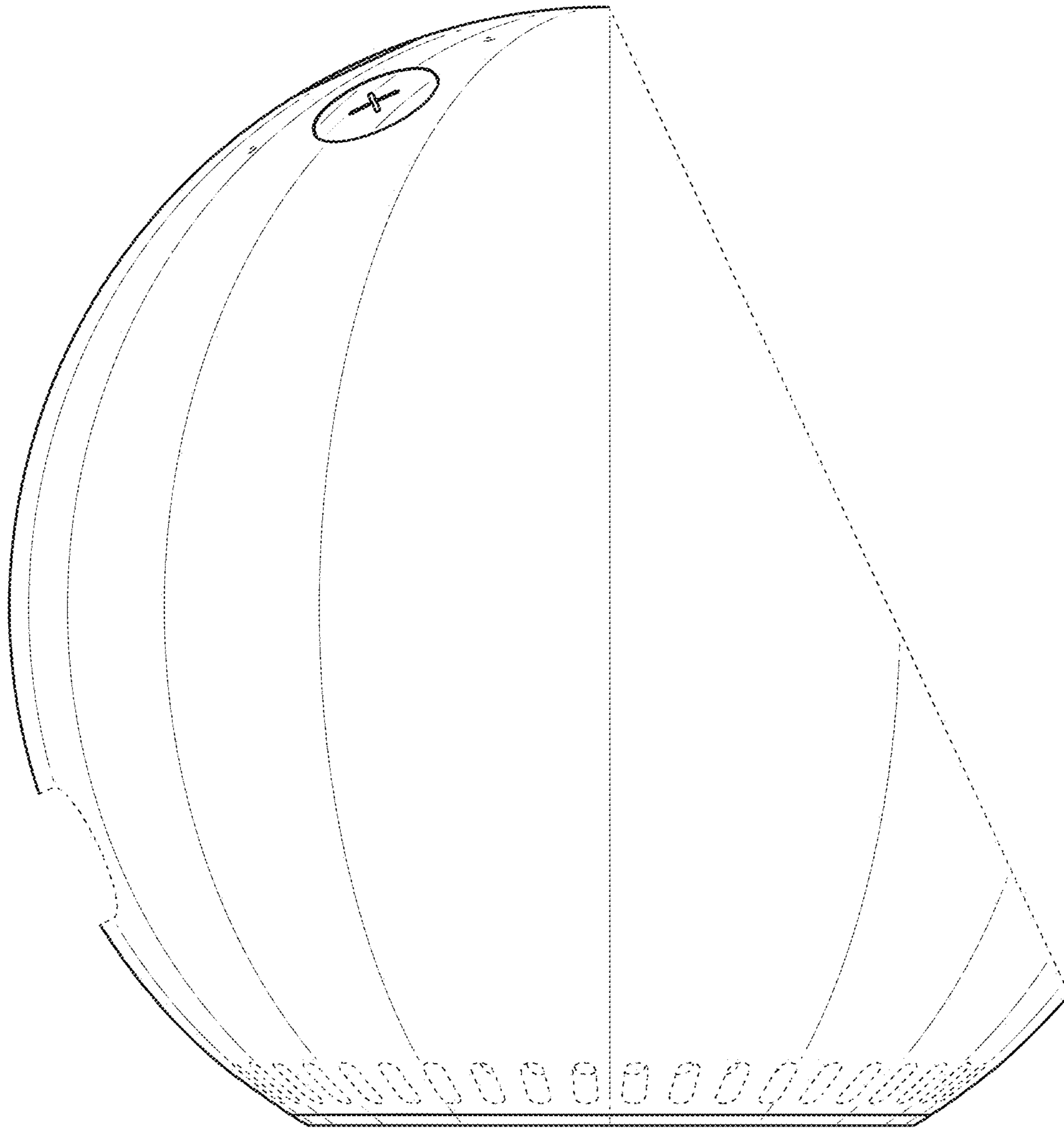
**FIG. 2**



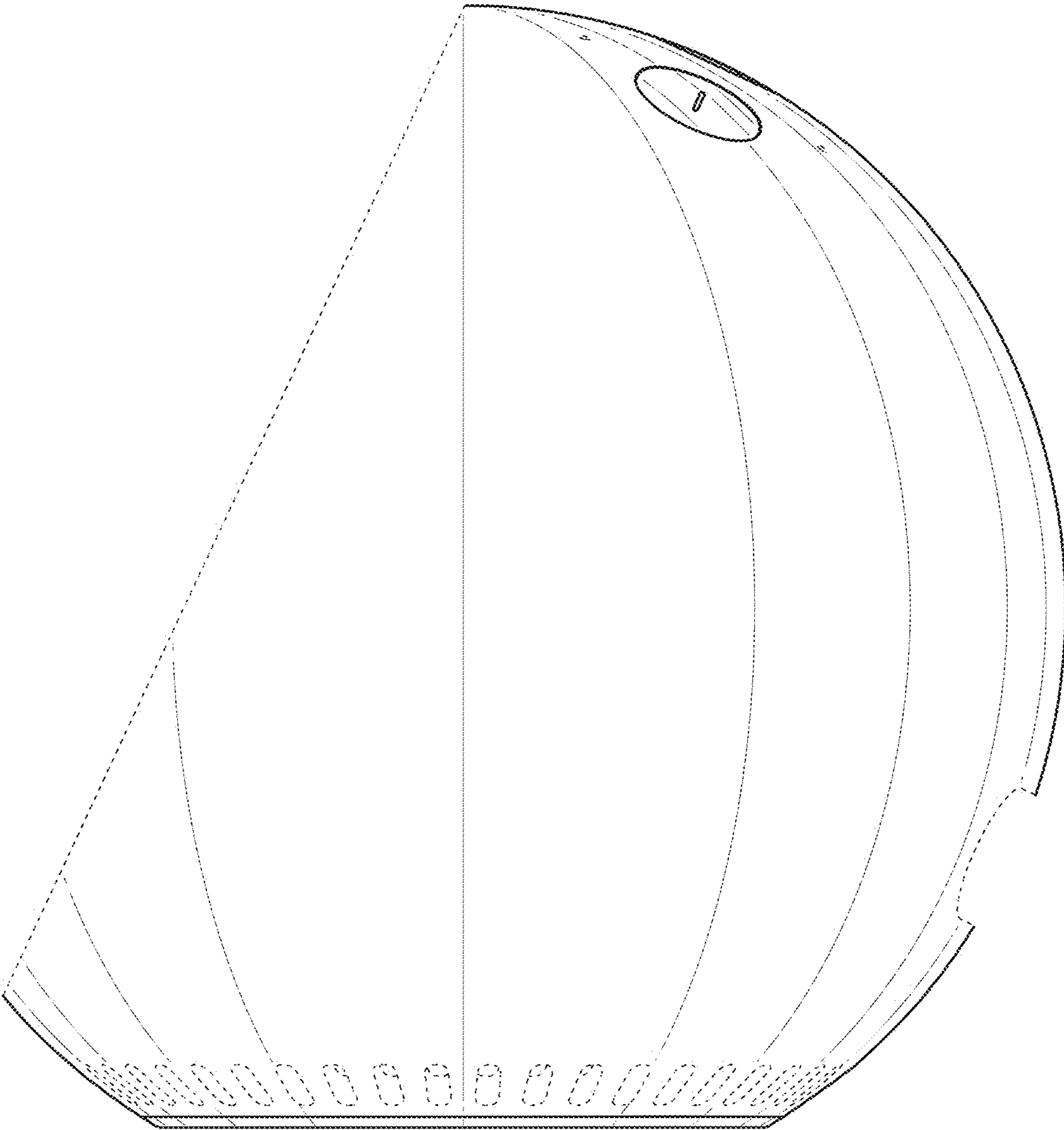
**FIG. 3**



**FIG. 4**

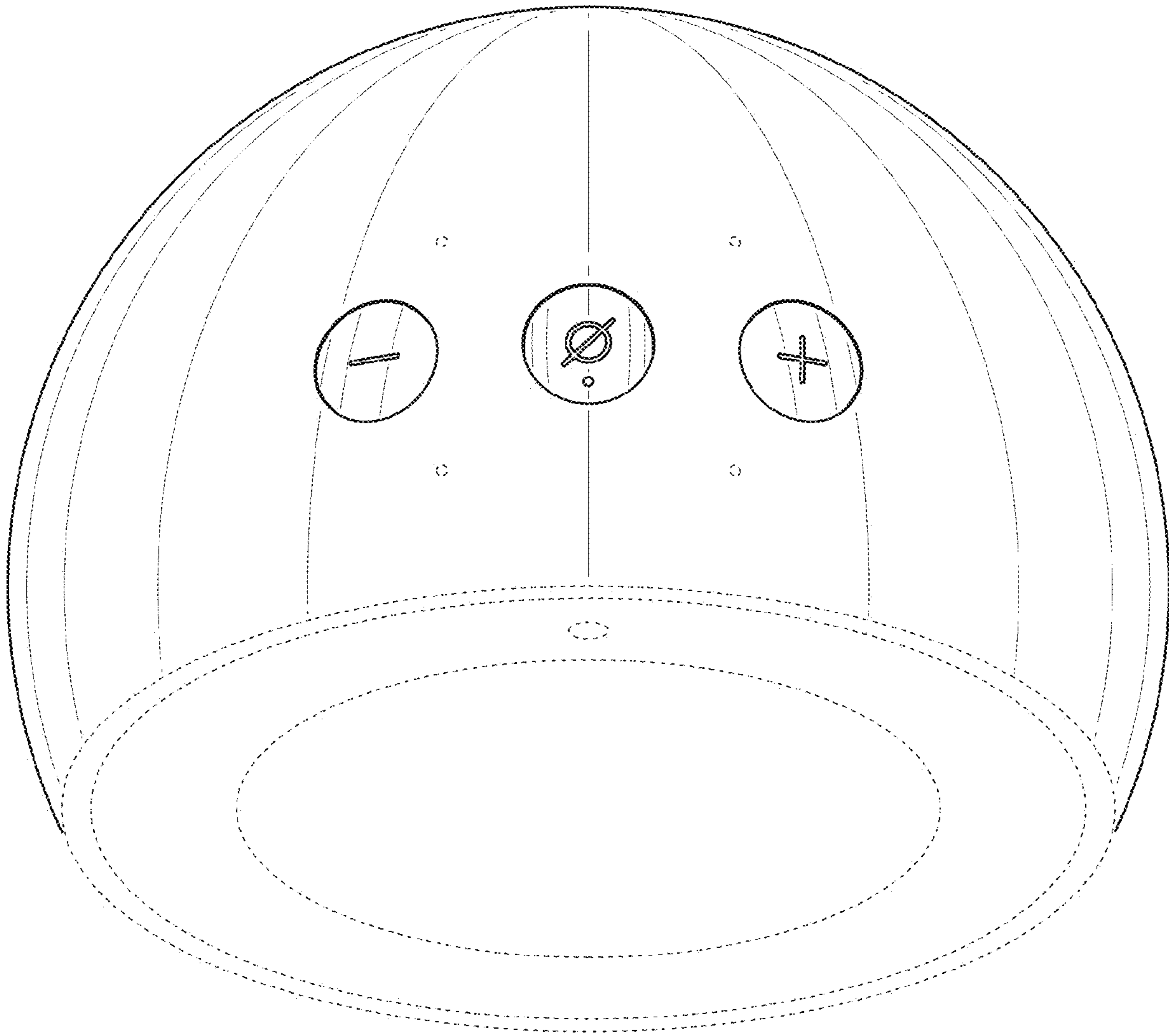


**FIG. 5**

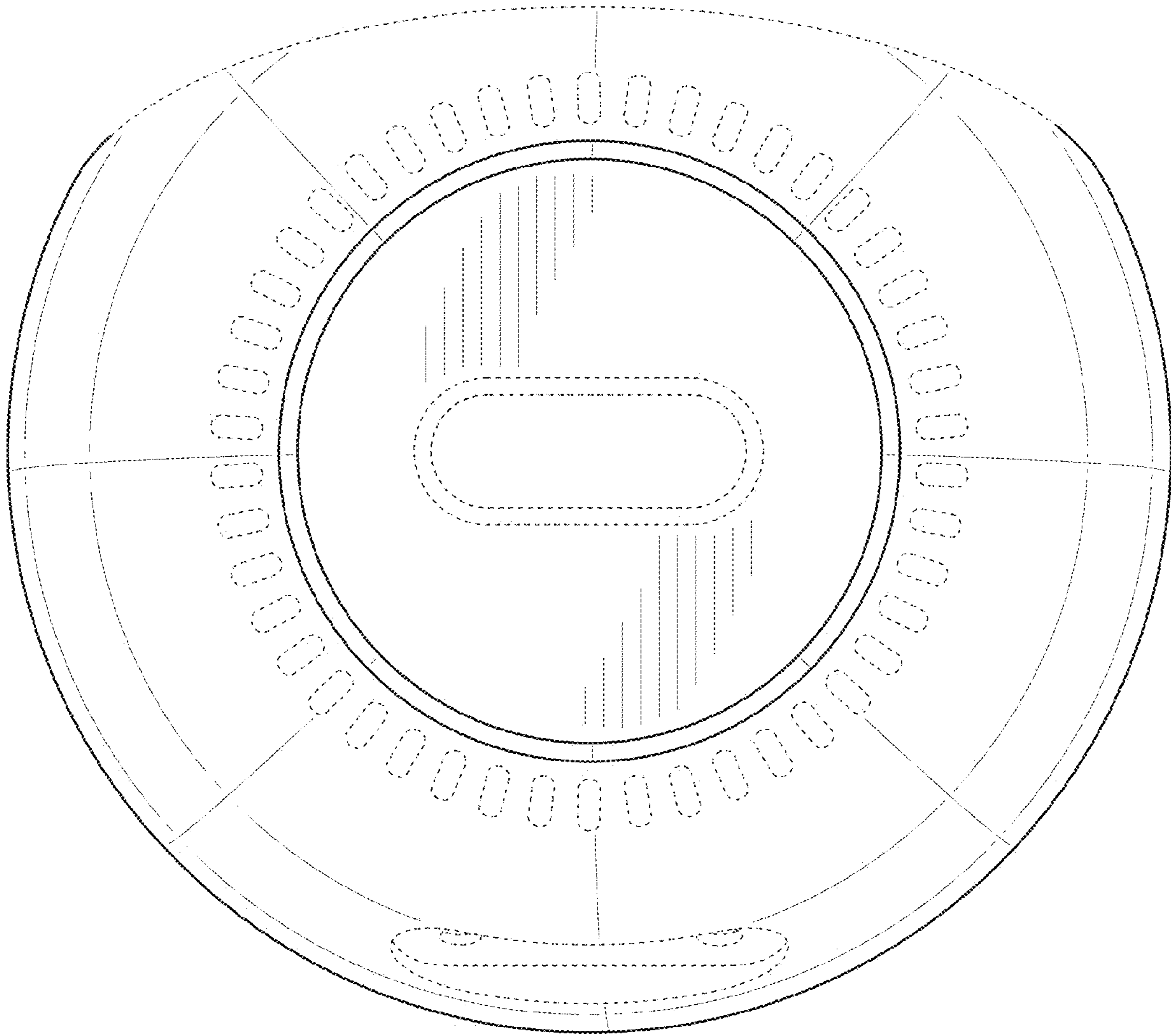


**FIG. 6**





**FIG. 7**



**FIG. 8**