



US00D909989S

(12) **United States Design Patent** (10) **Patent No.:** **US D909,989 S**
Lu (45) **Date of Patent:** **** Feb. 9, 2021**

(54) **HEADPHONES**
(71) Applicant: **DONG GUAN GORSUN ELECTRONICS CO., LTD.**, Dongguan (CN)
(72) Inventor: **Qihao Lu**, Shantou (CN)
(73) Assignee: **DONG GUAN GORSUN ELECTRONICS CO., LTD.**, Dongguan (CN)
(**) Term: **15 Years**
(21) Appl. No.: **29/704,654**
(22) Filed: **Sep. 6, 2019**
(51) **LOC (13) Cl.** **14-01**
(52) **U.S. Cl.**
USPC **D14/205; D14/207**
(58) **Field of Classification Search**
USPC D14/205, 207, 223, 188, 192; D29/112; 2/209; D21/617; 446/189; 381/380, 381/381, 374; 455/90.3, 575.1, 569.1
CPC H04R 25/00; H04R 25/02; H04R 1/10; H04R 1/1066; H04R 1/1016; H04R 5/033; H04R 5/0335; H04R 1/02; H04R 1/1091
See application file for complete search history.

(56) **References Cited**
U.S. PATENT DOCUMENTS
D155,702 S * 10/1949 Ganine D21/617
D166,603 S * 4/1952 Hartman D7/302
D180,052 S * 4/1957 Young D2/869
D386,181 S * 11/1997 Fisher D14/192
6,212,282 B1 * 4/2001 Mershon H04R 1/1041
381/311
D482,393 S * 11/2003 Hui D19/116
D512,708 S * 12/2005 Harris, Jr. D14/205
D534,155 S * 12/2006 Obata D14/205

7,172,052 B2 * 2/2007 Lenhard-Backhaus
H04R 1/1066
181/129
D576,604 S * 9/2008 Suzuki D14/205
D625,705 S * 10/2010 Ohori D14/205
D634,732 S * 3/2011 Kondo D14/205
D635,957 S * 4/2011 Hirano D14/205
D643,065 S * 8/2011 van der Lande D19/142
D657,006 S * 4/2012 Wallick D21/617
D662,080 S * 6/2012 Carr D14/205
D665,775 S * 8/2012 Katsumata D14/205
D683,329 S * 5/2013 Hagelin D14/205
D685,283 S * 7/2013 Katoh D11/1
D699,702 S * 2/2014 Chen D14/205
D717,764 S * 11/2014 Lee D14/205
D719,136 S * 12/2014 Schaal D14/206
D757,679 S * 5/2016 Yan D14/205
(Continued)

FOREIGN PATENT DOCUMENTS

EM 004669943-0001 * 1/2018
EM 006740338-0001 * 8/2019
(Continued)

Primary Examiner — Paula Allen Greene

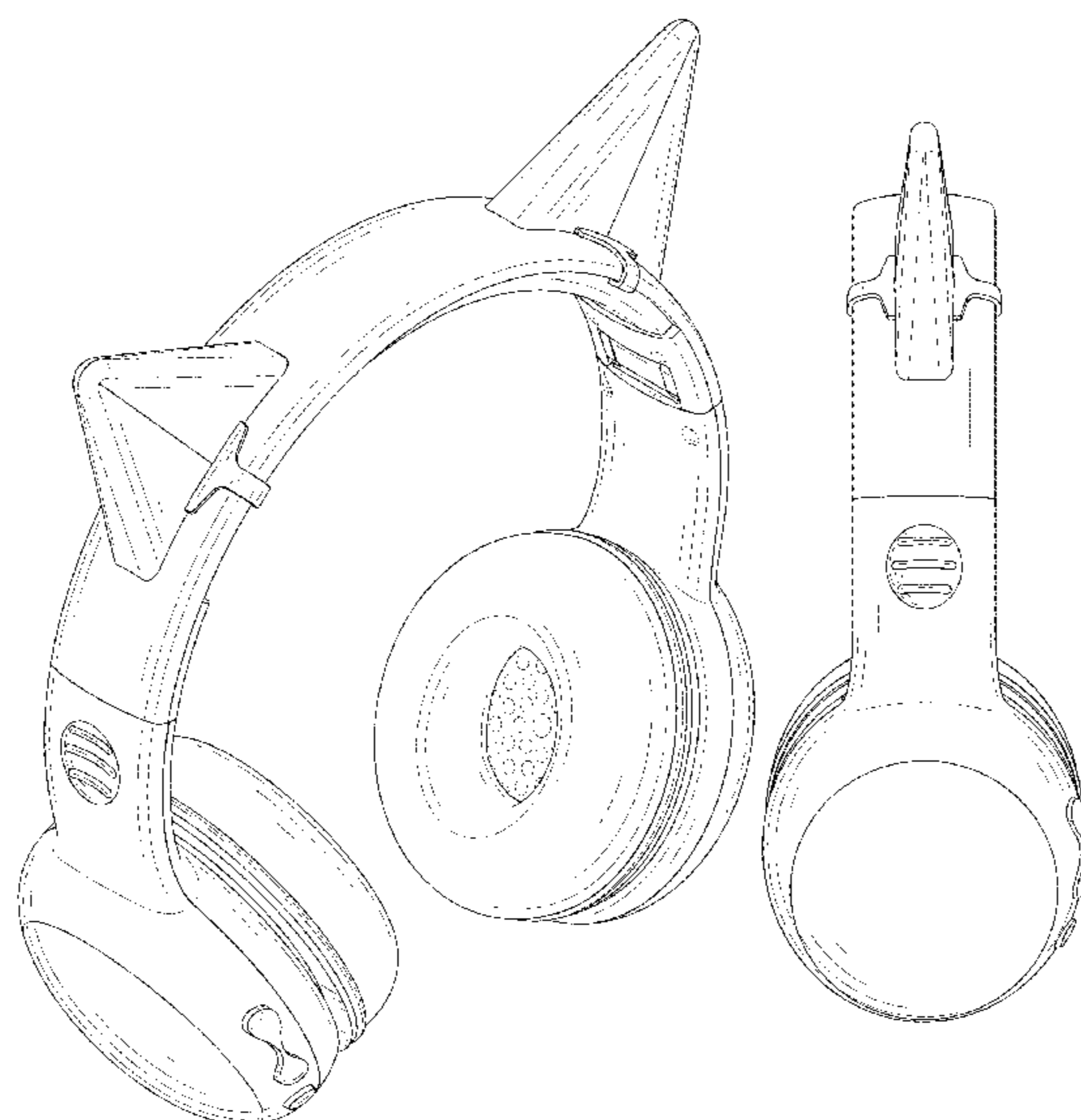
(57) **CLAIM**

The ornamental design for headphones, as shown and described.

DESCRIPTION

FIG. 1 is a perspective view of headphones showing my new design;
FIG. 2 is another perspective view thereof;
FIG. 3 is a front elevational view thereof;
FIG. 4 is a rear elevational view thereof;
FIG. 5 is a left side elevational view thereof;
FIG. 6 is a right side elevational view thereof;
FIG. 7 is a top plan view thereof; and,
FIG. 8 is a bottom plan view thereof.
The broken lines in the drawings depict portions of the headphones that form no part of the claimed design.

1 Claim, 8 Drawing Sheets



(56)

References Cited

U.S. PATENT DOCUMENTS

D758,508	S	*	6/2016	Chuang	D21/630
D795,837	S	*	8/2017	Cai	D14/205
D801,948	S	*	11/2017	Picunko	D14/205
D813,195	S	*	3/2018	Huang	D14/205
10,021,487	B2	*	7/2018	Yan	H04R 5/0335
D851,624	S	*	6/2019	Huang	D14/205
D858,483	S	*	9/2019	Hu	D14/205
D863,253	S	*	10/2019	He	D14/205
D868,026	S	*	11/2019	Hardi	D14/205
D869,433	S	*	12/2019	Huan	D14/205
D869,437	S	*	12/2019	Hu	D14/205
D879,742	S	*	3/2020	Hu	D14/205
D884,669	S	*	5/2020	Zhong	D14/205
D887,391	S	*	6/2020	Chong	D14/205
D888,008	S	*	6/2020	Yook	D14/205
D889,431	S	*	7/2020	Huang	D14/205
D890,124	S	*	7/2020	Shixing	D14/205
D892,080	S	*	8/2020	Krakovskiy	D14/205
D902,176	S	*	11/2020	Huang	D14/205
2004/0213428	A1	*	10/2004	Lenhard-Backhaus	H04R 1/1066
						381/370
2010/0177907	A1	*	7/2010	Morisawa	H04R 5/0335
						381/74
2016/0088383	A1	*	3/2016	Yan	H04R 5/0335
						381/378

FOREIGN PATENT DOCUMENTS

EM	007685730-0001	*	2/2020
EM	008160840-0001	*	9/2020

* cited by examiner

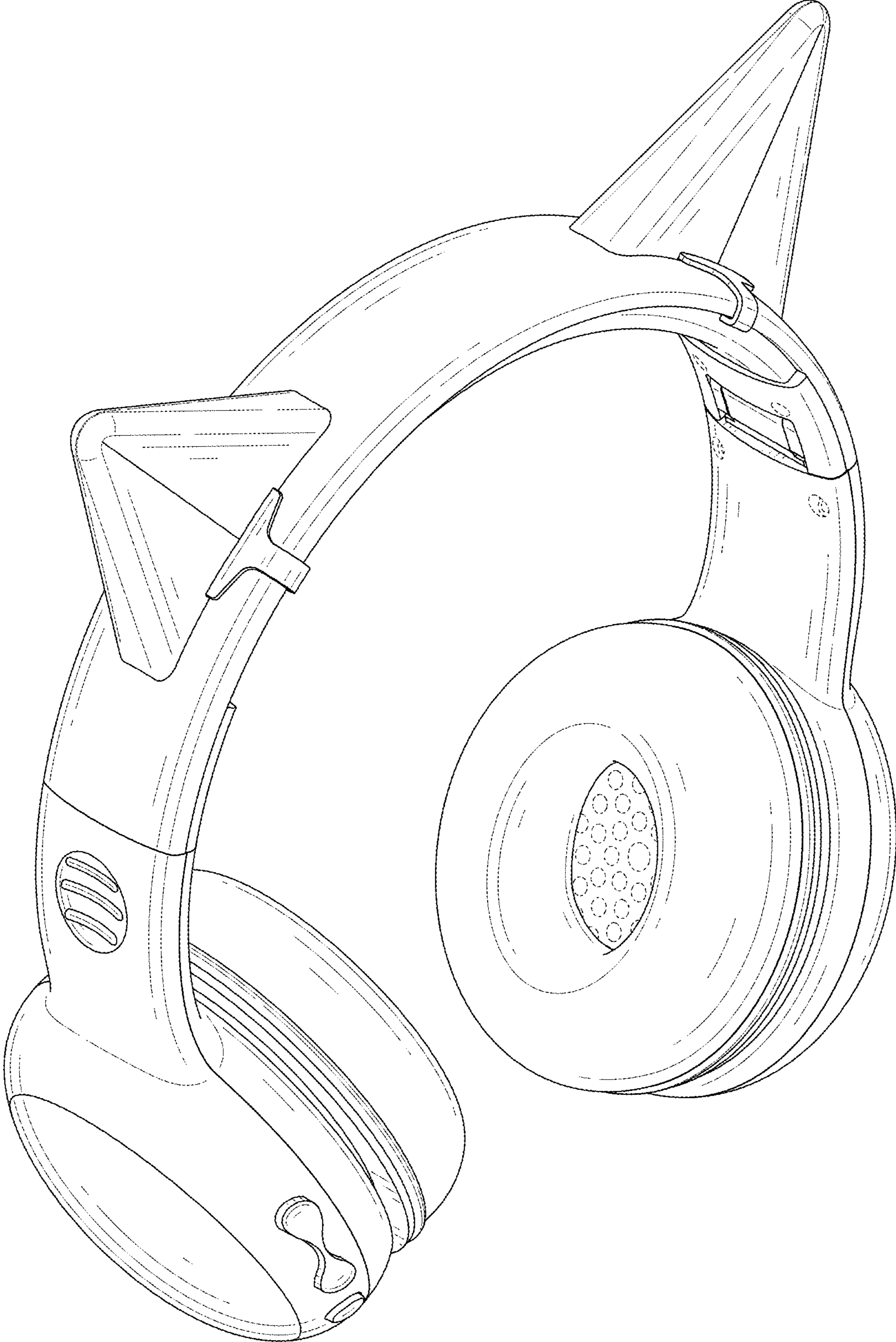


FIG. 1

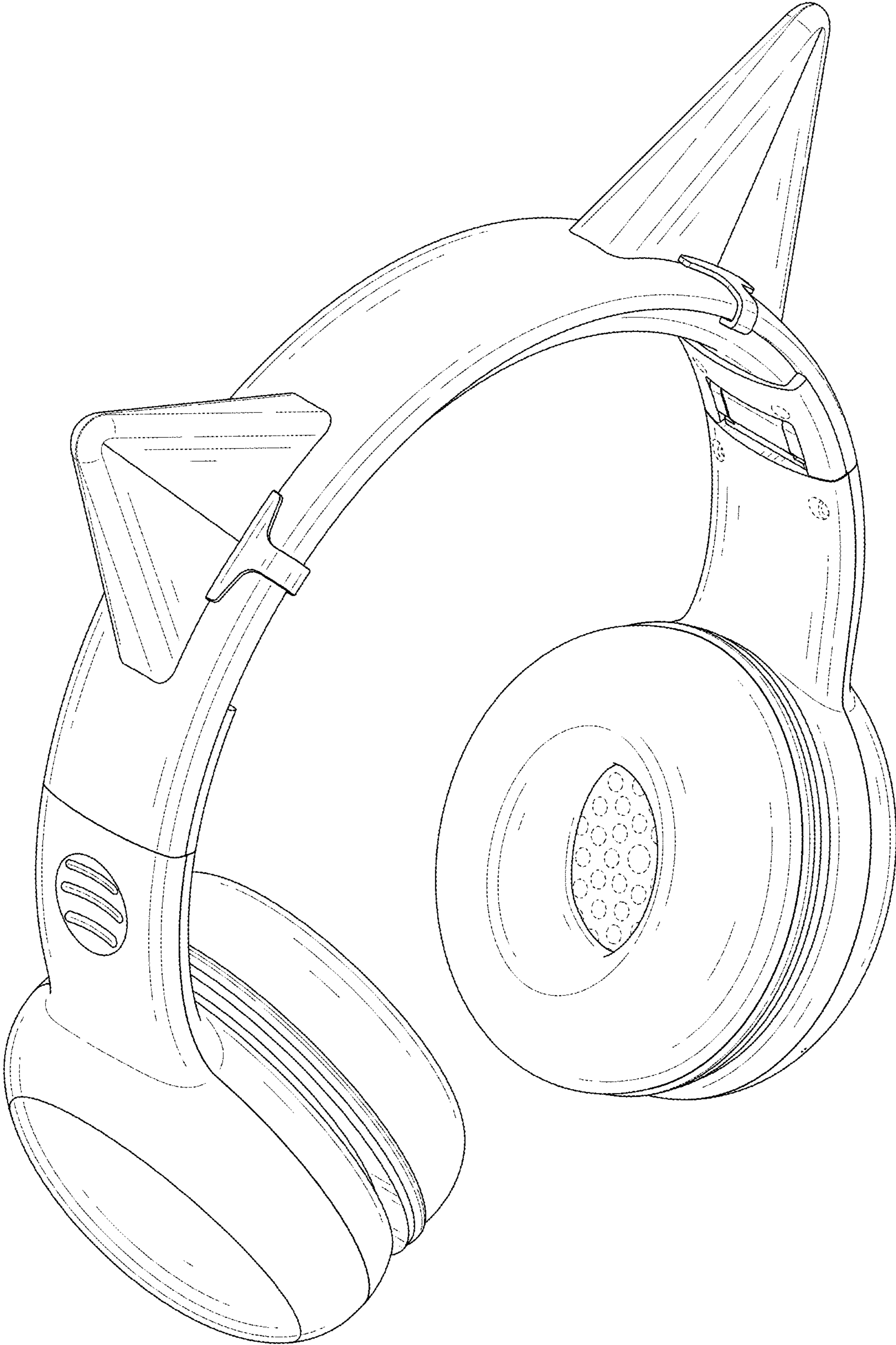


FIG. 2



FIG. 3



FIG. 4

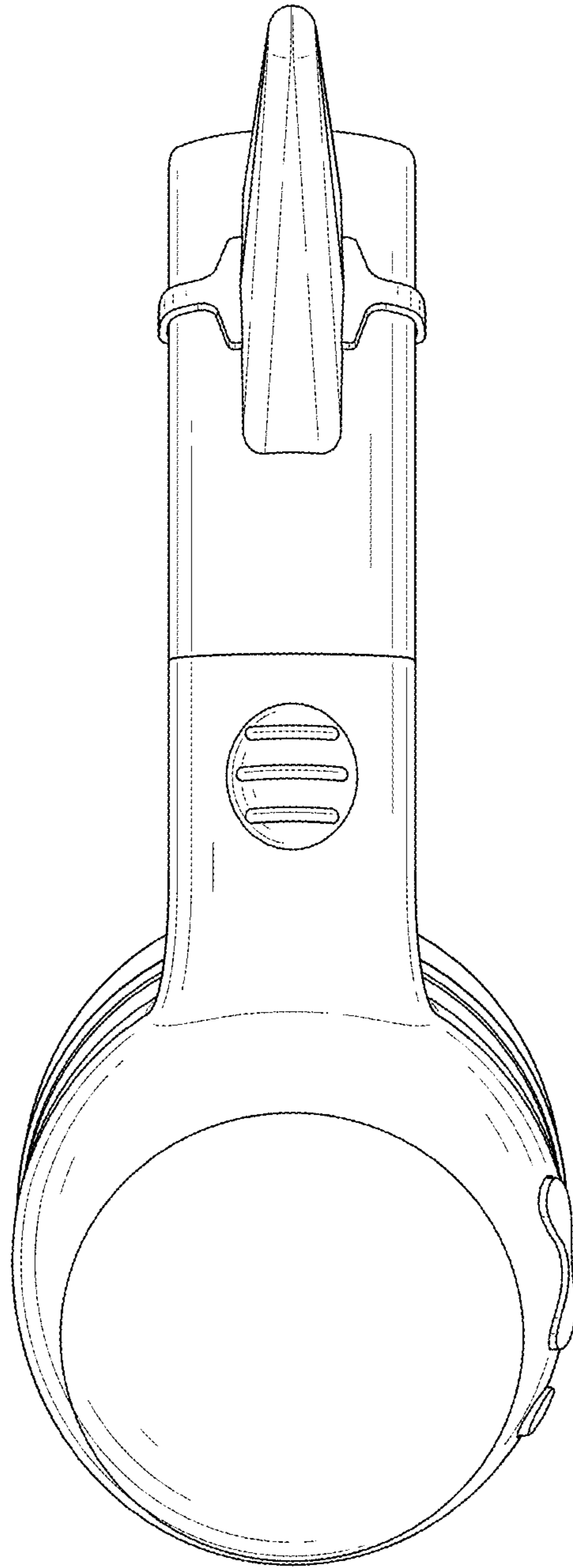


FIG. 5

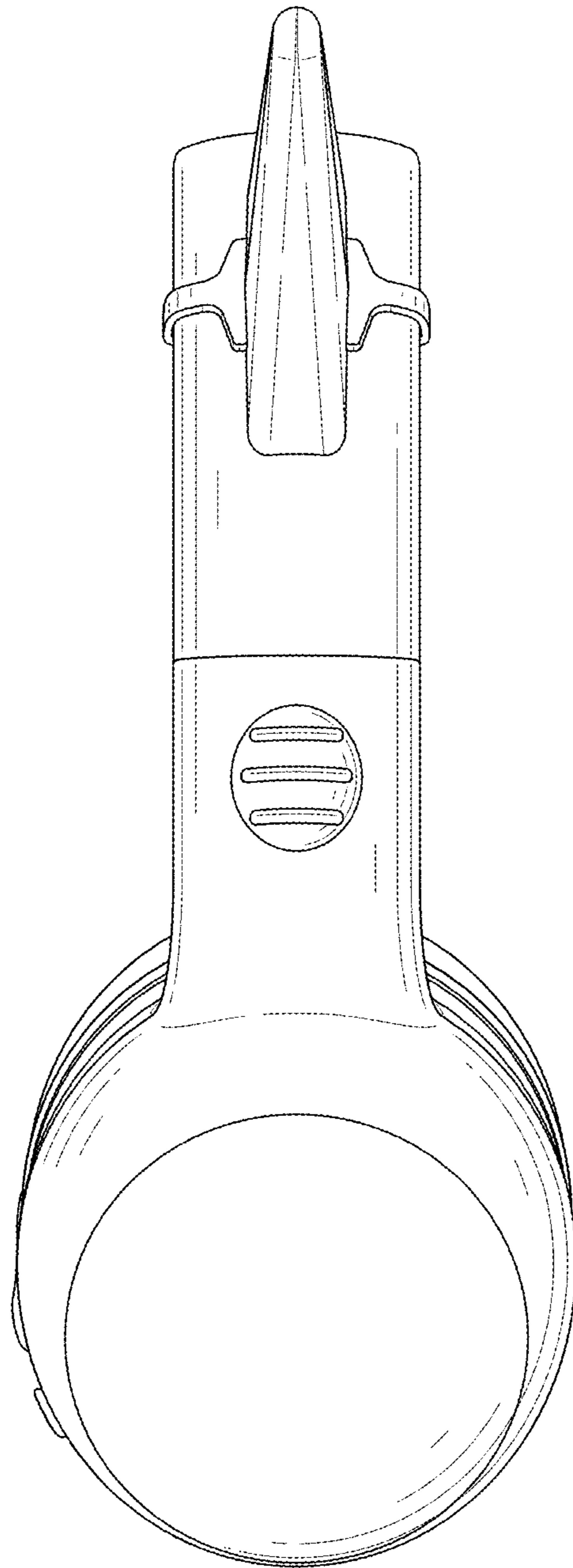


FIG. 6

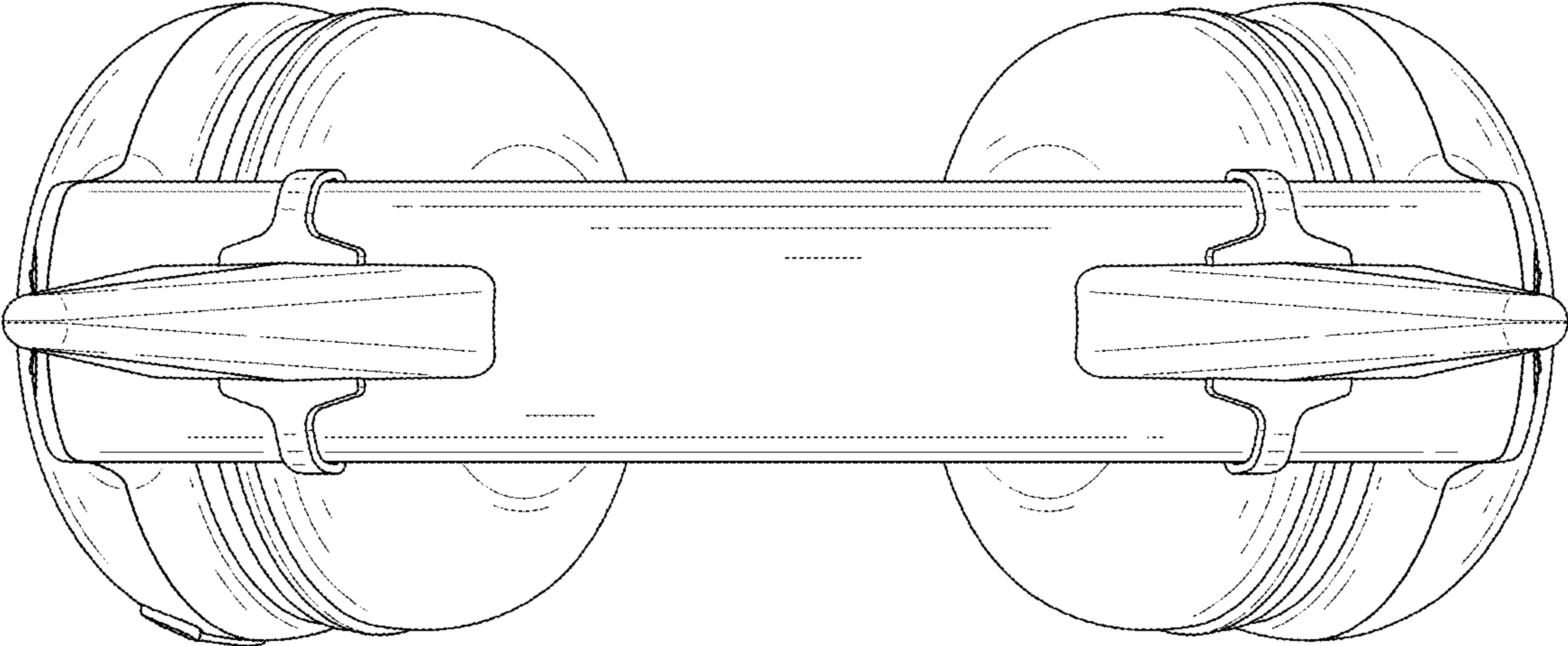


FIG. 7

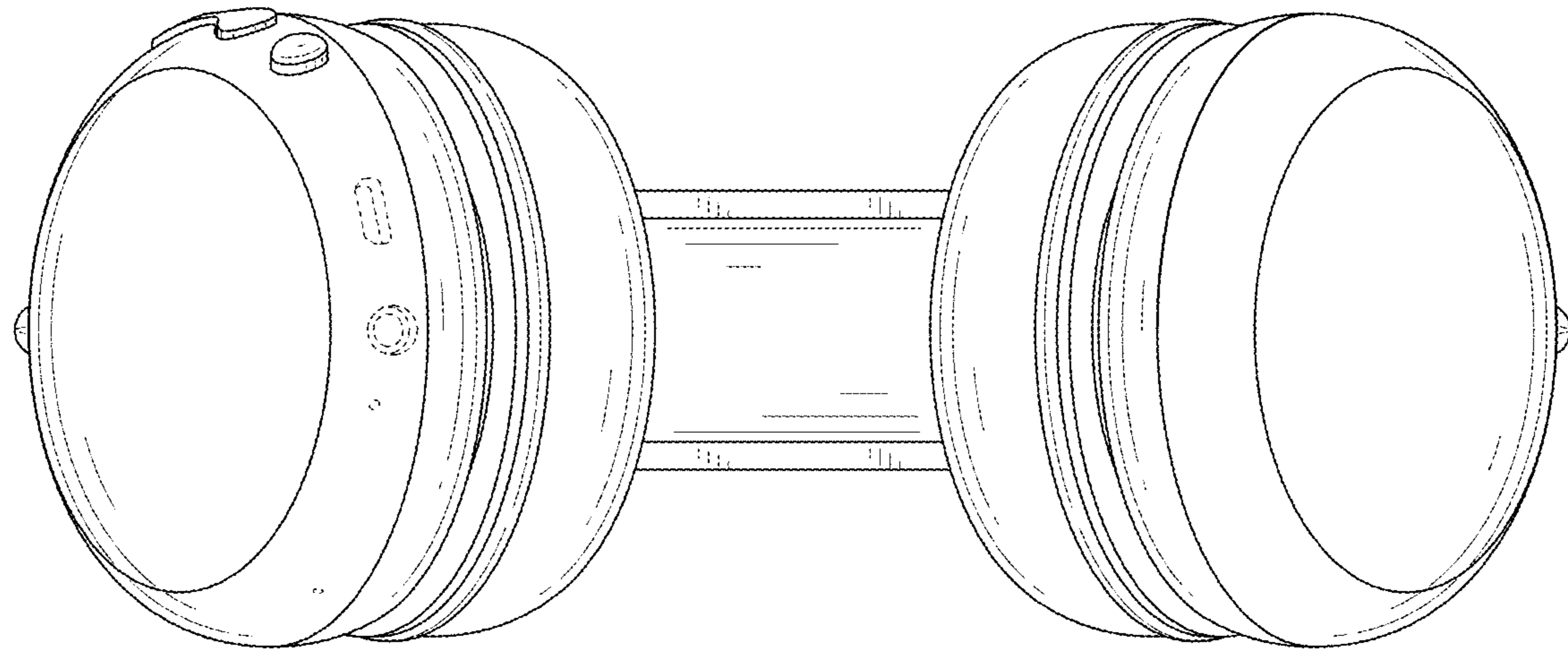


FIG. 8