



US00D909988S

(12) **United States Design Patent** (10) **Patent No.:** **US D909,988 S**  
**Vaclavik et al.** (45) **Date of Patent:** **\*\* Feb. 9, 2021**

(54) **HEADPHONE**  
(71) Applicant: **Harman International Industries, Incorporated, Northridge, CA (US)**  
(72) Inventors: **Ondrej Vaclavik, Shenzhen (CN); Alexander Demin, Shenzhen (CN)**  
(73) Assignee: **Harman International Industries, Incorporated, Northridge, CA (US)**

D683,329 S \* 5/2013 Hagelin ..... D14/205  
D691,579 S \* 10/2013 Lee ..... D14/205  
D693,791 S \* 11/2013 Troy ..... D14/205  
D697,048 S 1/2014 Pavitsich  
D739,842 S \* 9/2015 Birger ..... D14/205  
D742,357 S \* 11/2015 Chung ..... D14/205  
D743,369 S 11/2015 Mackiewicz et al.  
D763,223 S 8/2016 Czaniecki  
D768,110 S \* 10/2016 Suzuki ..... D14/205

(Continued)

(\*\*) Term: **15 Years**

(21) Appl. No.: **29/704,338**

(22) Filed: **Sep. 4, 2019**

(51) **LOC (13) Cl.** ..... **14-01**

(52) **U.S. Cl.**  
USPC ..... **D14/205**

(58) **Field of Classification Search**  
USPC ..... D14/205, 188, 192; D29/112; 2/209;  
381/380, 381, 374; 455/90.3, 575.1,  
455/569.1  
CPC ..... H04R 25/00; H04R 25/02; H04R 1/1066;  
H04R 1/1016; H04R 5/033; H04R  
5/0335; H04R 1/1091; H04R 1/1058  
See application file for complete search history.

**FOREIGN PATENT DOCUMENTS**

EM 005835428-0001 \* 11/2018  
EM 007481221-0003 \* 1/2020  
GB 6064139 \* 6/2019

**OTHER PUBLICATIONS**

Design U.S. Appl. No. 29/631,227, filed Dec. 28, 2017.

(Continued)

*Primary Examiner* — Paula Allen Greene  
(74) *Attorney, Agent, or Firm* — Plumsea Law Group, LLC

(57) **CLAIM**

The ornamental design for a headphone, as shown and described.

**DESCRIPTION**

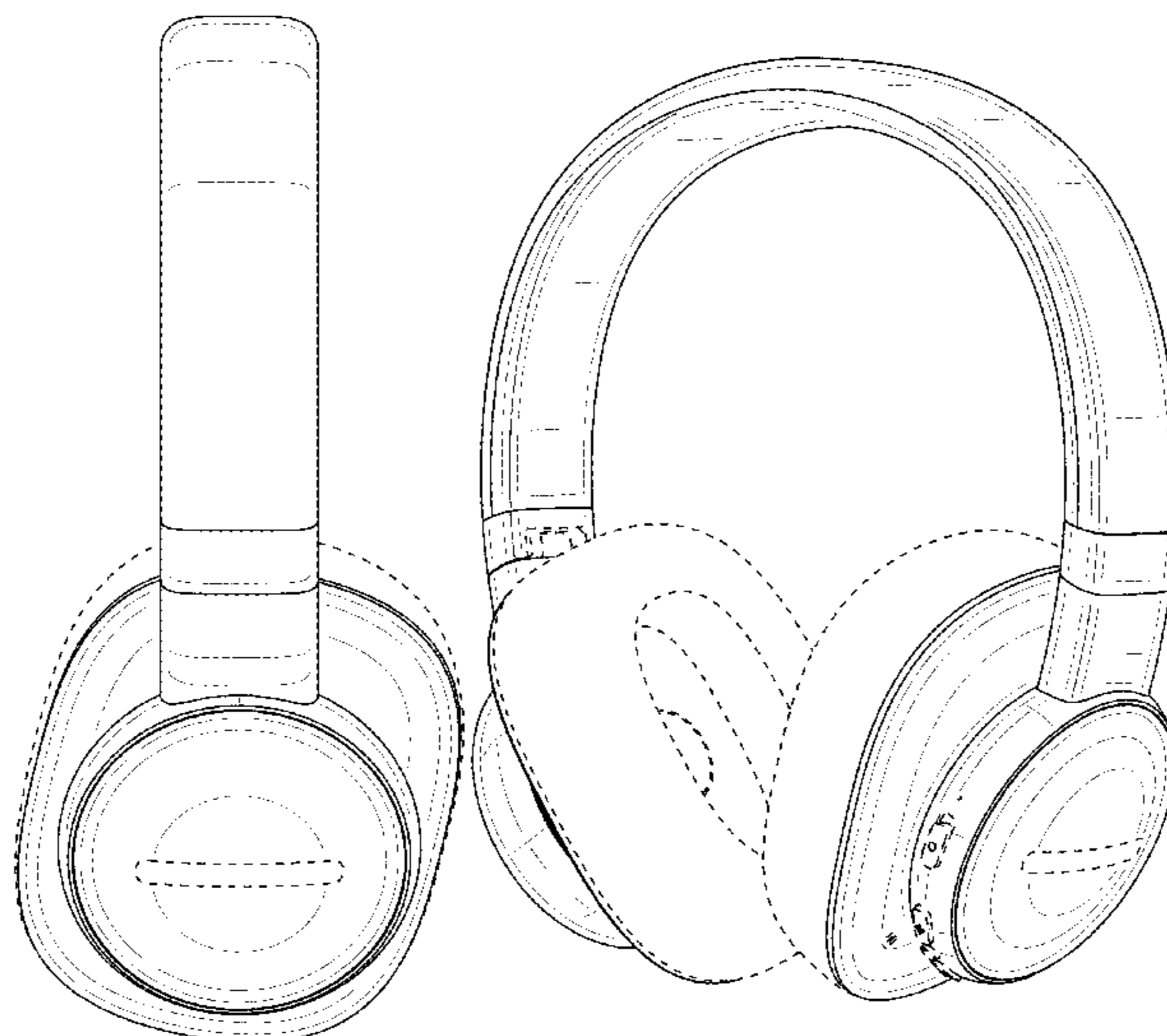
FIG. 1 is a front elevational view of a headphone showing the new design;  
FIG. 2 is a rear elevational view thereof;  
FIG. 3 is a left side elevational view thereof;  
FIG. 4 is a right side elevational view thereof;  
FIG. 5 is a top view thereof;  
FIG. 6 is a bottom view thereof;  
FIG. 7 is a front perspective view thereof; and,  
FIG. 8 is a rear perspective view thereof.  
The broken lines illustrate portions of the headphone that form no part of the claimed design.

**1 Claim, 8 Drawing Sheets**

(56) **References Cited**

**U.S. PATENT DOCUMENTS**

D328,461 S \* 8/1992 Daido ..... D14/205  
D353,817 S \* 12/1994 Wada ..... D14/205  
D484,485 S \* 12/2003 Matsuoka ..... D14/205  
7,072,483 B2 \* 7/2006 Lenhard-Backhaus .....  
H04R 1/1066  
381/370  
D540,301 S \* 4/2007 Obata ..... D14/205  
D573,581 S \* 7/2008 Gondo ..... D14/205  
D632,668 S \* 2/2011 Brunner ..... D14/205  
D642,554 S \* 8/2011 Schaal ..... D14/205  
D673,136 S \* 12/2012 Kelly ..... D14/205  
D675,595 S \* 2/2013 Cho ..... D14/205  
D678,860 S \* 3/2013 Hagelin ..... D14/205



(56)

References Cited

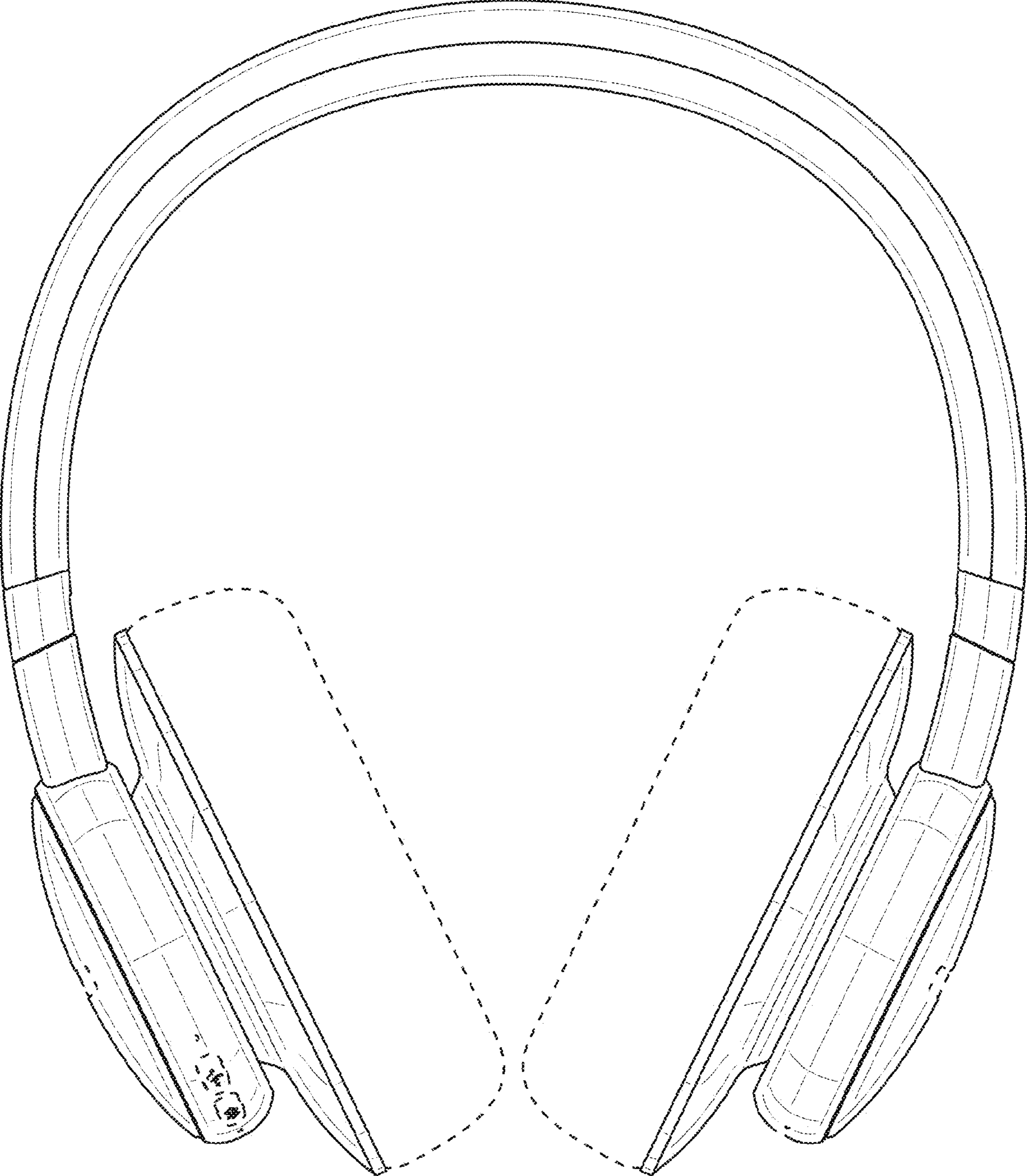
OTHER PUBLICATIONS

U.S. PATENT DOCUMENTS

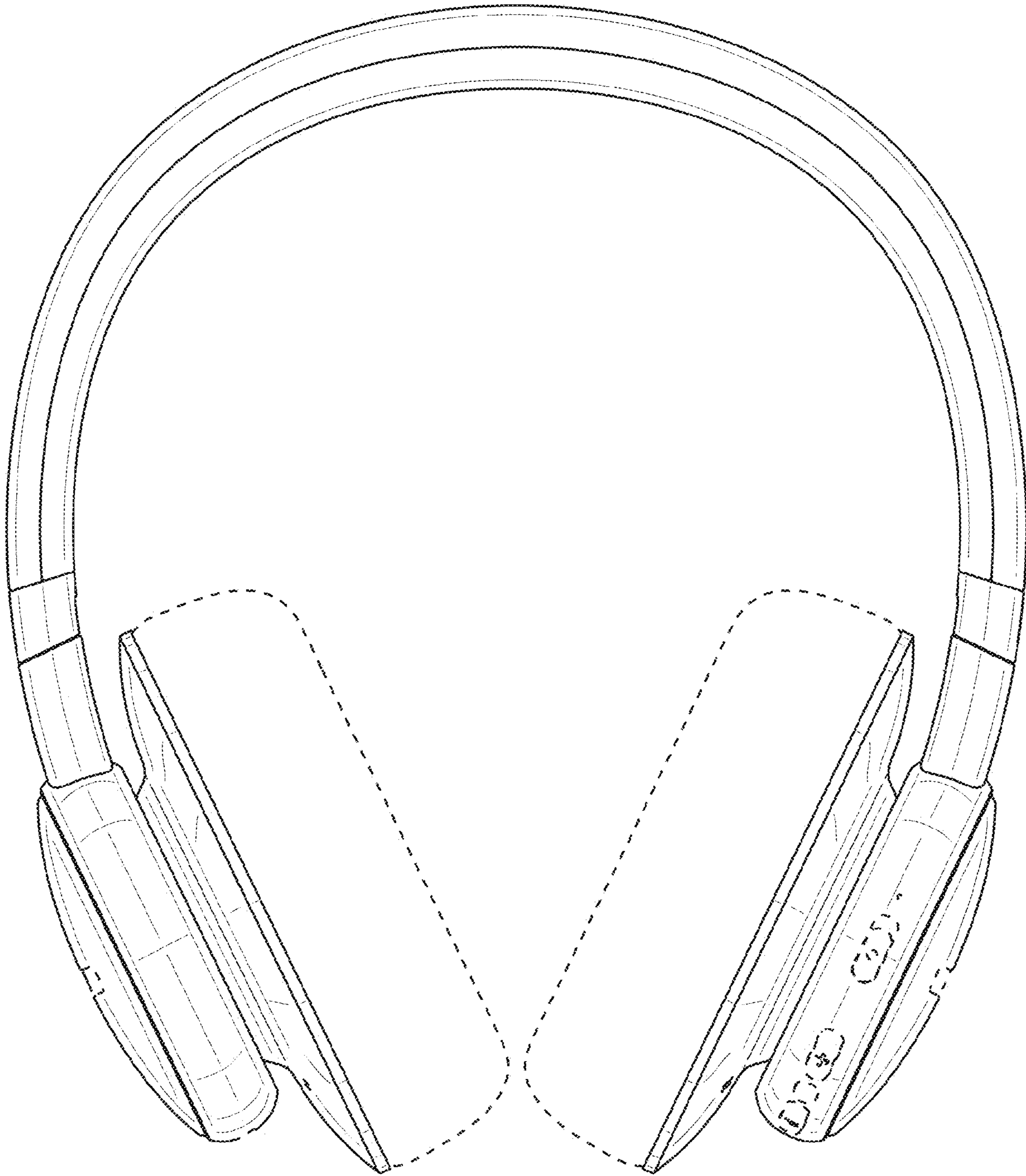
D769,842 S \* 10/2016 Rouffiat ..... D14/205  
 D777,701 S \* 1/2017 Czaniecki  
 D787,470 S \* 5/2017 Kelly ..... D14/205  
 D794,602 S \* 8/2017 Riggs ..... D14/205  
 D811,364 S 2/2018 Park  
 D811,365 S 2/2018 Czaniecki  
 D826,208 S 8/2018 Czaniecki  
 D851,627 S \* 6/2019 ter Laag ..... D14/205  
 D852,777 S \* 7/2019 Park ..... D14/206  
 D857,652 S \* 8/2019 Wang ..... D14/205  
 D858,483 S \* 9/2019 Hu ..... D14/205  
 D860,161 S \* 9/2019 Xia ..... D14/205  
 D877,114 S \* 3/2020 Lindenberger ..... D14/205  
 D877,716 S \* 3/2020 Hu ..... D14/205  
 D879,742 S \* 3/2020 Hu ..... D14/205  
 D888,008 S \* 6/2020 Yook ..... D14/205  
 D889,432 S \* 7/2020 Brunner ..... D14/205  
 D893,452 S \* 8/2020 Yook ..... D14/205  
 D894,867 S \* 9/2020 Choe ..... D14/205  
 2010/0310093 A1 \* 12/2010 Semcken ..... H04R 1/1058  
 381/104  
 2014/0268508 A1 \* 9/2014 Czarnecki ..... H04R 5/0335  
 361/679.01

Design U.S. Appl. No. 29/631,192, filed Dec. 28, 2017.  
 Design U.S. Appl. No. 29/661,343, filed Aug. 27, 2018.  
 Design U.S. Appl. No. 29/661,346, filed Aug. 27, 2018.  
 Design U.S. Appl. No. 29/661,389, filed Aug. 27, 2018.  
 Design U.S. Appl. No. 29/675,542, filed Jan. 3, 2019.  
 Design U.S. Appl. No. 29/688,598, filed Apr. 23, 2019.  
 Design U.S. Appl. No. 29/703,423, filed Aug. 27, 2019.  
 Design U.S. Appl. No. 29/703,425, filed Aug. 27, 2019.  
 Design U.S. Appl. No. 29/703,432, filed Aug. 27, 2019.  
 Design U.S. Appl. No. 29/703,437, filed Aug. 27, 2019.  
 2013 Harman Kardon Headphones NC Specification Sheet.  
 2014 Harman Kardon Soho Wireless Headset Specification Sheet.  
 Harman Kardon NC Headphones Web Page dated Mar. 4, 2016.  
 Retrieved Oct. 16, 2019 from internet: <<https://web.archive.org/web/20160304051403/http://www.harmanaudio.com:80/HARKAR-NC-Z.html>>.

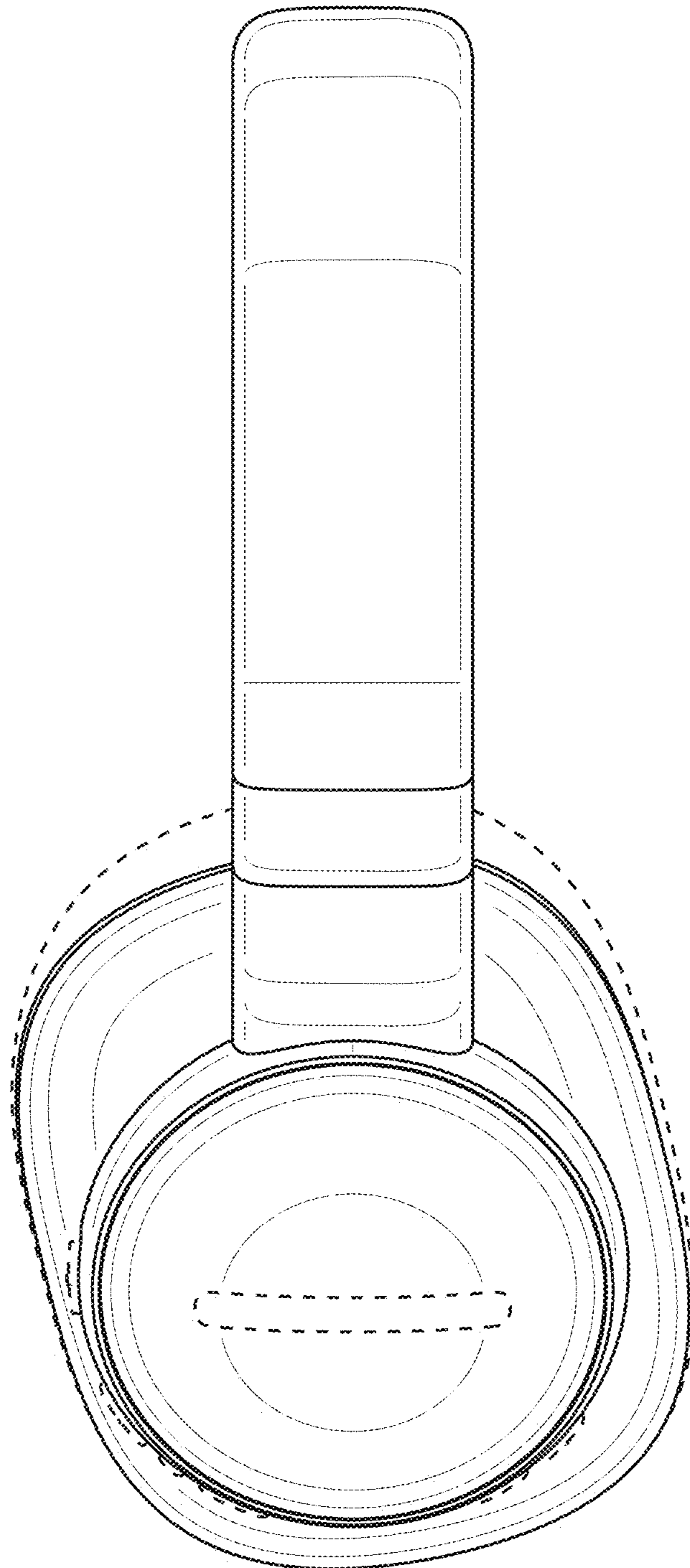
\* cited by examiner



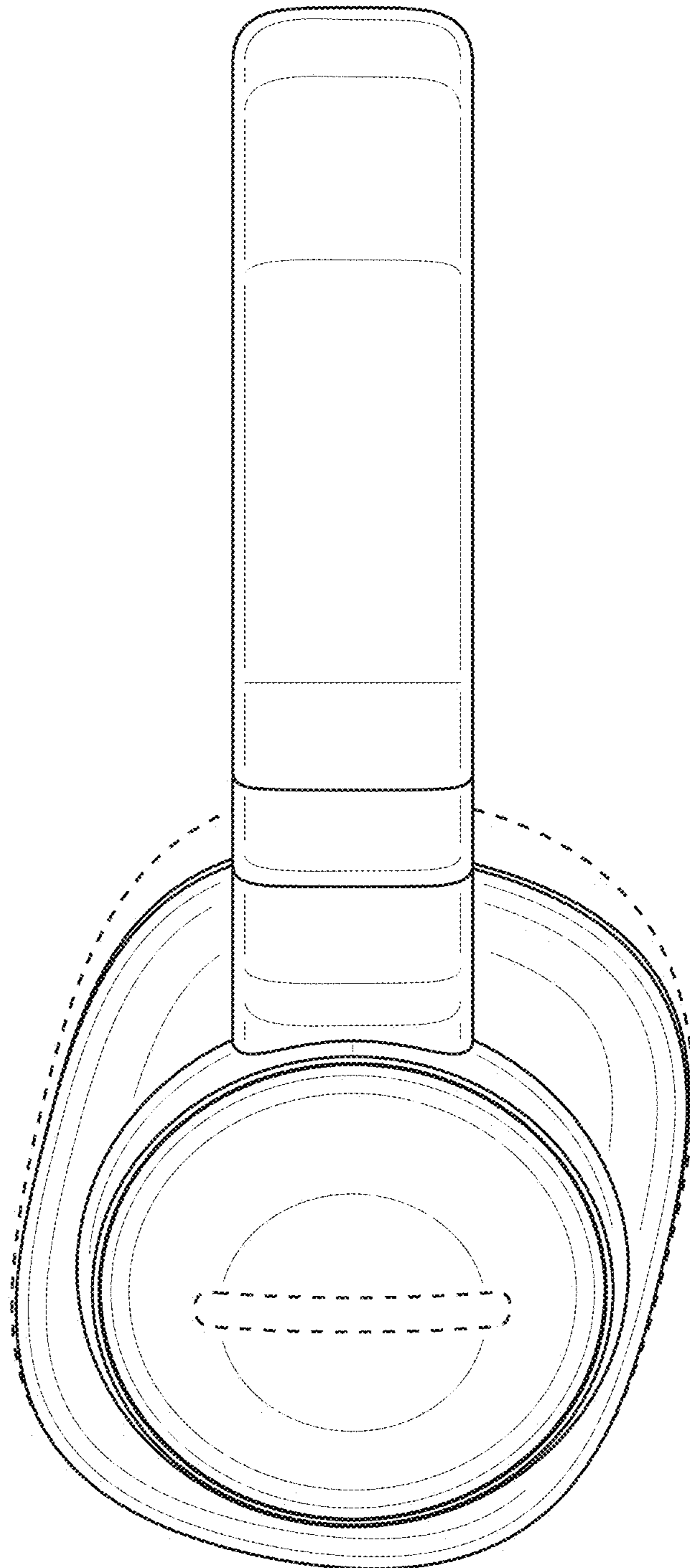
**FIG. 1**



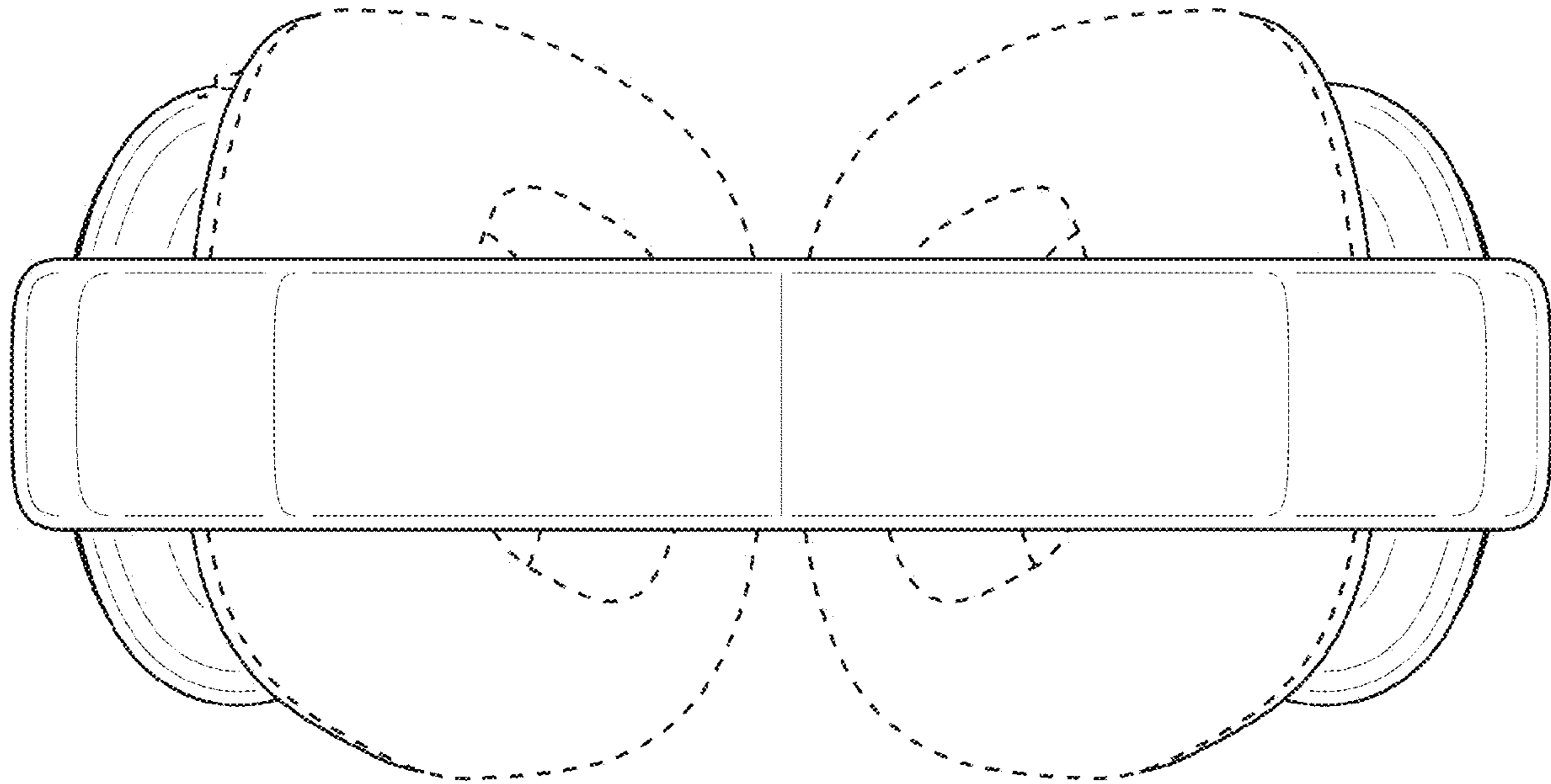
**FIG. 2**



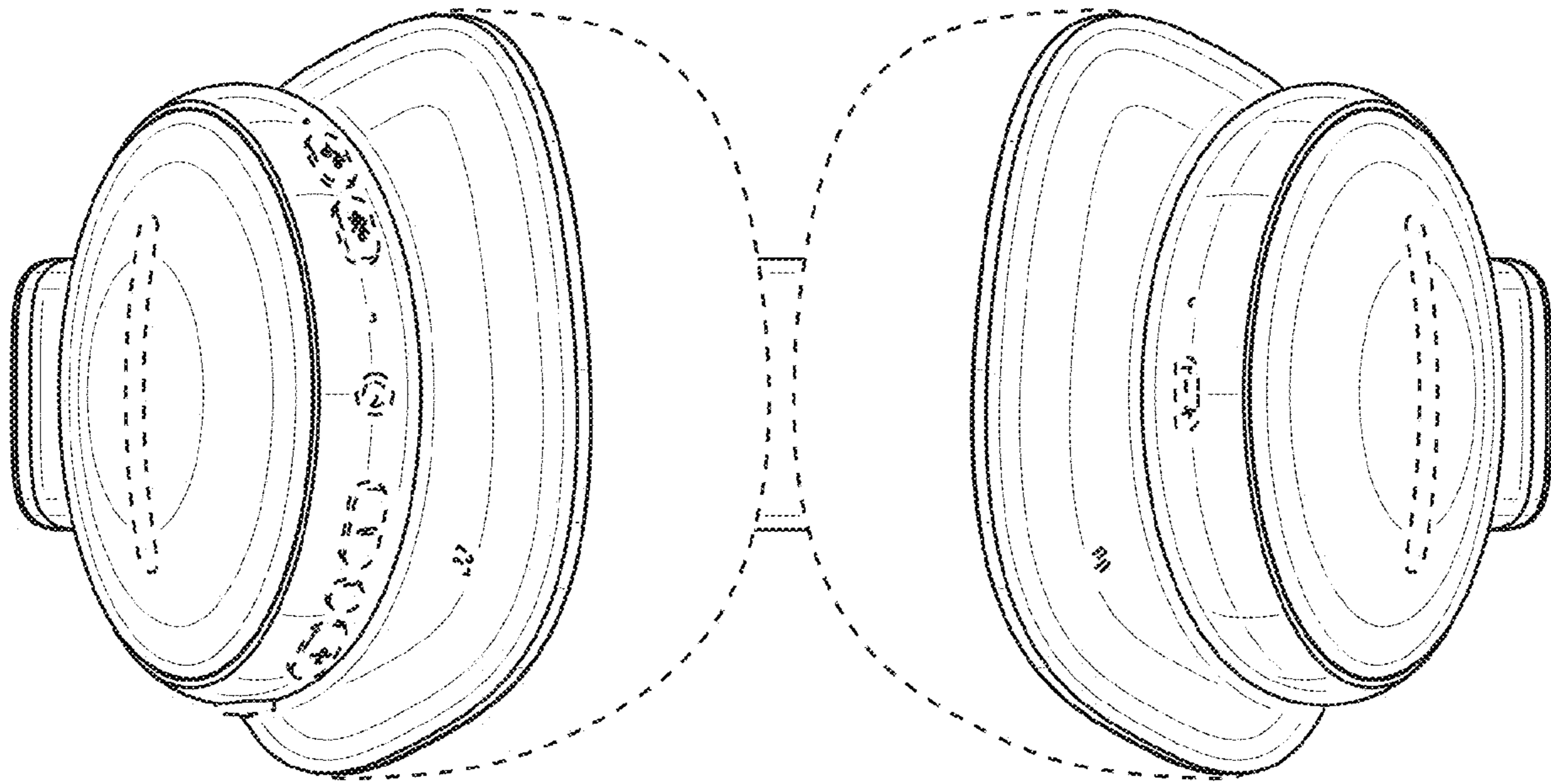
**FIG. 3**



**FIG. 4**

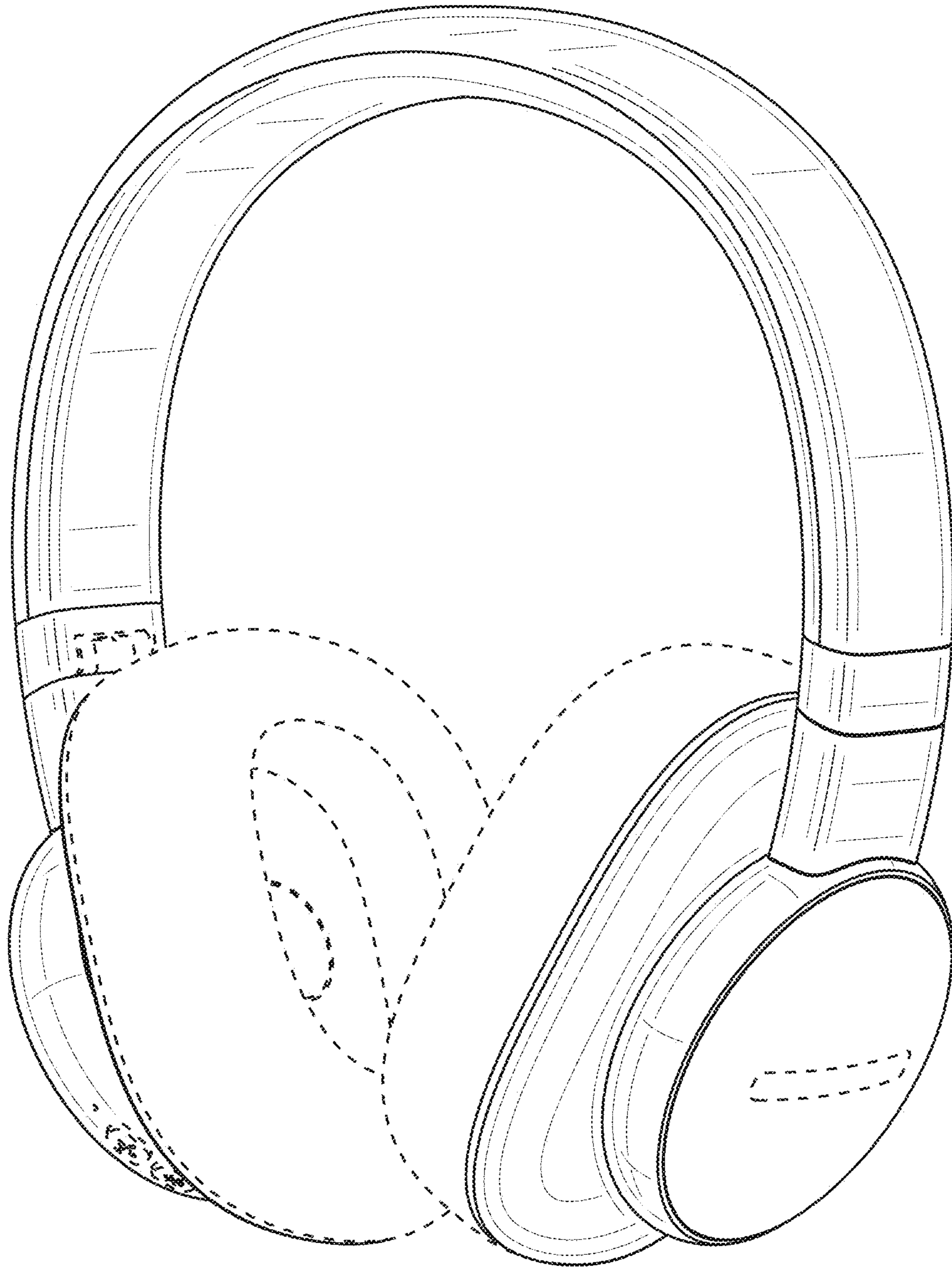


**FIG. 5**

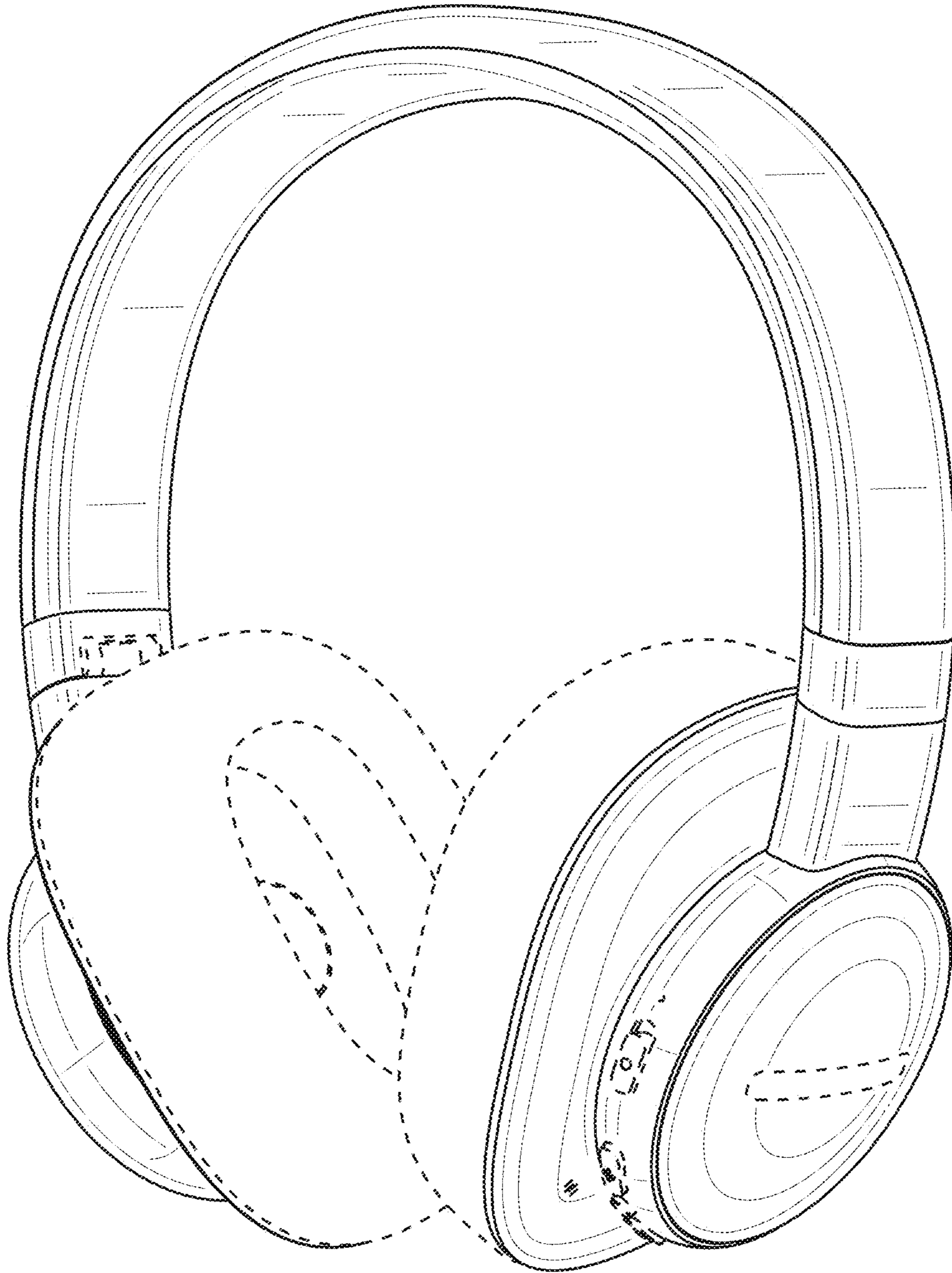


**FIG. 6**





**FIG. 7**



**FIG. 8**