



US00D909986S

(12) **United States Design Patent**
Wu

(10) **Patent No.:** **US D909,986 S**

(45) **Date of Patent:** **** Feb. 9, 2021**

(54) **HD VIDEO RECORDER WITH SCREEN**

(71) Applicant: **Mingjun Wu**, Guangdong (CN)

(72) Inventor: **Mingjun Wu**, Guangdong (CN)

(**) Term: **15 Years**

(21) Appl. No.: **29/698,253**

(22) Filed: **Jul. 16, 2019**

(51) **LOC (13) Cl.** **14-03**

(52) **U.S. Cl.**
USPC **D14/203.7**; D14/496; D14/125

(58) **Field of Classification Search**
USPC D14/496-511, 125, 168-172, 188-196,
D14/203.1-203.8, 204, 207, 209.1-216,
D14/217, 383, 387; 455/566, 575.1,
455/575.8, 93, 95, 100
CPC B60K 35/00; B60K 37/00; B60K 37/02;
B60K 37/06; B60R 11/02; G11B 17/02;
G11B 17/04

See application file for complete search history.

(56) **References Cited**

U.S. PATENT DOCUMENTS

D290,252 S * 6/1987 Rutkowski D14/167
D400,193 S * 10/1998 Small D14/420

D493,815 S * 8/2004 Giordano D14/383
D633,079 S * 2/2011 Hsu D14/203.7
D658,155 S * 4/2012 Ohta D14/203.7
D662,948 S * 7/2012 Liang D14/496
D706,264 S * 6/2014 Taniho D14/125
D735,684 S * 8/2015 Zealer D14/125
D740,250 S * 10/2015 Emami D14/203.7
D809,565 S * 2/2018 Magi D14/496
D844,604 S * 4/2019 Bolotin D14/383

* cited by examiner

Primary Examiner — Sandra L Morris

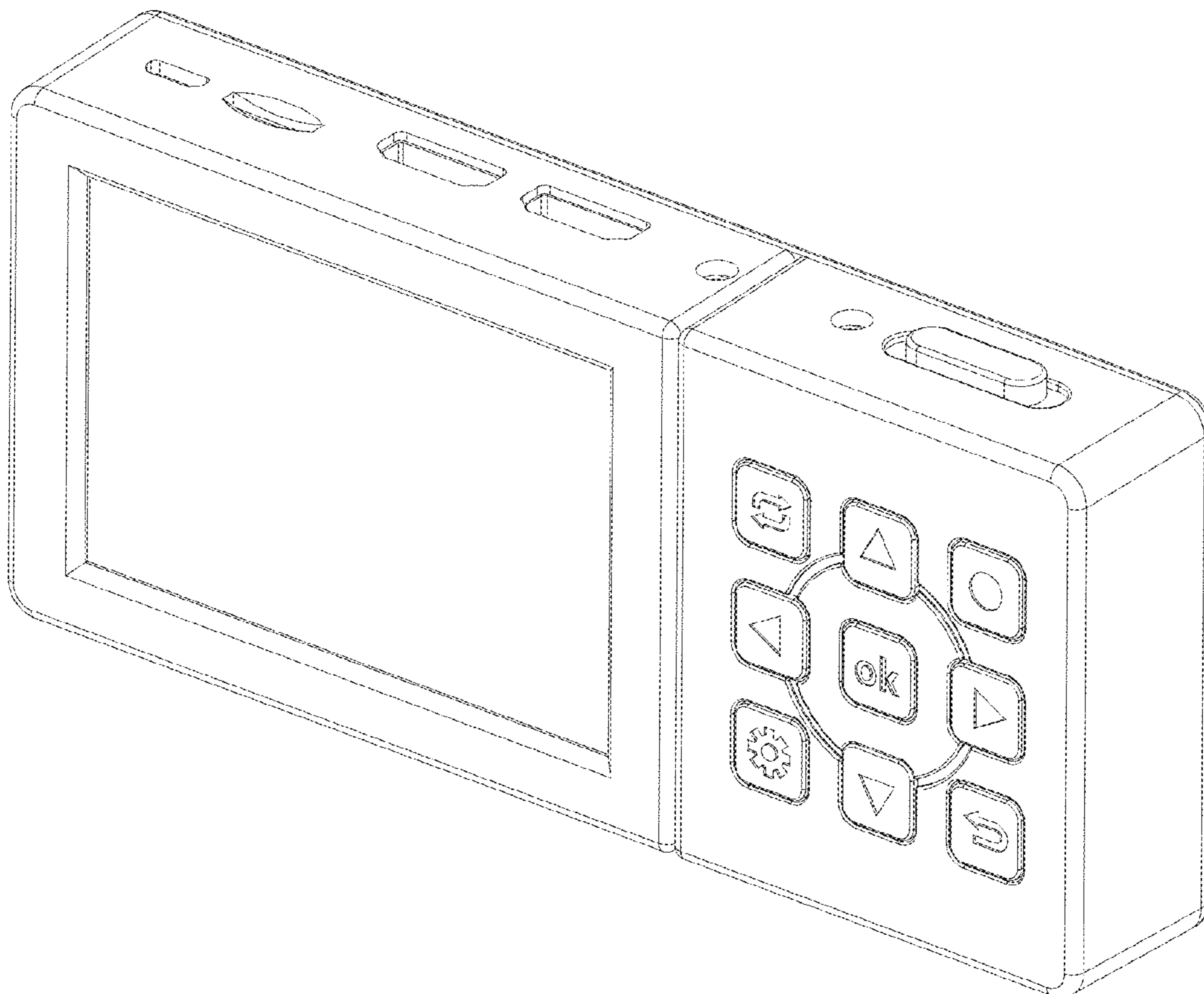
(57) **CLAIM**

The ornamental design for a HD video recorder with screen, as shown and described.

DESCRIPTION

FIG. 1 is a front elevational view of a HD video recorder with screen showing my new design; FIG. 2 is a rear elevational view thereof; FIG. 3 is a left side view thereof; FIG. 4 is a right side view thereof; FIG. 5 is a top plan view thereof; FIG. 6 is a bottom plan view thereof; and, FIG. 7 is a perspective view thereof. The broken lines shown in HD video recorder with screen form no part of the claimed design.

1 Claim, 7 Drawing Sheets



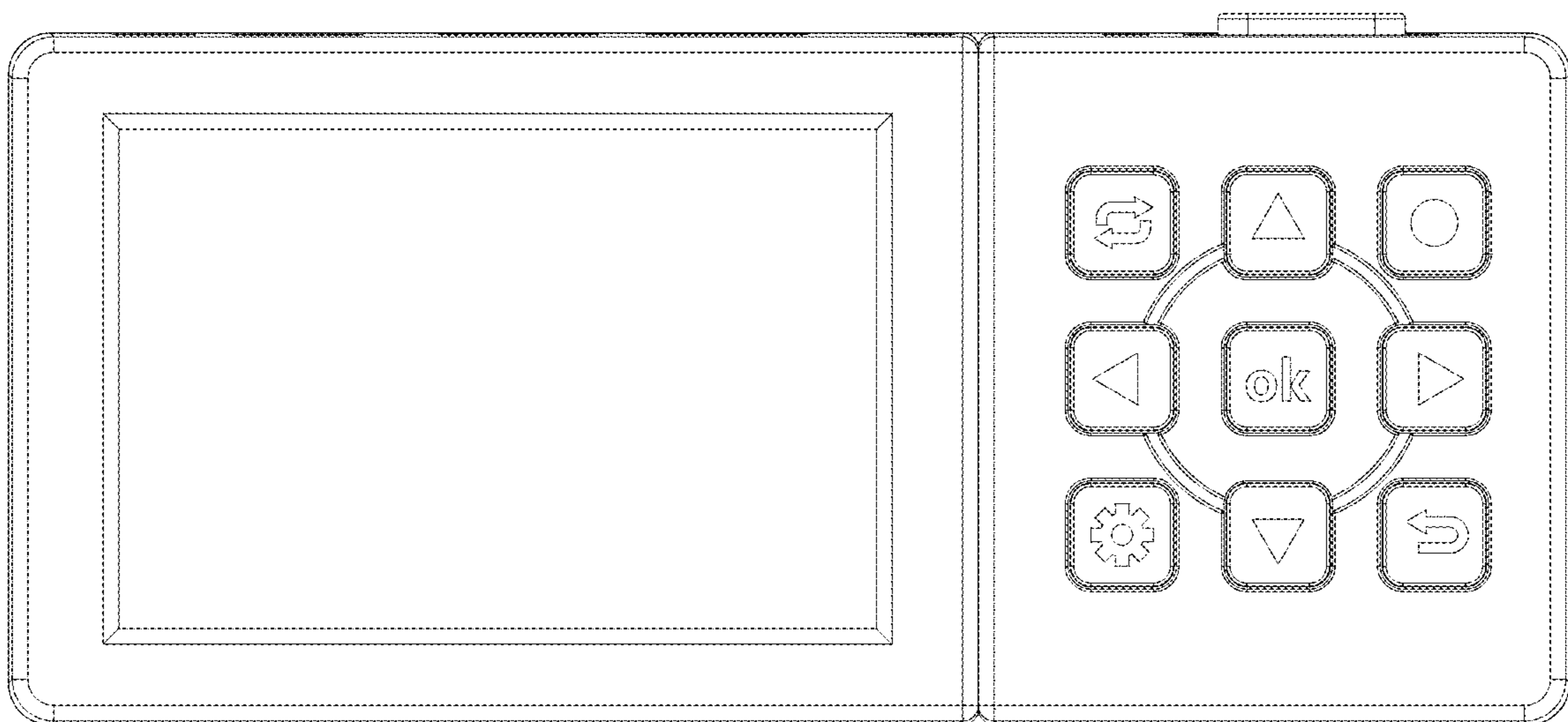


Fig. 1

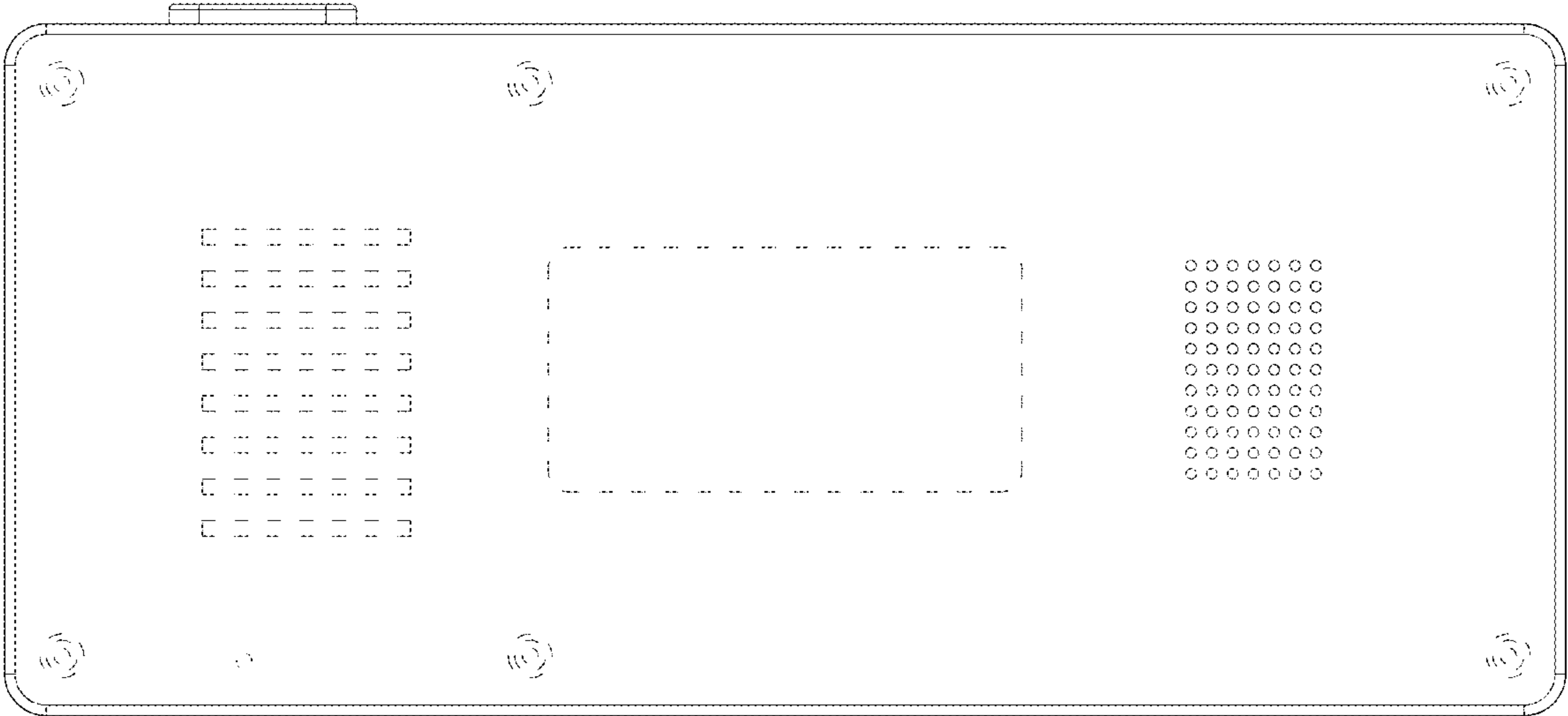


Fig. 2

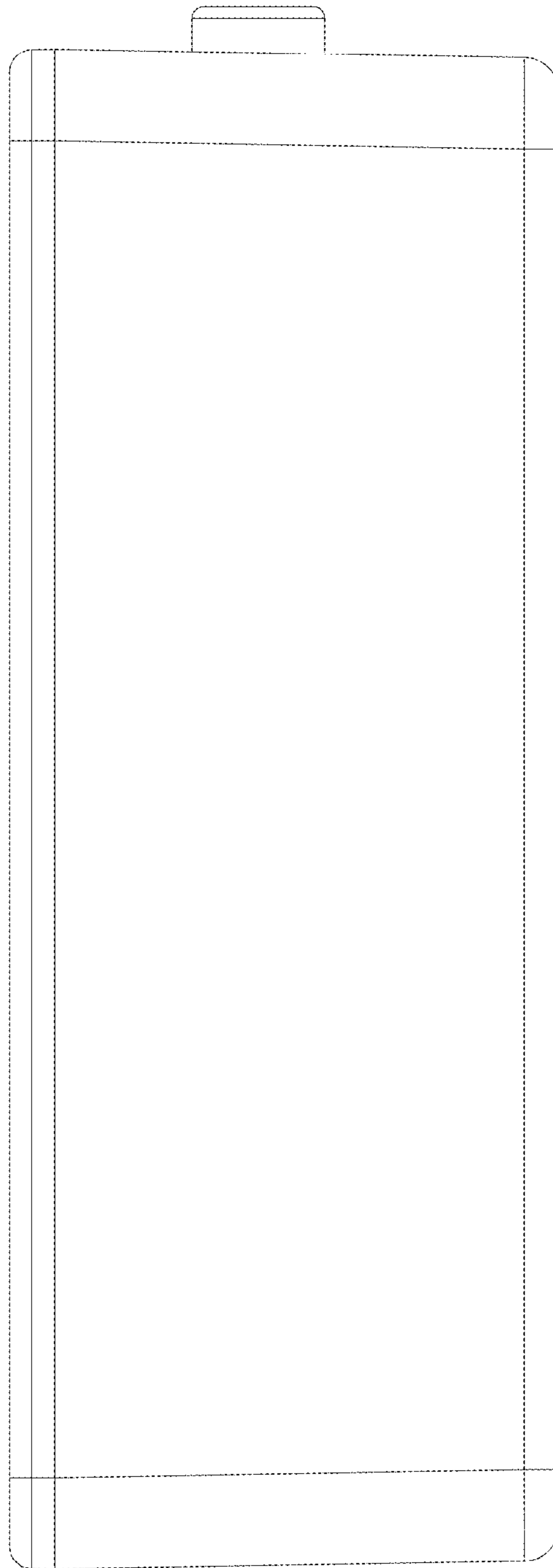


Fig. 3

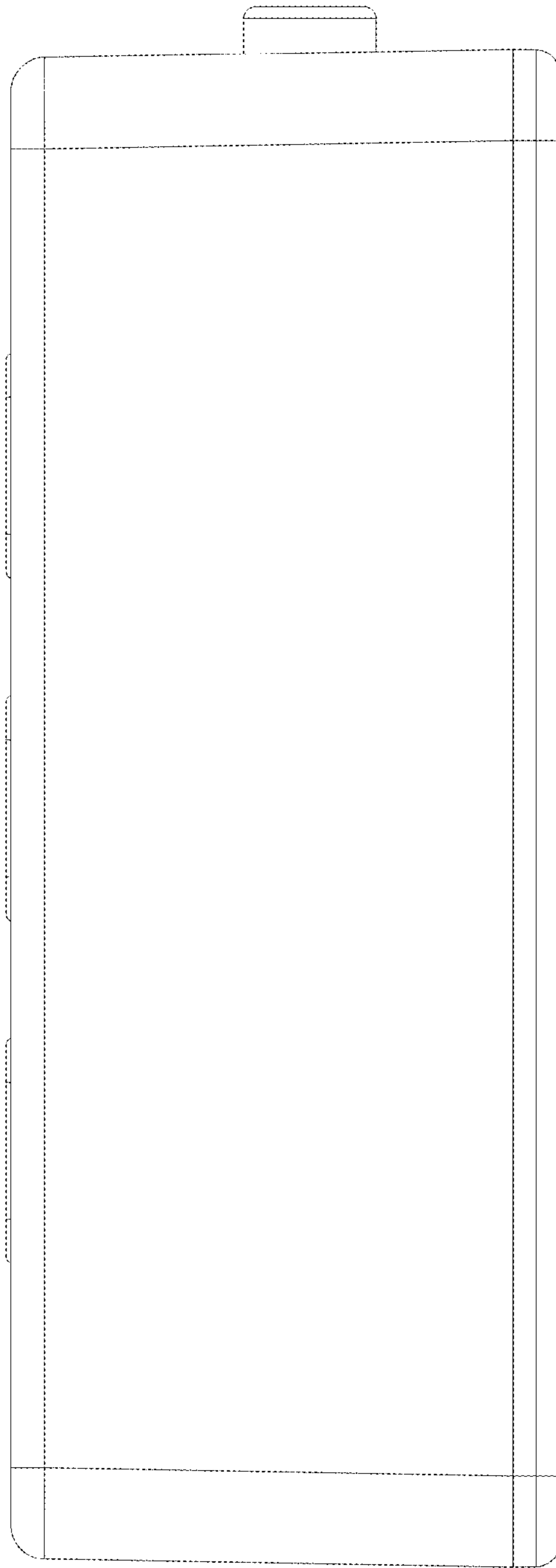


Fig. 4

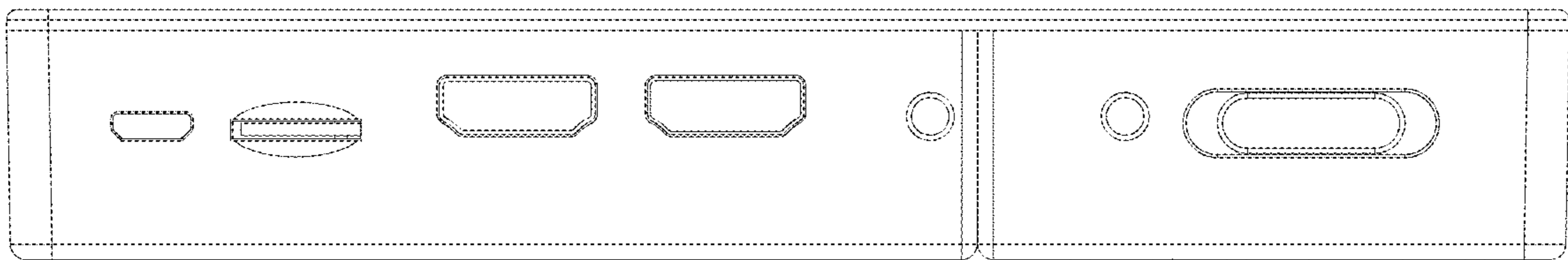


Fig. 5

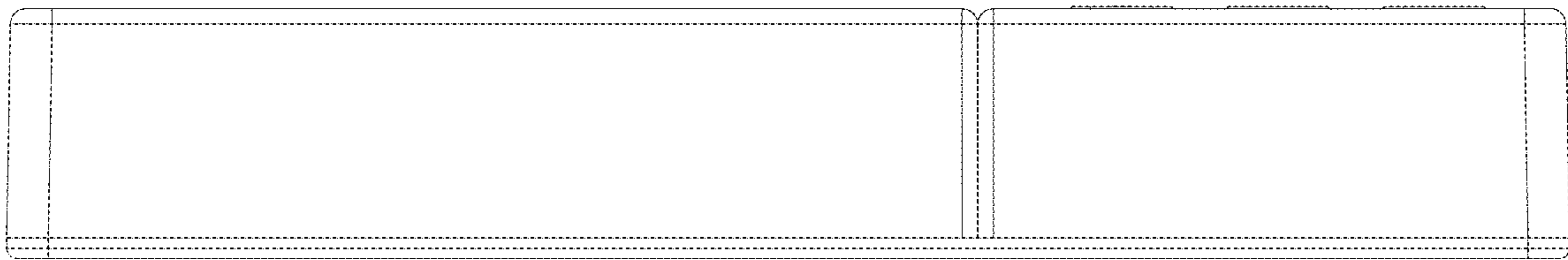


Fig. 6

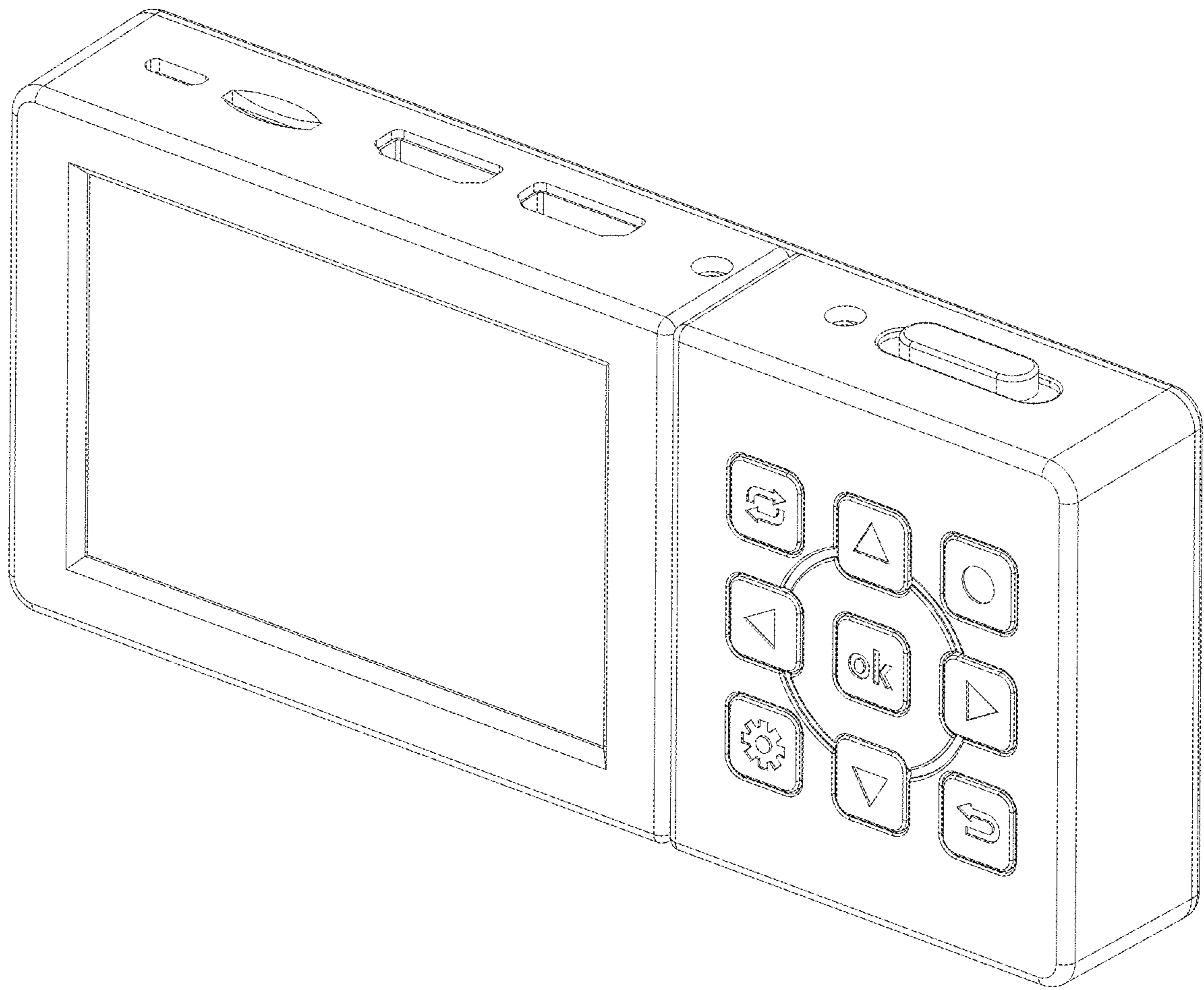


Fig. 7