



US00D909985S

(12) **United States Design Patent**  
**Landerus et al.**

(10) **Patent No.:** **US D909,985 S**  
(45) **Date of Patent:** **\*\* Feb. 9, 2021**

(54) **ELECTRONIC DEVICE**

- (71) Applicant: **Spotify AB**, Stockholm (SE)
- (72) Inventors: **Richard Landerus**, Stockholm (SE);  
**Jonas Samrelius**, Stockholm (SE)
- (73) Assignee: **Spotify AB**, Stockholm (SE)
- (\*\*) Term: **15 Years**
- (21) Appl. No.: **29/646,733**
- (22) Filed: **May 7, 2018**
- (30) **Foreign Application Priority Data**

Jan. 3, 2018 (EM) ..... 004734127-0001

- (51) **LOC (13) Cl.** ..... **14-01**
- (52) **U.S. Cl.**

USPC ..... **D14/203.1**; D14/218; D21/333

(58) **Field of Classification Search**

USPC ..... D14/168, 188, 194–196, 204, 20–216,  
D14/203.1–203.8, 217, 218, 388–402,  
D14/412, 414, 416, 432, 496; D21/314,  
D21/318, 333, 385, 477, 566

CPC ... B60R 11/0217; G06F 1/1688; G06F 3/016;  
G06F 3/017; G06F 3/038; G06F 3/0338;  
G06F 3/0354; G06F 19/321; G06F  
2200/1612; G10K 9/22; G10K 11/004;  
H03F 1/327; H04M 1/03; H04M 1/035;  
H04M 1/7253; H04M 1/72544; H04N  
5/642; H04N 21/4852; H04N 21/4781;  
H04R 1/02; H04R 1/06; H04R 1/021;  
H04R 1/025; H04R 1/026; H04R 1/028;  
H04R 1/105; H04R 1/323; H04R 1/403;  
H04R 1/2803; H04R 1/2837; H04R 5/02;  
H04R 7/20; H04R 9/06; H04R 9/025;  
H04R 2201/021; H04R 2400/00; H04R  
2400/07; H04R 2400/11; H04R 2499/11;  
H04R 2499/13; H04R 2499/15; H04S  
3/00; H04S 7/30; A63F 3/00643; A63F  
9/24; A63F 13/00; A63F 13/02; A63F  
13/04; A63F 13/06; A63F 13/10; A63F  
13/12; A63F

(Continued)

(56) **References Cited**

U.S. PATENT DOCUMENTS

D479,712 S 9/2003 Ng  
D490,068 S 5/2004 Chen  
(Continued)

FOREIGN PATENT DOCUMENTS

EM 000007901-0001 4/2003  
EM 000120464-0001 12/2003  
(Continued)

OTHER PUBLICATIONS

PCMag.com; Kan, Michael; “Spotify tests voice-controlled device for cars”; [online] ‘www.aupcmag.com/news-1/62155/spotify-tests-voice-controlled-device-for-cars’; dated May 18, 2019; accessed Sep. 27, 2020; 2pgs (Year: 2019).\*

(Continued)

*Primary Examiner* — Keli L Hill

(74) *Attorney, Agent, or Firm* — Merchant & Gould P.C.

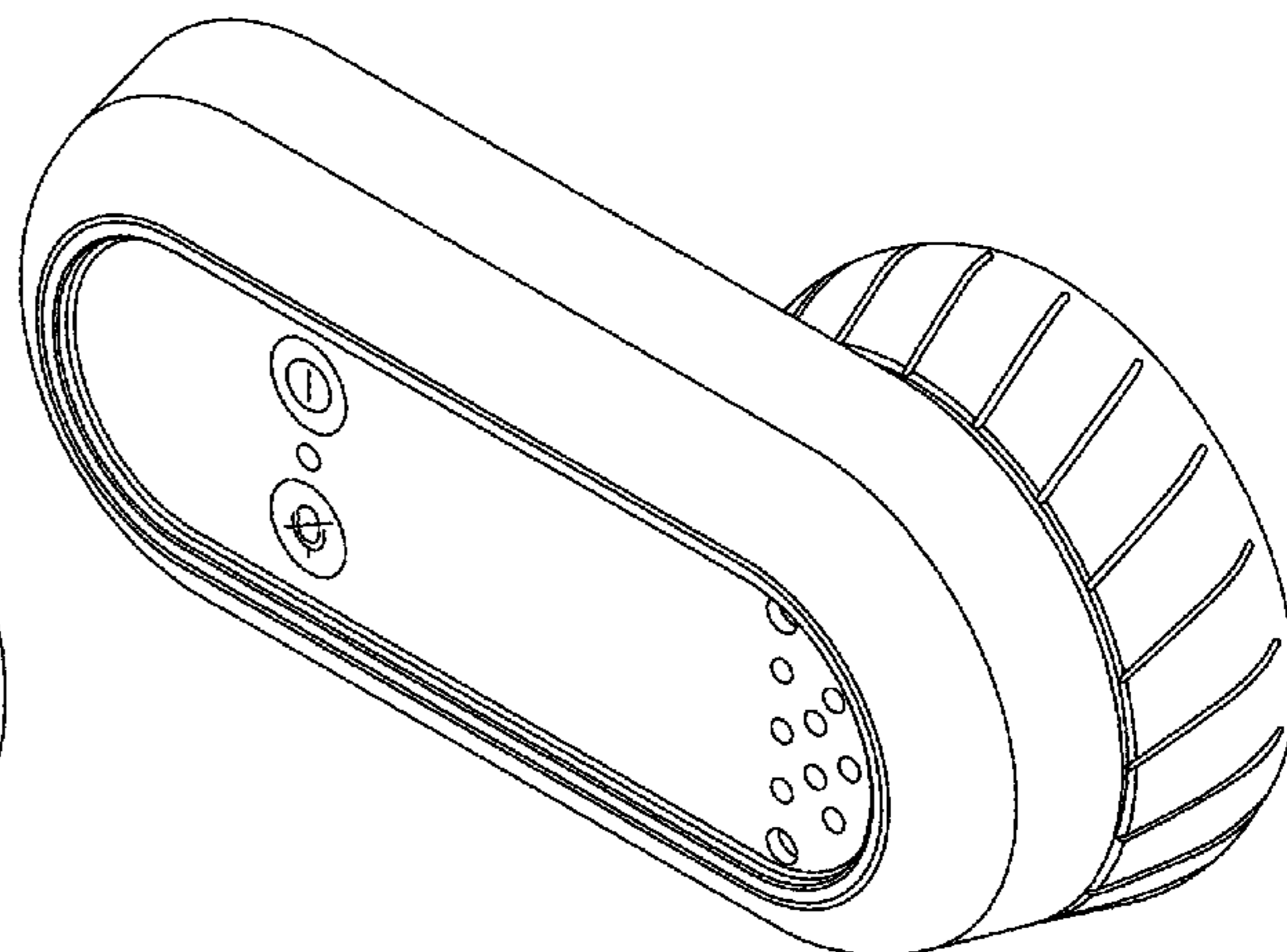
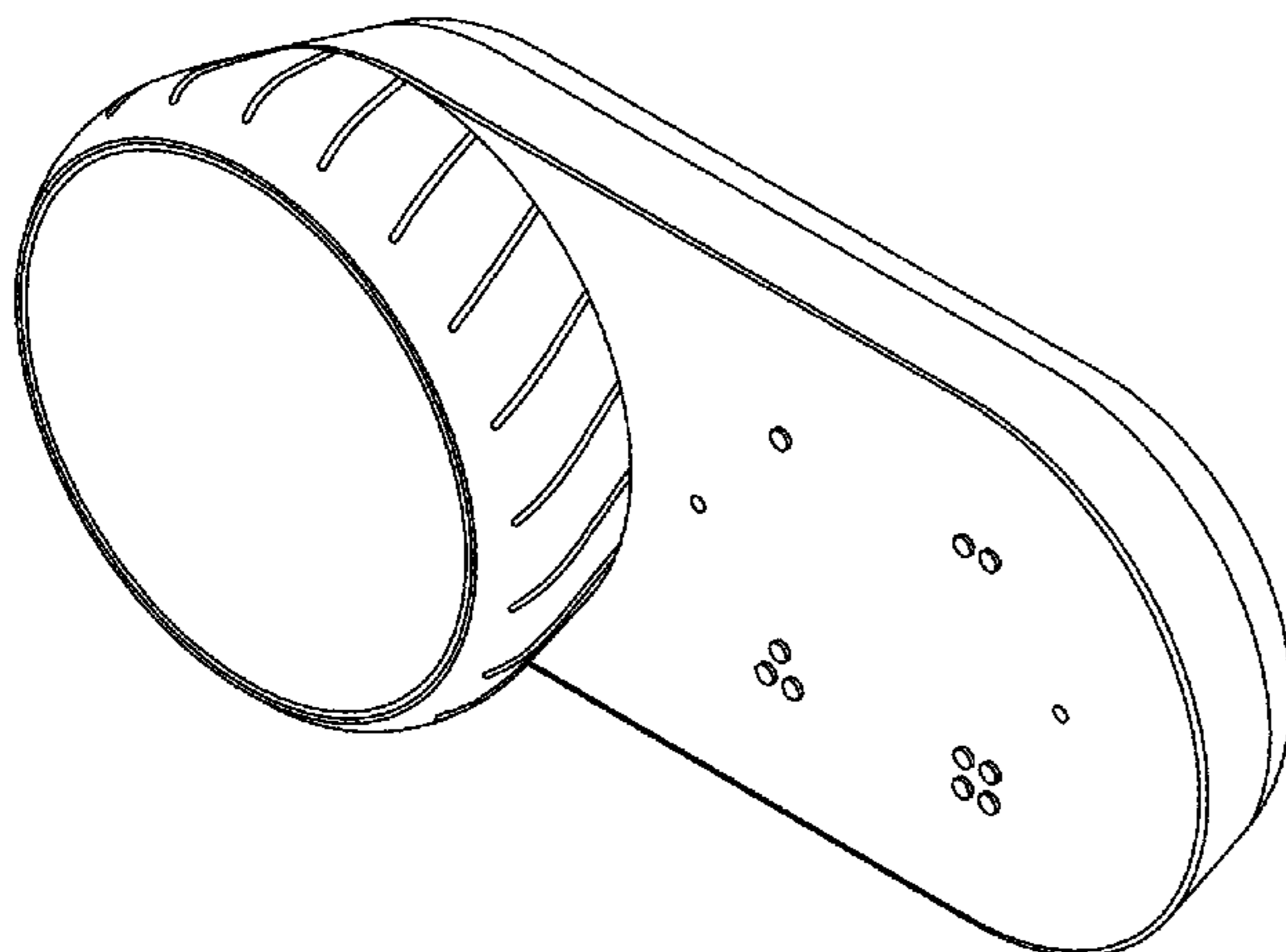
(57) **CLAIM**

The ornamental design for an electronic device, as shown and described.

**DESCRIPTION**

FIG. 1 is front isometric view of an electronic device according to the present disclosure;  
FIG. 2 is a rear isometric view thereof;  
FIG. 3 is a left side view thereof;  
FIG. 4 is a rear view thereof;  
FIG. 5 is a front view thereof;  
FIG. 6 is a right side view thereof; and,  
FIG. 7 is a bottom view thereof.

**1 Claim, 4 Drawing Sheets**



(58) **Field of Classification Search**

CPC ..... 2300/65; A63F 2300/69; A63F 2300/105;  
 A63F 2300/204; A63F 2300/407; A63F  
 2300/1075; A63F 2300/6045; A63F  
 2300/6676; A63F 2300/8088; B62K  
 21/125; B62K 23/02; B62K 23/06; B62M  
 25/04; G05G 1/04; G05G 1/06; G05G  
 9/047; G05G 9/04788; G05G 9/04792;  
 G05G 9/04796; G05G 13/00; G05G  
 2009/04774; G07F 17/32; G07F 17/3216;  
 H01H 23/041; H01H 2239/024

See application file for complete search history.

(56) **References Cited**

U.S. PATENT DOCUMENTS

D512,049 S 11/2005 Yang  
 D524,292 S 7/2006 Tyneski et al.  
 D525,612 S 7/2006 Densho  
 D582,392 S 12/2008 Pauschitz et al.  
 D603,378 S 11/2009 Paradise  
 D606,046 S \* 12/2009 Bradford ..... D14/218  
 D609,698 S 2/2010 Ng  
 D620,926 S 8/2010 Wai  
 D623,629 S 9/2010 Lau  
 D630,620 S 6/2011 Lee et al.  
 D643,399 S 8/2011 Clemons et al.  
 D644,200 S 8/2011 Bolton  
 D664,125 S 7/2012 Koch et al.  
 D674,775 S 1/2013 Bolton  
 D688,313 S \* 8/2013 Brunner ..... D21/333  
 D707,755 S \* 6/2014 Bonnano ..... D21/333  
 D740,369 S \* 10/2015 Cho ..... D21/333  
 D745,597 S \* 12/2015 Alstad ..... D17/20  
 D745,856 S 12/2015 Lopez  
 D758,350 S \* 6/2016 Mulumudi ..... D14/217  
 D773,432 S \* 12/2016 Rowan ..... D14/188  
 D786,653 S \* 5/2017 Oliva Camacho ..... D8/331  
 D794,612 S \* 8/2017 Katopis ..... D14/223  
 D795,041 S \* 8/2017 Oliva Camacho ..... D8/331  
 D799,450 S \* 10/2017 Lee ..... D14/218  
 D815,091 S \* 4/2018 Nguyen ..... D14/356

D870,199 S \* 12/2019 Graham ..... D17/99  
 2007/0108788 A1 5/2007 Shalam et al.  
 2010/0138581 A1 6/2010 Bird et al.  
 2013/0346661 A1 12/2013 Hasenei  
 2015/0237750 A1 8/2015 Yang

FOREIGN PATENT DOCUMENTS

EM 000309992-0001 3/2005  
 EM 001090237-0001 2/2009  
 EM 001094775-0001 2/2009  
 EM 001513623-0001 5/2009  
 EM 001148290-0001 6/2009  
 EM 001148290-0002 6/2009  
 EM 001155840-0001 7/2009  
 EM 001624891-0001 10/2009  
 EM 001185235-0003 12/2009  
 EM 001186126-0001 12/2009  
 EM 002604926-0001 12/2014  
 EP 2019351 A2 1/2009  
 WO D081576-0001 11/2012  
 WO D086478-0008 10/2014  
 WO D089534-0002 1/2016  
 WO D093125-0005 6/2016  
 WO D095082-0001 3/2017

OTHER PUBLICATIONS

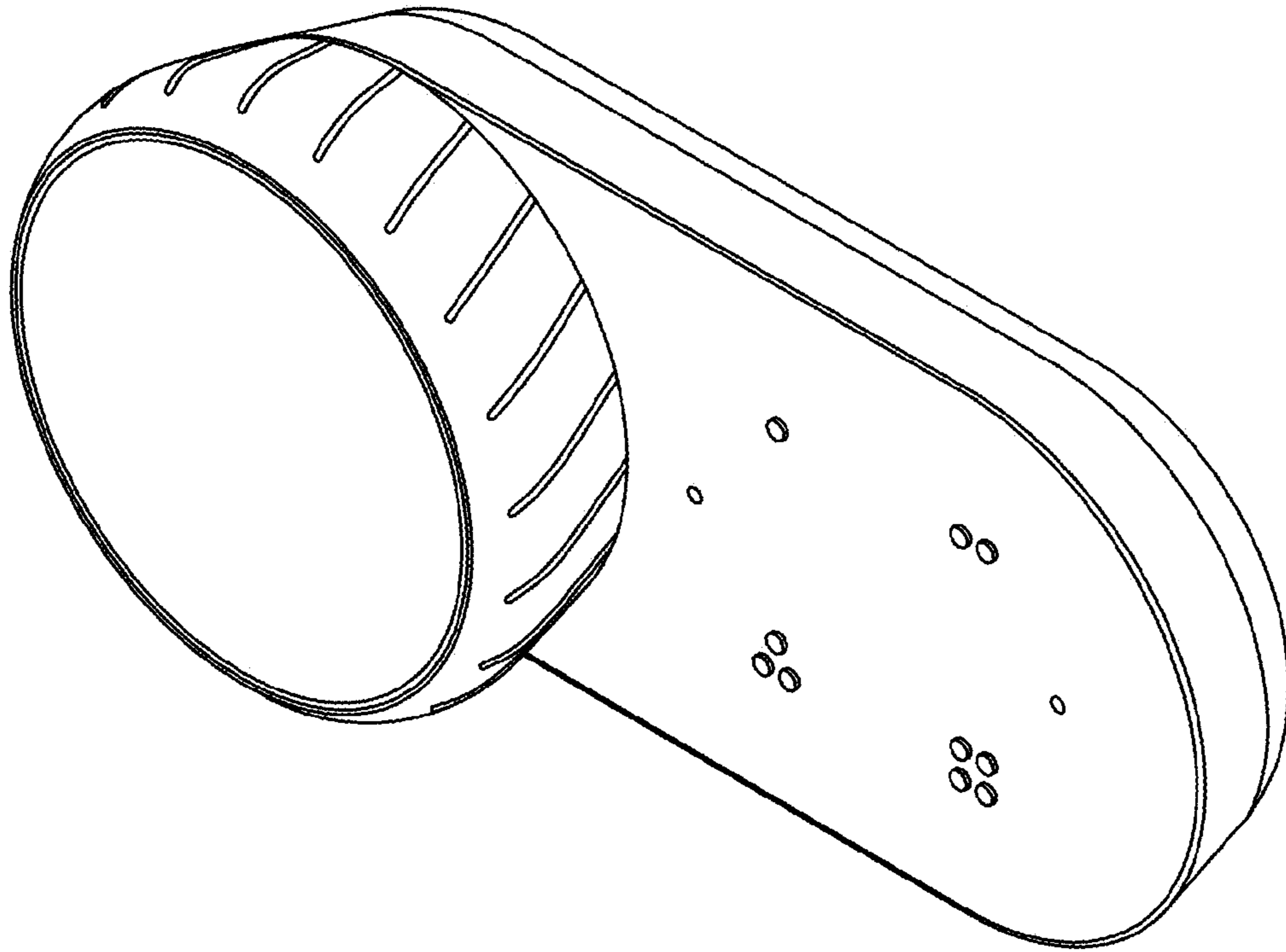
Stereonet.co.uk; "Spotify's 'Car Thing' to deliver In-car music streaming"; [online] 'https://www.stereonet.co.uk/news/spotify-car-thing-to-deliver-in-car-music-streaming'; dated Jan. 24, 2020; accessed Sep. 27, 2020; 3pgs. (Year: 2020).\*

"Cleanskin universal magnetic holder small mount", Officeworks, accessed Jan. 19, 2018. Available at: <https://www.officeworks.com.au/shop/officeworks/p/cleanskin-universal-magnetic-holder-small-mount-csmsul999b>.

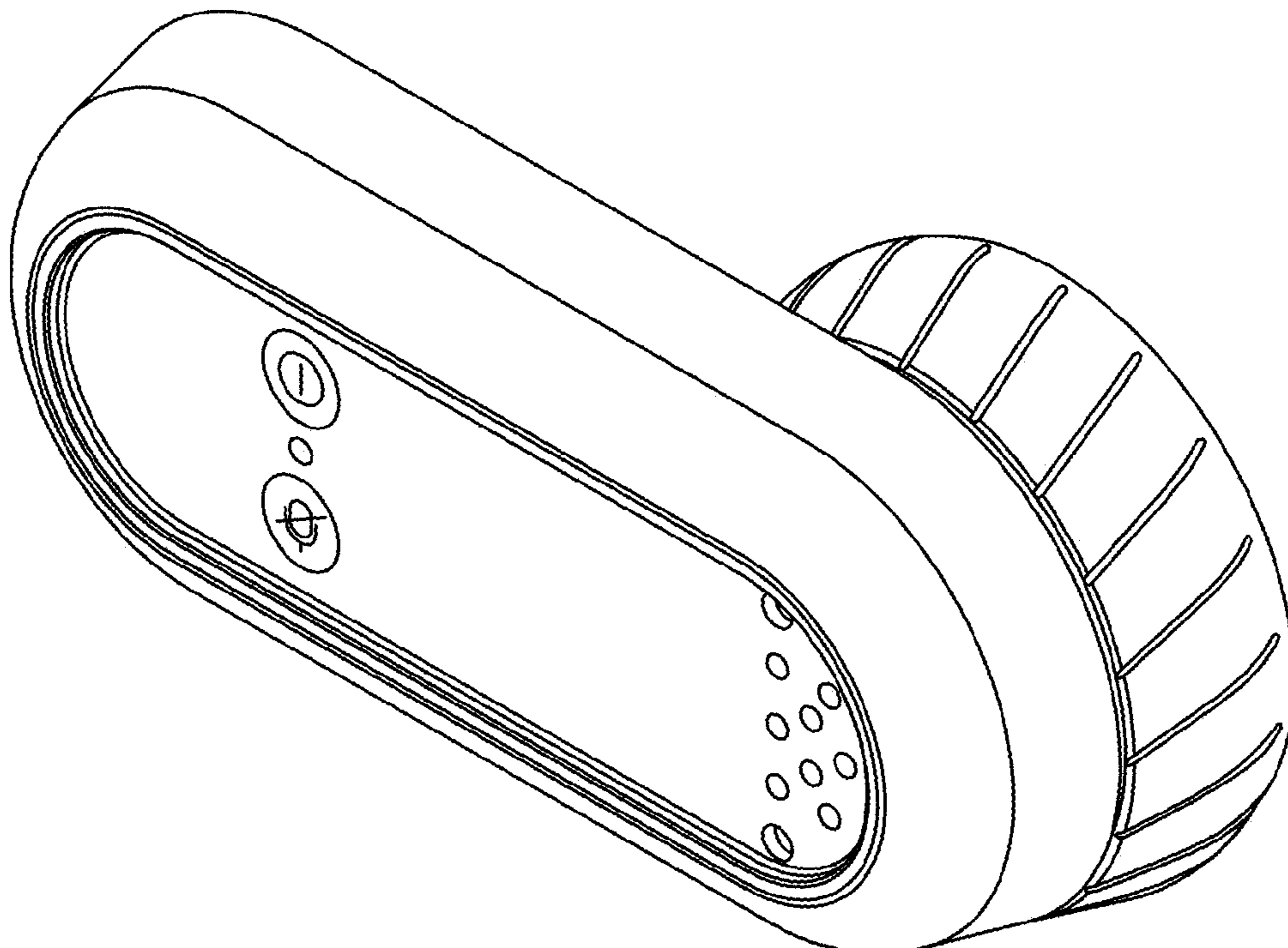
"Air Vent Car Mount Cell Phone Holder, Jeksens CA02 Magnetic Air Vent Car Mount, Portable Universal Car GPS Smartphone Holder Mount, Apple iPhone 6 / 6 Plus (5.5"), 3 Metal Plates & Protection Film", Jeksens, accessed Jan. 19, 2018. Available at: <https://www.amazon.com/JEBSENS-CA02-Universal-Smartphone-Protection/dp/B0144AX6WK>.

\* cited by examiner

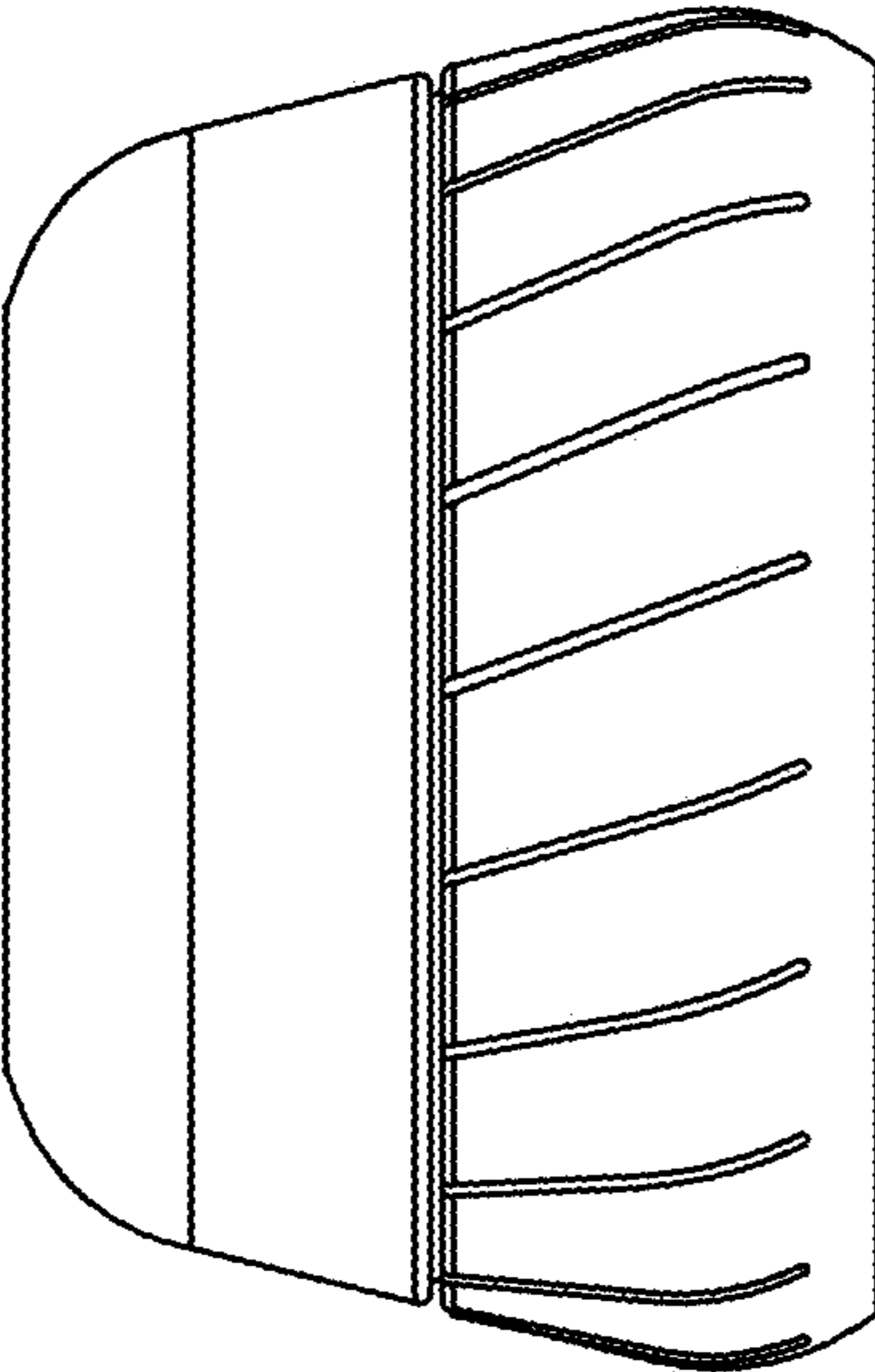
**FIG. 1**



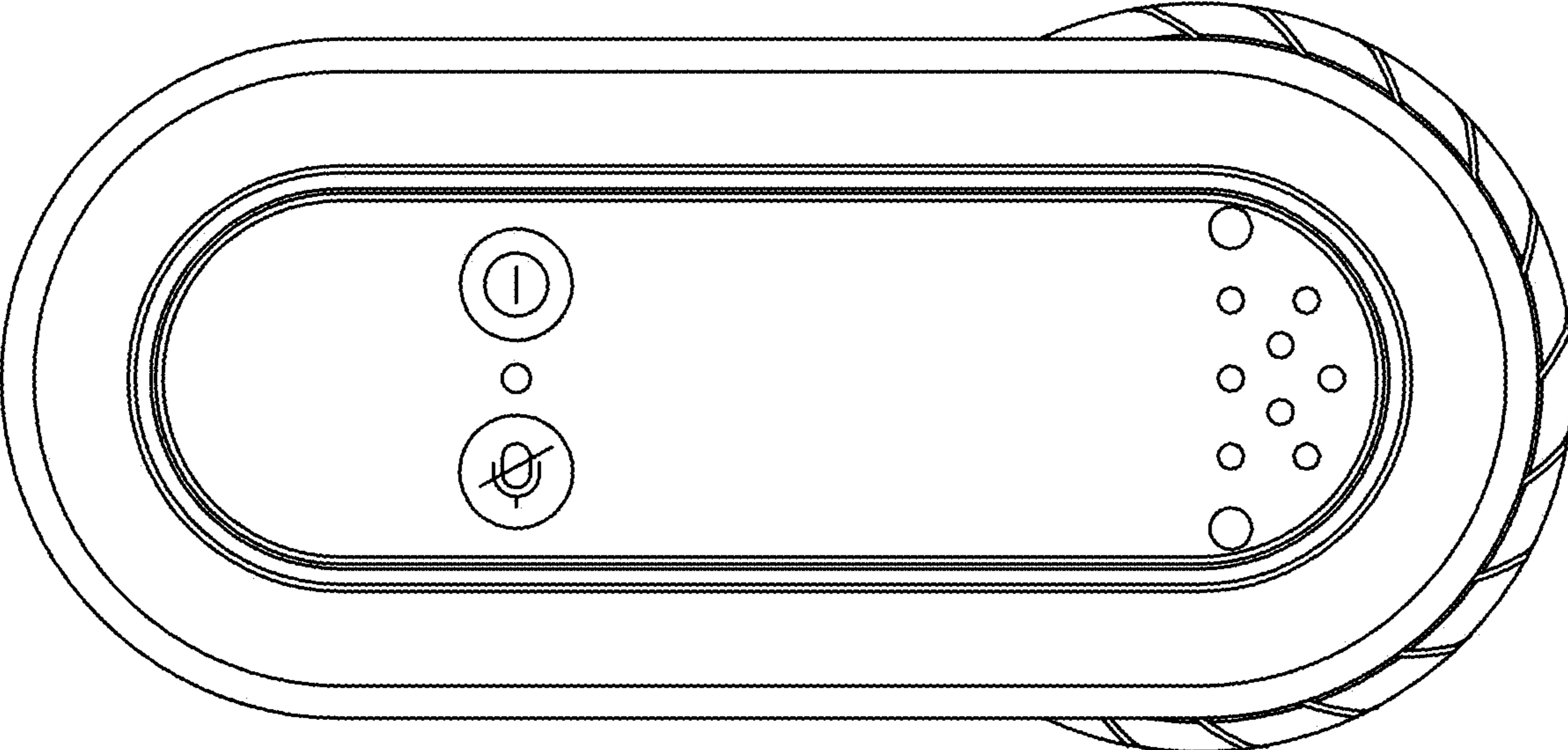
**FIG. 2**



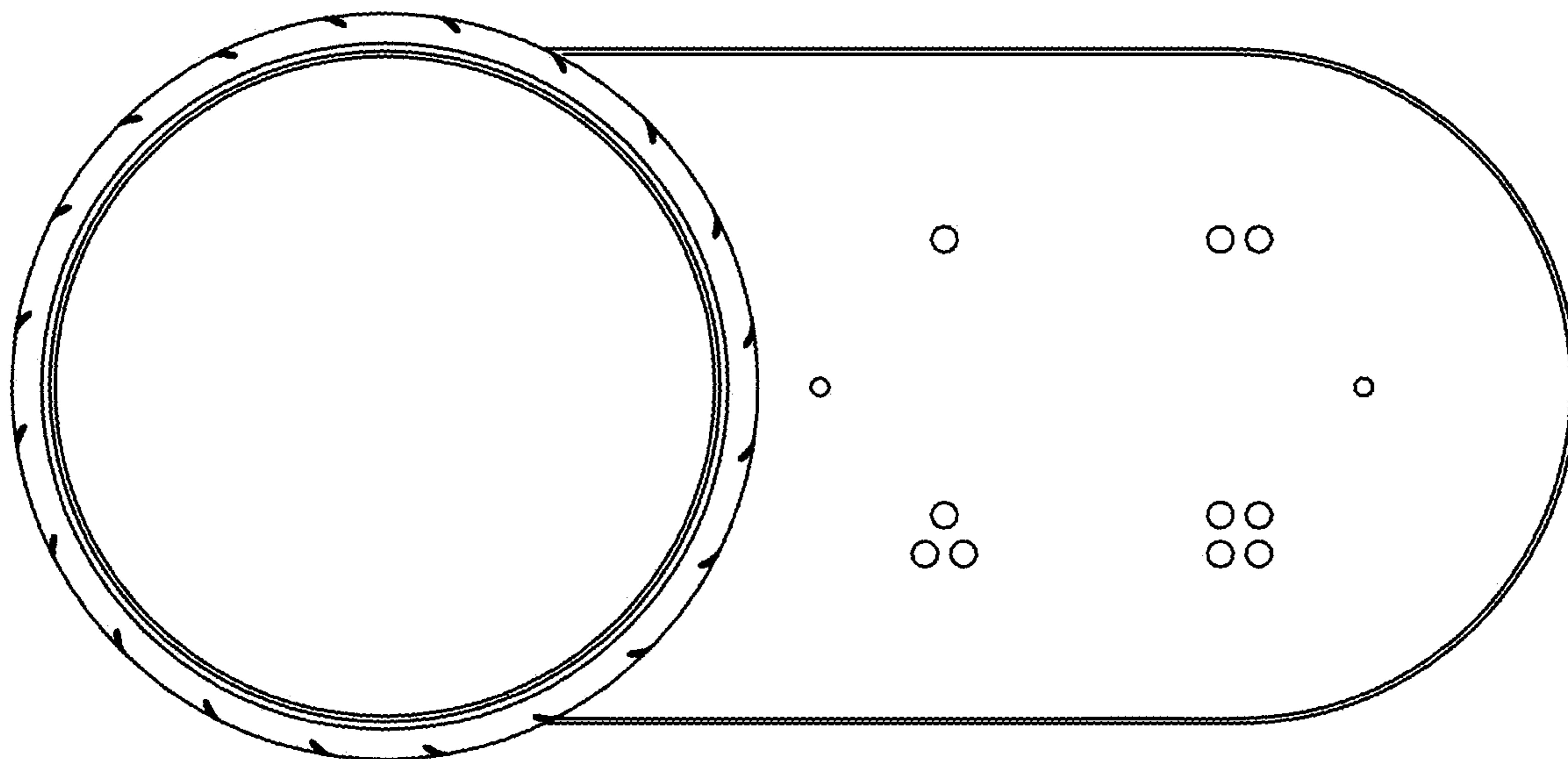
**FIG. 3**



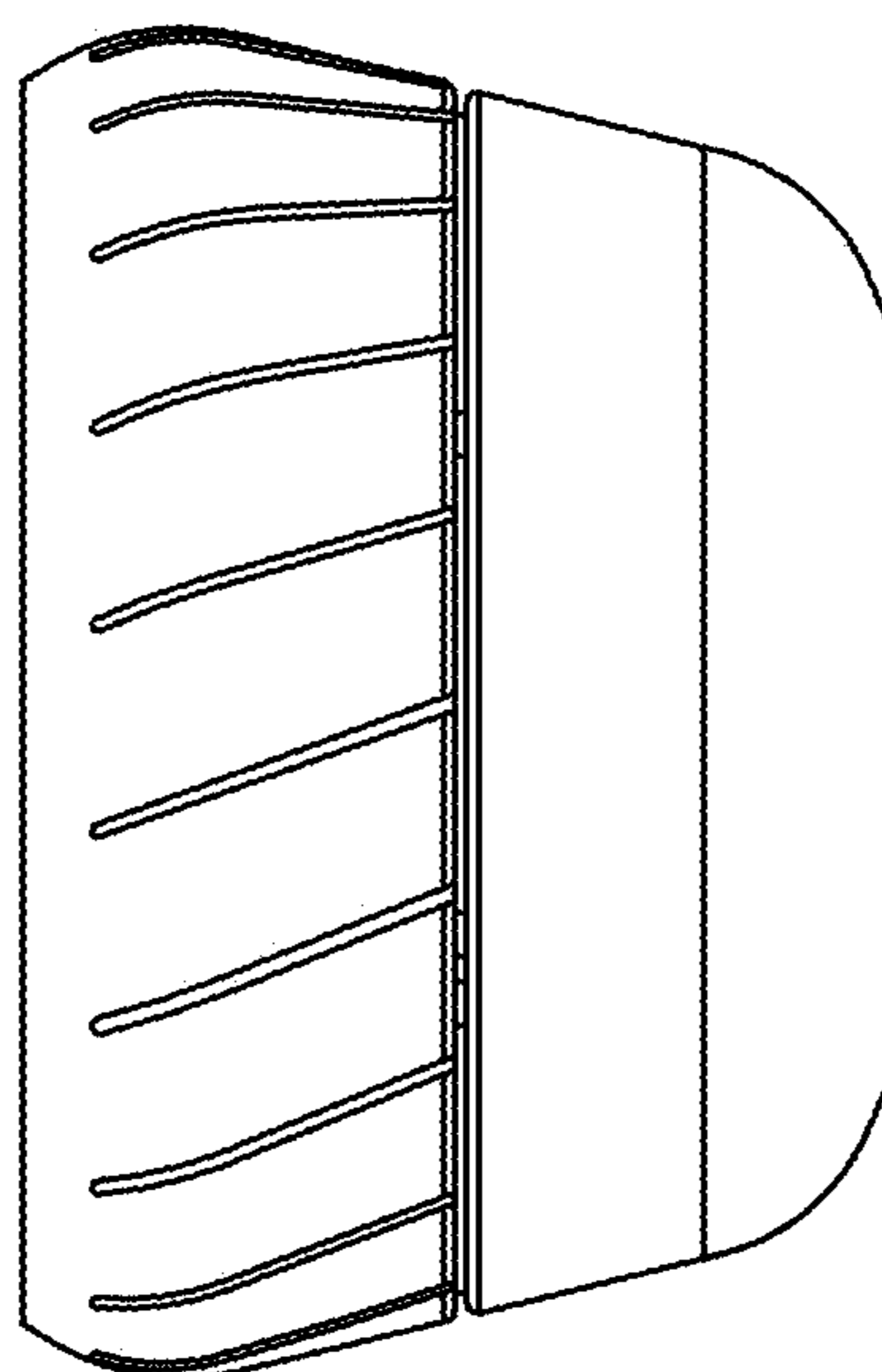
**FIG. 4**



**FIG. 5**



**FIG. 6**



**FIG. 7**

