



US00D909984S

(12) **United States Design Patent** (10) **Patent No.:** **US D909,984 S**  
**Zou** (45) **Date of Patent:** **\*\* Feb. 9, 2021**

(54) **CLOCK RADIO**

(71) Applicant: **Cindy Zou**, Clearwater, FL (US)

(72) Inventor: **Cindy Zou**, Clearwater, FL (US)

(\*\*) Term: **15 Years**

(21) Appl. No.: **29/666,863**

(22) Filed: **Oct. 16, 2018**

(51) **LOC (13) Cl.** ..... **14-03**

(52) **U.S. Cl.**  
USPC ..... **D14/188**

(58) **Field of Classification Search**  
USPC ..... D14/167, 168, 170–172, 187, 188,  
D14/194–196, 198, 204, 207, 209.1,  
D14/210–216, 219, 221, 222, 224, 239,  
D14/496; 181/143, 144, 147, 148, 150,  
181/153, 157, 198, 199; 381/300–303,  
381/306, 332, 333, 336, 345, 361–364,  
381/386–388; 369/6–12; D6/552, 661,  
D6/661.3, 675, 677; D7/702

CPC ..... B60R 11/0217; G06F 1/1688; G10K 9/22;  
G10K 11/004; H03F 1/327; H04M 1/03;  
H04M 1/035; H04N 5/642; H04N  
21/4852; H04R 1/02; H04R 1/06; H04R  
1/021; H04R 1/025; H04R 1/026; H04R  
1/028; H04R 1/105; H04R 1/323; H04R  
1/403; H04R 1/2803; H04R 1/2834;  
H04R 5/02; H04R 7/20; H04R 9/06;  
H04R 9/025; H04R 2201/021; H04R  
2400/00; H04R 2400/07; H04R 2499/11;  
H04R 2499/13; H04R 2499/15; H04S  
3/00; H04S 7/30

See application file for complete search history.

(56) **References Cited**

U.S. PATENT DOCUMENTS

D181,321 S \* 10/1957 Stowell ..... D9/418  
D231,537 S \* 4/1974 Kimbell ..... D14/207

D274,191 S \* 6/1984 Aoijs ..... D10/15  
D364,760 S \* 12/1995 Robertson ..... D6/661  
D417,979 S \* 12/1999 Evans ..... D6/661  
D430,981 S \* 9/2000 Walls, Jr. .... D6/661  
D488,298 S \* 4/2004 Freeman ..... D3/294  
D718,736 S \* 12/2014 Thompson ..... D14/168  
D729,761 S \* 5/2015 Hu ..... D14/194  
D771,521 S \* 11/2016 McDonald ..... D11/131  
D829,110 S \* 9/2018 Skurdal ..... D10/2  
D842,265 S \* 3/2019 Becker ..... D14/204  
D871,166 S \* 12/2019 DeBoer ..... D7/624.1

\* cited by examiner

*Primary Examiner* — Katie Jane Stofko

(74) *Attorney, Agent, or Firm* — Edward Dutkiewicz

(57) **CLAIM**

The ornamental design for a clock radio, as shown and described.

**DESCRIPTION**

FIG. 1 is a front elevational view of a clock radio showing my new design;  
FIG. 2 is a rear elevational view thereof;  
FIG. 3 is a right side elevational view thereof;  
FIG. 4 is a left side elevational view thereof, shown in an open position;  
FIG. 5 is a top plan view thereof;  
FIG. 6 is a bottom plan view thereof;  
FIG. 7 is a top, rear, perspective view thereof, shown in an open position; and,  
FIG. 8 is a top, front, right perspective view thereof, shown in a closed position.

The broken lines in the drawings illustrate portions of the clock radio that form no part of the claimed design.

**1 Claim, 5 Drawing Sheets**

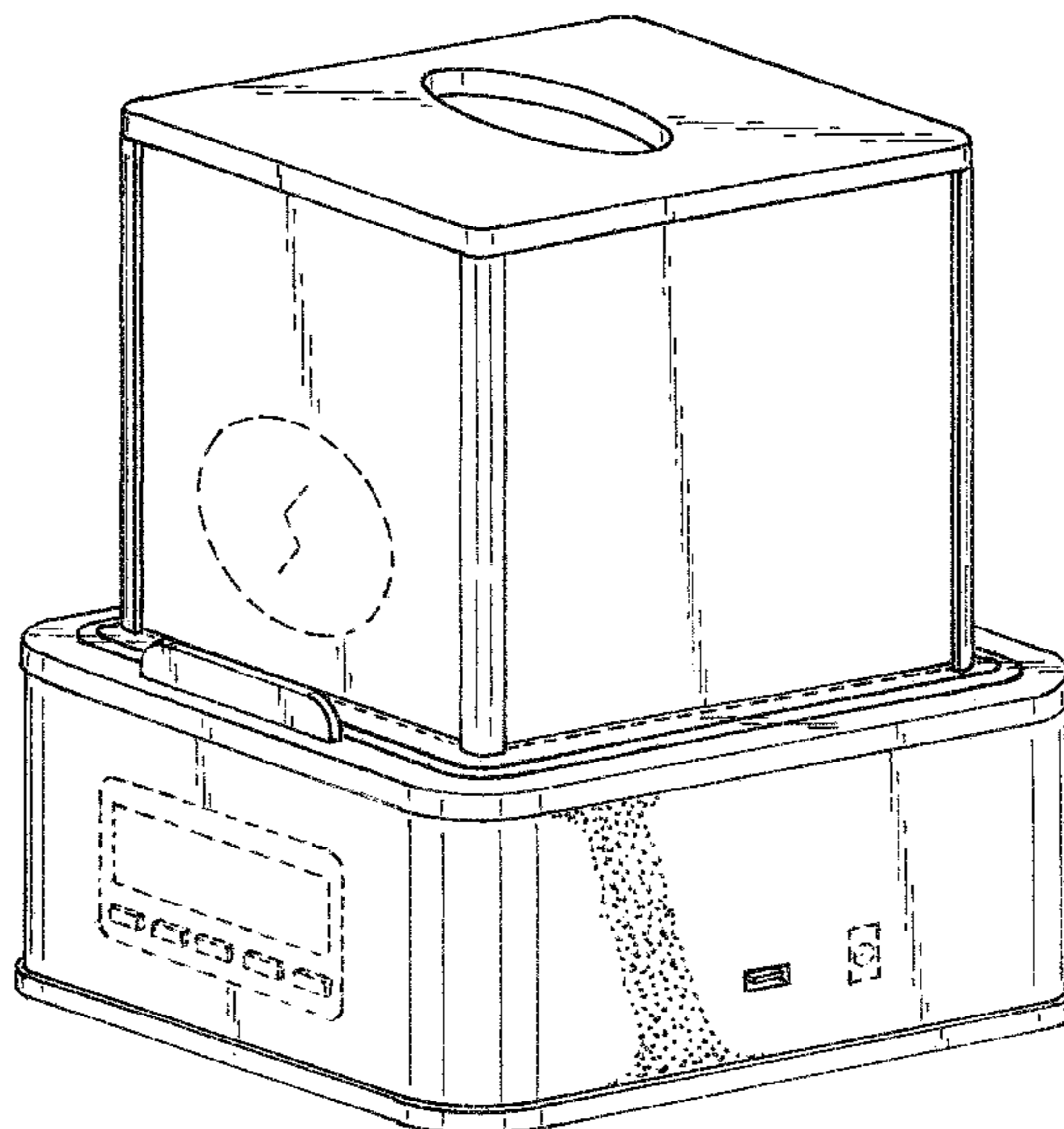


FIG. 1

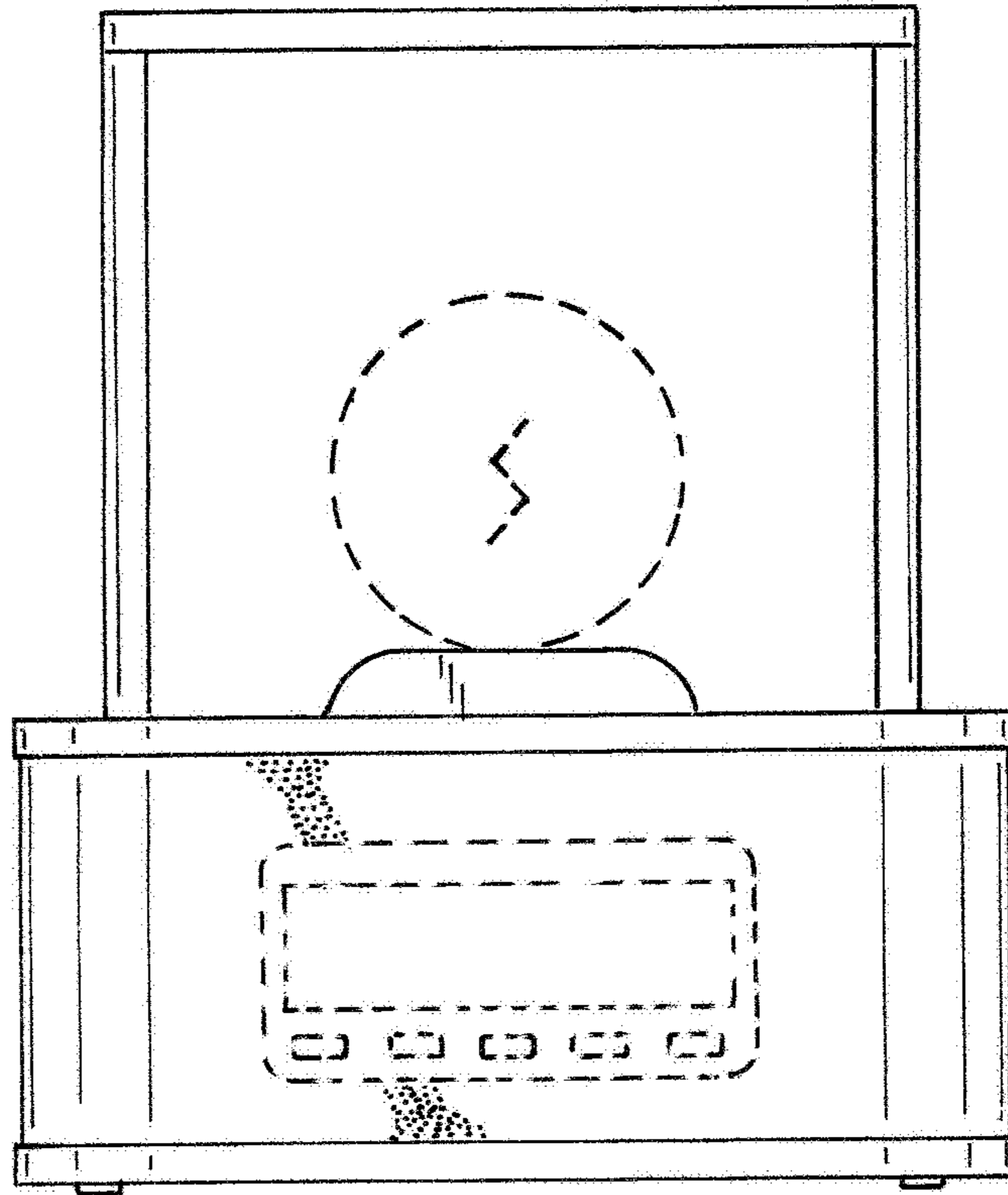


FIG. 2

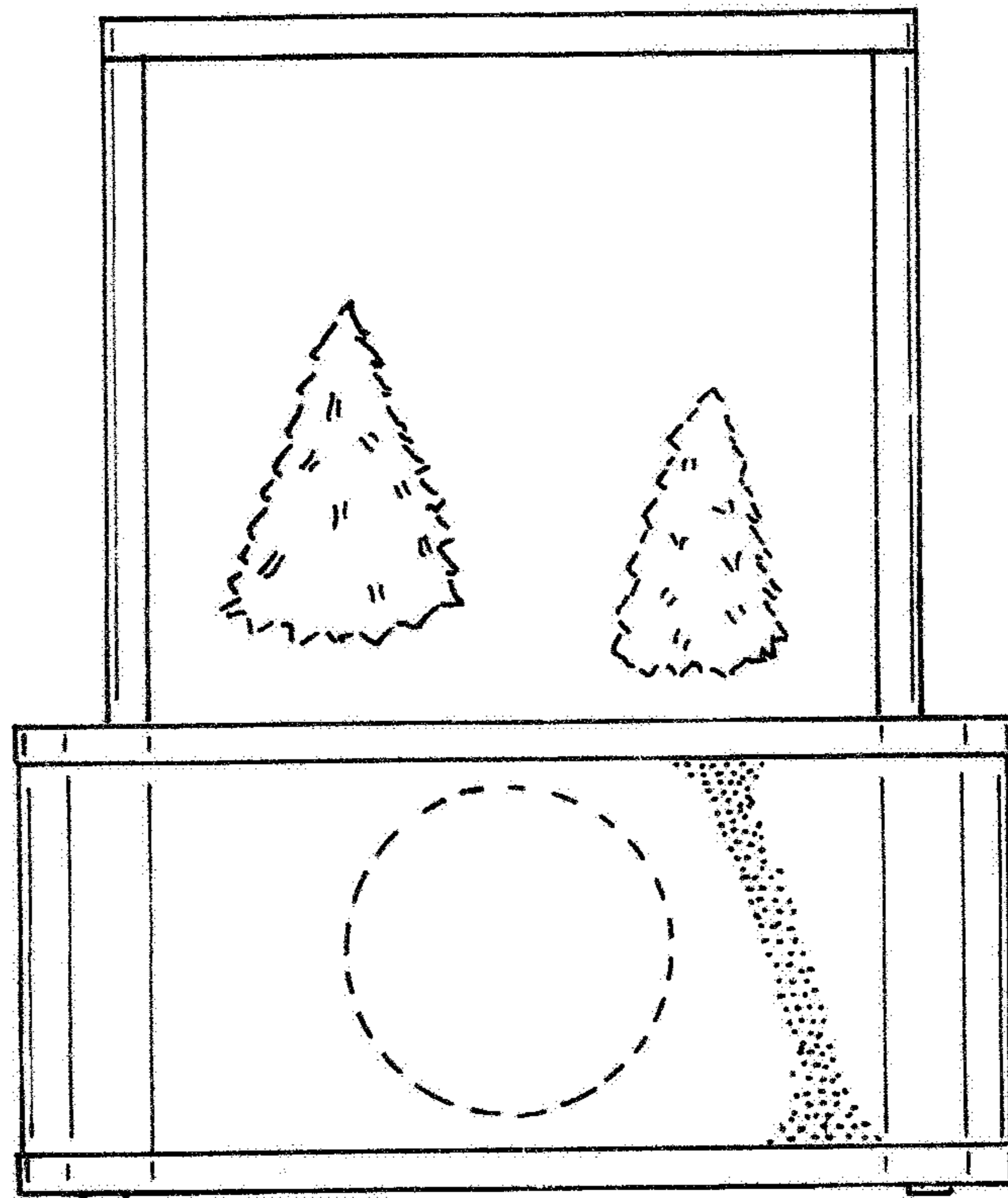


FIG. 3

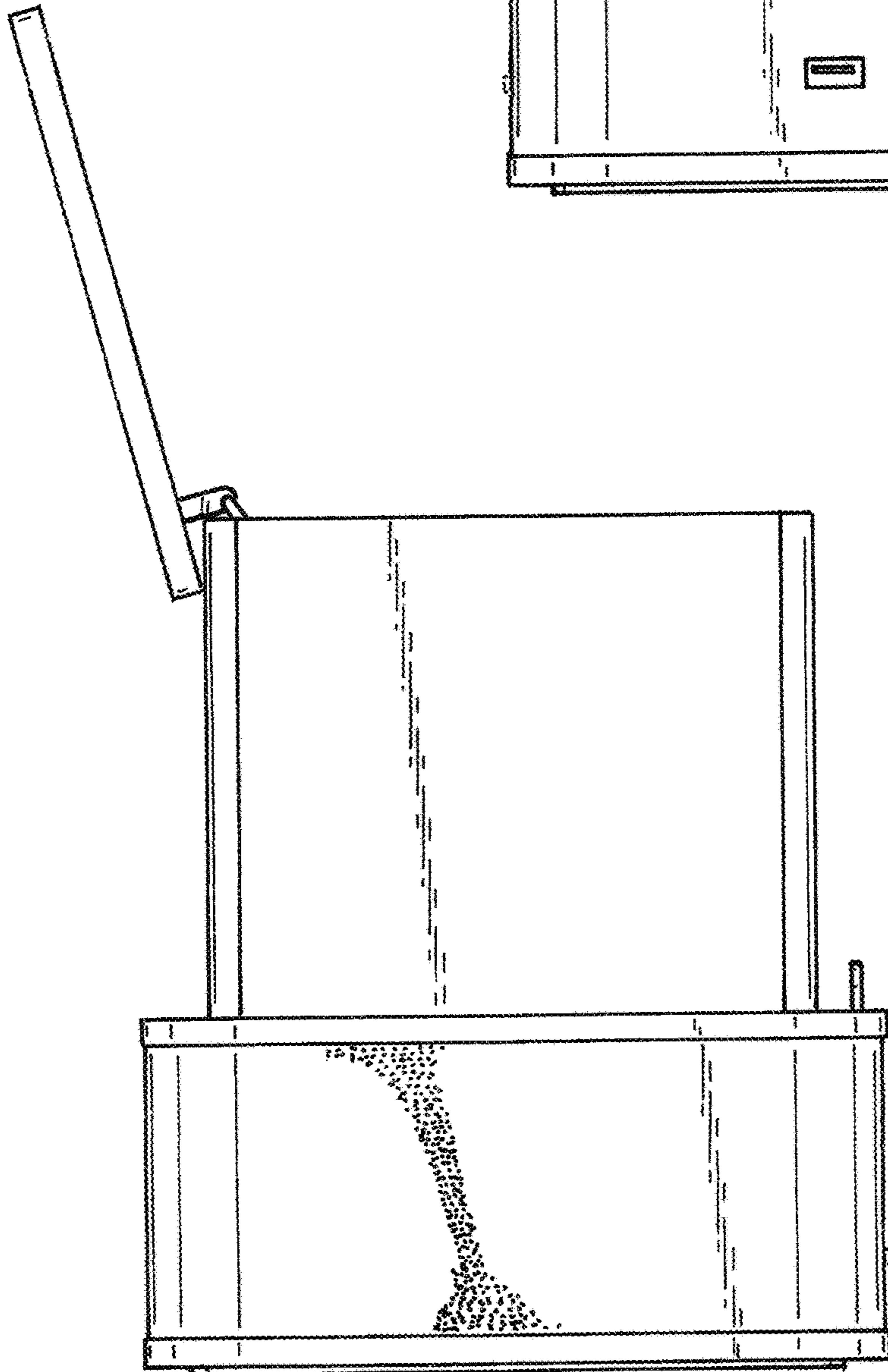
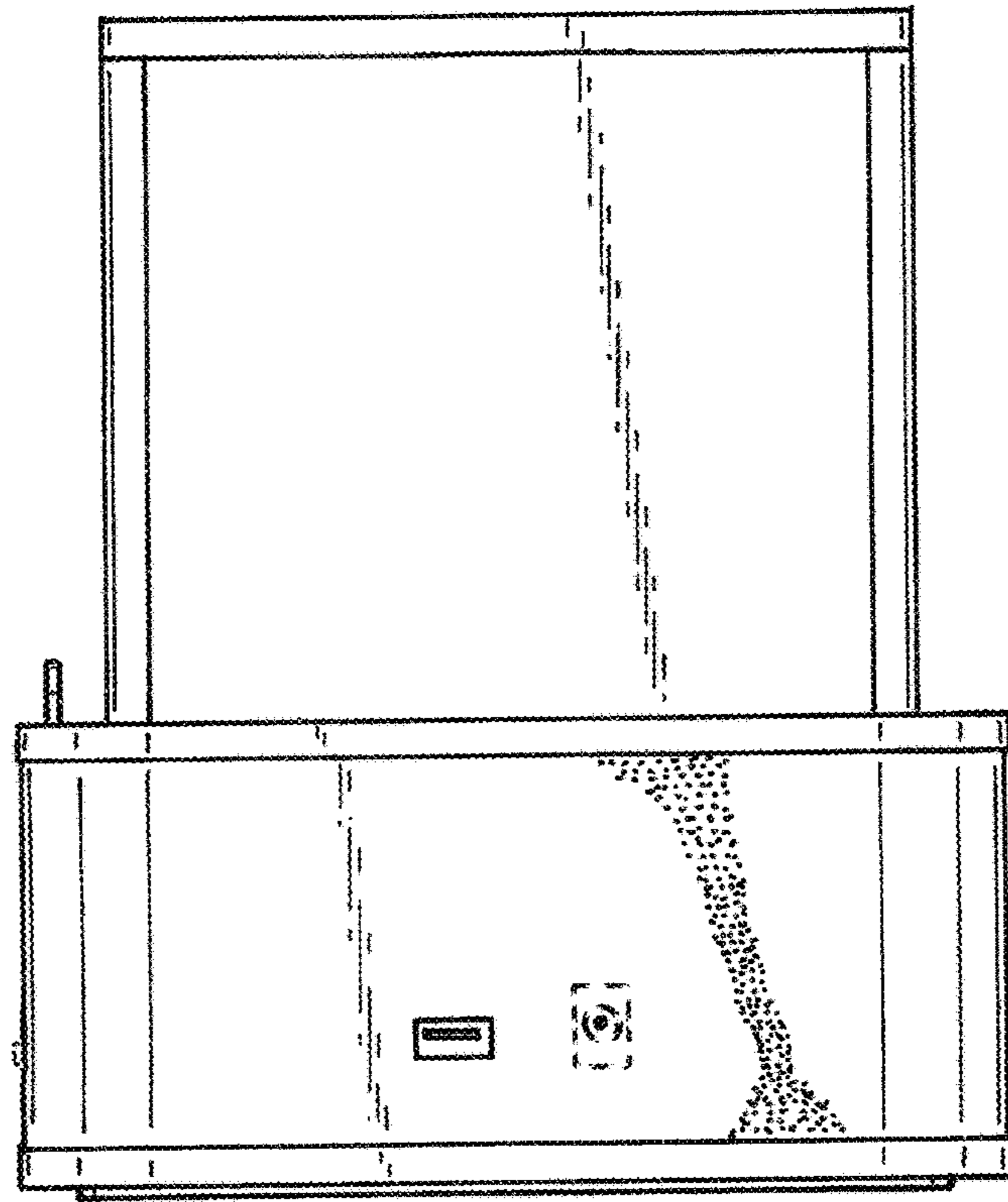


FIG. 4

FIG. 5

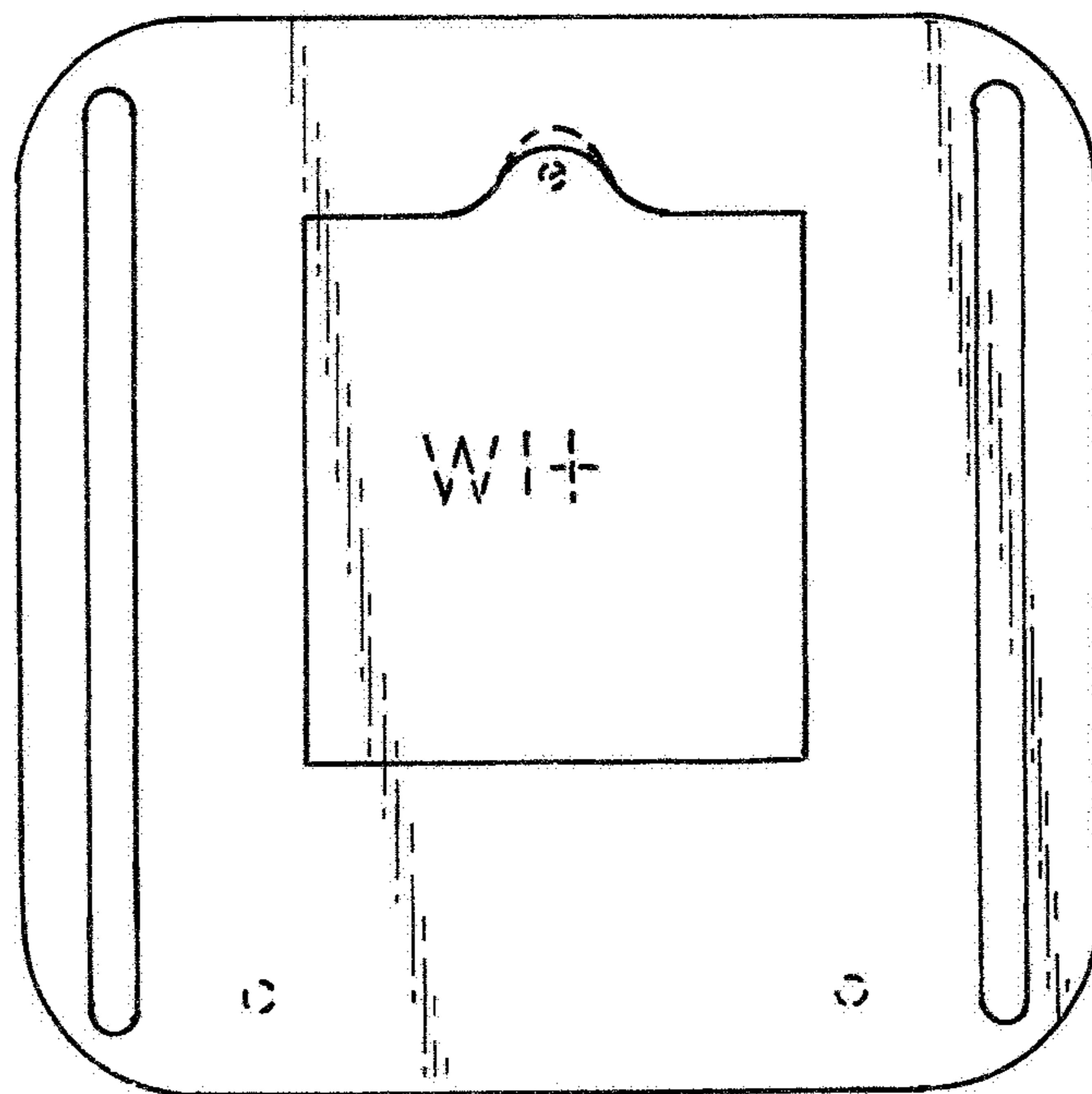
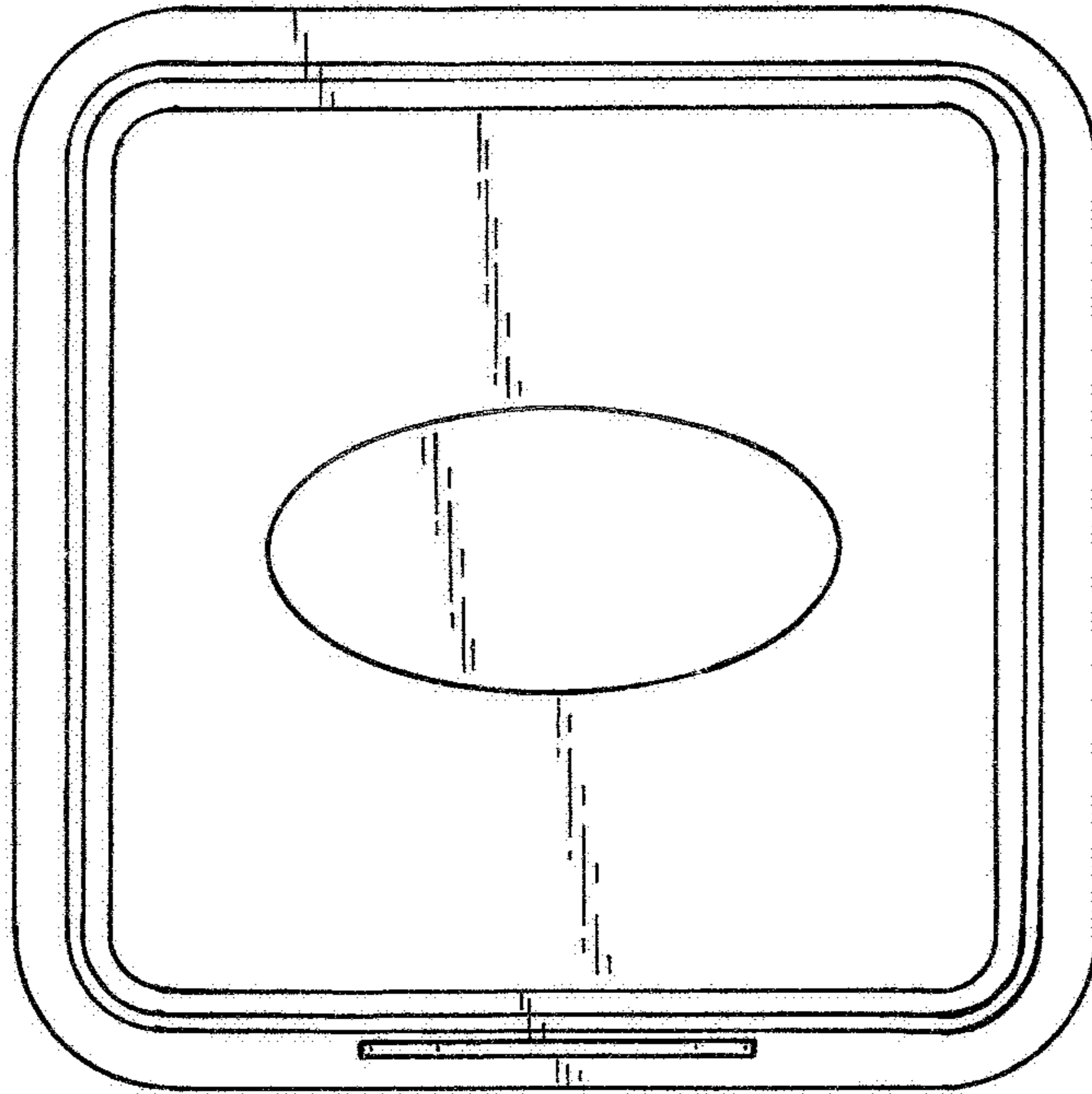


FIG. 6

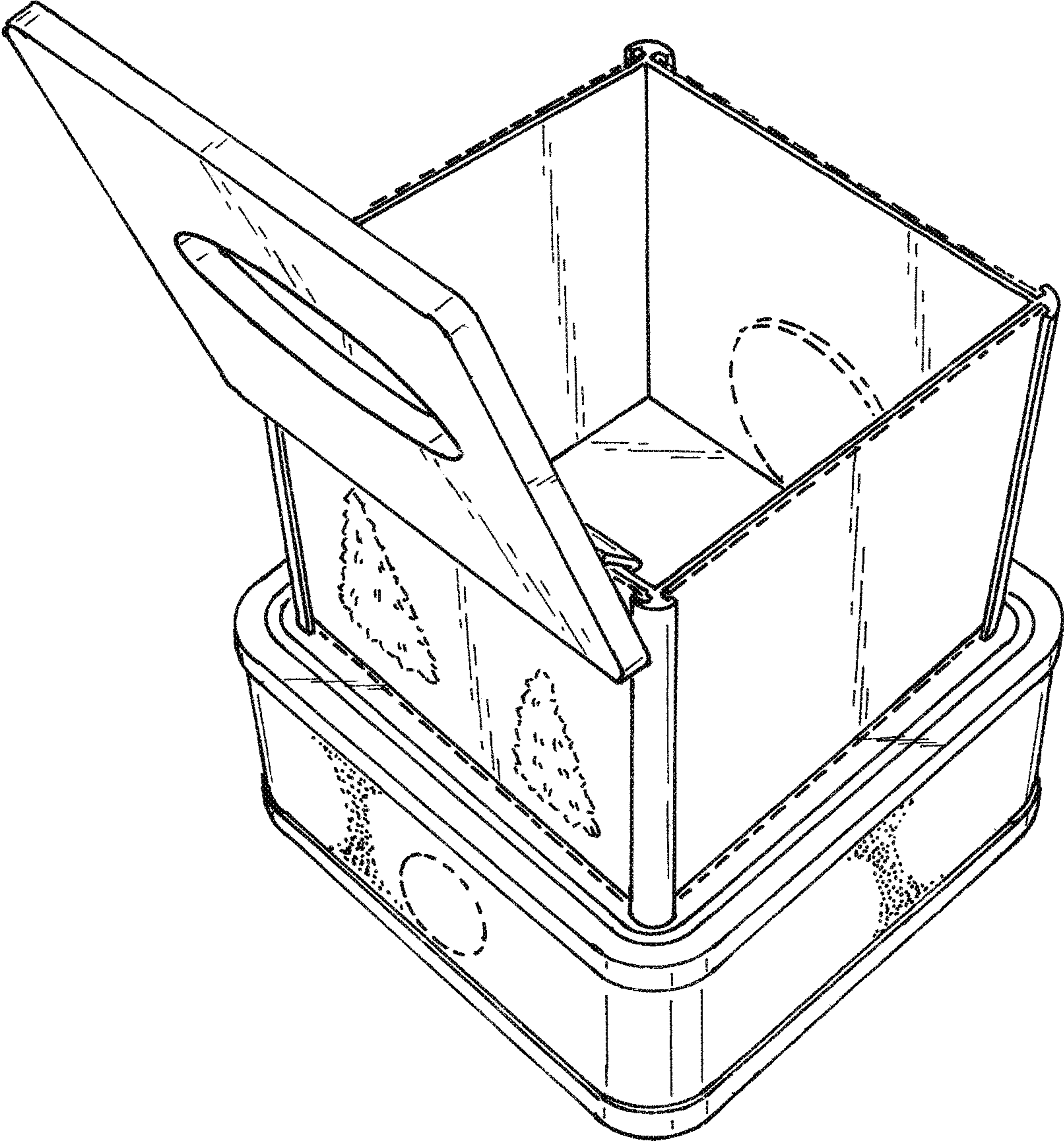


FIG. 7

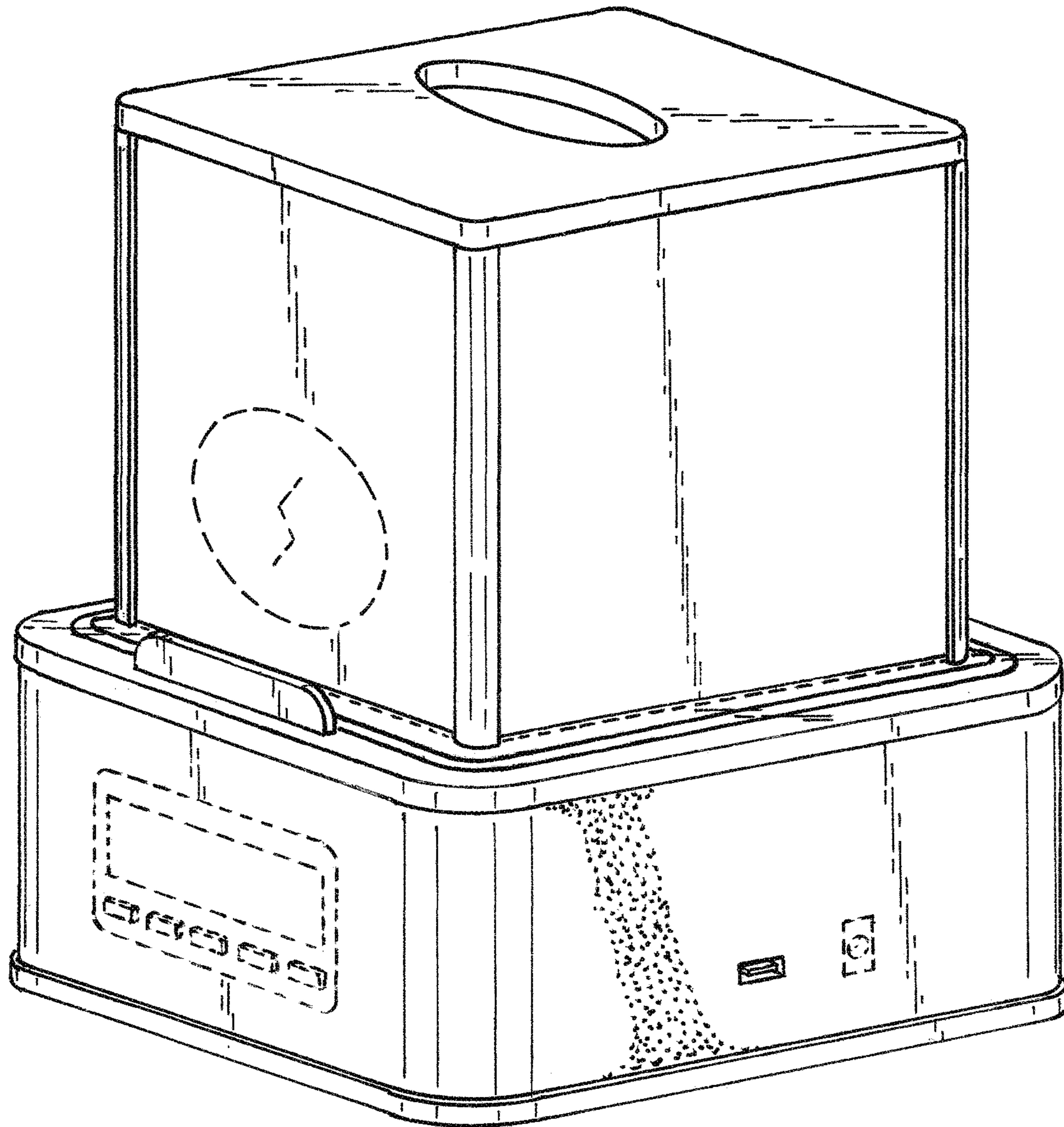


FIG. 8