



US00D909983S

(12) **United States Design Patent** (10) **Patent No.:** **US D909,983 S**
Kittmann (45) **Date of Patent:** **** Feb. 9, 2021**

(54) SOUND AMPLIFIER	D722,588 S	2/2015	Boyd	
	D743,373 S	* 11/2015	Kim	D14/210
(71) Applicant: Sennheiser electronic GmbH & Co. KG, Wedemark (DE)	D761,231 S	7/2016	Kim et al.	
	D763,229 S	8/2016	Yagi	
	D768,603 S	10/2016	Kim et al.	
(72) Inventor: Ralf Kittmann, Zürich (CH)	D774,491 S	12/2016	Kim et al.	
	D778,259 S	2/2017	Bouroullec et al.	
	D785,596 S	5/2017	Lewis et al.	
(73) Assignee: Sennheiser electronic GmbH & Co. KG, Wedemark (DE)	D805,498 S	12/2017	Jeon et al.	
	D808,352 S	1/2018	Won et al.	
	D816,062 S	4/2018	Park et al.	
	D817,308 S	5/2018	Sugiura	
(**) Term: 15 Years	D817,926 S	5/2018	Warden	
	D822,001 S	* 7/2018	Won	D14/214
(21) Appl. No.: 29/665,994	D842,273 S	* 3/2019	Kiong	D14/214
	D870,076 S	* 12/2019	Park	D14/214
(22) Filed: Oct. 9, 2018	* cited by examiner			

Related U.S. Application Data

(62) Division of application No. 35/503,292, filed on Jan. 2, 2017 (U.S. filing date under 35 U.S.C. 384), and having an international filing date of Jan. 2, 2017, now Pat. No. Des. 868,021.

(51) **LOC (13) Cl.** **14-03**

(52) **U.S. Cl.**
USPC **D14/188**

(58) **Field of Classification Search**
USPC D14/188, 162, 167-169, 125, 126, D14/194-198, 214, 217, 257, 265, 299, D14/496
CPC . H03F 1/26; H03F 1/3247; H03F 3/24; H03F 3/181; H03F 3/189; H03F 3/45197; H03F 2200/03; H03F 2200/324; H03F 2200/336
See application file for complete search history.

References Cited

U.S. PATENT DOCUMENTS

D681,606 S 5/2013 Nishii et al.
D710,821 S 8/2014 Marklund

Primary Examiner — Bao-Yen T Nguyen

(74) *Attorney, Agent, or Firm* — Haug Partners LLP

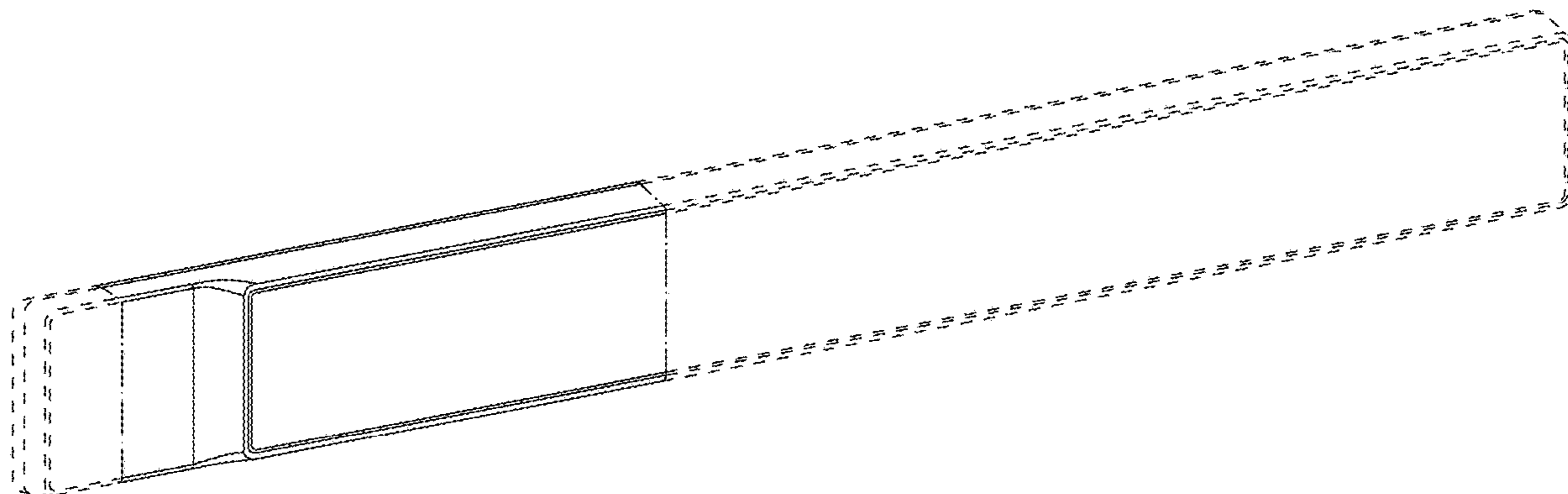
(57) **CLAIM**

The ornamental design for a sound amplifier, as shown and described.

DESCRIPTION

FIG. 1 is a perspective view of a sound amplifier showing my new design,
 FIG. 2 is a top view thereof;
 FIG. 3 is a bottom view thereof;
 FIG. 4 is a right side view thereof;
 FIG. 5 is a left side thereof;
 FIG. 6 is a front view thereof; and,
 FIG. 7 is a rear elevational view thereof.
 The broken lines shown in the figures depict portions of the sound amplifier and form no part of the claimed design. The dot-dash lines depict a boundary of the claimed design and form no part of the claimed design.

1 Claim, 4 Drawing Sheets



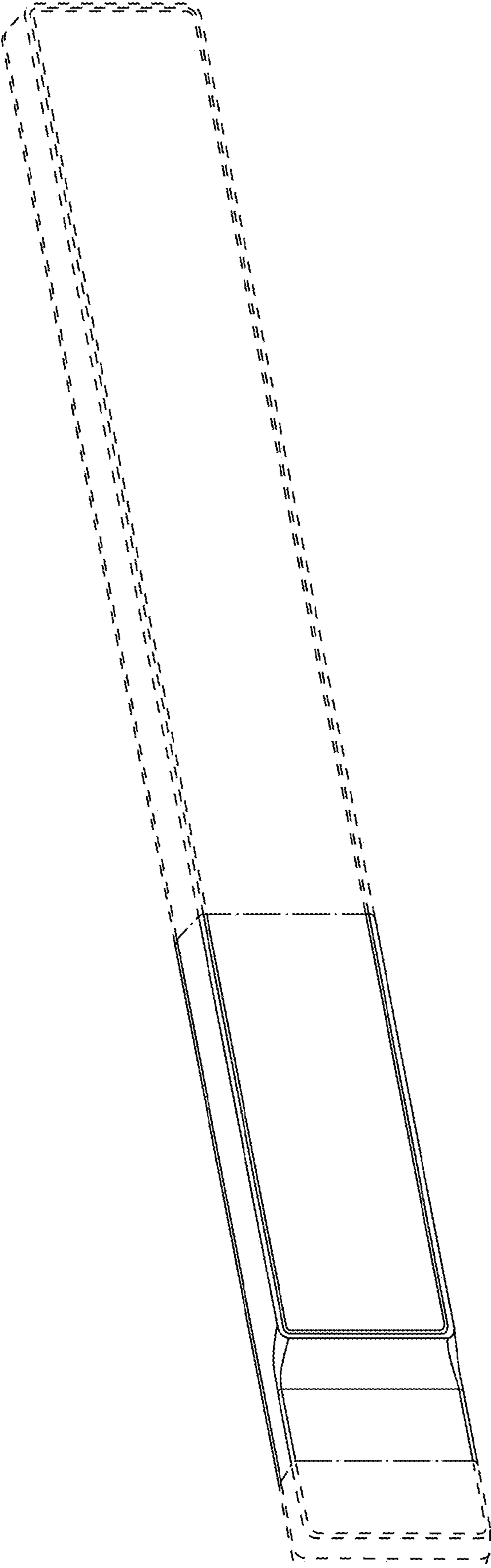


Fig. 1



Fig. 2

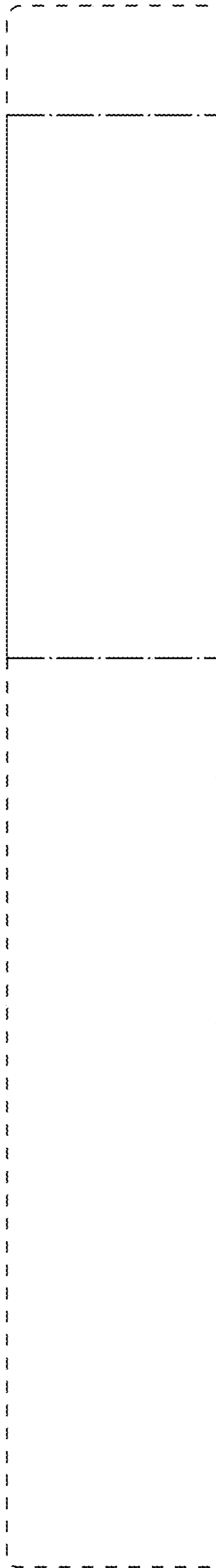


Fig. 3



Fig. 4



Fig. 5

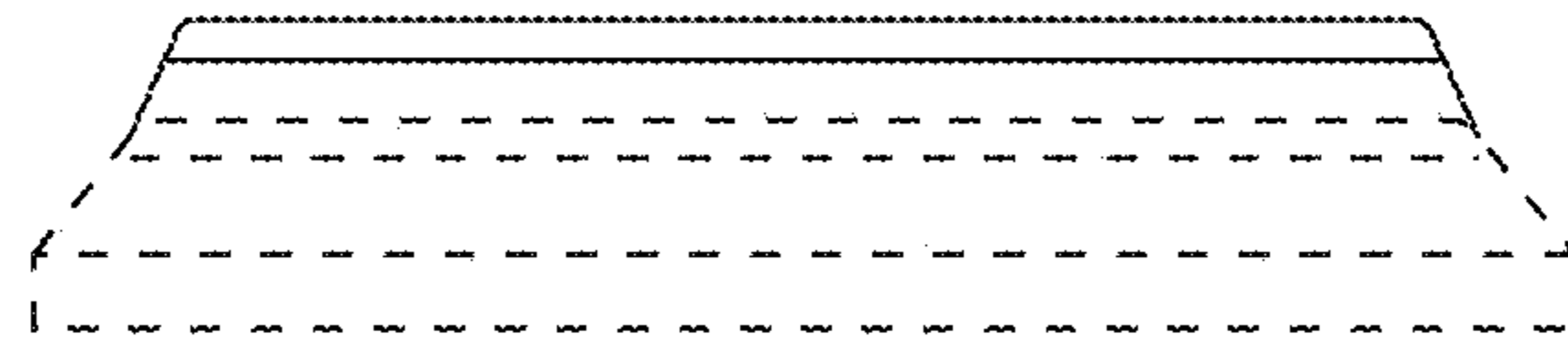


Fig. 6

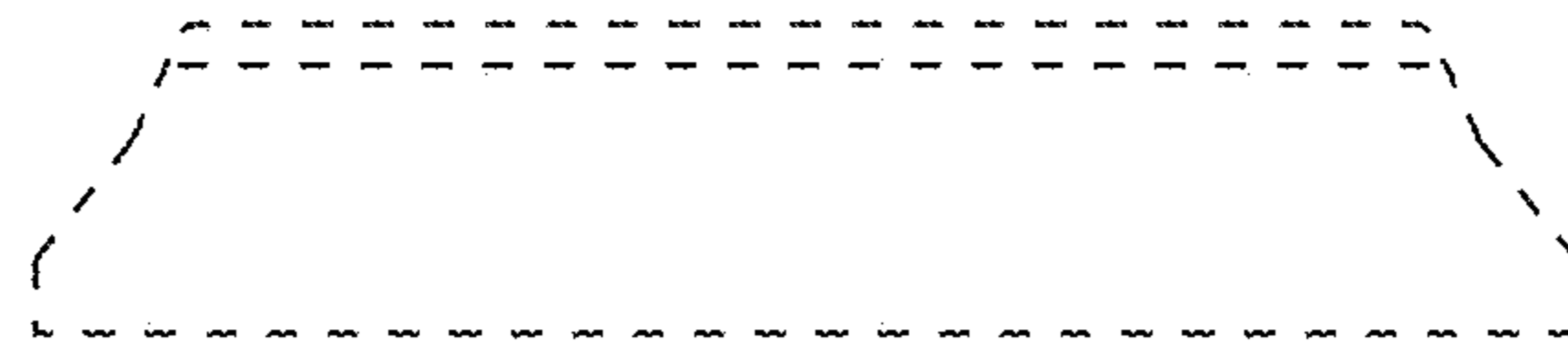


Fig. 7