



US00D909977S

(12) **United States Design Patent**
Nakamura

(10) **Patent No.:** **US D909,977 S**

(45) **Date of Patent:** **** Feb. 9, 2021**

(54) **TRAY FOR CARD CONNECTOR**

(71) Applicant: **Japan Aviation Electronics Industry, Limited**, Tokyo (JP)

(72) Inventor: **Tomohiro Nakamura**, Tokyo (JP)

(73) Assignee: **JAPAN AVIATION ELECTRONICS INDUSTRY, LIMITED**, Tokyo (JP)

(**) Term: **15 Years**

(21) Appl. No.: **29/700,310**

(22) Filed: **Aug. 1, 2019**

(30) **Foreign Application Priority Data**

Mar. 11, 2019 (JP) 2019-004997

(51) **LOC (13) Cl.** **13-03**

(52) **U.S. Cl.**
USPC **D13/154**

(58) **Field of Classification Search**
USPC D13/103, 107, 108, 110, 112, 118, 120,
D13/123, 133, 137.1, 145-147, 149-156,
D13/173, 177, 184, 199; D14/240, 242,
D14/432-438, 435.1

CPC . H01R 13/639; G06K 13/0831; H05K 5/0256
See application file for complete search history.

(56) **References Cited**

U.S. PATENT DOCUMENTS

D786,798 S *	5/2017	Yokoyama	D13/147
D808,341 S *	1/2018	Kimura	D13/147
D808,342 S *	1/2018	Yamaguchi	D13/147
D837,161 S *	1/2019	Yokoyama	D13/147
D876,368 S *	2/2020	Yokoyama	D13/147
D884,649 S *	5/2020	Ehrensverd	D13/147
2016/0233629 A1 *	8/2016	Yen	H01R 13/6594

OTHER PUBLICATIONS

Japan Aviation Electronics Industry, Ltd. SF9 Series (GSM 11.11 Plug in SIM Card Connector). No date specified. https://www.jae.com/en/connectors/series/detail/id=64203&type_code=T1100 (Year: 0).*

* cited by examiner

Primary Examiner — Darcey E Gottschalk

(74) *Attorney, Agent, or Firm* — Manabu Kanesaka

(57) **CLAIM**

The ornamental design for a tray for card connector, as shown and described.

DESCRIPTION

FIG. 1 is a front elevational view of a tray for card connector showing my new design;

FIG. 2 is a rear elevational view thereof;

FIG. 3 is a right side elevational view thereof;

FIG. 4 is a left side elevational view thereof;

FIG. 5 is a top plan view thereof;

FIG. 6 is a bottom plan view thereof;

FIG. 7 is a perspective view showing a front, top and right side thereof;

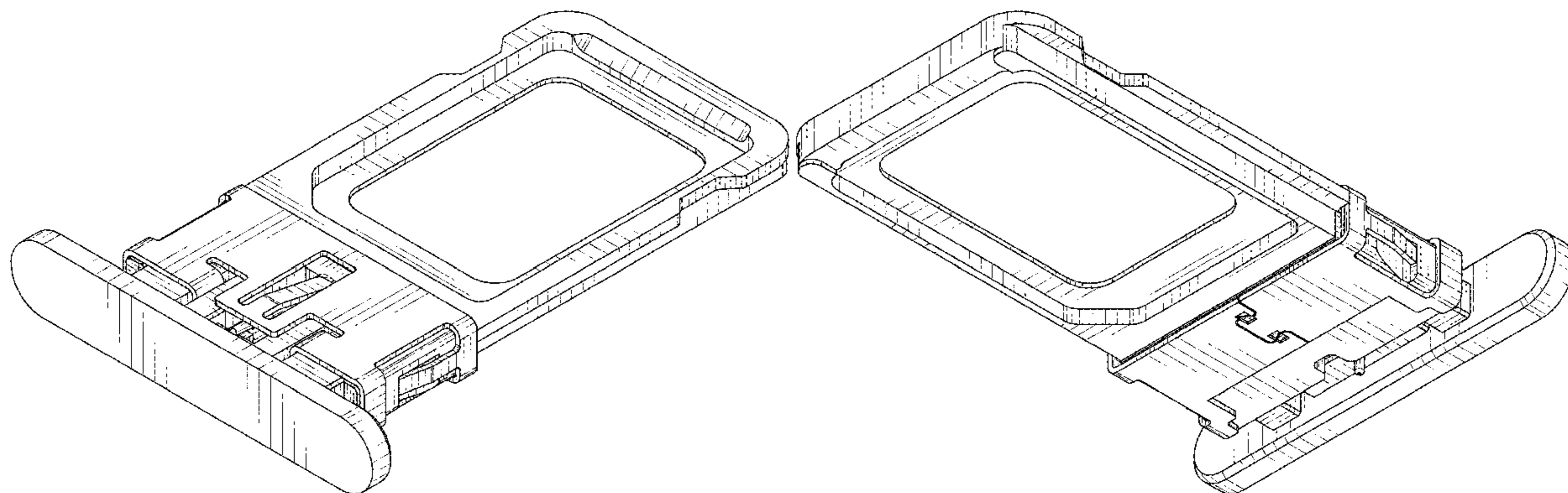
FIG. 8 is a perspective view showing a rear, bottom and left side thereof;

FIG. 9 is a perspective view showing a front, right and bottom side thereof; and,

FIG. 10 is a perspective view showing a rear, left and top side thereof.

The broken line showing of the tray for card connector is for the purpose of illustrating portions of the article and forms no part of the claimed design.

1 Claim, 5 Drawing Sheets



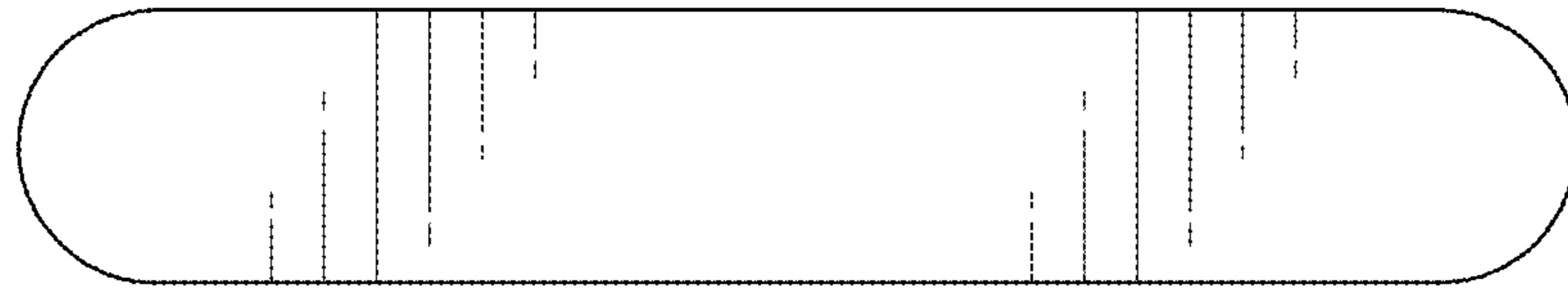


FIG. 1

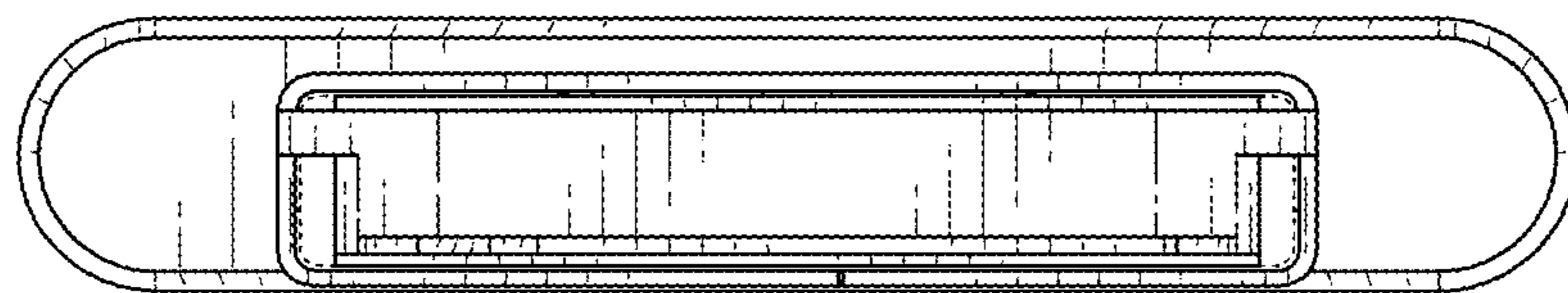


FIG. 2

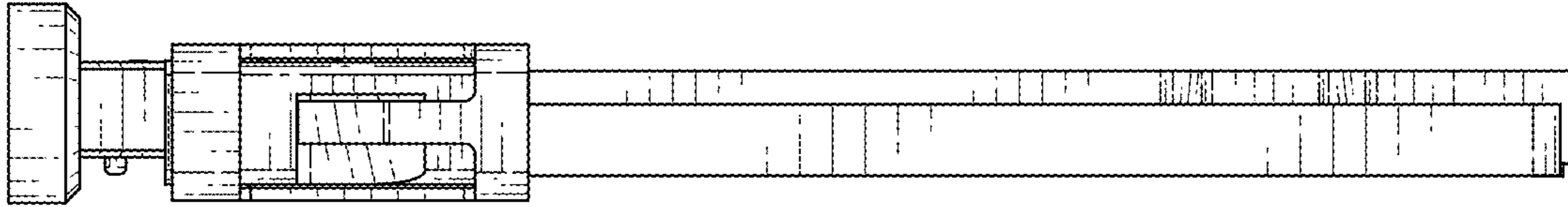


FIG. 3

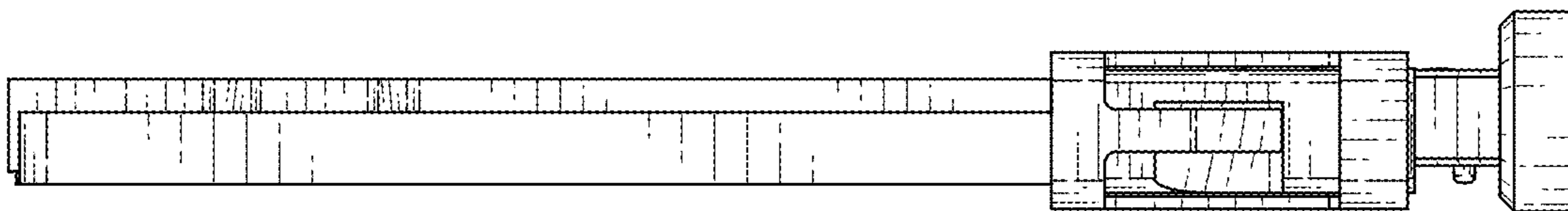


FIG. 4

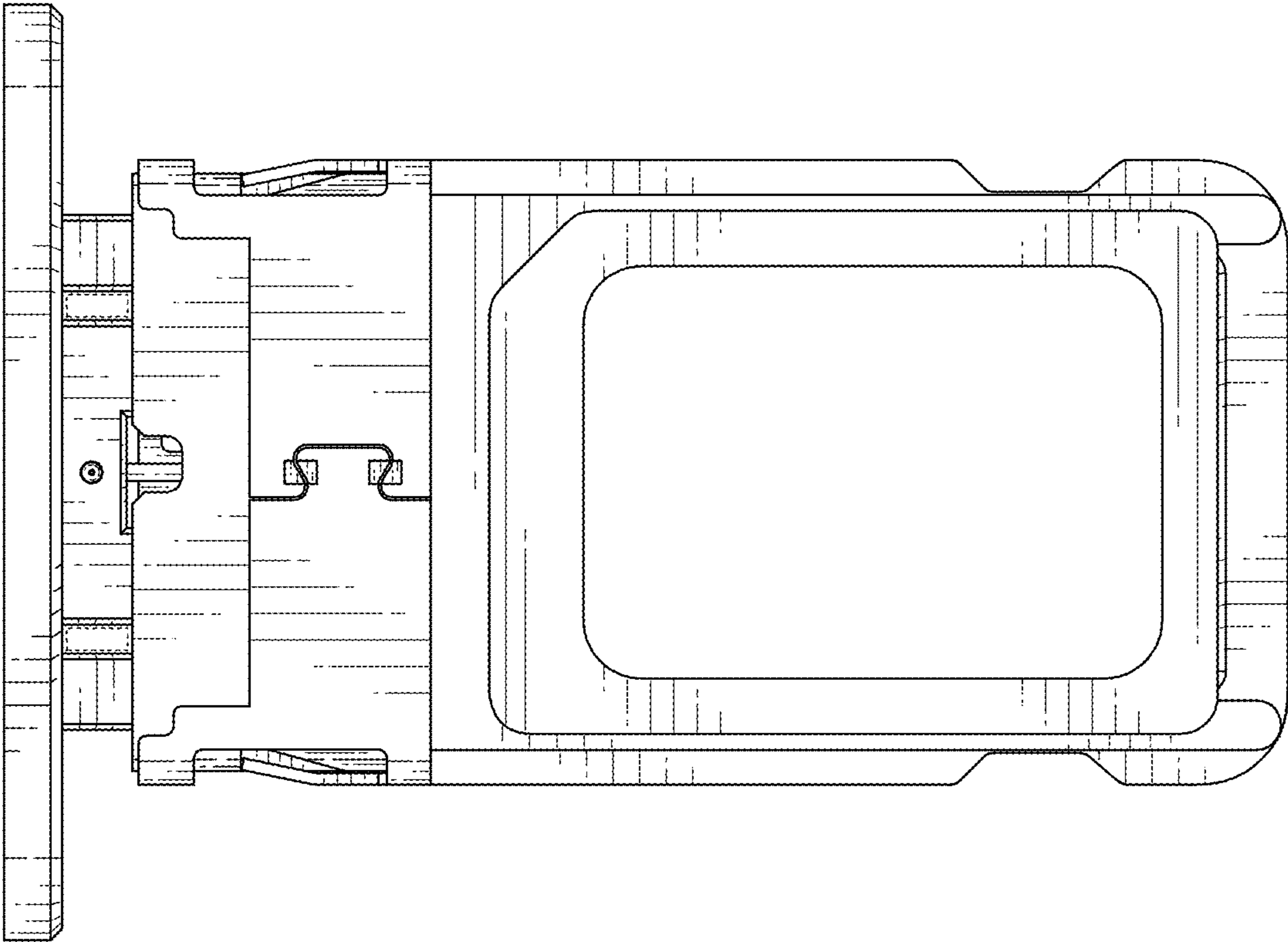


FIG. 6

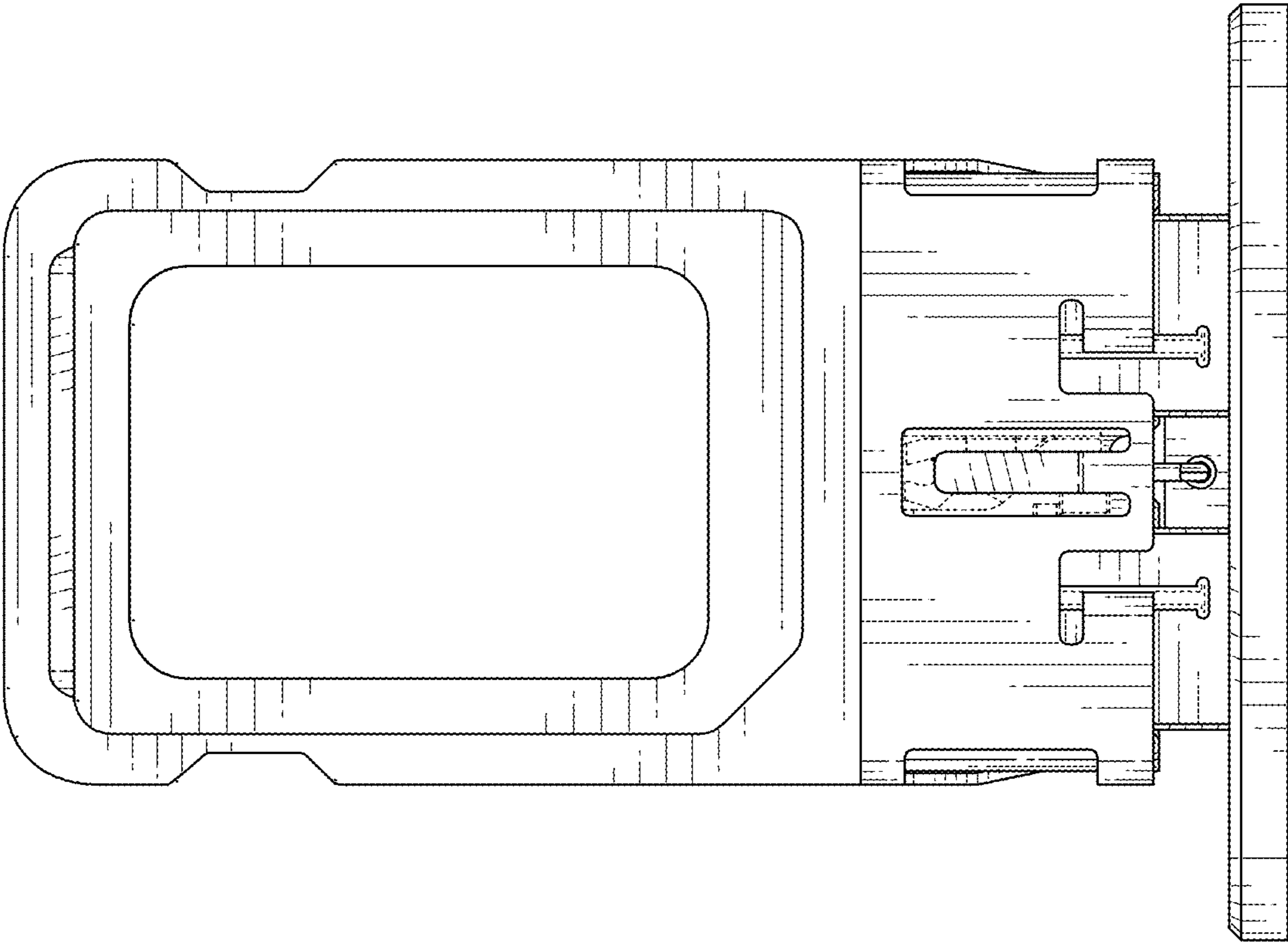


FIG. 5

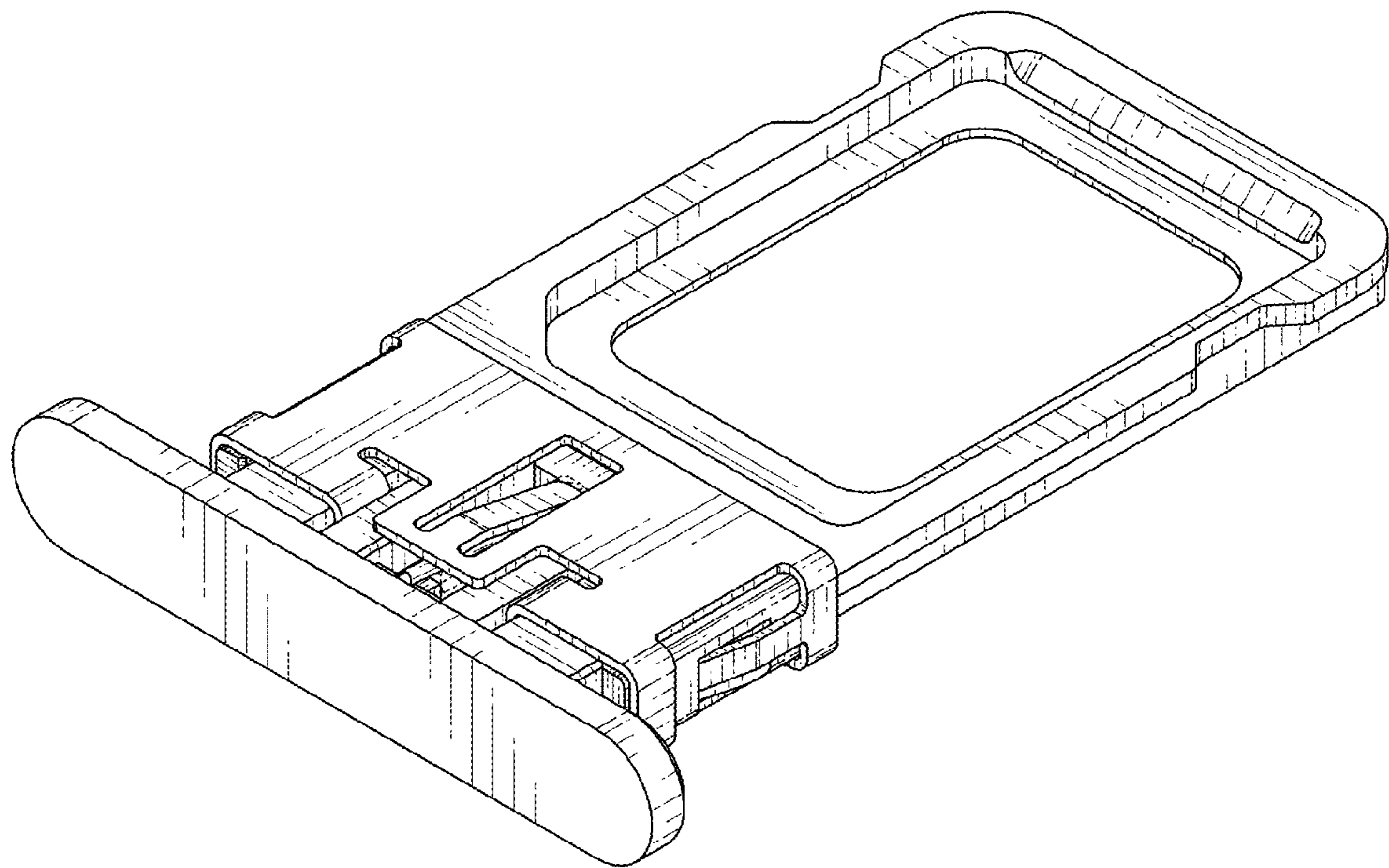


FIG. 7

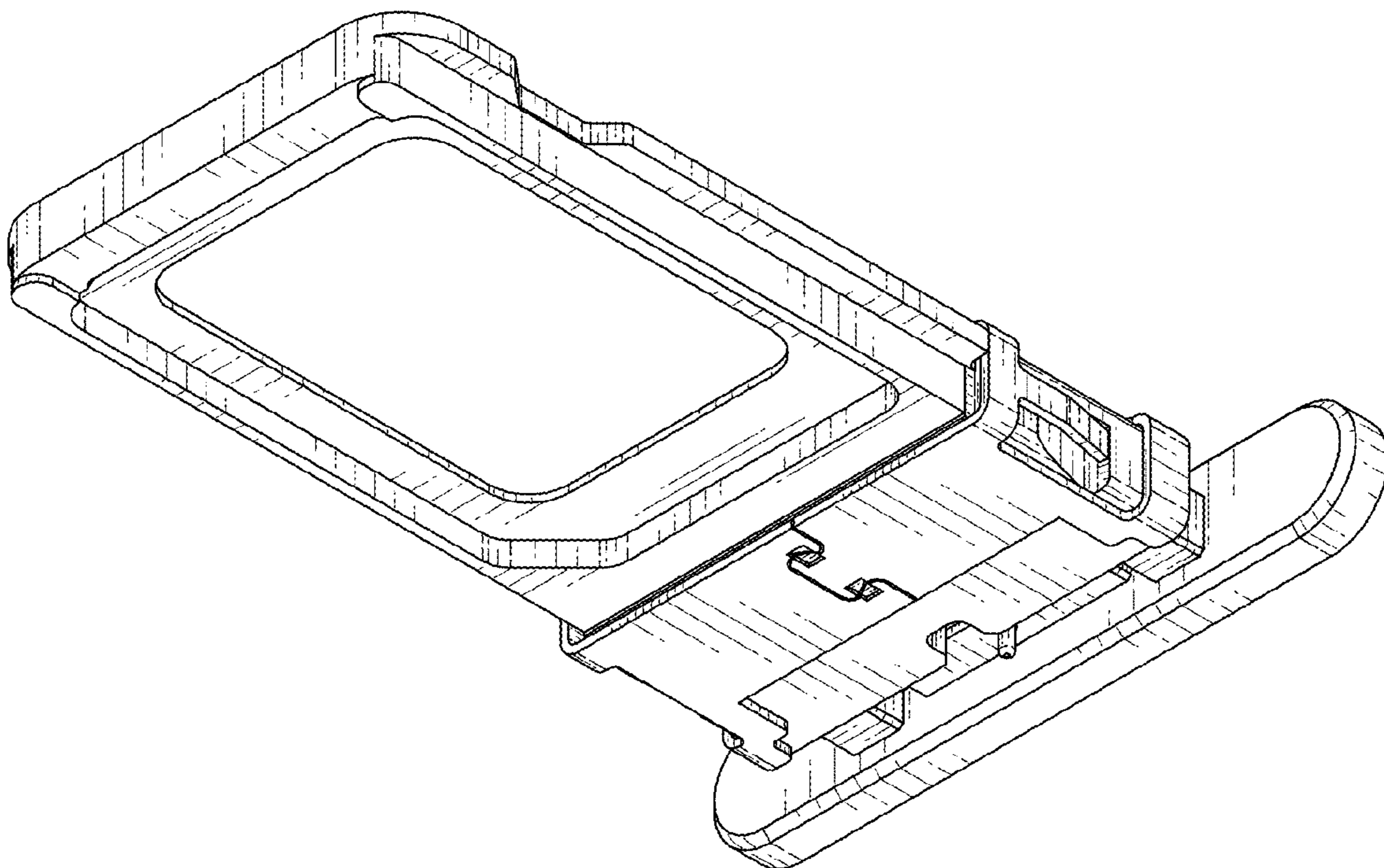


FIG. 8

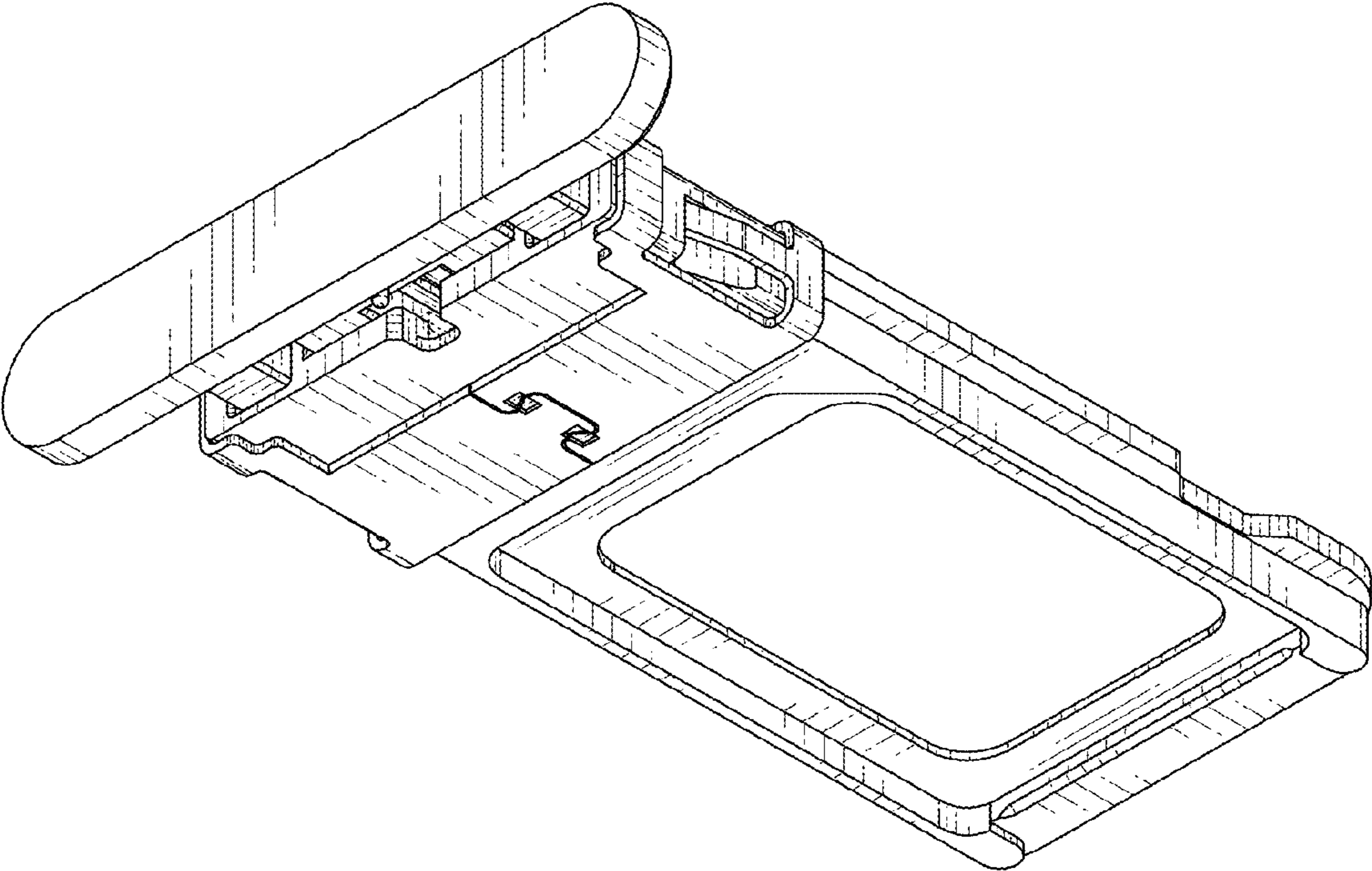


FIG. 9

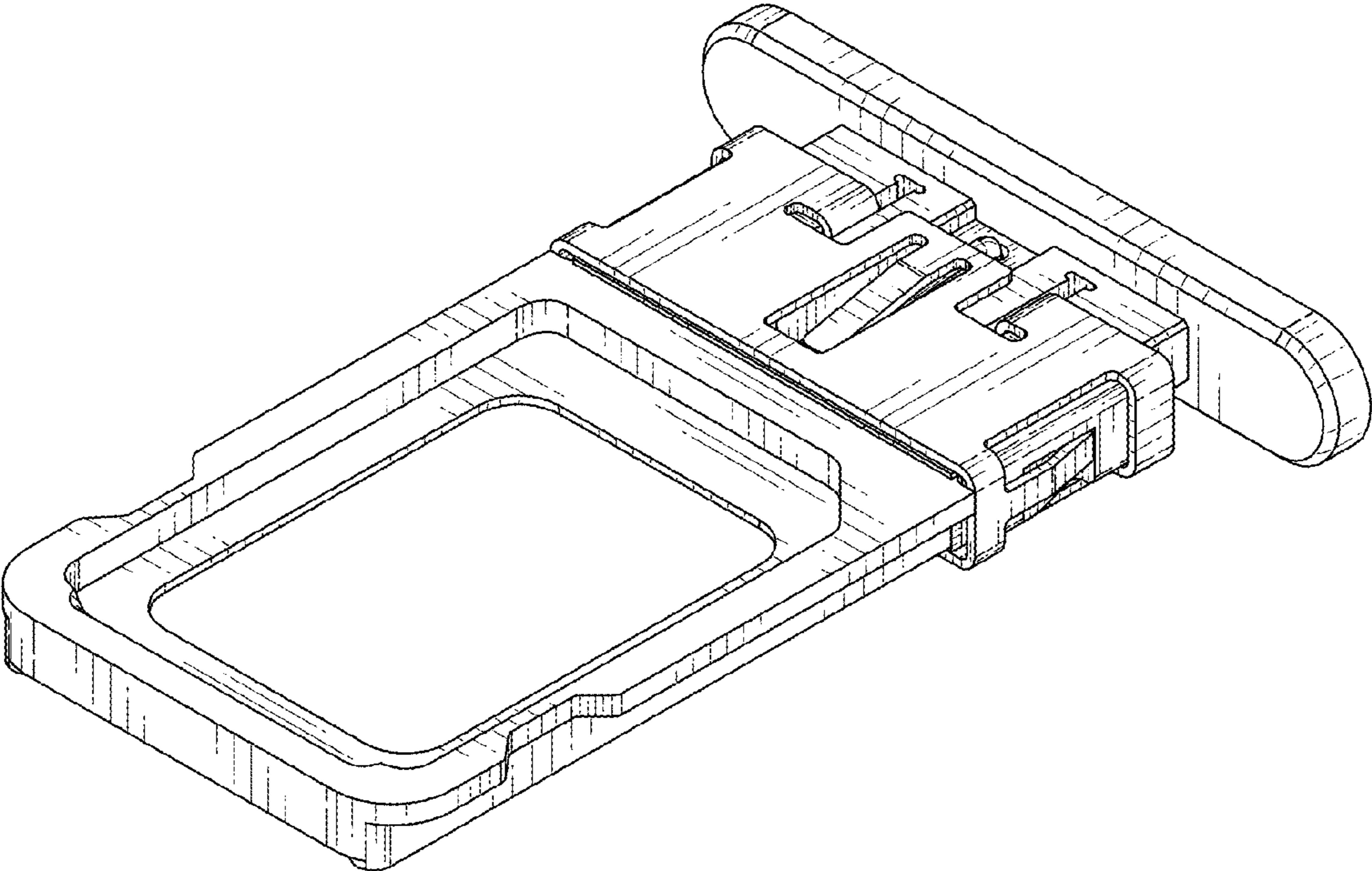


FIG. 10