



US00D909975S

(12) **United States Design Patent** (10) **Patent No.:** **US D909,975 S**
Shaeffer et al. (45) **Date of Patent:** **** Feb. 9, 2021**

(54) **WIRE HARNESS CONNECTOR**

(71) Applicant: **R&S Shaeffer Properties LLC**, Ector, TX (US)

(72) Inventors: **Ricky David Shaeffer**, Bonham, TX (US); **Jared Tanner Shaeffer**, Bonham, TX (US)

(73) Assignee: **R&S Shaeffer Properties LLC**, Ector, TX (US)

(**) Term: **15 Years**

(21) Appl. No.: **29/665,167**

(22) Filed: **Oct. 1, 2018**

(51) **LOC (13) Cl.** **13-03**

(52) **U.S. Cl.**
USPC **D13/133; D13/147**

(58) **Field of Classification Search**
USPC D13/118-123, 133, 146, 147, 149, D13/151-156, 173, 184, 199
CPC . H01R 4/10; H01R 4/70; H01R 13/00; H01R 13/621; H01R 13/71; H02S 40/22; H02S 40/34

See application file for complete search history.

(56) **References Cited**

U.S. PATENT DOCUMENTS

D86,515 S *	3/1932	Cox	D13/147
2,282,967 A *	5/1942	Keefe	H01R 13/7132 337/76
D227,255 S *	6/1973	Page et al.	D13/149
D280,501 S *	9/1985	Walters	D13/158
D312,447 S *	11/1990	Esslinger	D13/133
D456,362 S *	4/2002	Lee	D13/154
D560,610 S *	1/2008	McCoy	D13/133
D586,756 S *	2/2009	Magnuson	D13/154
D612,336 S *	3/2010	Bodwell	D13/154
D731,429 S *	6/2015	Chung	D13/132

D892,320 S *	8/2020	Milhous	D24/130
2014/0166330 A1 *	6/2014	Suzuki	B60R 16/0238 174/50
2014/0238741 A1 *	8/2014	Willing	H01R 4/70 174/84 R

(Continued)

OTHER PUBLICATIONS

Mothers 3rd Arm great helper for Parkinson's Disease, dated Aug. 3, 2009, [online], [site visited Apr. 7, 2020]. Available from Internet, URL: <https://www.youtube.com/watch?v=w1y5eEhOiy> (Year: 2009).*

(Continued)

Primary Examiner — Angela J Lee

Assistant Examiner — Shawn T Gingrich

(74) *Attorney, Agent, or Firm* — Maschoff Brennan

(57) **CLAIM**

The ornamental design for a wire harness connector, as shown and described.

DESCRIPTION

FIG. 1 is a perspective view of an embodiment of a wire harness connector;

FIG. 2 is a front view of the embodiment of the wire harness connector of FIG. 1;

FIG. 3 is a rear view of the embodiment of the wire harness connector of FIG. 1;

FIG. 4 is a first side view of the embodiment of the wire harness connector of FIG. 1;

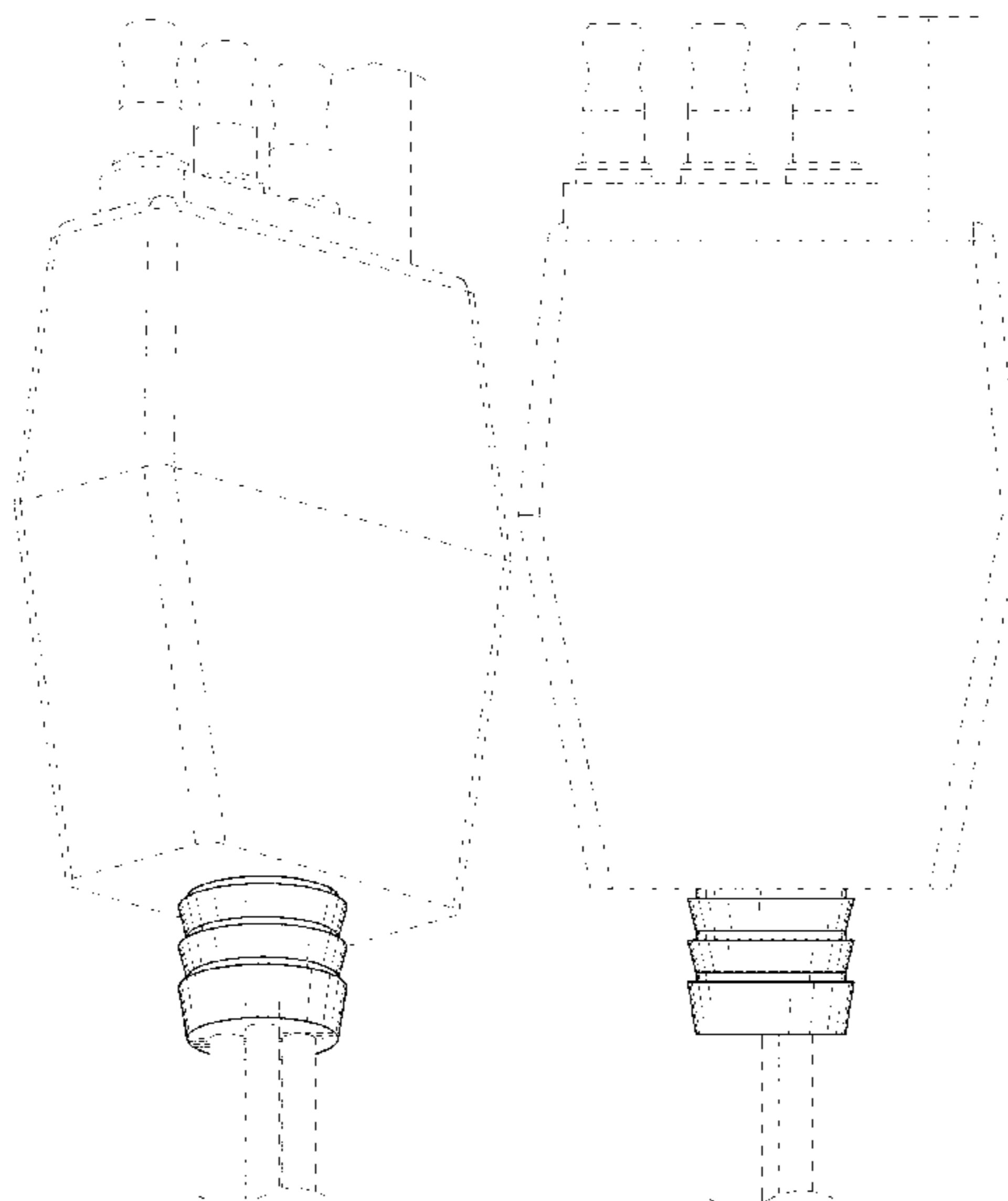
FIG. 5 is a second side view of the embodiment of the wire harness connector of FIG. 1;

FIG. 6 is a top view of the embodiment of the wire harness connector of FIG. 1; and,

FIG. 7 is a bottom view of the embodiment of the wire harness connector of FIG. 1.

The broken line portion of the drawings is included to show portions of the wire harness connector that form no part of the claimed design.

1 Claim, 5 Drawing Sheets



(56)

References Cited

U.S. PATENT DOCUMENTS

2015/0244312 A1* 8/2015 Nakaya H02J 3/385
136/246
2016/0336097 A1* 11/2016 Sakagami H02G 15/013

OTHER PUBLICATIONS

Sametop Jaws Flex Clamp Mount with Adjustable Gooseneck, dated Mar. 9, 2016, [online], [site visited Apr. 7, 2020]. Available from Internet, URL: <https://www.amazon.com/Sametop-Adjustable-Gooseneck-Compatible-Session/dp/B01CQ6PWSA> (Year: 2016).*

* cited by examiner

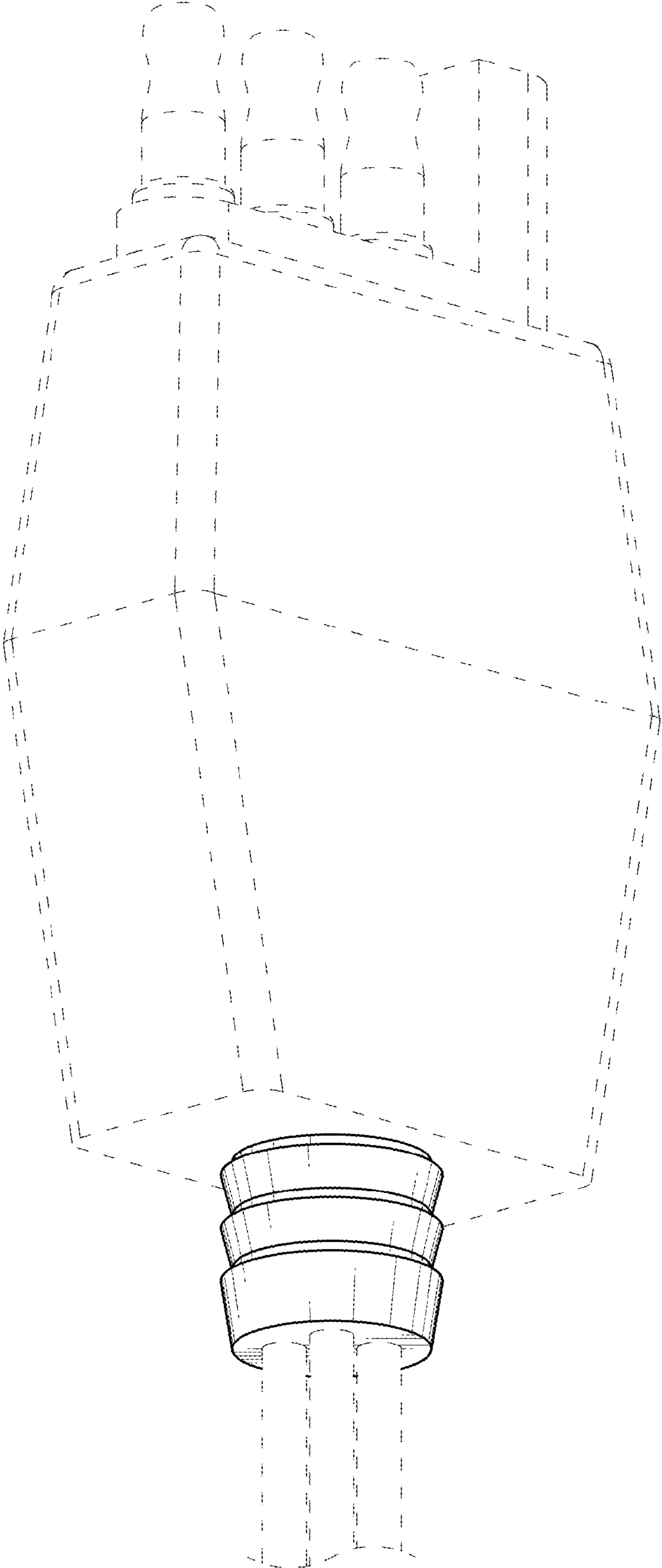


FIG. 1

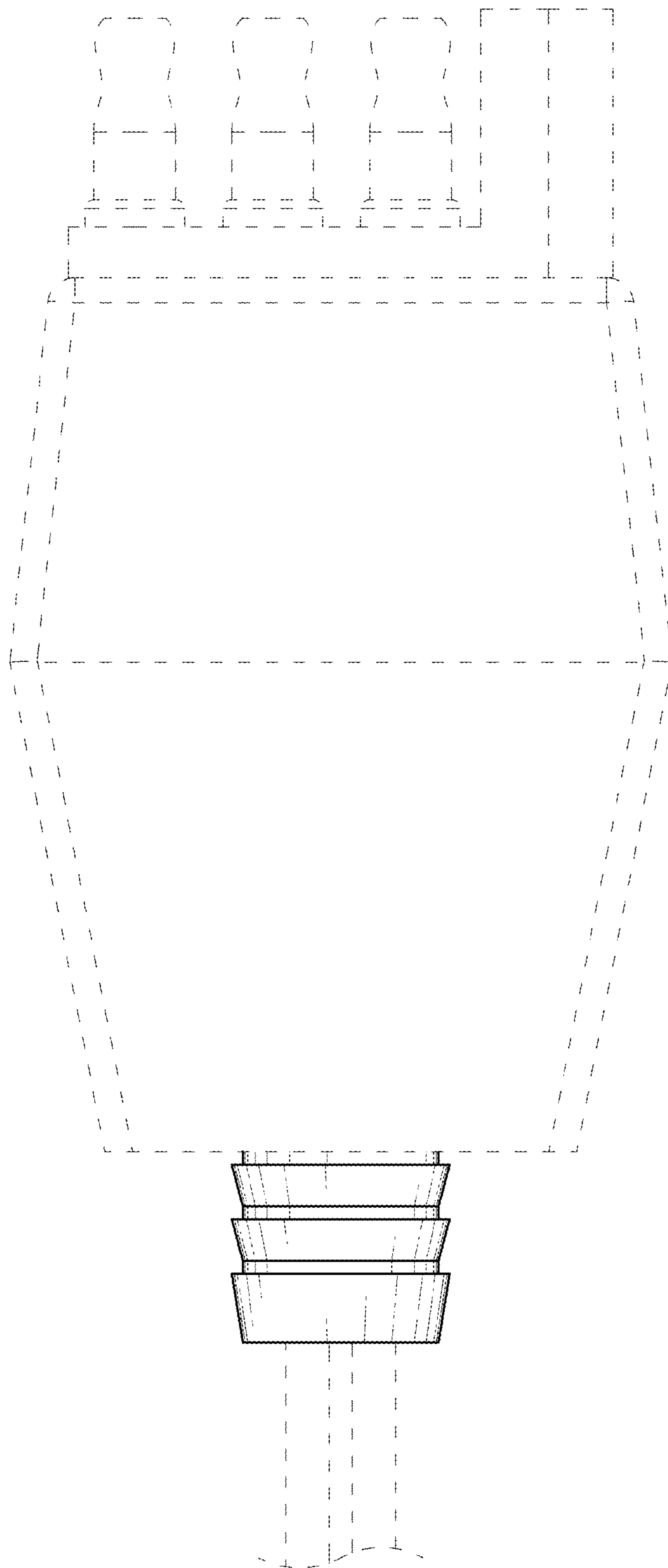


FIG. 2

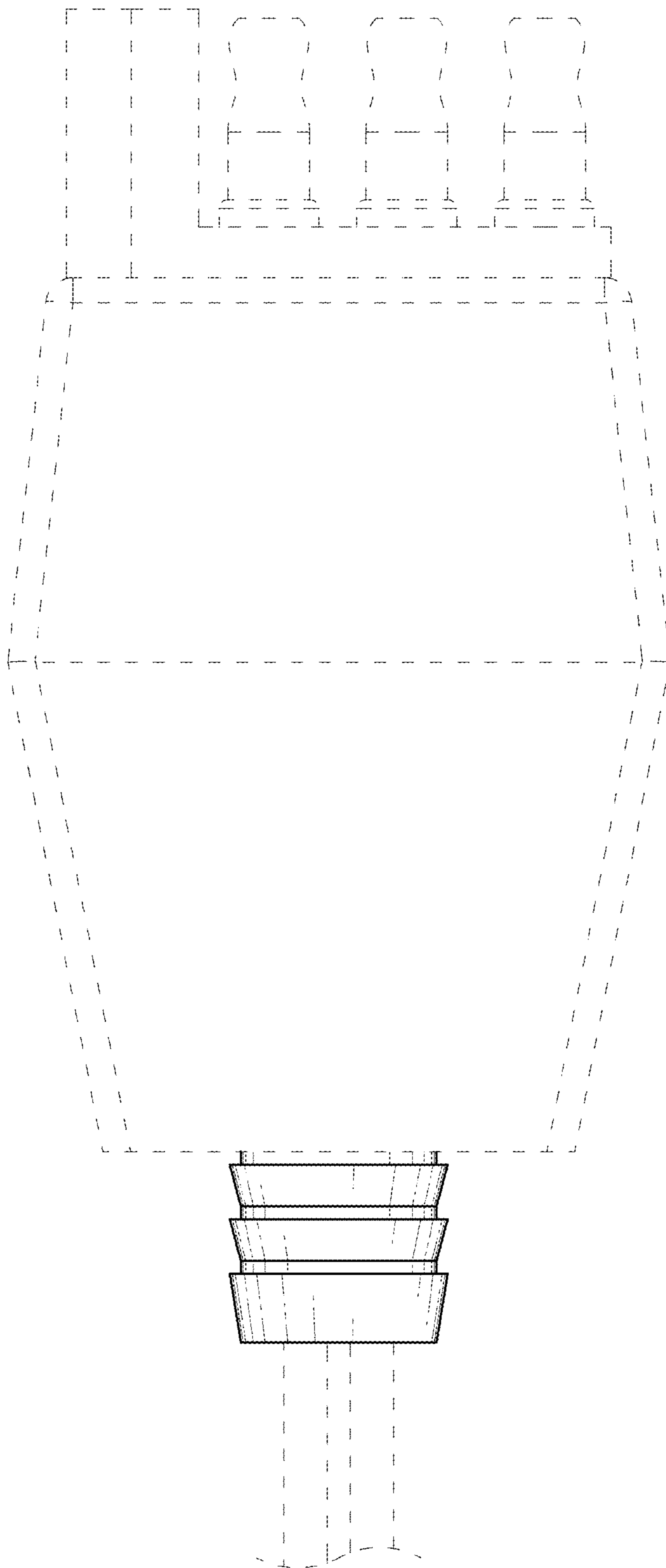


FIG. 3

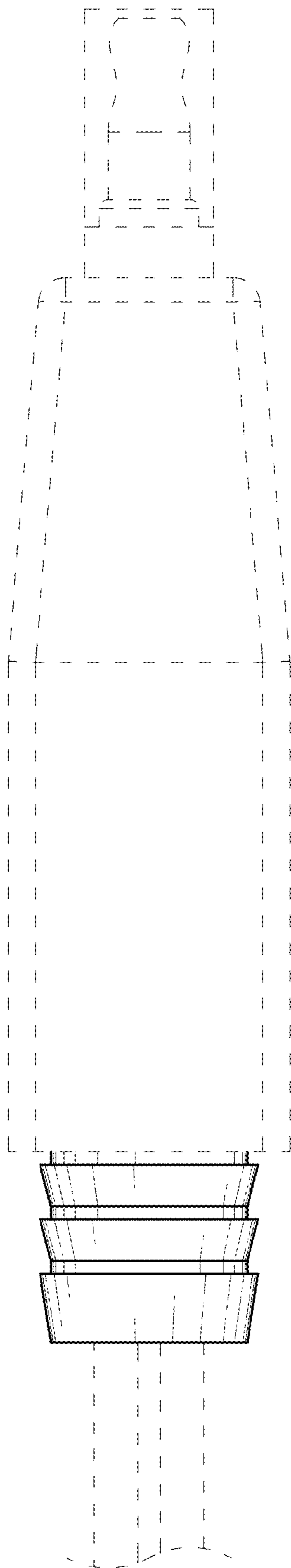


FIG. 4

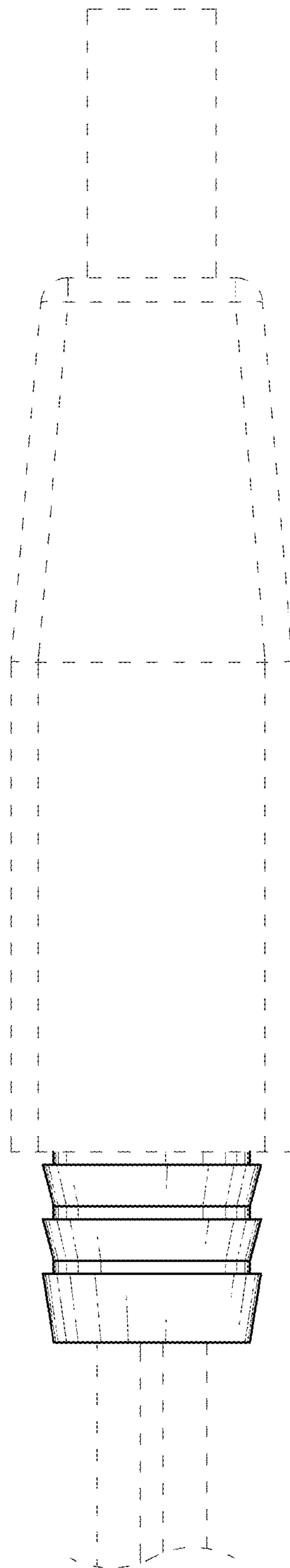


FIG. 5

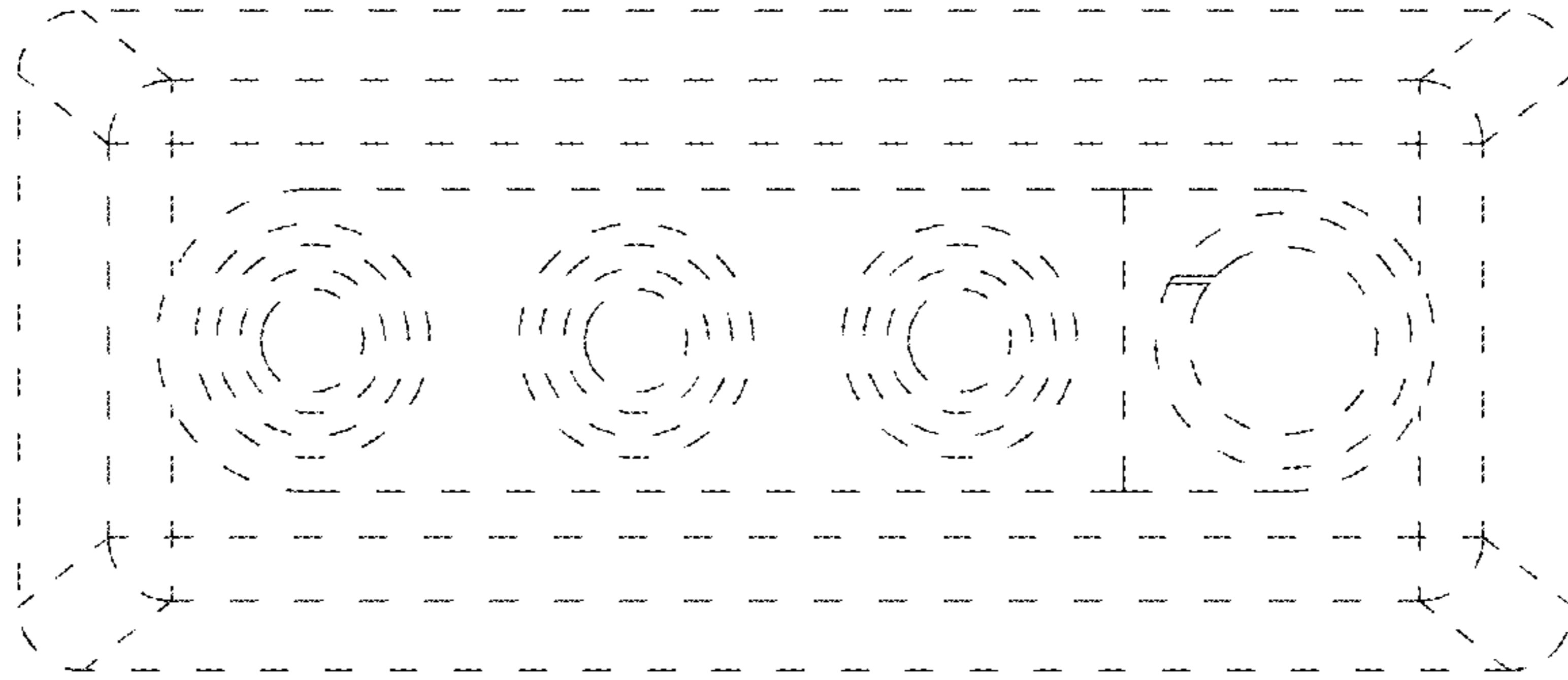


FIG. 6

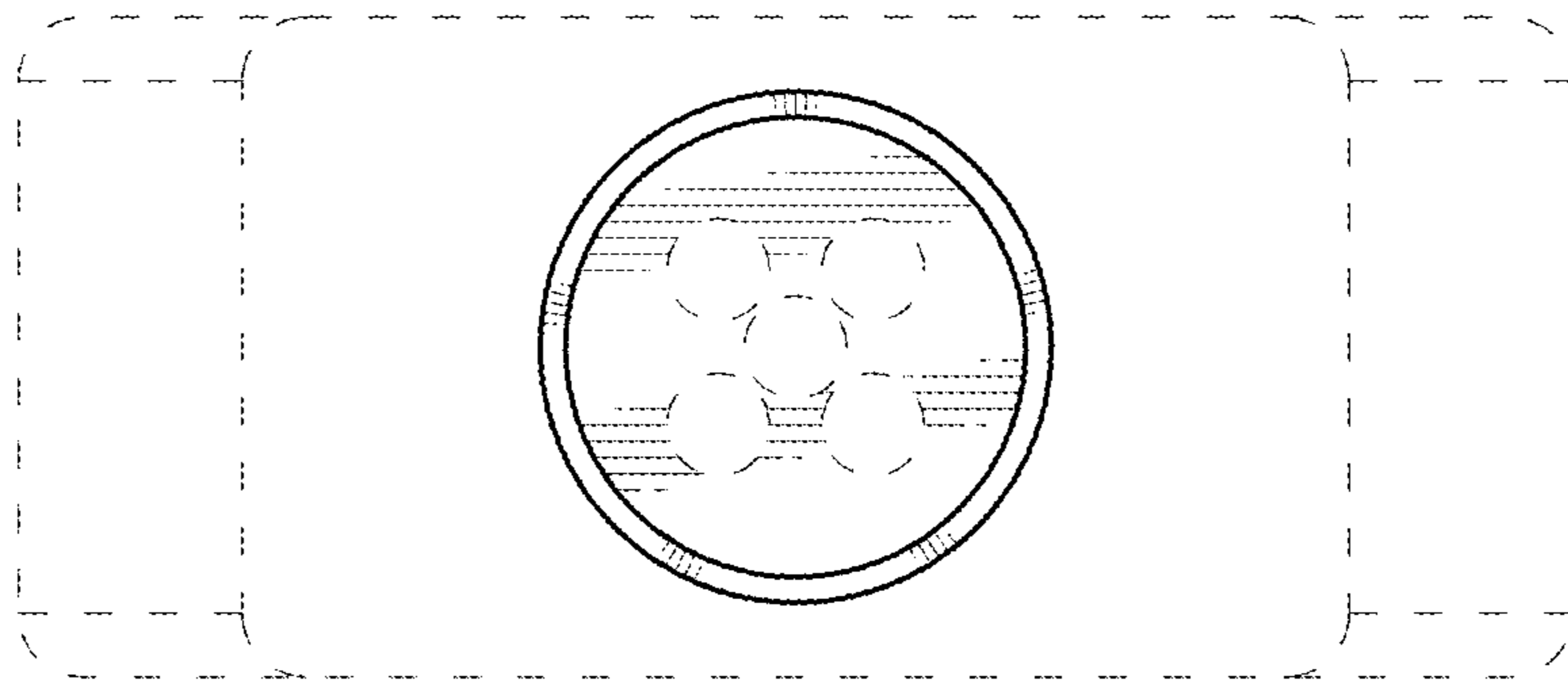


FIG. 7